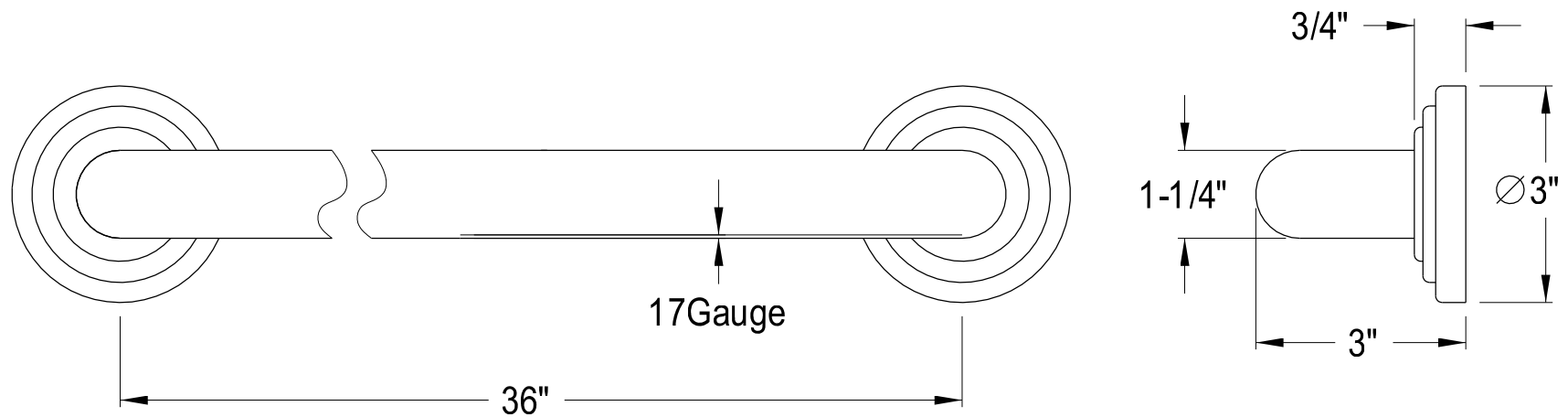


DR31 4361,2,5,8

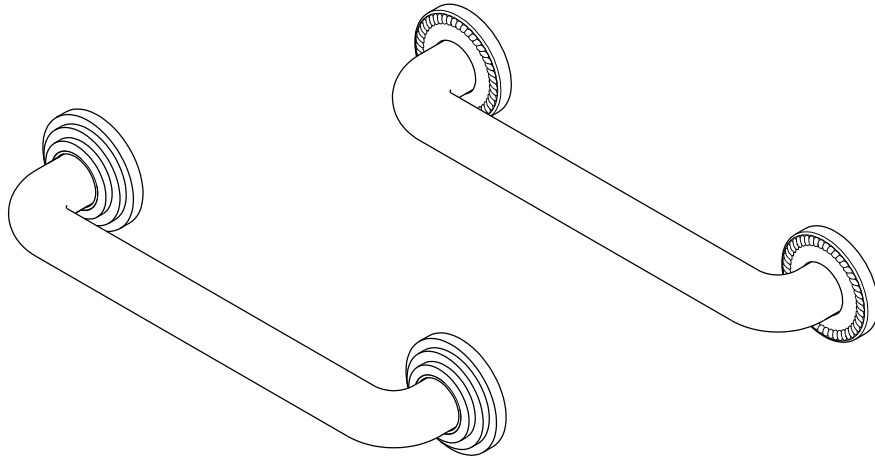
Traditional 36" Decor Grab Bar , 1-1/4" OD



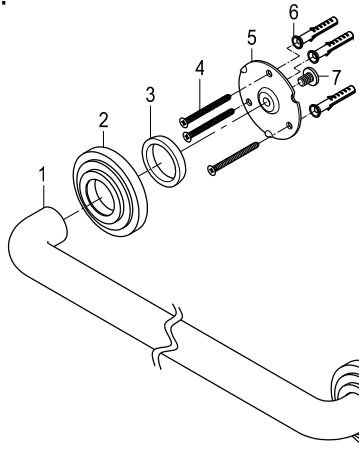
KINGSTON BRASS

THE TRADITION OF FINE BRASS

Decorative Grade Grab Bar Installation



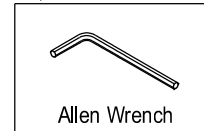
Parts:



Parts Information:

- 1) Bar: 1 Pc
- 2) Decorative Flange: 2 Pcs
- 3) Friction Washer: 2 Pcs
- 4) Mounting Screw: 6 Pcs
- 5) Mounting Plate: 2 Pcs
- 6) Anchor: 6 Pcs
- 7) Set Screw: 2 Pcs

Replacement Parts:



www.kingstonbrass.com
TOLL-FREE CUSTOMER SERVICE: 1-877-2-KBRASS
TECHNICAL SUPPORT E-mail: service@kingstonbrass.com
12775 Reservoir Street, Chino, CA91710

TOOLS REQUIRED

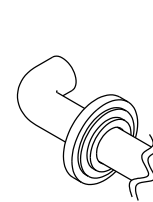
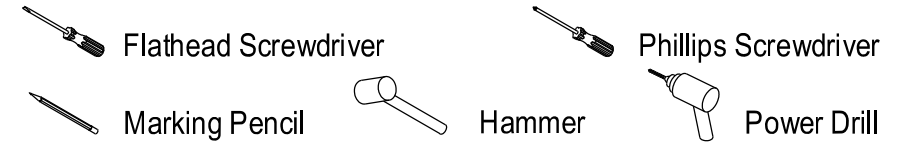


Fig. 1

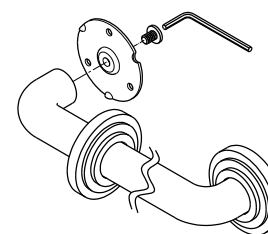


Fig. 2

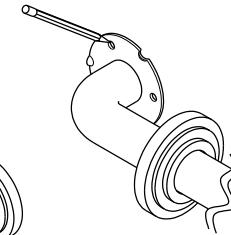


Fig. 3

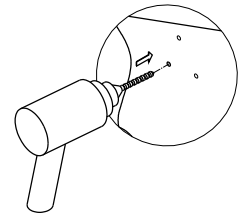


Fig. 4

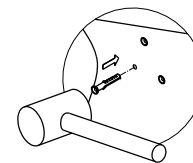


Fig. 5

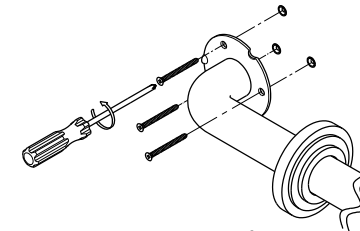


Fig. 6

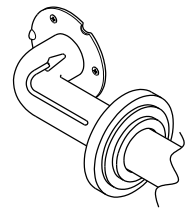


Fig. 7

Cleaning

Clean with a damp cloth only. Avoid using metal or abrasive polishes.

Installation Steps:

- Step 1. Insert Decorative flange. Make sure that underside is facing towards the end of the grab bar. (Fig.1)
- Step 2. Attach mounting plate and secure by threading Allen bolt (included). (Fig.2)
- Step 3. Place grab bar at desired location and mark the location of the holes with a pencil or marker. Make sure that location of grab bar is structurally safe to support weight; if necessary, reinforce by installing a brace inside the wall. (Fig. 3)
- Step 4. Drill holes, insert anchors (included) and tap until flush with the wall. (Fig.4&5)
- Step 5. Screw grab bar onto anchors. (Fig.6)
- Step 6. Snap Cover flange securely onto mounting plate. (Fig.7)