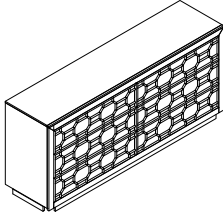
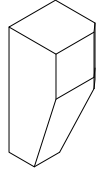
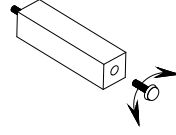
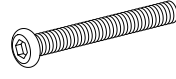

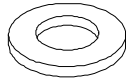

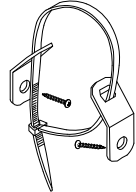
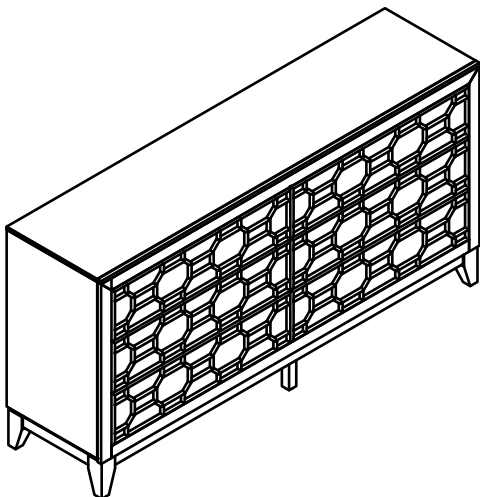


ASSEMBLY INSTRUCTION

DRESSER

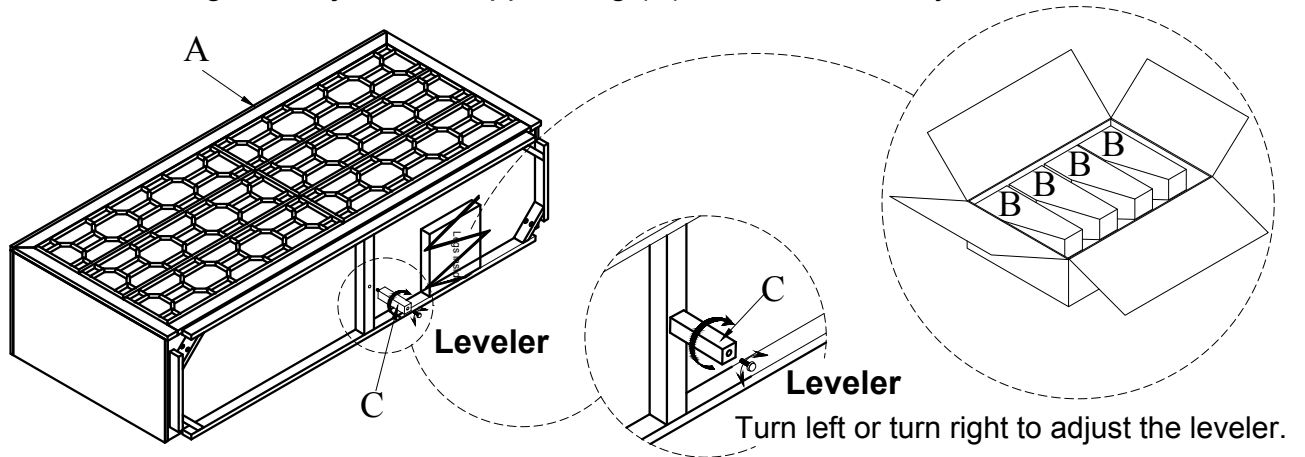
<p>A Dresser</p>  <p>1 PC</p>	<p>B Leg (Under Dresser Box)</p>  <p>4 PCS</p>	<p>C Support Leg</p>  <p>1 PC</p>	<p>D Bolt 1/4" * 57mm</p>  <p>8 PCS</p>
<p>E Spring Washer 1/4" * 13mm</p>  <p>8 PCS</p>	<p>F Flat Washer 1/4" * 19mm</p>  <p>8 PCS</p>	<p>G Allen Wrench 4mm</p>  <p>1 PC</p>	<p>H Anti-Tipping</p>  <p>1 SET</p>



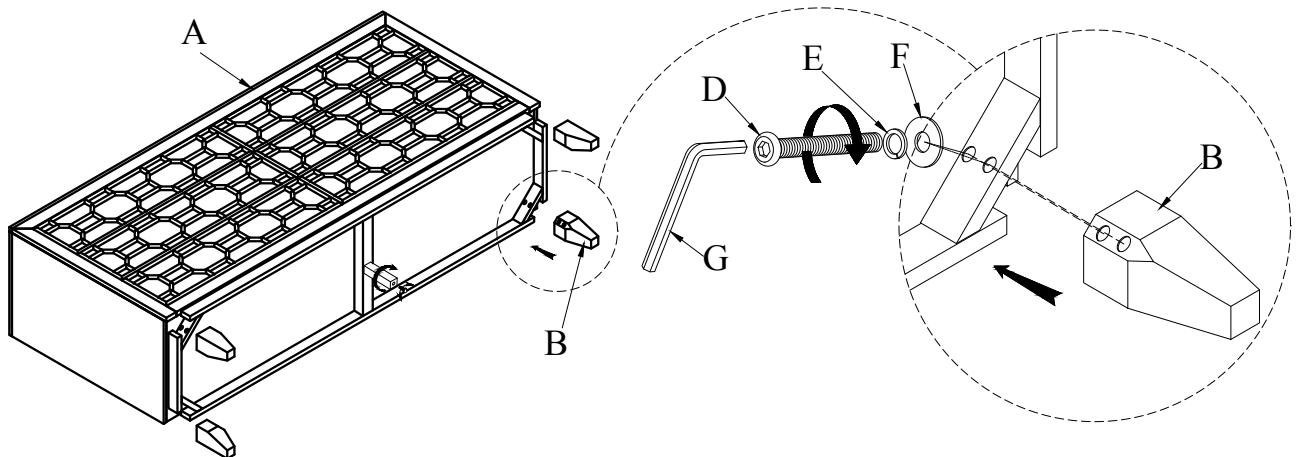
This page lists all the contents included in the box. Please take the time to identify the hardware as well as the individual components to this product. As you unpack and prepare for assembly, place the contents on a carpeted or padded area to protect them from damage.

1

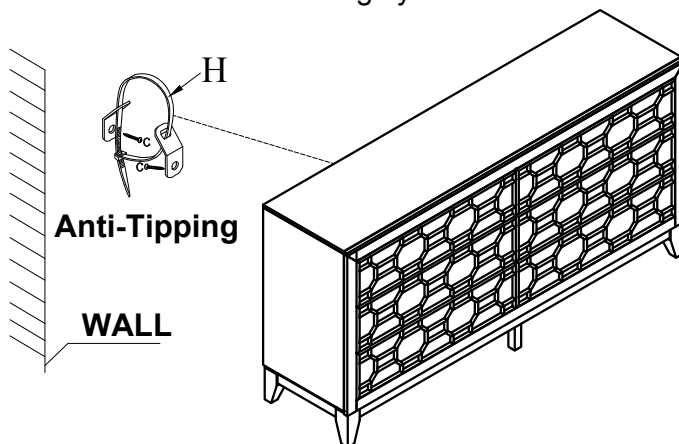
Tilt down to ground and take out the box of Leg (B) from bottom of Dresser (A). Turn left or turn right to adjust the Support Leg (C), do the same way for leveler.

**2**

Attached the Leg (B) to the Dresser (A) use Bolt (D), Spring Washer (E) and Flat Washer (F) by Allen Wrench (G).

**3**

* Remark : there is a tip restraint kit provided on the back of this product. Please read the instruction thoroughly and install immediately when placed in home.



Cleaning & Care

Treat surface with care. Surface is resistant to scratches but is not scratch resistant. Clean surface with a dry or damp soft cloth. Do not use abrasive cleaners. Hardware may loosen over time. Periodically check that all connections are tight.