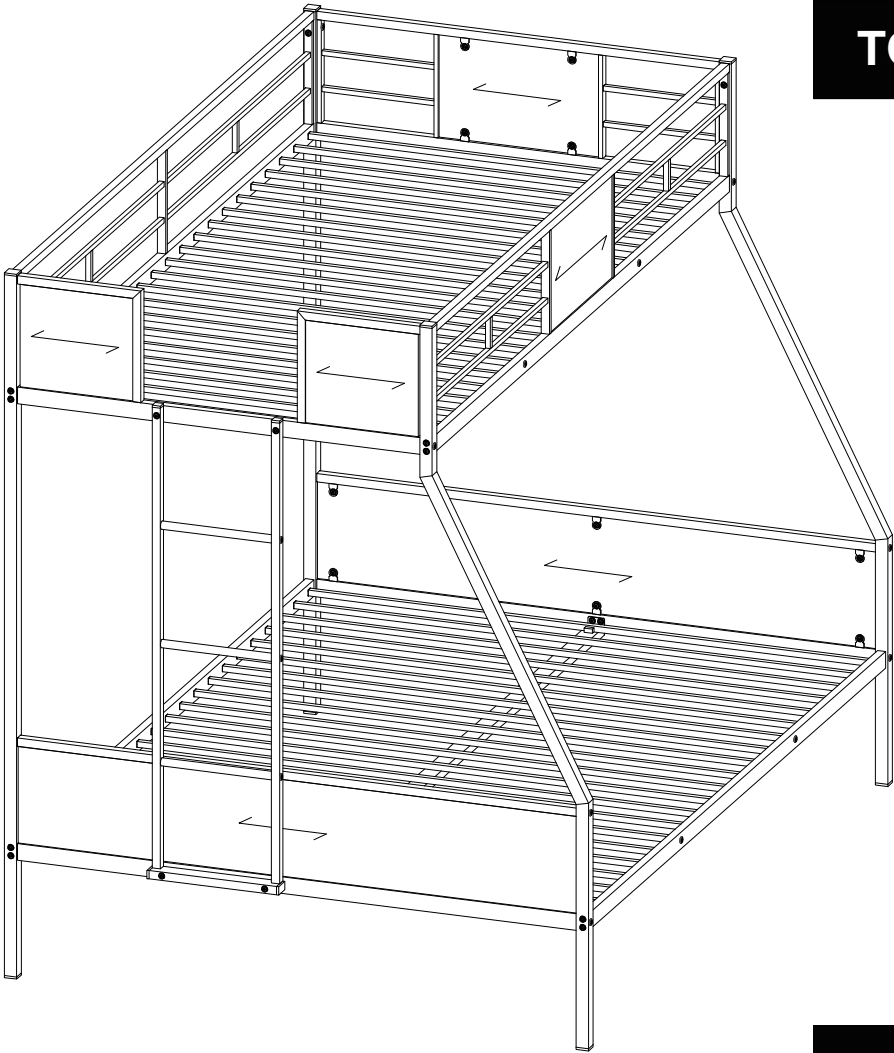


ASSEMBLY INSTRUCTIONS



TOOLS REQUIRED



Allen Wrench
(included)



2- People

ASSEMBLY RATING



EASY —————> DIFICULT

The Assembly Rating is a 5-point system showing the level of effort needed to assemble a speccific product.



CHECK BEFORE STARTING

Are you missing anything?

Double check all parts, hardware and accessories listed are all accounted for.

Check out our Quick Tips!

We recommend reviewing the pre-assembly handouts. Even experts need a refresher now and then!

Should we send any replacements?

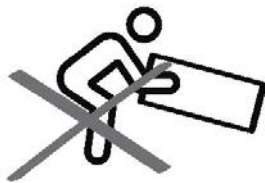
Are there any irregularities or flaws in the parts? We can send replacement!

Prep Time!

Please review the assembly instructions and all diagrams prior to assembling.

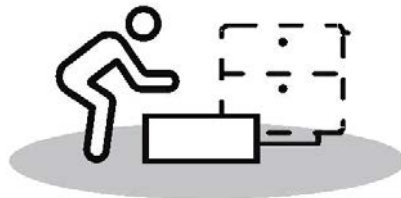
PRE ASSEMBLY INTRODUCTION

We understand building ready-to-assemble furniture can be a challenging experience for some. To help avoid confusion, we have providing some helpful tips that may speed up the process.



Teamwork

ALWAYS have at least two people to help with trasporting and assembling the product to avoid potential injury and/or damage.



Suitable Location

Assembling near the area of the intended location is highly recommended.



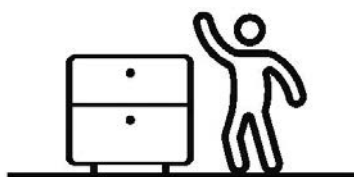
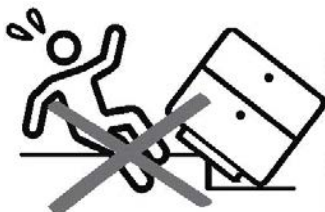
Sufficient Space

Make sure you have enough space to move around during the assembly.



Avoid Scratches

Use cardboard, blankets or a carpeted area while assembling furniture to prevent scratches and damages.



Flat Surface

Make sure the furniture rests on a flat and level surface with each leg evenly touching the floor.

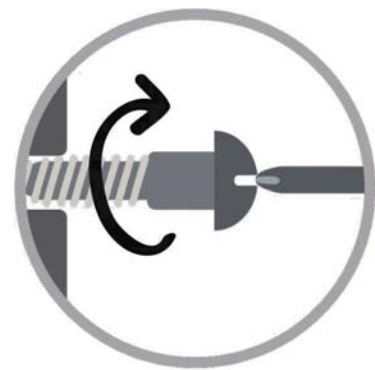
ASSEMBLE AND CARE ADVICE



FAILURE TO FOLLOW THE GUIDELINES BELOW MAY RESULT IN INJURY AND/OR PROPERTY DAMAGE.



Position each part correctly and insert screws or bolts into their respective holes.



Turn clockwise to tighten and only tighten when step is completed or when instructed to do so.



Use the appropriate hand tools or power tools for assembly. Select steps, such as tightening screws and/or bolts, may require hand tools to avoid causing damage during assembly.



Save the instructions and store any supplied tools for later maintenance.



After two weeks, check and tighten any loose hardware and repeat again every six months thereafter.





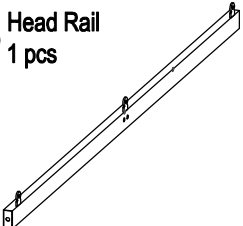
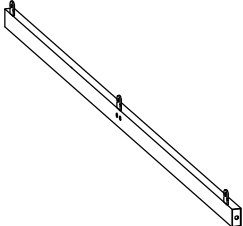
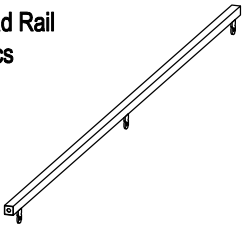
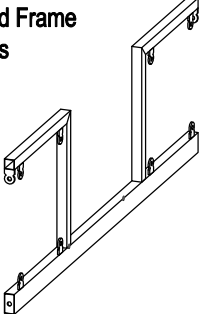
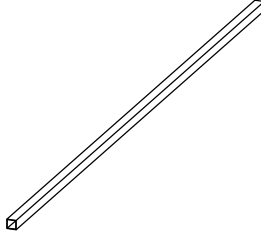
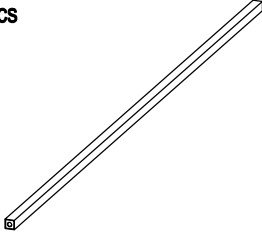
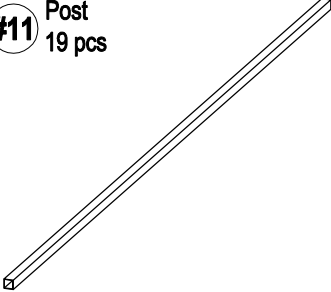
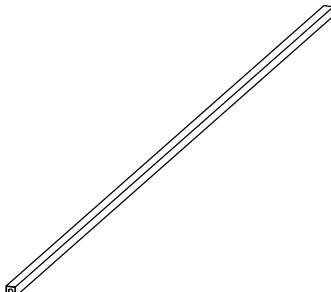
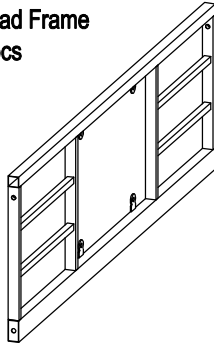
IT IS USER'S RESPONSIBILITY TO MAINTAIN THE FURNITURE. THE HARDWARE MAY LOOSEN OVER TIME AND MAY CAUSE THE FURNITURE TO BE WOBBLY AND UNABLE TO SUPPORT ITS INTENDED WEIGHT CAPACITY. THIS MAY LEAD TO COLLAPSE AND MAY CAUSE SERIOUS INJURY.

TWIN/FULL METAL BUNKBED



- Please keep instructions for future reference.
- Check the quantity and irregularity of parts and hardware before you start.

PARTS

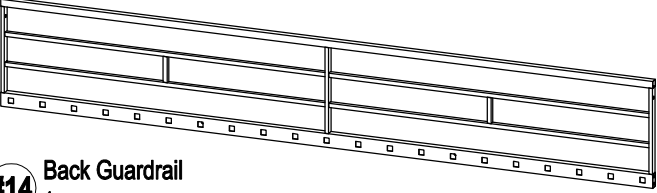
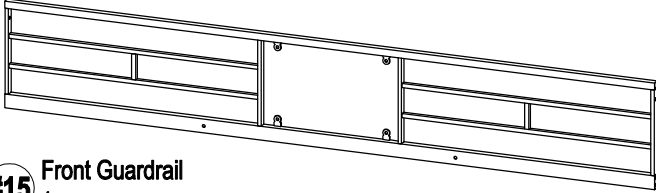
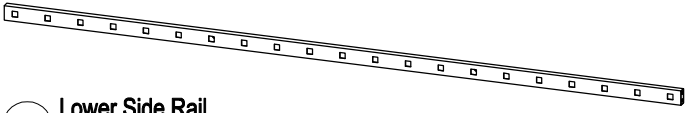
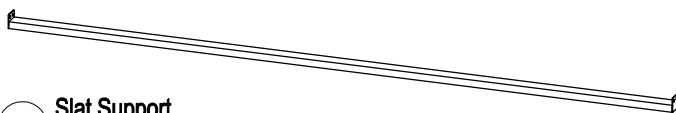
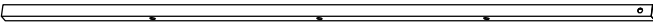

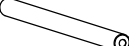

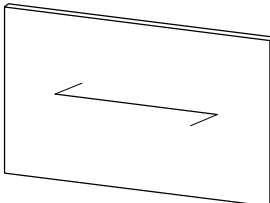
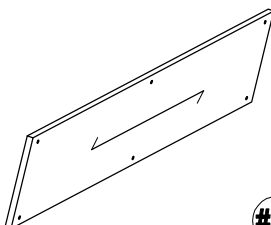
 <p>#1 Post 1 pcs</p>	 <p>#2 Post 1 pcs</p>	
 <p>#3 Post 1 pcs</p>	 <p>#4 Post 1 pcs</p>	
 <p>#5 Head Rail 1 pcs</p>	 <p>#6 Head Rail 1 pcs</p>	 <p>#7 Head Rail 2 pcs</p>
 <p>#8 Head Frame 1 pcs</p>	 <p>#9 Slat 19 pcs</p>	 <p>#10 Slat 2 pcs</p>
 <p>#11 Post 19 pcs</p>	 <p>#12 Post 2 pcs</p>	 <p>#13 Head Frame 1 pcs</p>

TWIN/FULL METAL BUNKBED

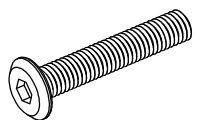


• Please keep instructions for future reference.
 • Check the quantity and irregularity of parts and hardware before you start.

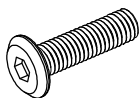
PARTS

 <p>#14 Back Guardrail 1 pcs</p>	 <p>#15 Front Guardrail 1 pcs</p>	
 <p>#16 Lower Side Rail 2 pcs</p>	 <p>#17 Slat Support 1 pcs</p>	
 <p>#18 Ladder Post 2 pcs</p>	 <p>#19 Ladder Step 1 pcs</p>	 <p>#20 Ladder Step 3 pcs</p>
 <p>#21 Plank 2 pcs</p>	 <p>#22 Plank 2 pcs</p>	 <p>#23 Plank 2 pcs</p>

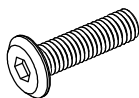
HAREWARE



#A Bolt $\frac{1}{4}$ "x50
30 Pcs



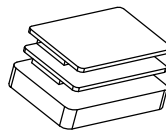
#B Bolt $\frac{1}{4}$ "x40
2 Pcs



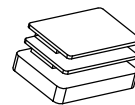
#C Bolt $\frac{1}{4}$ "x30
14 Pcs



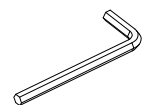
#D Bolt $\frac{1}{4}$ "x12
42 Pcs



#E Cap 30x30
8 Pcs



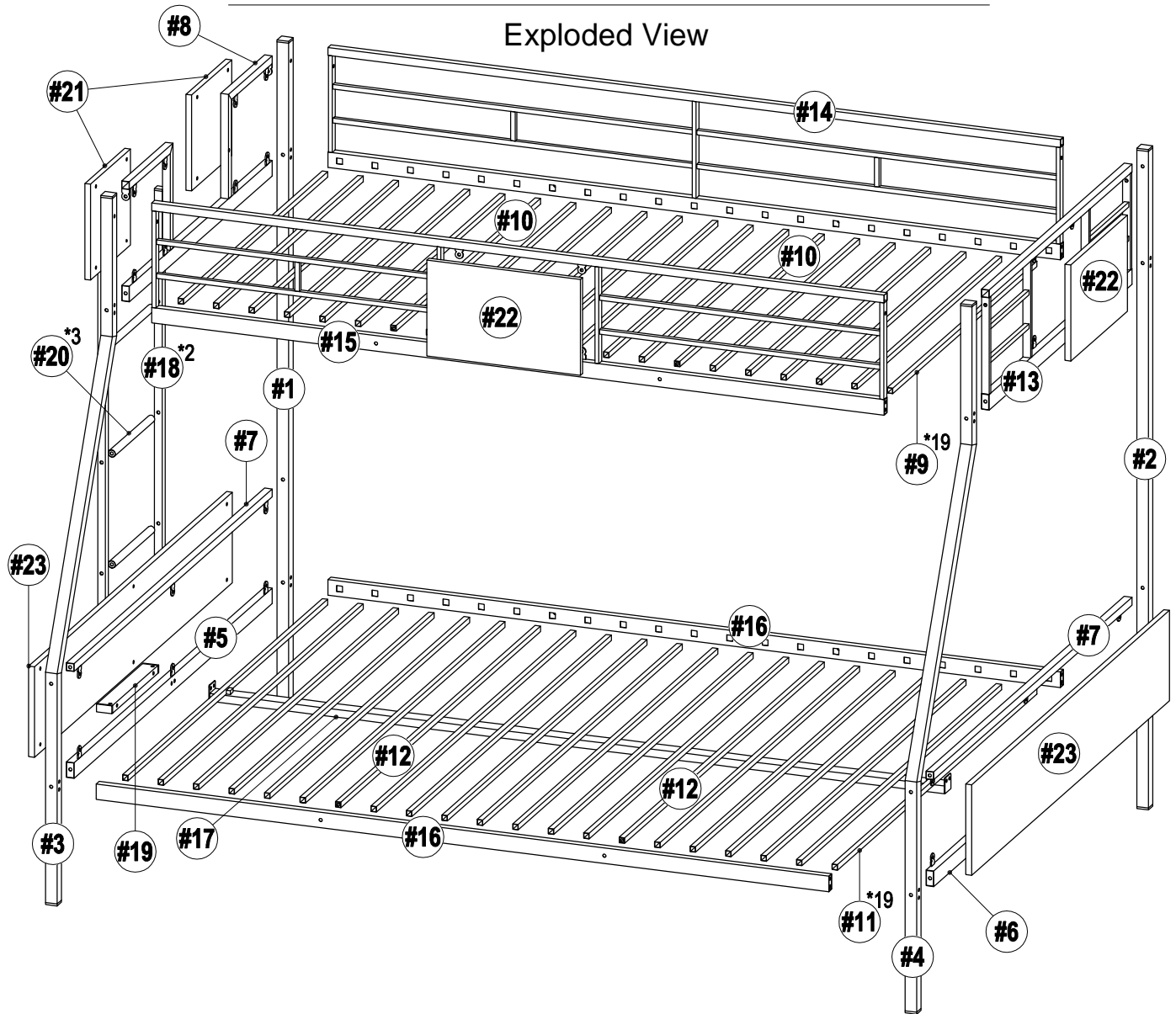
#F Cap 20x20
2 Pcs



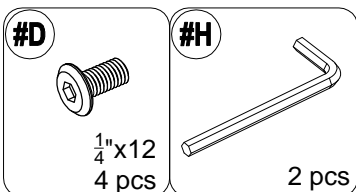
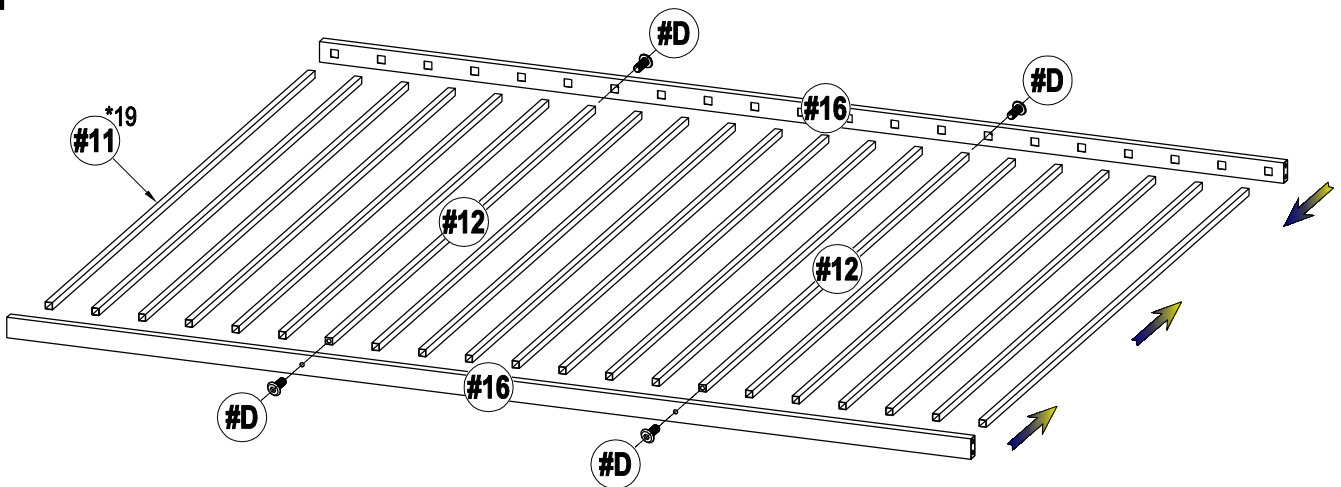
#G Allen Wrench
2 Pcs

ASSEMBLY INSTRUCTIONS

Exploded View

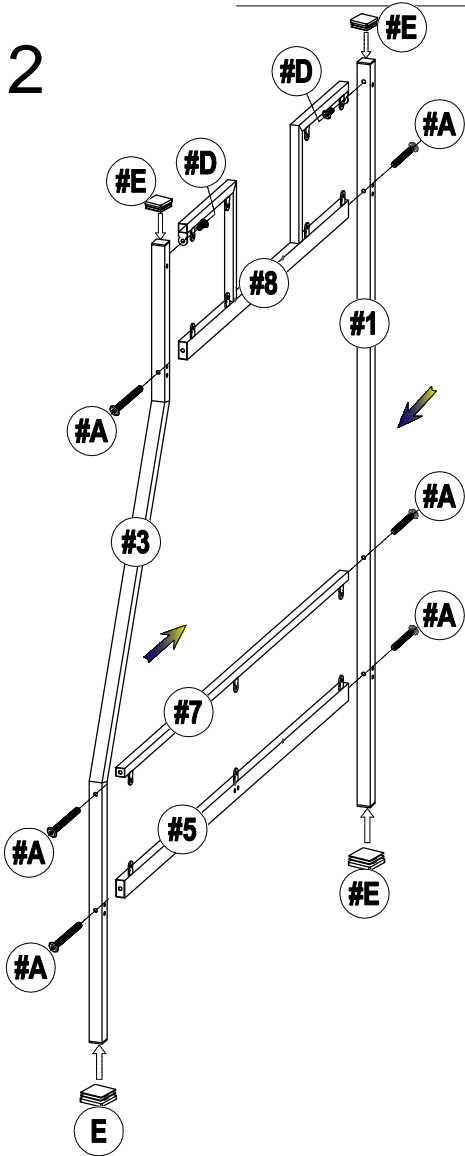


1

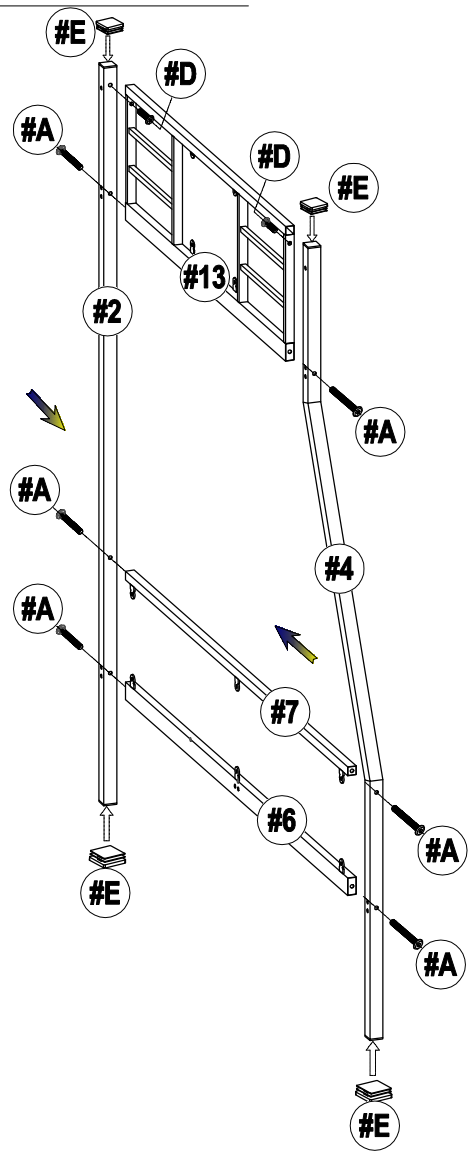


ASSEMBLY INSTRUCTIONS

2

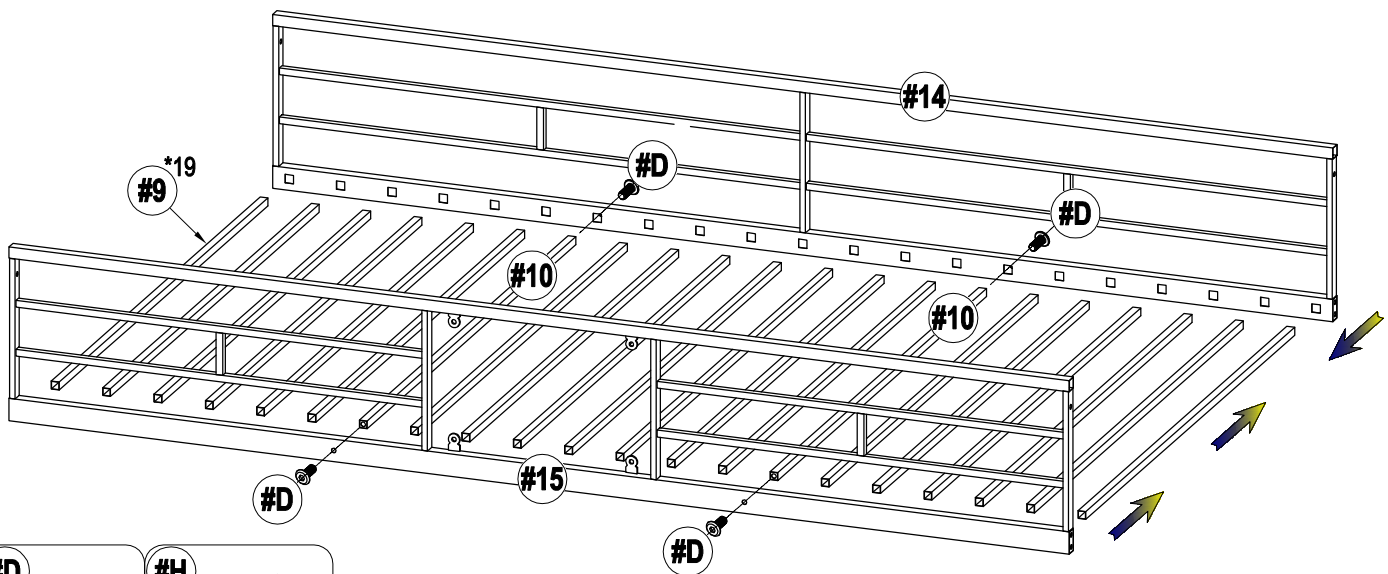


3



#D 1/4"x12 2 pcs	#D 1/4"x12 2 pcs
#A 1/4"x50 6 pcs	#A 1/4"x50 6 pcs
#E Cap 30x30 4 pcs	#E Cap 30x30 4 pcs
#H 2 pcs	#H 2 pcs

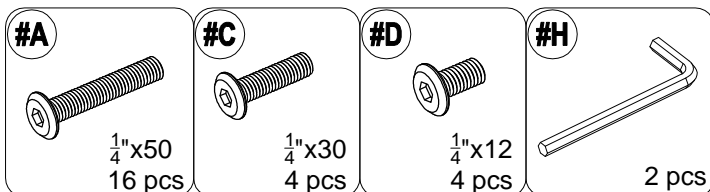
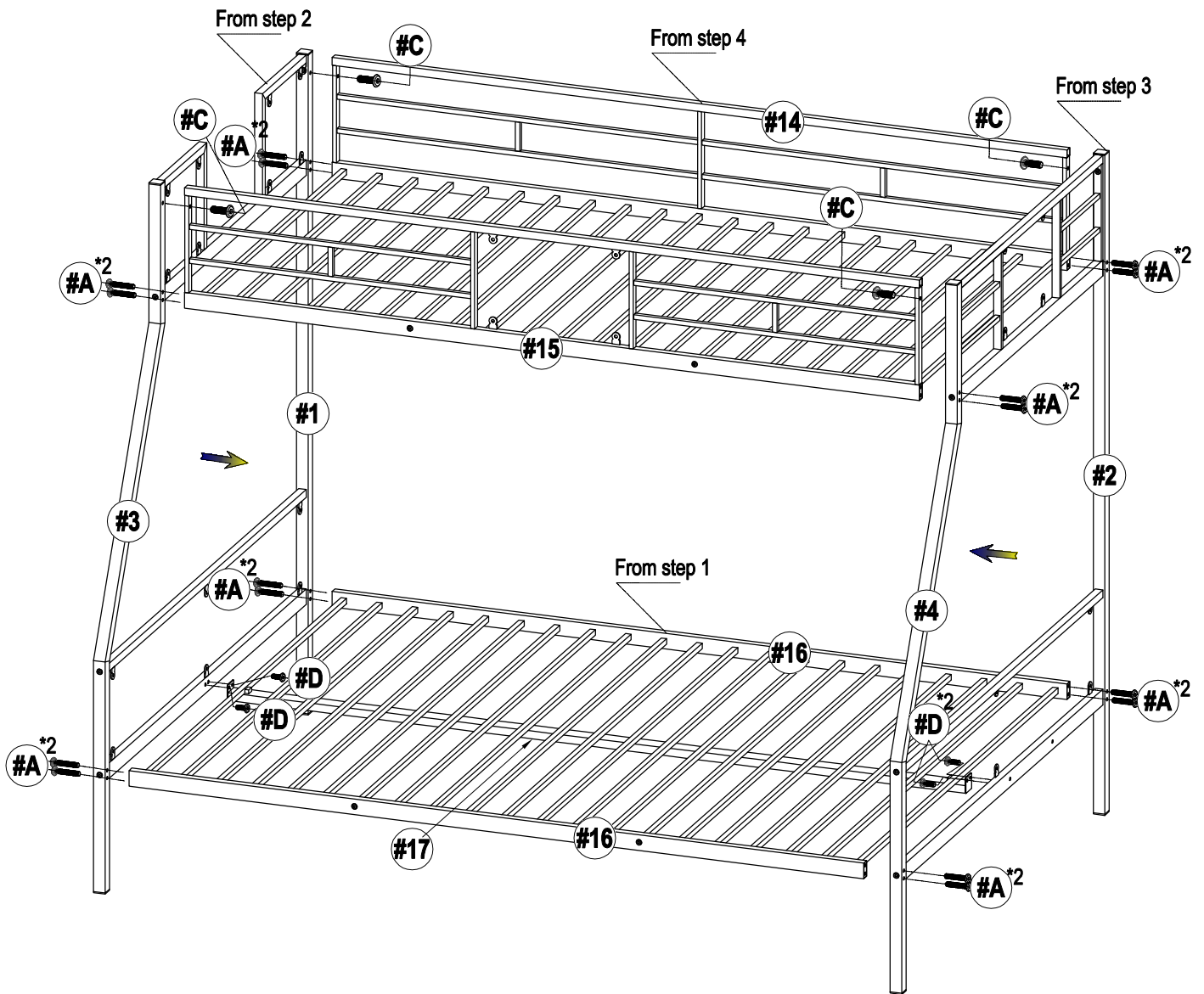
4



#D 1/4"x12 4 pcs	#H 2 pcs
----------------------------	-----------------

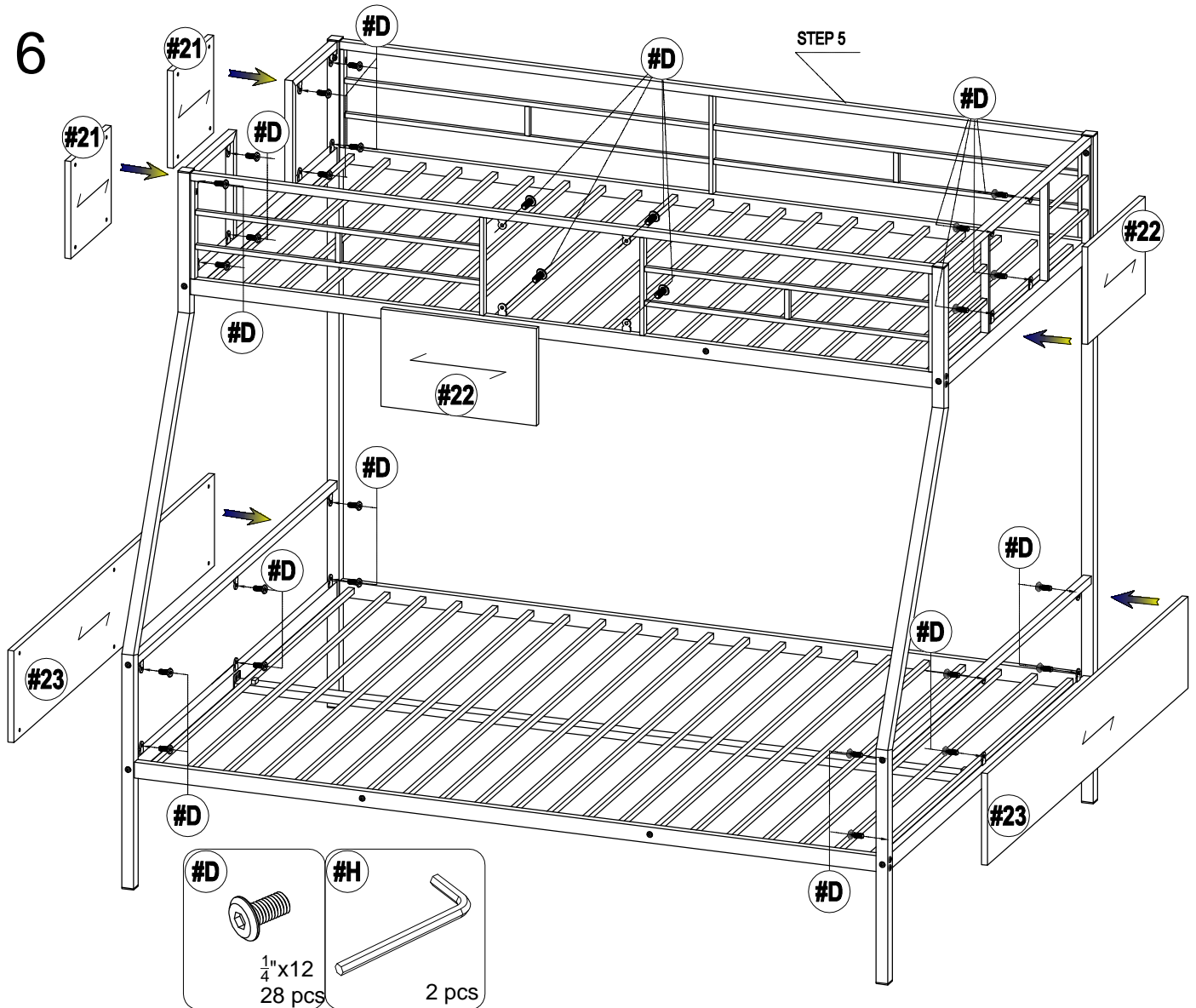
ASSEMBLY INSTRUCTIONS

5

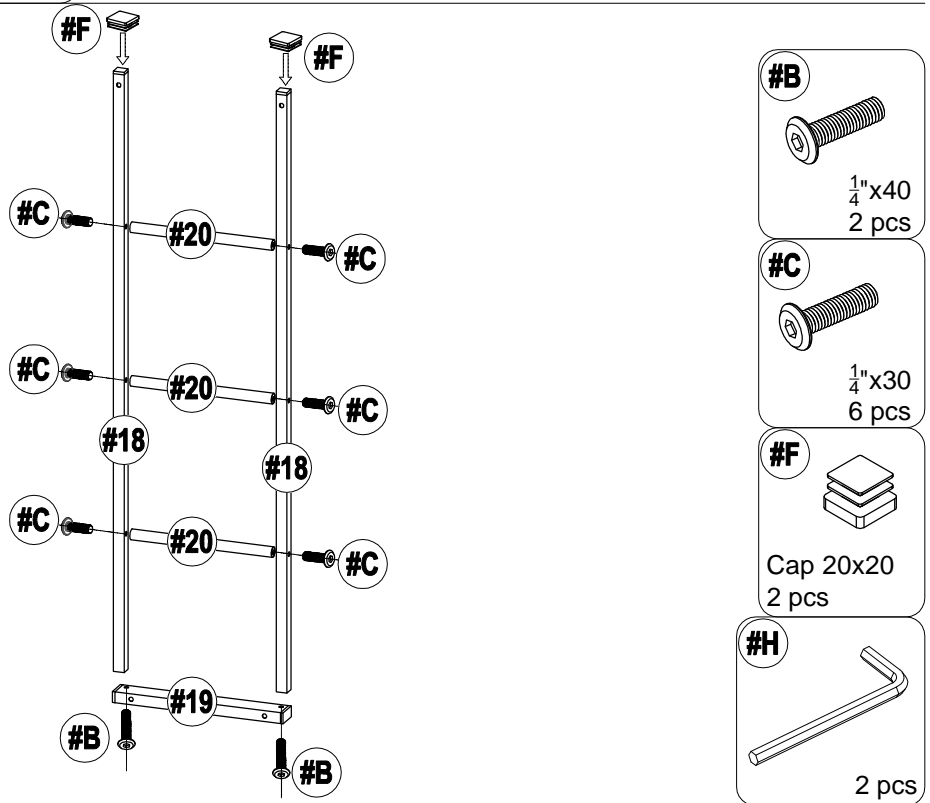


ASSEMBLY INSTRUCTIONS

6

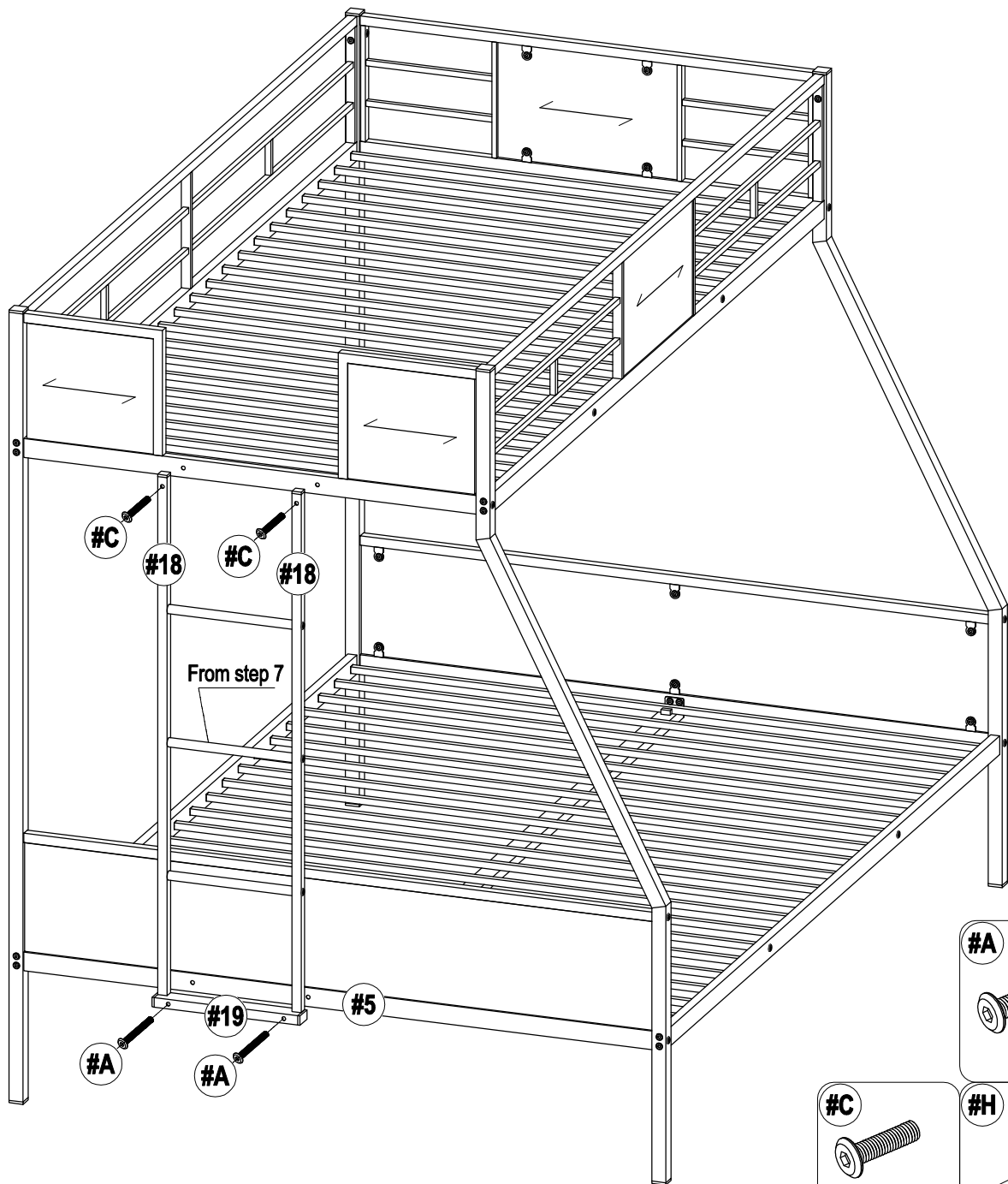


7



ASSEMBLY INSTRUCTIONS

8



ASSEMBLY COMPLETED

Please ensure the furniture rests on an even and flat surface. If the product wobbles or feels loose, double-check all bolts and/or screws are properly tightened and secured.



Keep this handy!

Please retain this instruction manual and any order-related information for future reference.



Lift, don't drag!

To avoid damage to product please always LIFT the product when transporting or adjusting the placement.

This product is intended for RESIDENTIAL USE ONLY and not for commercial use.

Safety Warning For Bunk Beds

1. Read and follow the information on the WARNING labels shown on the end structure of the upper bunk and on the carton.
2. Do not remove warning labels from the bed.
3. Keep these instructions for future use.
4. **IMPORTANT:** The proper sizes for the UPPER TWIN-SIZE mattress should be 74"-75" long and 37 $\frac{1}{2}$ " - 38 $\frac{1}{2}$ " wide with no more than 6" thickness and for the LOWER FULL-SIZE should be 74"-75" long and 53"-54" wide with mattress thickness at least 8" and does not exceed 11".
5. Surface of mattress must be at least 5 inches (127 mm) BELOW the upper edge of the guardrails.
6. The **MAXIMUM** weight capacity for the upper bunk is not to exceed 150 lbs.
7. Do not allow children under 6 years of age to use the upper bunk.
8. Periodically check and ensure that the guardrails, ladder, handle and other components are in their proper position, free from damage, and that all connectors are tightened and secured.
9. **DO NOT** allow horseplay, rough playing, or jumping on the beds and do not allow playing or hiding under the beds.
10. Always use the ladder for entering or leaving the upper bunk.
11. Do not use substitute parts. Contact the manufacturer or dealer for replacement parts.
12. Use of a nightlight may provide added safety precaution for a person using the upper bunk.
13. Always use the guardrails on both sides of the upper bunk.
14. If the bunk bed will be placed next to a wall, the guardrail that runs the full length of the bed should be placed against the wall to prevent entrapment between the bed and the wall.
15. The use of water or sleep flotation mattresses is prohibited.
16. No more than one person is allowed on the upper bunk at all times.
17. Always use the recommended size mattresses or mattress supports, or both, to help prevent the likelihood of entrapment or falls.



Objects such as, but not limited to, hanger, hooks, belts, bag, rope strings, etc. should not be hanged or used on or around the bunk bed.