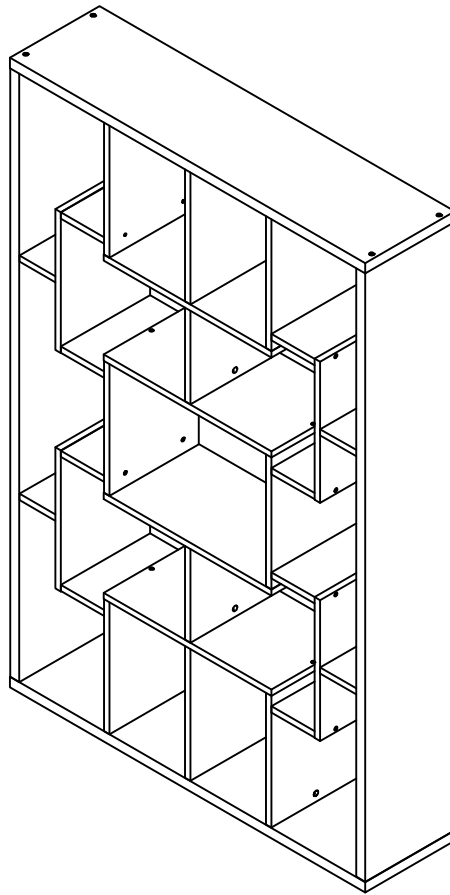


Furniture of AmericaTM

E-commerce Division - Enitial Lab

ASSEMBLY INSTRUCTIONS

HFW-1503C4



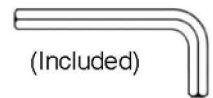
ASSEMBLY RATING

The Assembly Rating is a 5-point system that shows the degree of effort needed in assembling a specific product (with 1 being easy and 5 being difficult). For most products, two persons are recommended.

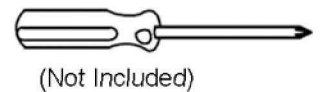
EASY  DIFFICULT

Tools Required for Assembly:

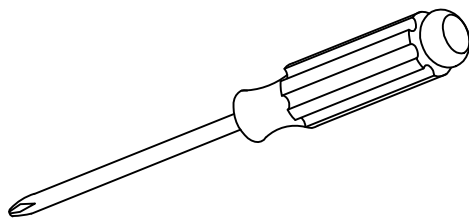
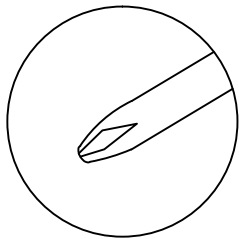
Allen Wrench



Phillips Screwdriver



2 PERSONS RECOMMENDED



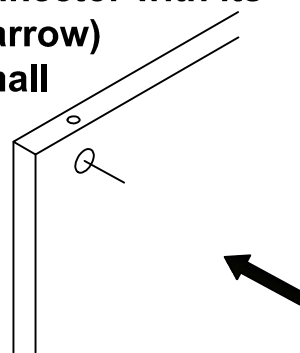
Note: Every cam lock bolt must have a cam lock connector in order to fasten the parts together.

- (1)** Secure the threaded end of the cam bolt by using a screwdriver.



Align the cam connector with its side opening (or arrow) pointing to the small drilled hole.

Turn right (clockwise) to tighten.



(2)

Insert the cam lock bolt into the pre-drilled hole above the cam connector.

(3)

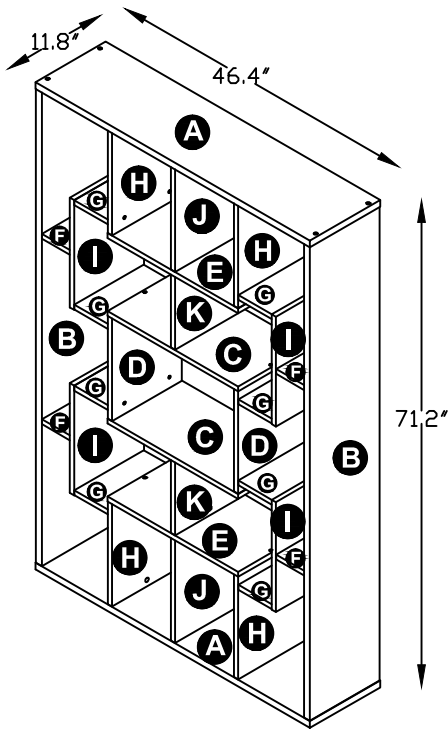
BOOKCASE/DISPLAY SHELF

ASSEMBLY INSTRUCTIONS

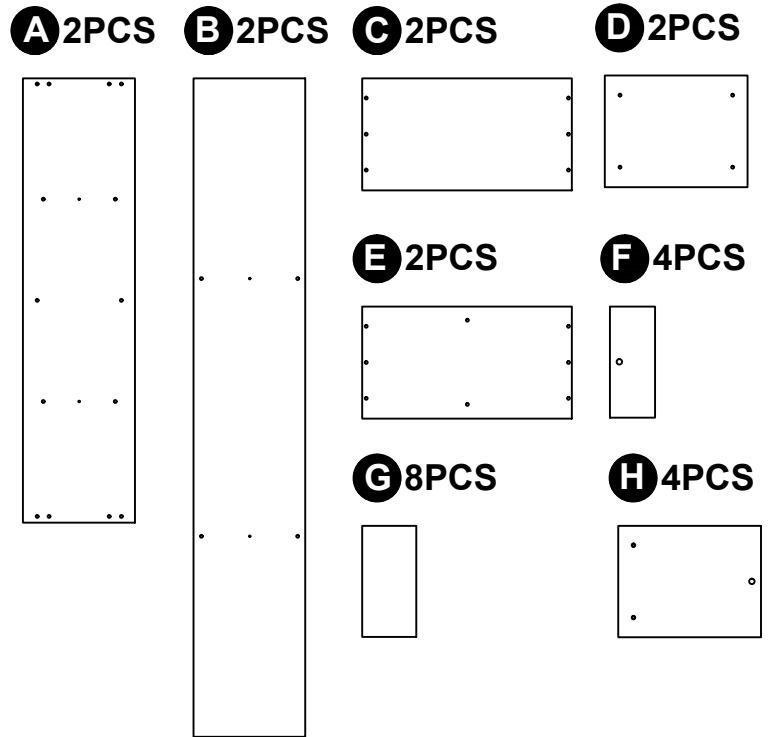
MODEL # HFW-1503C4

please keep for future reference

PARTS LIST

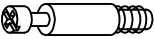
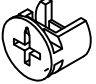
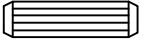
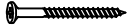

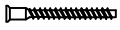




DIMENSIONS : 46.4"(W)*11.8"(D)*71.2"(H)



Before you begin, please read "Assembly and Care Advice", "Pre-Assembly Introduction" and "Cam Lock Fastener Assembly Instructions".

HARDWARE LIST

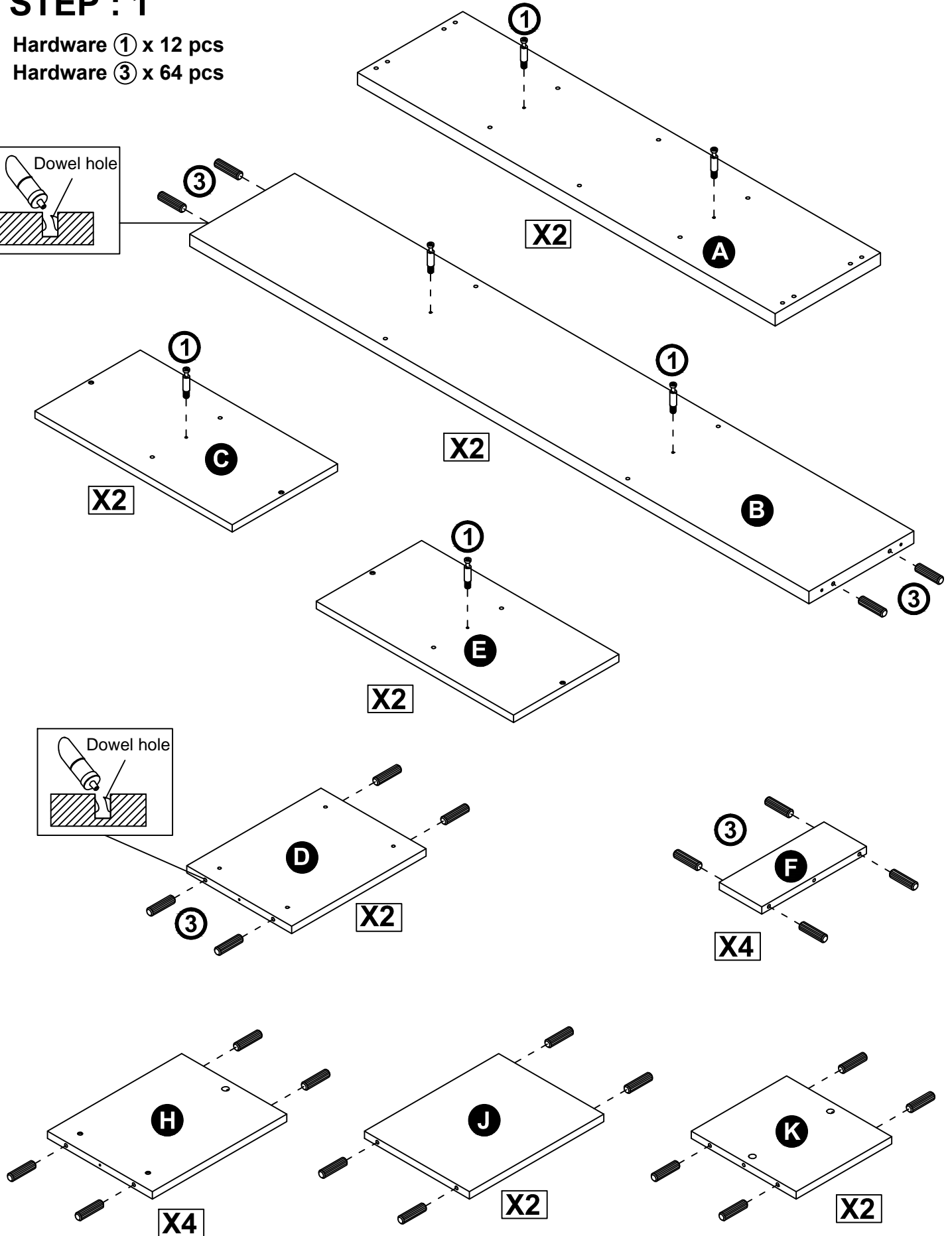
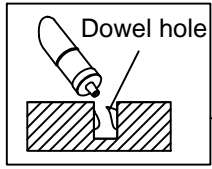
- ① 12PCS

- ② 12PCS

- ③ 64PCS

- ④ 44PCS

- ⑤ 3PCS

- ⑥ 8PCS

- ⑦ 1PCS

- ⑧ 66PCS


ASSEMBLY INSTRUCTIONS

STEP : 1

Hardware ① x 12 pcs

Hardware ③ x 64 pcs

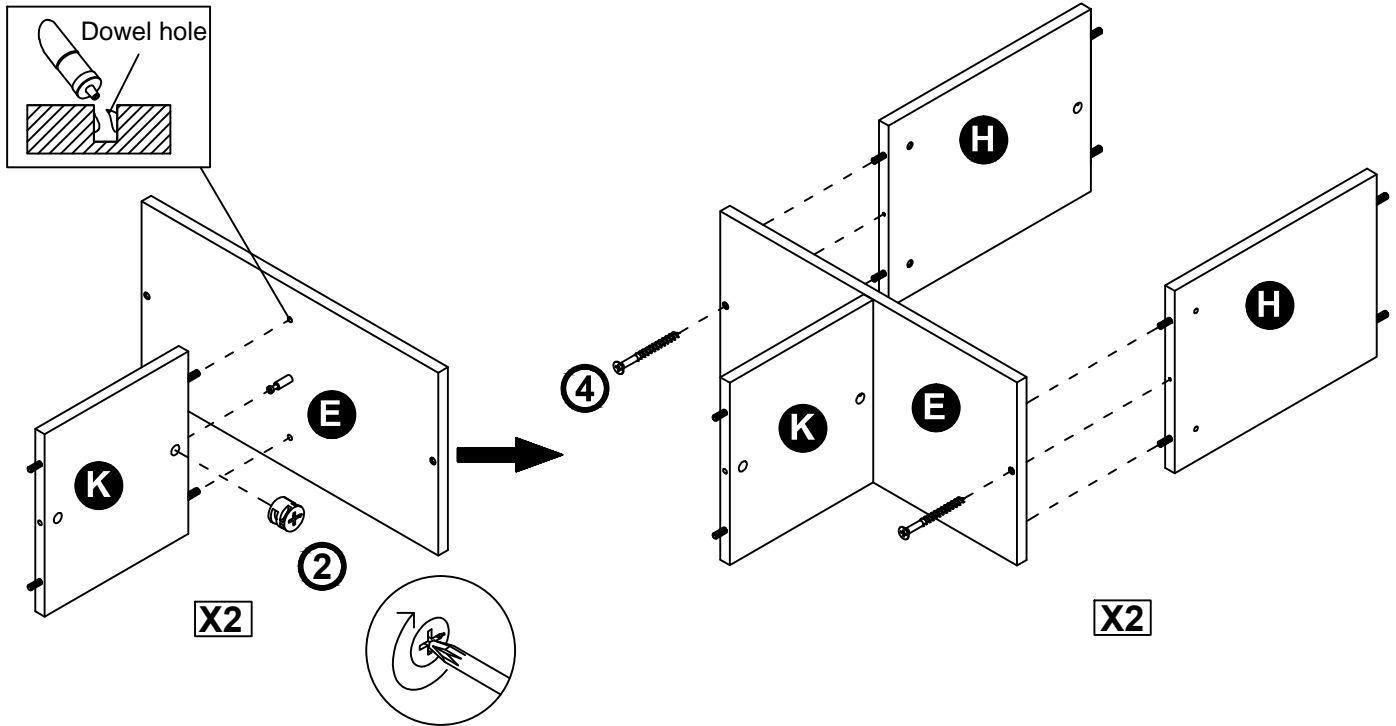


ASSEMBLY INSTRUCTIONS

STEP : 2

Hardware ② x 2 pcs

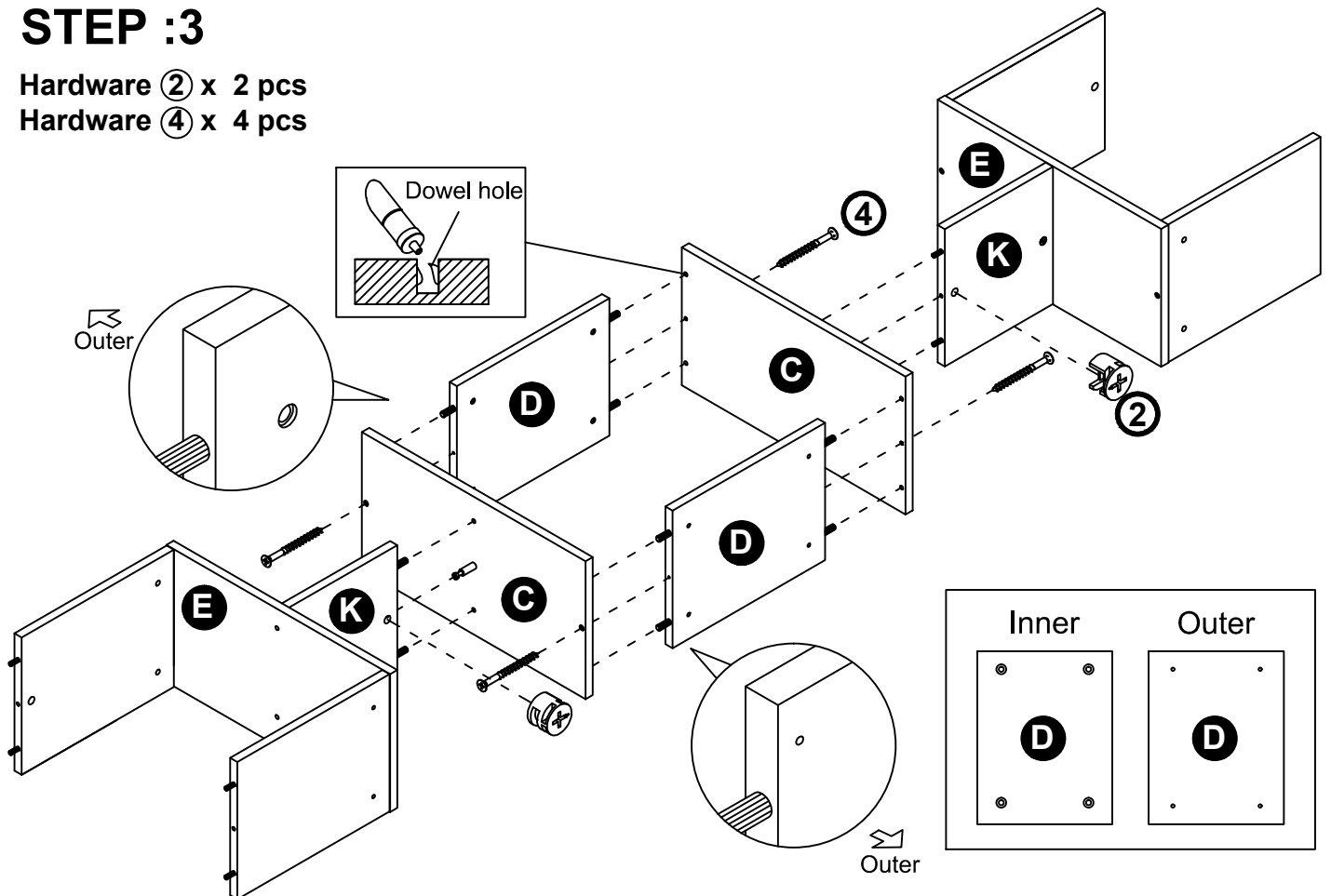
Hardware ④ x 4 pcs



STEP :3

Hardware ② x 2 pcs

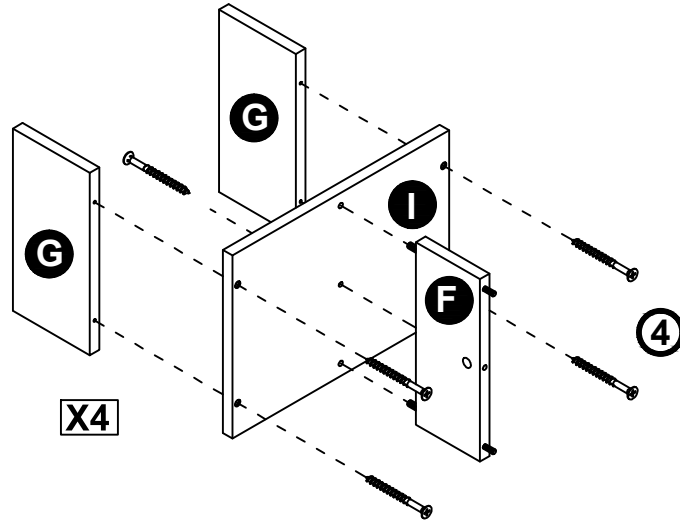
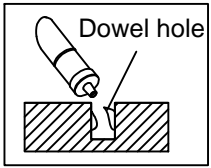
Hardware ④ x 4 pcs



ASSEMBLY INSTRUCTIONS

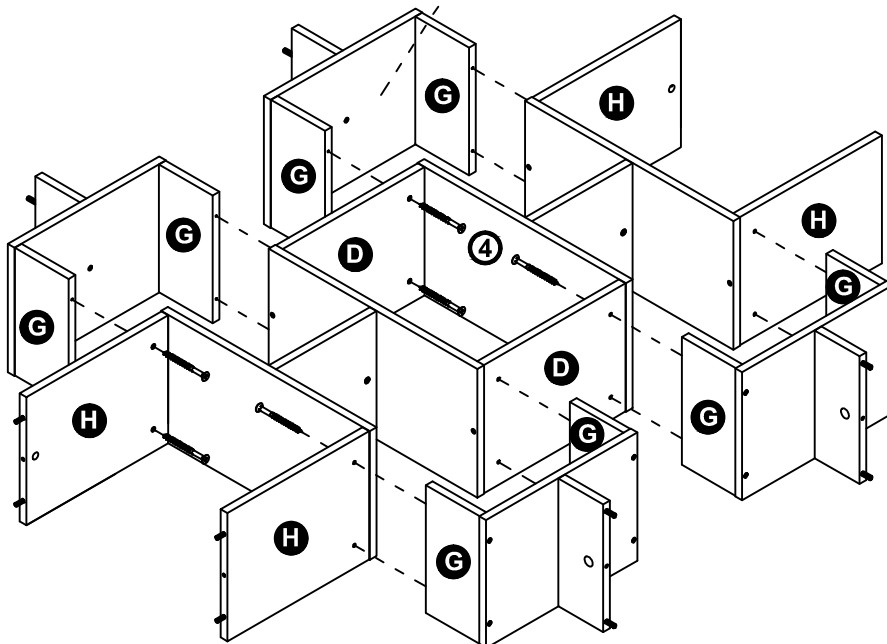
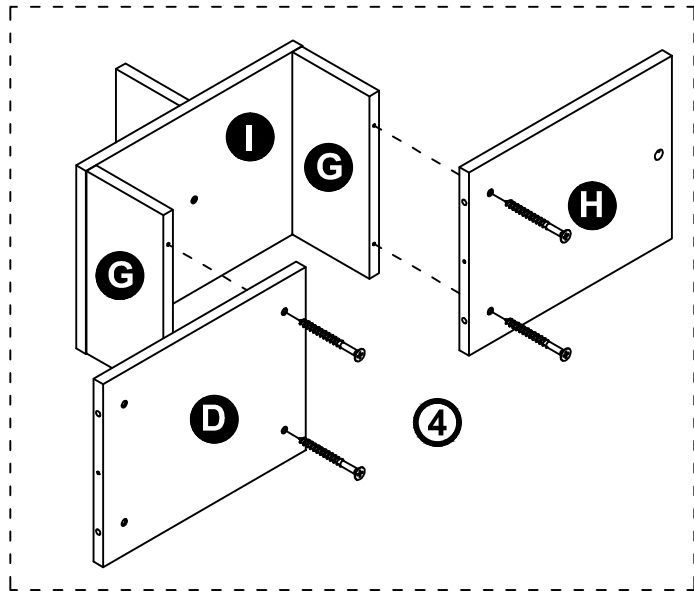
STEP : 4

Hardware ④ x 20 pcs



STEP : 5

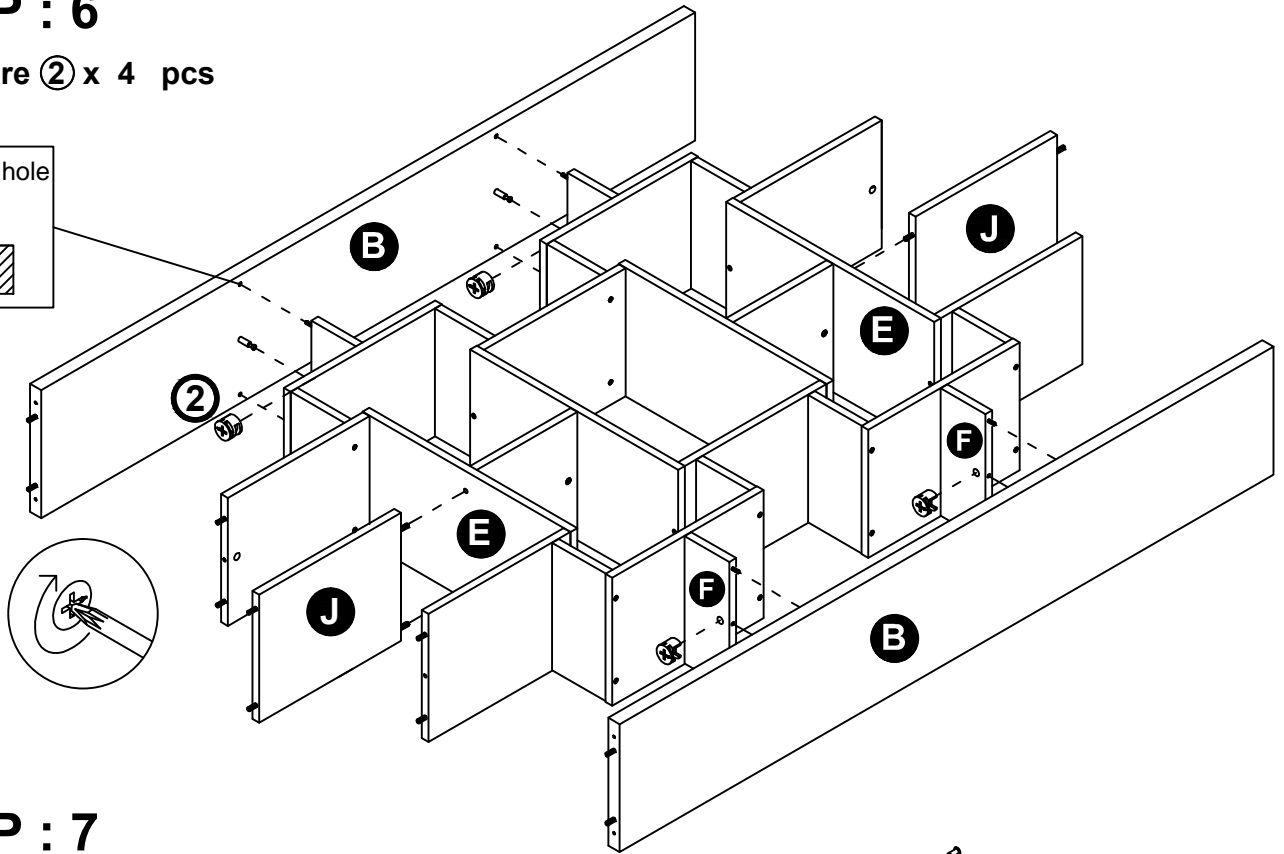
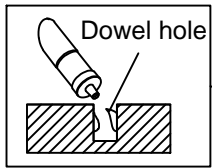
Hardware ④ x 16 pcs



ASSEMBLY INSTRUCTIONS

STEP : 6

Hardware ② x 4 pcs

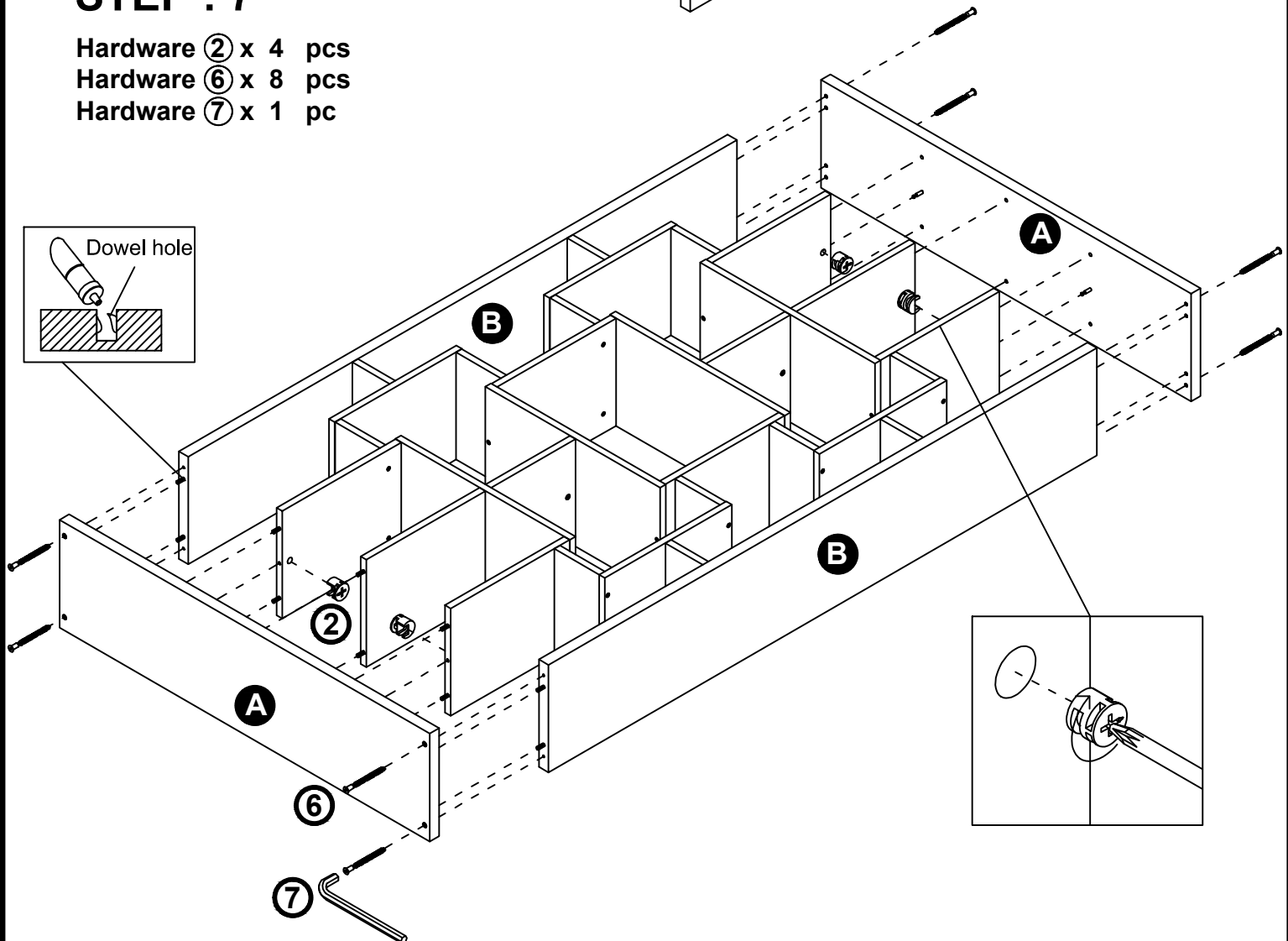
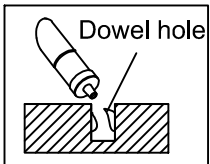


STEP : 7

Hardware ② x 4 pcs

Hardware ⑥ x 8 pcs

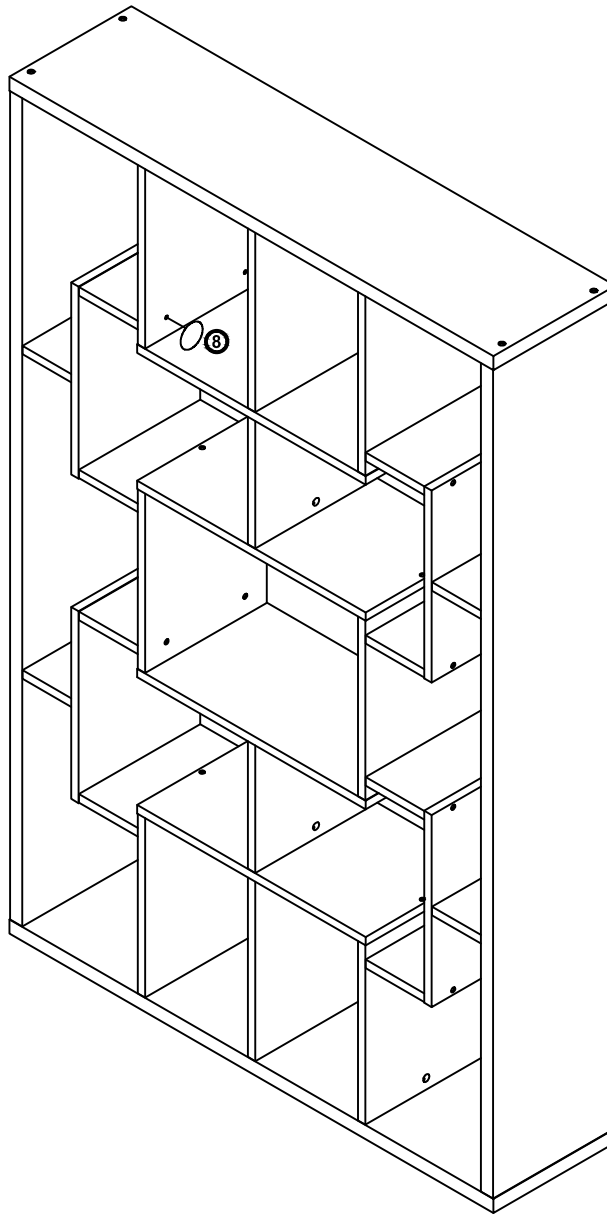
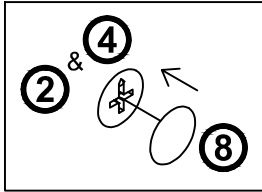
Hardware ⑦ x 1 pc



ASSEMBLY INSTRUCTIONS

STEP : 8

Hardware ⑧ x 66 pcs



Make sure the unit is rested on a flat surface and does not feel loose or wobbly. If it does, double check all bolts/screws are secured and properly tightened.

ASSEMBLY IS COMPLETED