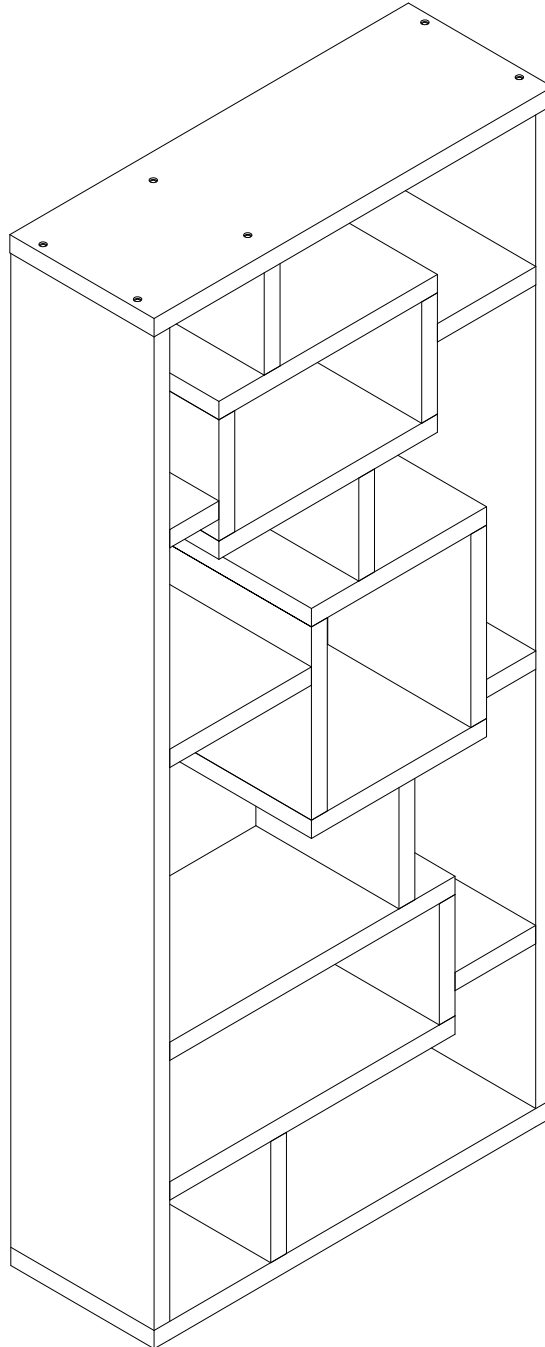


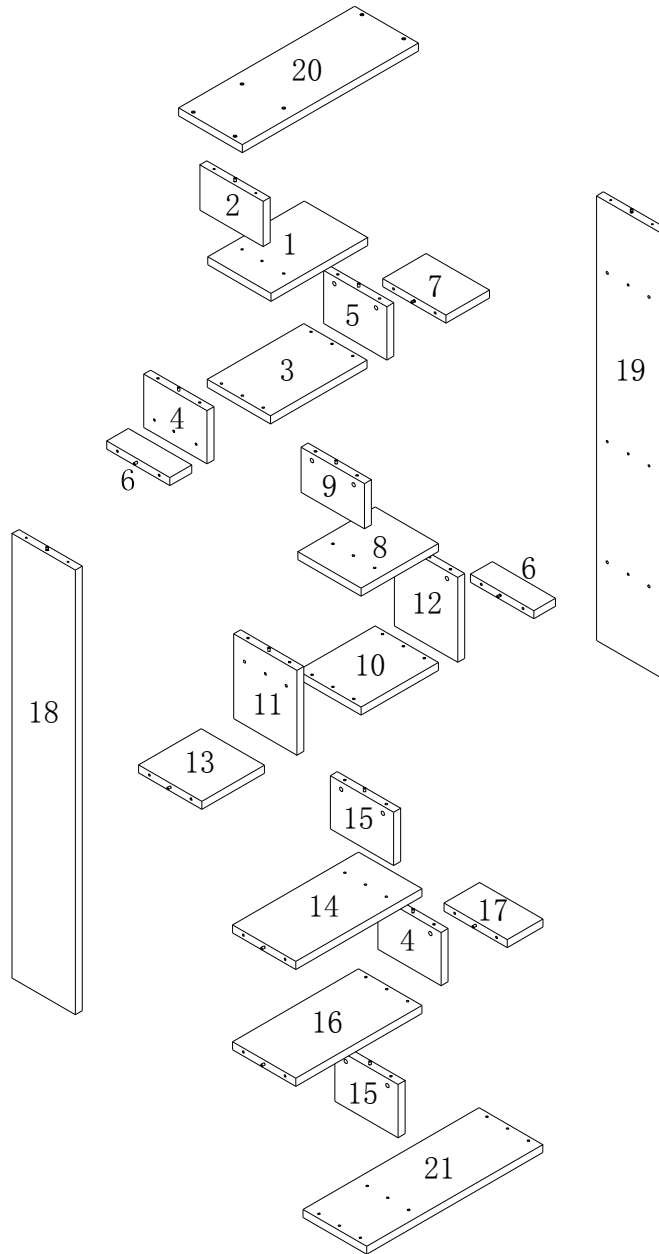
ASSEMBLY INSTRUCTION

ITEM#: 26001



PARTS IDENTIFICATION

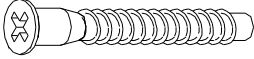



ITEM#: 26001



(1) 1pc	(8) 1pc	(15) 2pcs
(2) 1pc	(9) 1pc	(16) 1pc
(3) 1pc	(10) 1pc	(17) 1pc
(4) 2pcs	(11) 1pc	(18) 1pc
(5) 1pc	(12) 1pc	(19) 1pc
(6) 2pcs	(13) 1pc	(20) 1pc
(7) 1pc	(14) 1pc	(21) 1pc

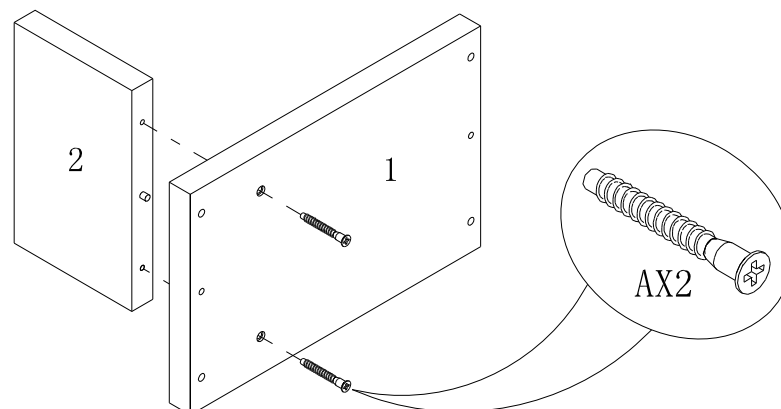
HARDWARE IDENTIFICATION

ITEM#: 26001

A		$\phi 7 \times 58$	28pcs
B		$\phi 15$	40pcs
C		L29	40pcs
D			40pcs

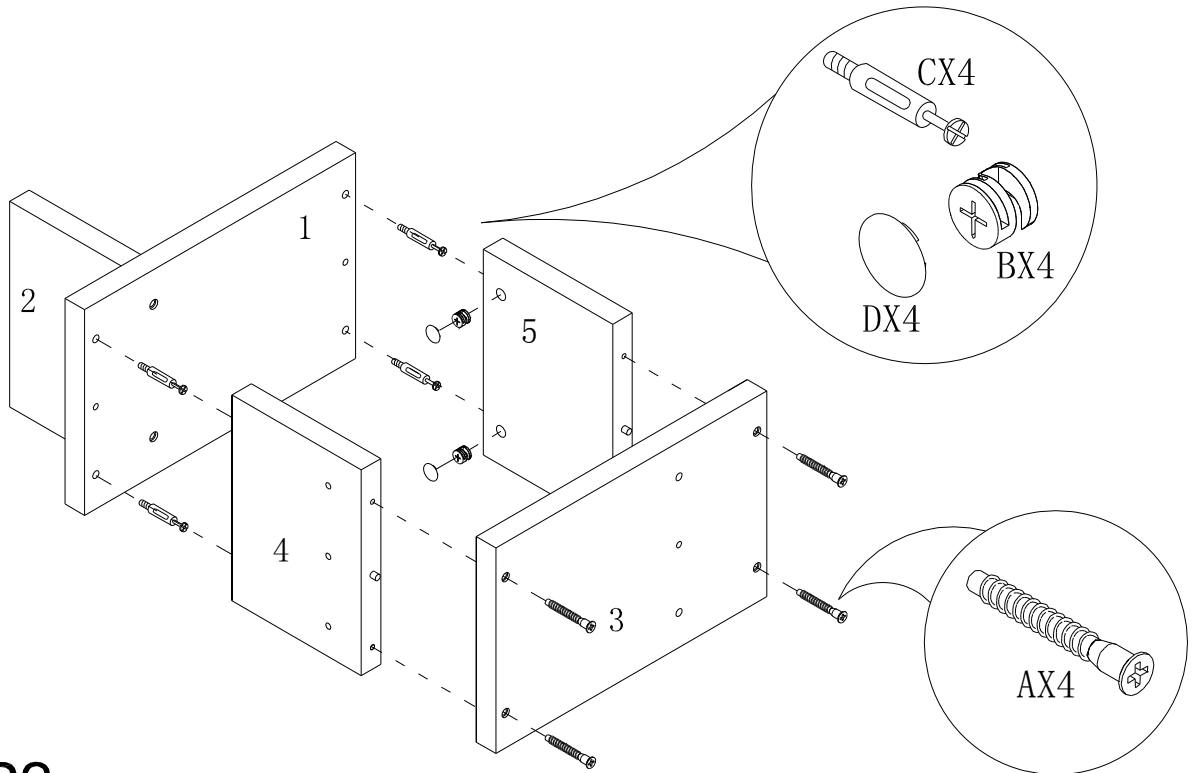
ASSEMBLY INSTRUCTION

ITEM#: 26001



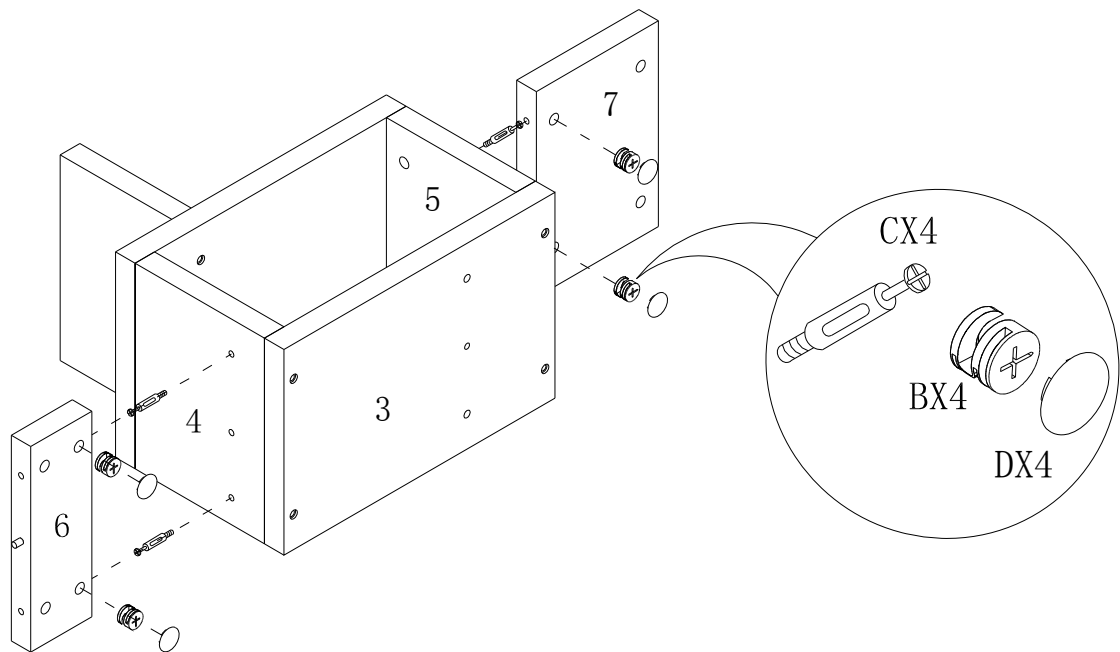
ASSEMBLY INSTRUCTION

ITEM#: 26001



STEP2

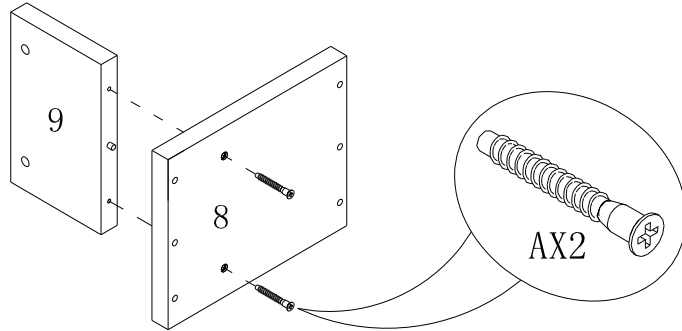
STEP3



PAGE:4 OF 8

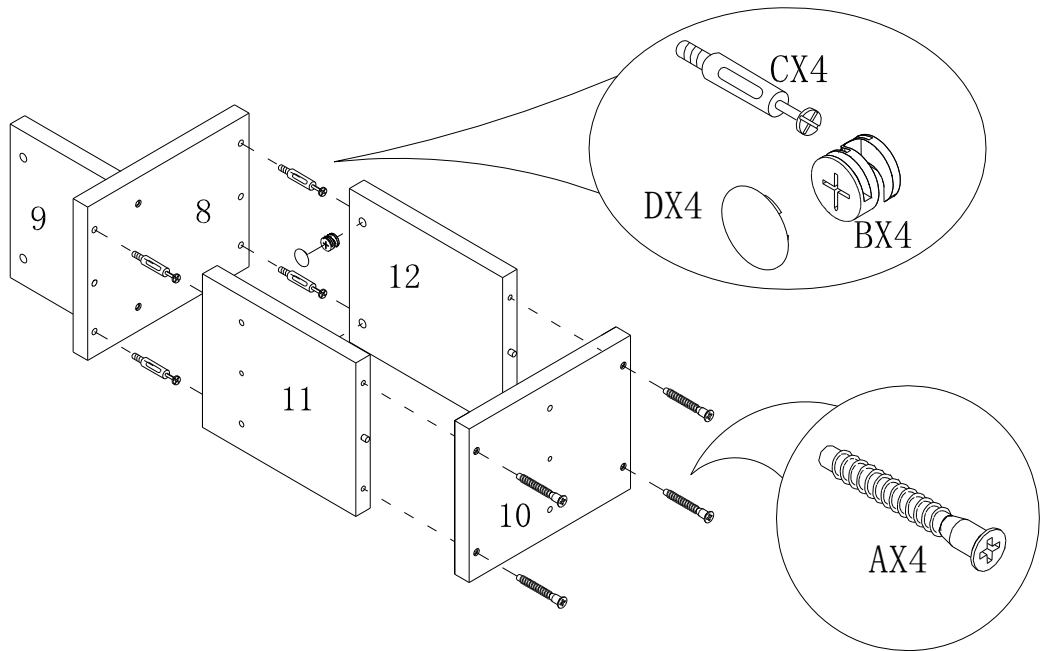
ASSEMBLY INSTRUCTION

ITEM#: 26001

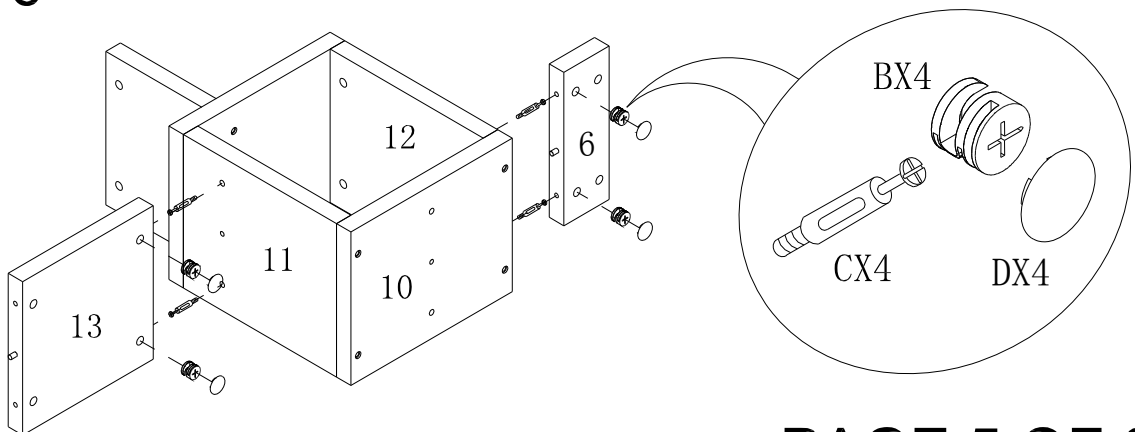


STEP4

STEP5



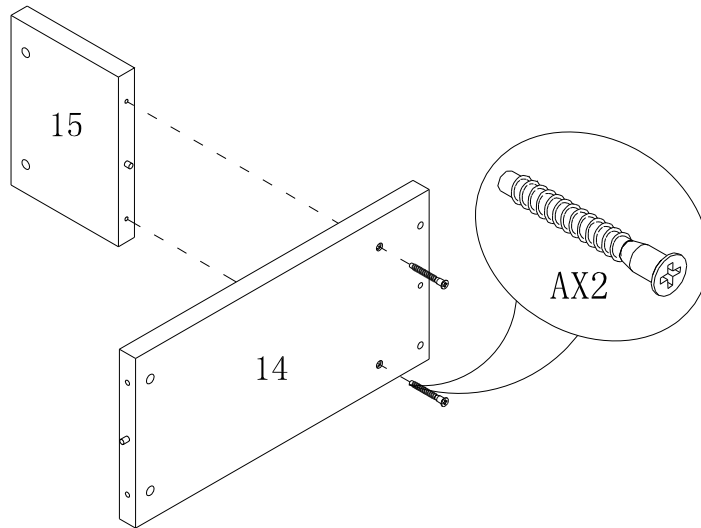
STEP6



PAGE:5 OF 8

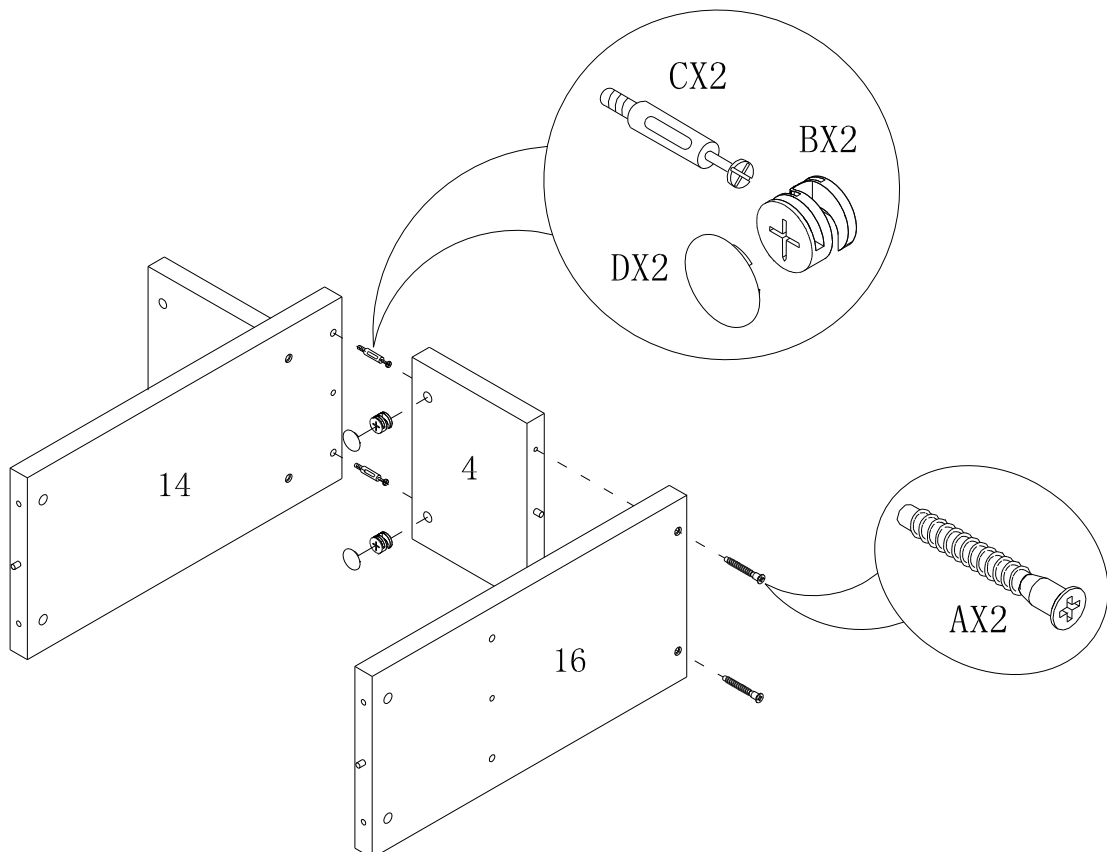
ASSEMBLY INSTRUCTION

ITEM#: 26001



STEP7

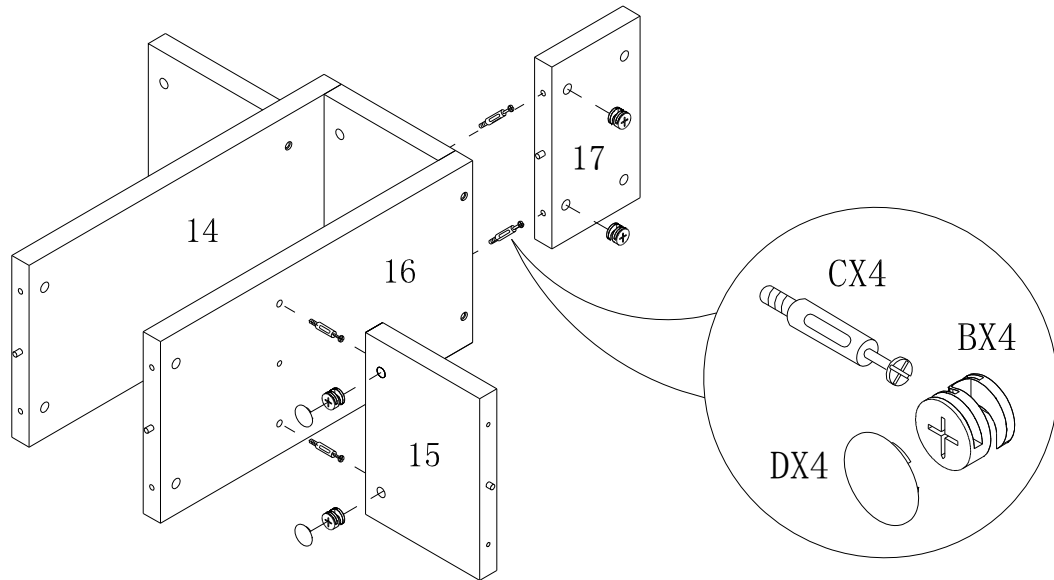
STEP8



PAGE:6 OF 8

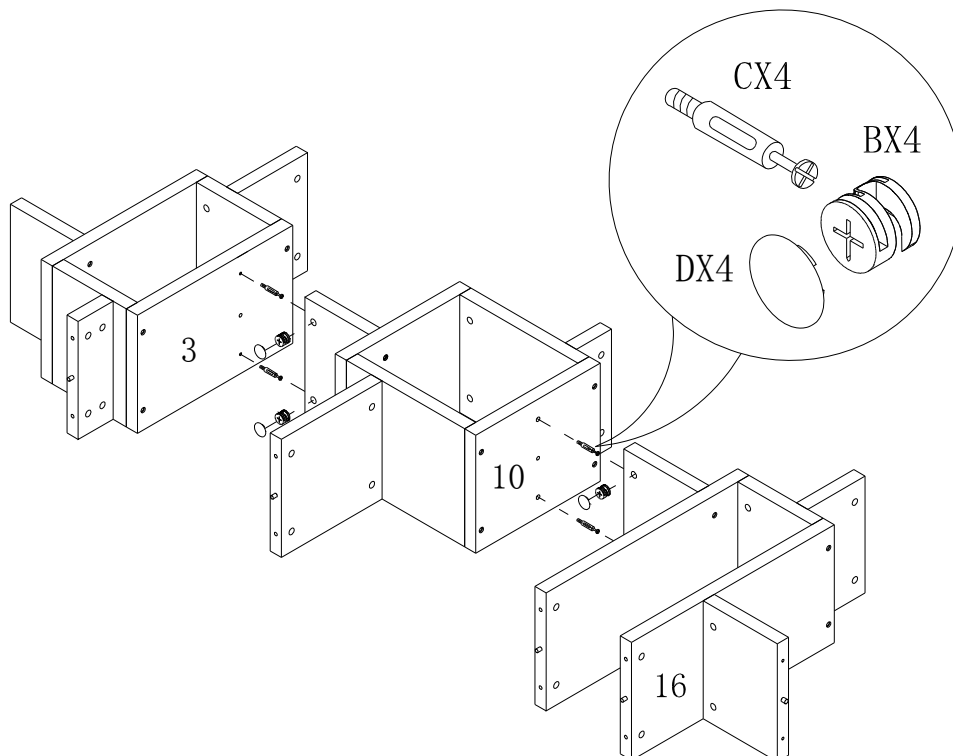
ASSEMBLY INSTRUCTION

ITEM#: 26001



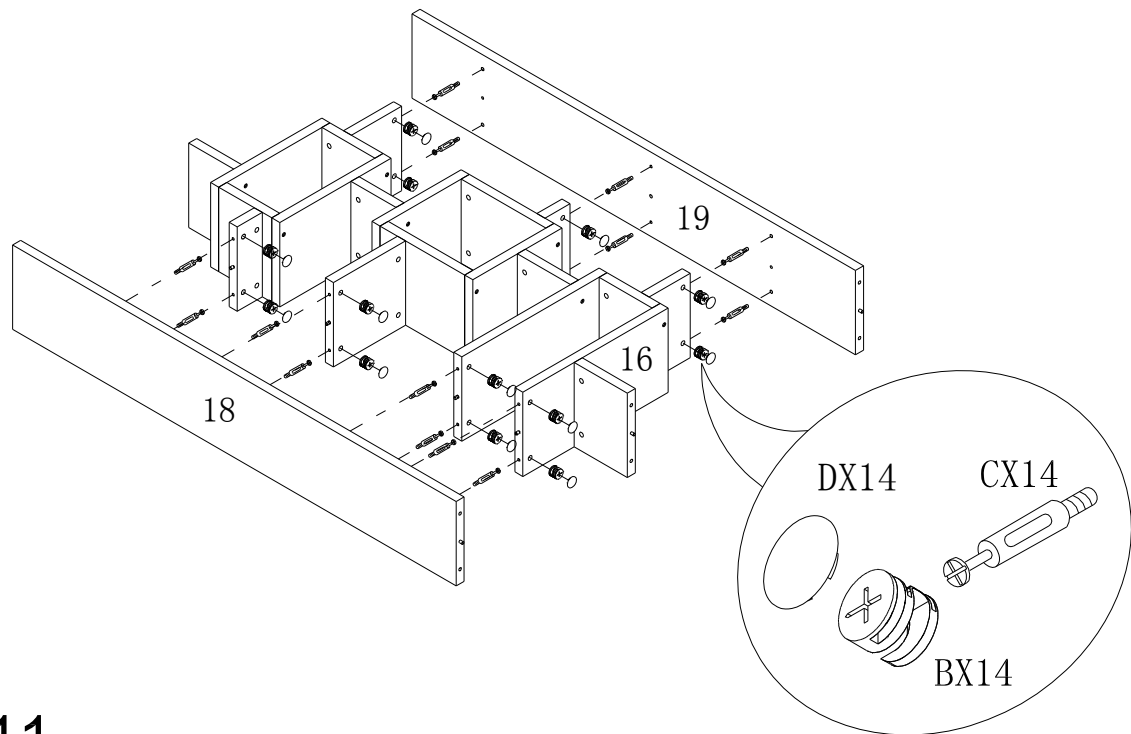
STEP9

STEP10



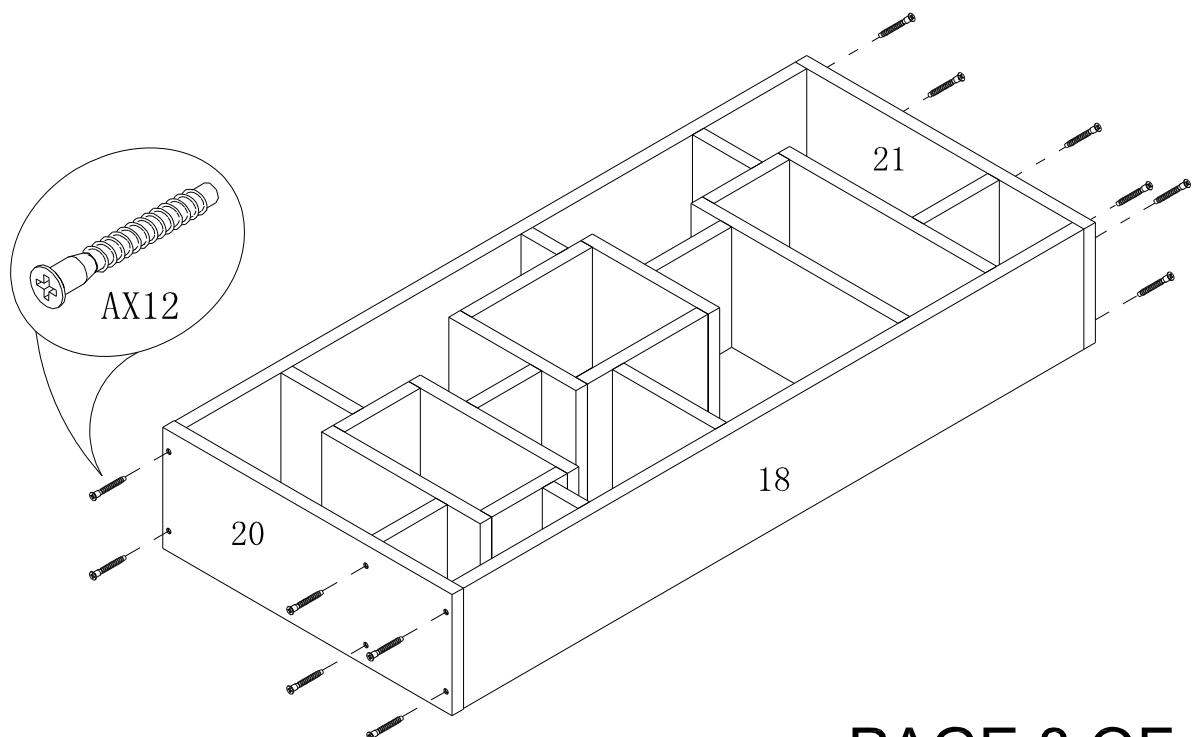
ASSEMBLY INSTRUCTION

ITEM#: 26001



STEP11

STEP12



PAGE:8 OF 8