

#6307 Lauren Metal Canopy Bed
Assembly Instructions



Thank you for purchasing our fine product!

This package contains all tools necessary for assembly.



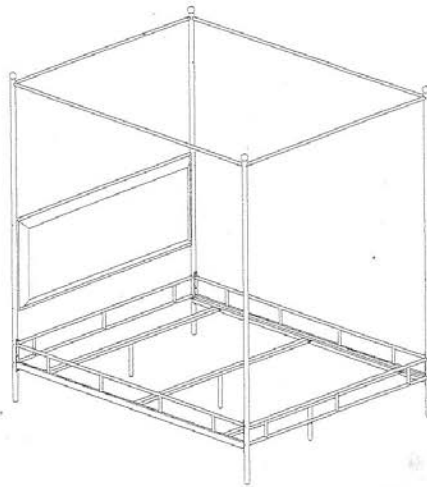
Give us a chance to make it right

Do not return this item to the store. Contact our friendly, U.S. based customer service department with any problems or comments. Replacements for missing or damaged parts are normally shipped within 24 hours!

Toll Free: 866-528-8364

Monday - Friday, 8am-5pm, ET. After business hours, leave a message. We will return your call the next business day.

#6307 Lauren Metal Canopy Bed



Please Note: Assembly of this bed frame requires two people.

WARNING: Failure to follow these directions and warnings can result in serious injury and/or product damage.

- ⚠ Assistance is required to assemble this bed frame.
- ⚠ Never stand on the bed, side rails, or the cross supports.
- ⚠ Periodically re-tighten all bolts and legs.
- ⚠ Do not scoot the bed frame. With help, lift the frame and set it down in the desired location.
- ⚠ If any parts become missing, damaged or worn, discontinue use until they are replaced with identical parts.
- ⚠ Always seek assistance before moving furniture.

#6307 Lauren Metal Canopy Bed Assembly Instructions



PARTS LIST

Part	Drawing	Part Name	Qty.	Part	Drawing	Part Name	Qty.
A		Right Headboard Post	1	I		Side Support Rail	2
B		Left Headboard Post	1	J		Cross Support	3
C		Right Footboard Post	1	K		Middle Leg	3
D		Left Footboard Post	1	L		Curved Washer	12
E		Headboard & Footboard Frame	2	M		Long Bolt (1 3/4")	16
F		Short Top Support	2	N		Short Bolt (1/2")	4
G		Headboard Panel	1	O		Short Bolt with Washers (1/2")	30
H		Long Top Support	2	P		Allen Wrench	1
				Q		Post Ornament	4

Step 1 - Remove all parts from their packaging and confirm that the quantities match those listed above. If any parts are damaged or missing, please call our Customer Service Department at 1-866-528-8364.

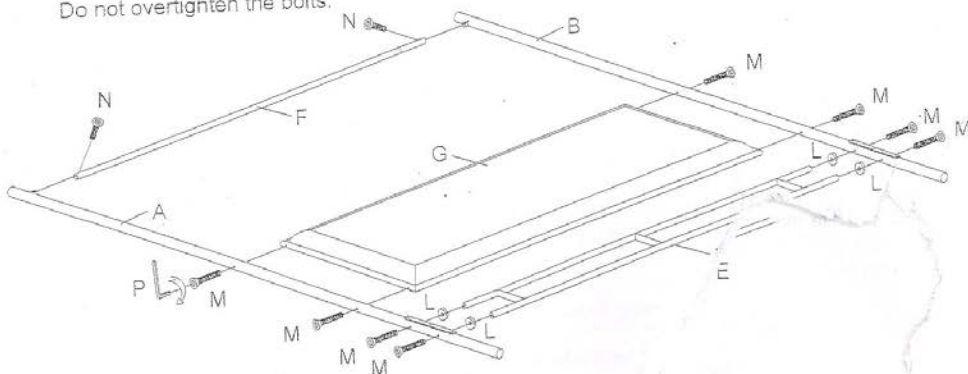


Give us a chance to make it right.
TOLL FREE: 1-866-528-8364
Monday - Friday, 8am-5pm, ET.

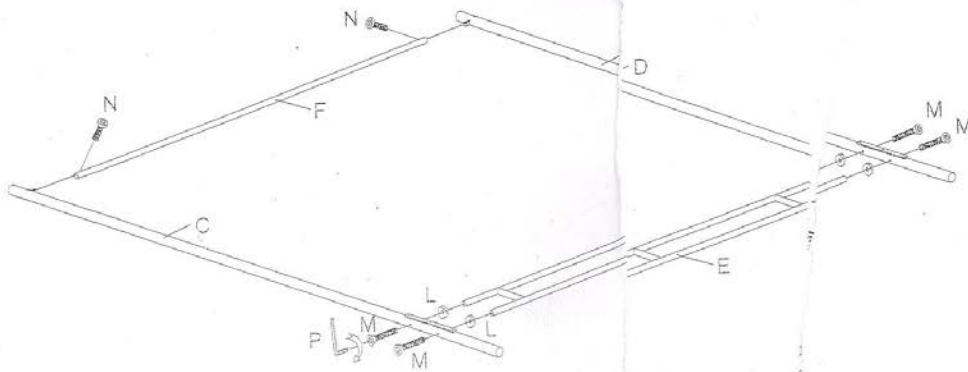
#6307 Lauren Metal Canopy Bed Assembly Instructions



Step 2 - Place the Headboard Frame (Part E) and Headboard Panel (Part G) on a flat surface with the smooth finished side facing up. Align the bolt holes in the Headboard Panel, Short Top Support (Part F), and the Headboard Frame with the corresponding bolt holes and connection tabs on the Right Headboard Post (Part A) and Left Headboard Post (Part B) like shown below. Insert two Short Bolts (Part N) through the bolt holes in the Short Top Support and into the connection tabs at the top of the Right and Left Headboard Posts. Insert four Long Bolts (Part M) through the Right and Left Headboard Posts and into the ends of Headboard Panel. Insert four Long Bolts (Part M) through the Right and Left Headboard Posts and the Curved Washers (Part L) and into the ends of Headboard Frame. Fully tighten all of bolts by using the Allen Wrench (Part P). Do not overtighten the bolts.



Step 3 - Assemble the Right Footboard Post (Part C) and Left Footboard Post (Part D) to the Right Footboard Frame and Short Top Support by repeating the procedures outlined in Step 2. Tighten all of the bolts.



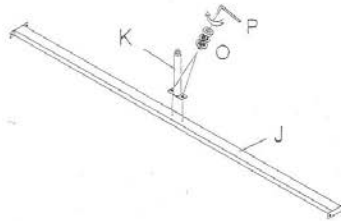
Give us a chance to make it right.
TOLL FREE: 1-866-523-8364
Monday - Friday, 8th, 9th, 10th, 11th, 12th

#6307 Lauren Metal Canopy Bed Assembly Instructions

Dimensions
innovation for living

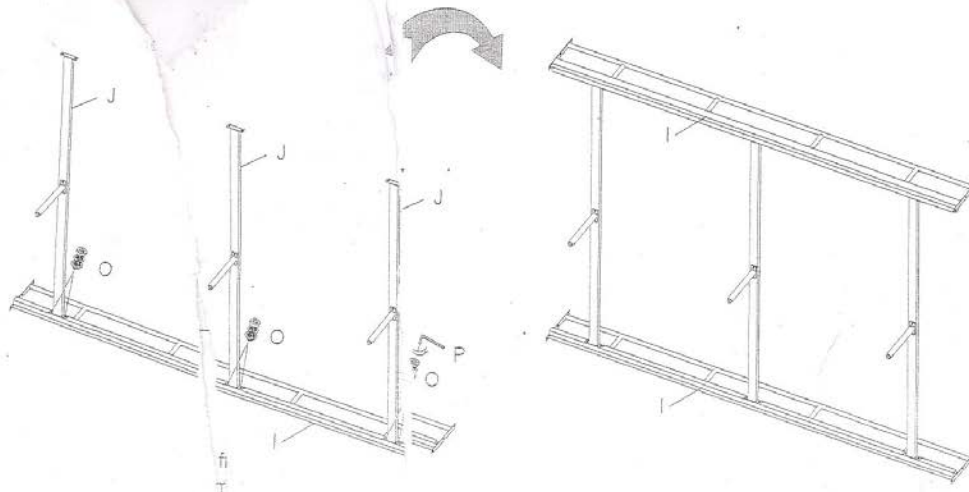
Step 4 - Align the connection tab on the Middle Leg (Part K) with bolt holes in the middle of the Cross Support (Part J). Insert two Short Bolts with Washers (Part O) through the holes in the connection tab and into the Cross Support. Fully tighten the bolts by using Allen Wrench (Part P). Do not overtighten the bolts.

Repeat Step 4 to assemble the remaining Middle Legs and Cross Supports.



Step 5 - Place one of the Side Support Rails (Part I) on its side on a flat surface. With help, align the tabs on the ends of the Cross Supports with the corresponding bolt holes in Side Support Rails on the side of the Cross Support. The Middle Legs are facing in the correct direction. Partially insert the Side Support Rail (Part I), while making sure the Short Bolts with Washers (Part O) through the tabs on the Cross Supports and into the Side Support Rail.

Repeat Step 5 to assemble the remaining Side Support Rail to the other end of the Cross Supports. (Please Note: it is important to leave the bolts slightly loose until further instructions).



Give us a chance to make it right.
CALL FREE: 1-866-528-8364
Monday - Friday, 8am-5pm, ET.

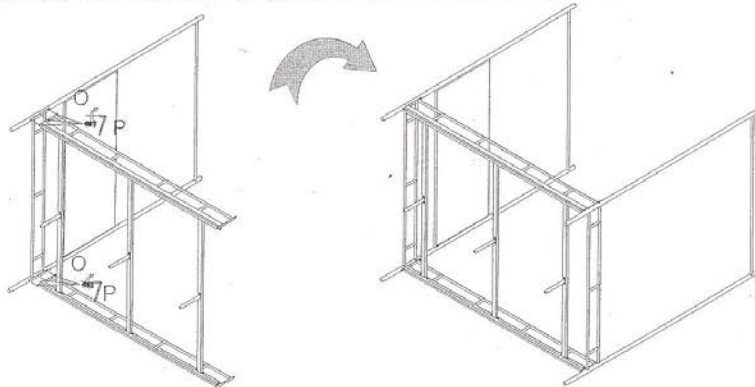
#6307 Lauren Metal Canopy Bed Assembly Instructions

Dimensions
innovation for living

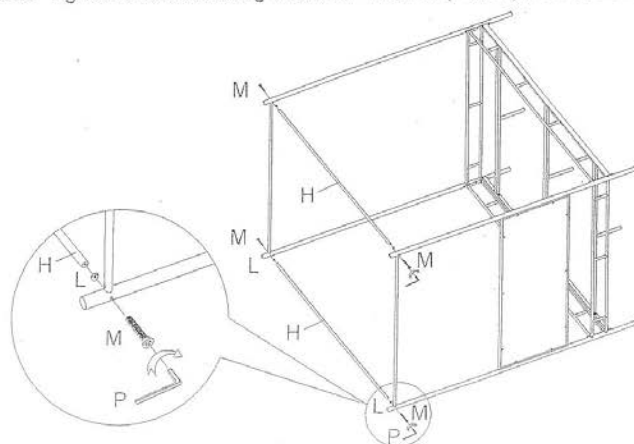
Step 6 - With help, Align the bolt holes in the connection tabs at the ends of the Side Support Rails with the bolt holes at the bottom of the assembled Right and Left Headboard Posts. Insert six Short Bolts with Washers (Part O) through the holes in the connection tabs and into the bolt holes in the Right and Left Headboard Posts. Tighten the bolts using the Allen Wrench (Part P). Do not overtighten the bolts.

Repeat Step 6 to assemble the other end of the Side Support Rails to the partially assembled Left and Right Footboard Posts.

* Tighten all of the bolts inserted in Step 5 at this time. Do not overtighten the bolts.



Step 7 - With help, Align the Long Top Supports (Part H) with the bolt holes at the top of the Left and Right Headboard Posts and Footboard Posts. Insert four Long Bolts (Part M) through the Headboard Posts and Footboard Posts and the Curved Washers (Part L) and into the ends of the Long Top Supports. Tighten the bolts using the Allen Wrench (Part P). Do not overtighten the bolts.



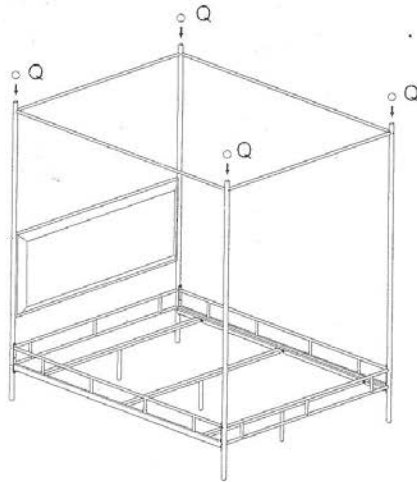
Give us a chance to make it right.
TOLL FREE: 1-866-528-8364
Monday - Friday, 8am-5pm, ET.

#6307 Lauren Metal Canopy Bed Assembly Instructions

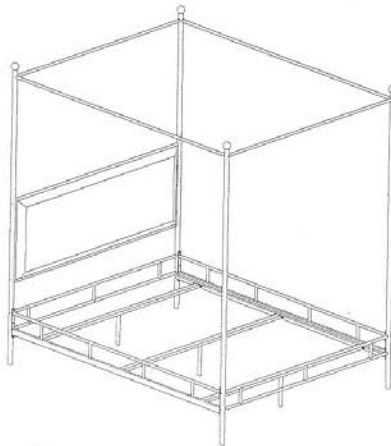
Dimensions
innovation for living

Step 8 - With help, turn the assembled bed frame upright. Insert four Post Ornaments (Part Q) onto each tube end at the top of the Headboard Posts and Footboard Posts.

(Please Note: It may be necessary to use a small step stool to reach the top of posts. Do not climb on the frame rails to access the top of the posts.)



Assembly is complete.



Give us a chance to make it right.
TOLL FREE: 1-866-528-8364
Monday - Friday, 8am-5pm, ET.