

HZ3480R0TX

Wall-Mount Ironing Center

Assembly Instruction



Southern
ENTERPRISES

For assistance with assembly contact:

Southern Enterprises Inc.

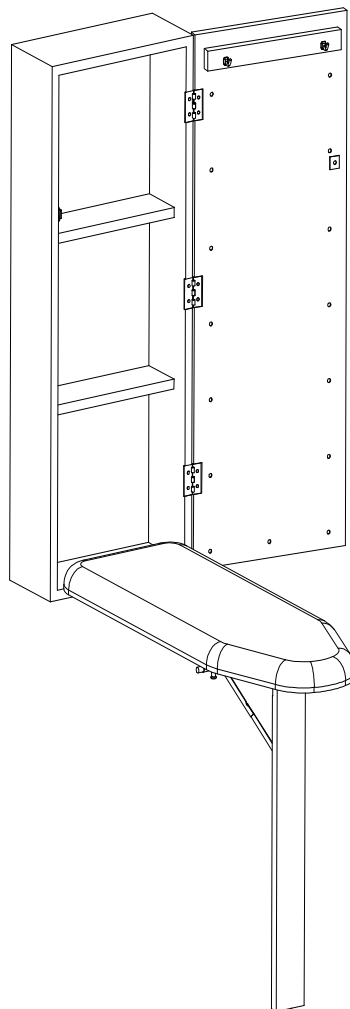
Customer Service 1-800-633-5096

service@seidal.com

www.seidal.com

PO:

Max load on ironing board 40lb



© Southern Enterprises Inc. All Right Reserved.

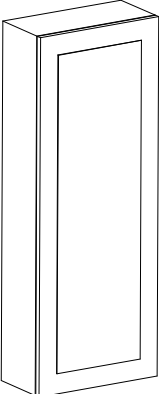
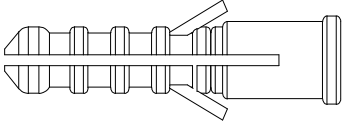
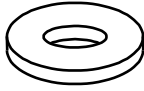
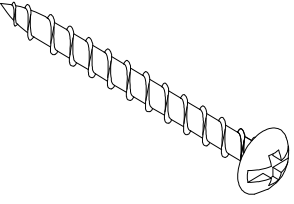
HZ3480R0TX

Wall-Mount Ironing Center Parts List

Please review all parts and hardware before disposing of any packaging.

Before beginning assembly, separate each type of hardware. Carefully study the diagrams below and check that you have all parts indicated. Call Customer Service if missing hardware. Using the incorrect hardware will cause damage.

Suggested Tools: Phillip head screw driver, power drill, 3/16" drill bit, 24" level, and a tape measure. Unit needs to be hung on wall stud for more security and stability.

<p>(1) Cabinet</p>  <p>1 PC</p>	<p>(2) Plastic Wall Anchor</p>  <p>3 PCS</p> <p>1 extra included</p>	<p>(3) Washer</p>  <p>3 PCS</p> <p>3/16"x1/2"</p>
<p>(4) Screw</p>  <p>3PCS</p> <p>Ø 4mm x2"</p>		

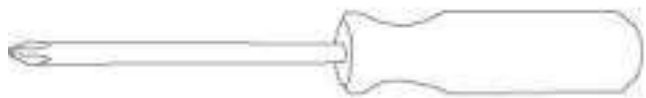
Care and Cleaning Instructions:

Before using, wipe with a clean, dry cloth. Periodically apply furniture wax to renew the finish on wood part. Avoid rubbing or scratching the surface with rough or abrasive objects.

For replacement parts or questions, please call Customer Service at 1-800-633-5096.

Assembly Tool Required

No.2 Phillips Screwdriver

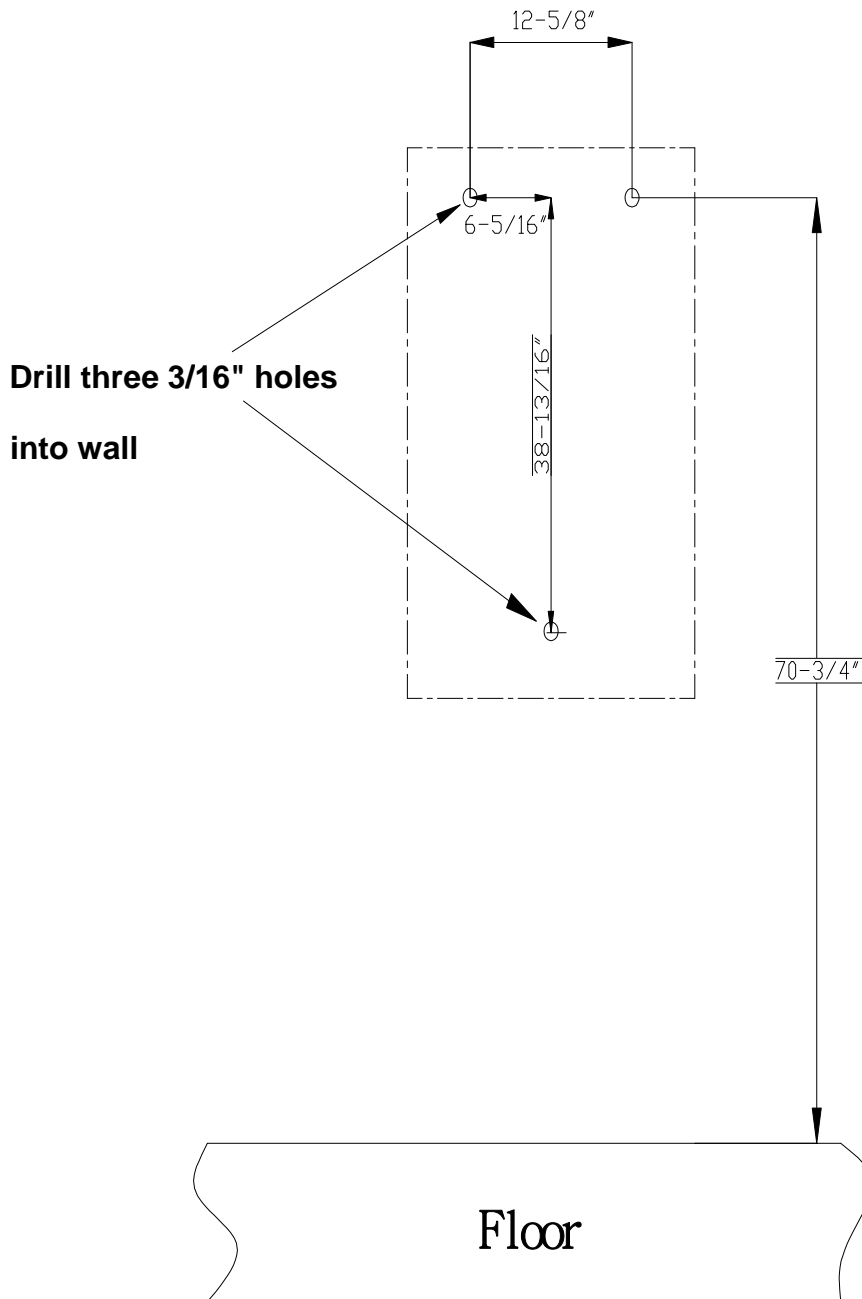


Tool List: 3/16" Drill Bit, Drill, Tape Measure and Pencil.

HZ3480R0TX

Wall-Mount Ironing Center

Assembly Instructions



1 screw MUST BE directly mounted into a wall stud. Wall anchor is not needed when mounting into a wall stud.

Step 1: Measure the wall and mark the location of the center of each mounting holes. See Figure 2.

NOTICE

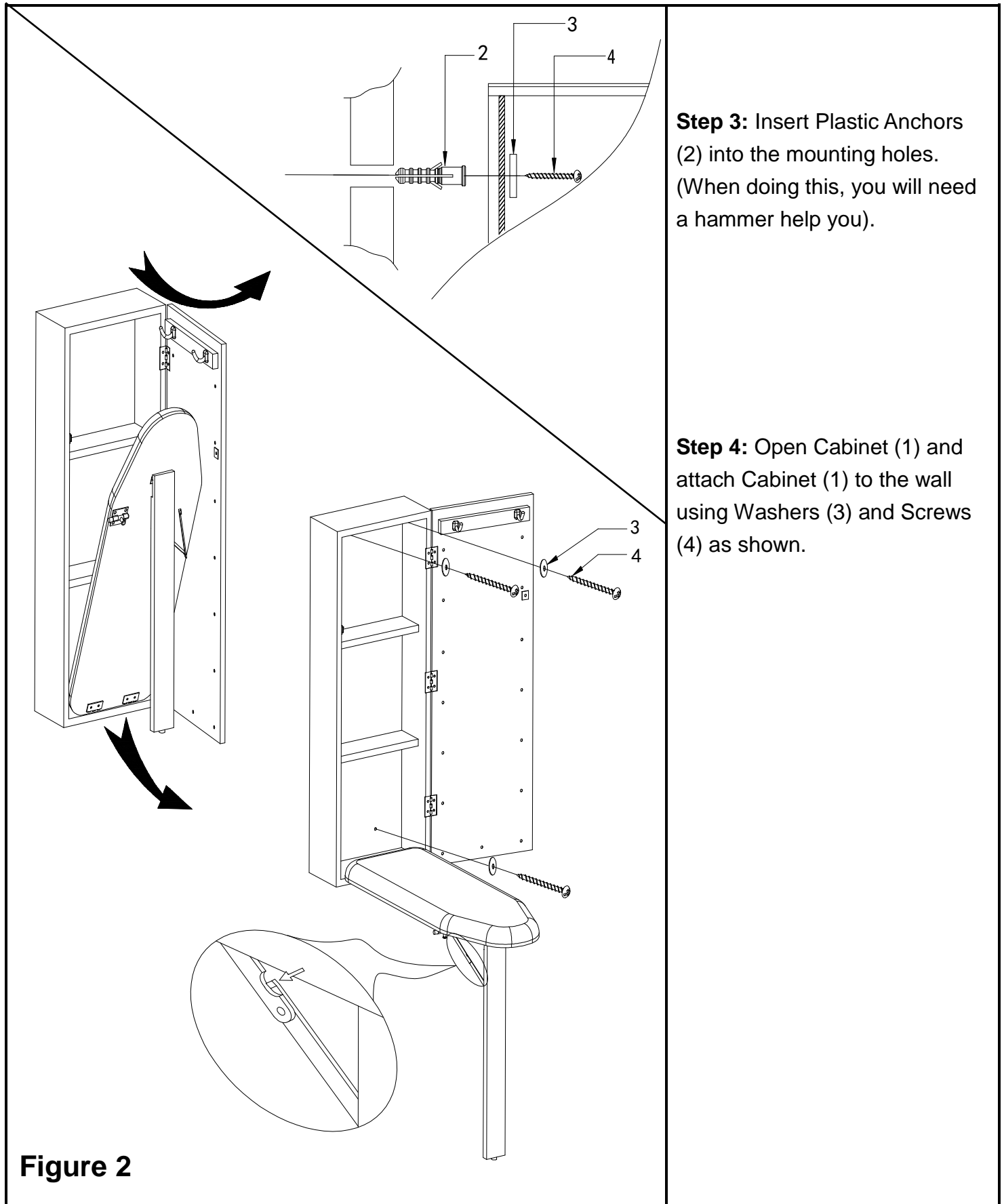
If your wall studs are 12" apart, please make sure the top 2 holes are located on wall stud. However, at least one top hole must located on a wall stud.

Using the level, make sure that all marks are level on the wall.

Step 2: Using power drill and 3/16" drill bit, drill two 3/16" holes through the wallboard at the mounting hole marks.

Notice: Only drill a 3/16" hole for the holes that are going to need a wall anchor. Screws for wall stud should be directly screwed into the wall and into the stud.

Figure 1-Screw Hole Location



Step 3: Insert Plastic Anchors (2) into the mounting holes. (When doing this, you will need a hammer help you).

Step 4: Open Cabinet (1) and attach Cabinet (1) to the wall using Washers (3) and Screws (4) as shown.

Figure 2



Southern
ENTERPRISES

Customer Service 1-800-633-5096

service@seidal.com

Southern Enterprises, Inc.
600 Freeport Parkway, Suite 200
Coppell, Texas 75019

Parts Replacement Form

Customer Information

Name

Address

City/State/Zip Code

Phone Number

Please indicate where you purchased this item: Store/Website/Catalog

Please indicate color/size/style number:

Style No

Parts Letter

Parts Description

Quantity Needed

Please immediately examine this product carefully. Any request for missing parts or damage replacement must be received within 90 days of your receipt of the product. Replacement, if available, will be honored within this time frame. Parts will not be available for items arriving fully assembled. We do not recommend modifying product(s) and we are not responsible for any damages due to product modification(s). If damages or missing parts are not reported within 90 days of your receipt, we are under no obligation to provide parts or replacement merchandise.

lease contact Southern Enterprises at 800-633-5096 or in Dallas 972-869-0111/ 9am – 4pm Mon-Fri Central time if you have product issues or email us at service@seidal.com. Please ask for customer service representative for issues involving damages or replacement parts. Please ask for technical assistance representative for any issues with product and assembly/construction.

Please contact the retailer that you purchased from for returns.



Southern
ENTERPRISES

Customer Service 1-800-633-5096

service@seidal.com

Southern Enterprises, Inc.

600 Freeport Parkway, Suite 200

Coppell, Texas 75019