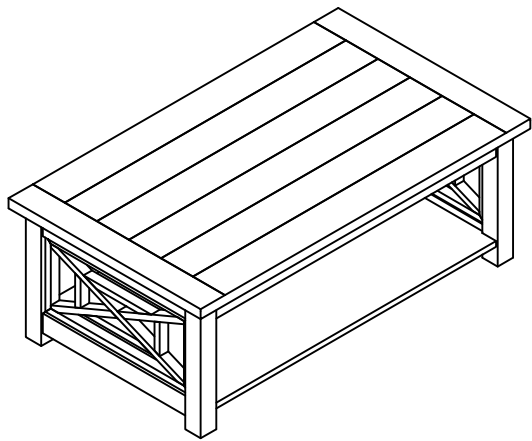




**Thank you for purchasing this quality product. Be sure to check all packing material carefully for small parts, which may have come loose inside the carton during shipment. Identify and count all parts and compare with the parts list below.**

**COMPLETED:**



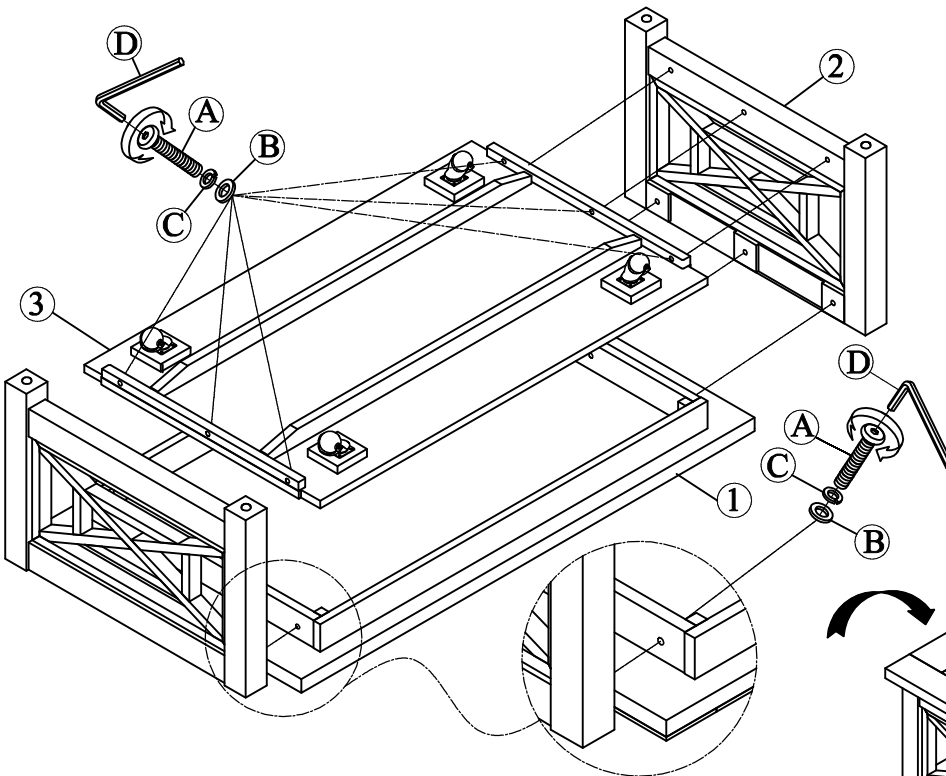
**PARTS LIST**

| NO | DRAWING | DESCRIPTION  | Q'TY |
|----|---------|--------------|------|
| 1  |         | Table Top    | 1    |
| 2  |         | Side Frame   | 2    |
| 3  |         | Bottom Shelf | 1    |

**HARDWARE LIST**

| NO | DRAWING | DESCRIPTION               | Q'TY |
|----|---------|---------------------------|------|
| A  |         | Bolt Ø1/4-20*38(L)        | 12   |
| B  |         | Flat Washer Ø1/4"*Ø16*2mm | 12   |
| C  |         | Spring Washer Ø1/4"*Ø13mm | 12   |
| D  |         | Allen key M4              | 1    |

**STEP 1**



**STEP 2**

