

Thank You for purchasing this Quality product. It has been engineered for easy assembly yet constructed for durability. Please take the time to read and follow the instructions while assembling.

ASSEMBLY INSTRUCTION

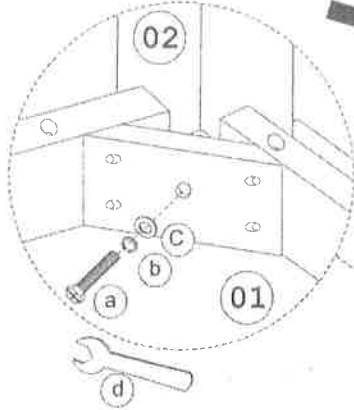
BARSTOOL

18 3/4" W x 15 1/2" D x 23 3/4" H & 30" H

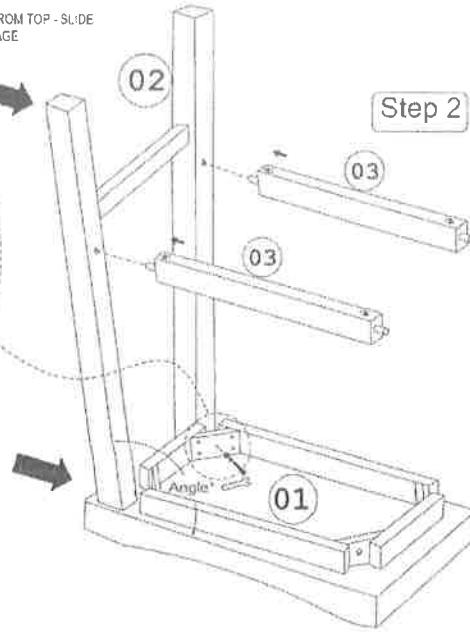
Model : (CS 0618 RTA)

Step 1

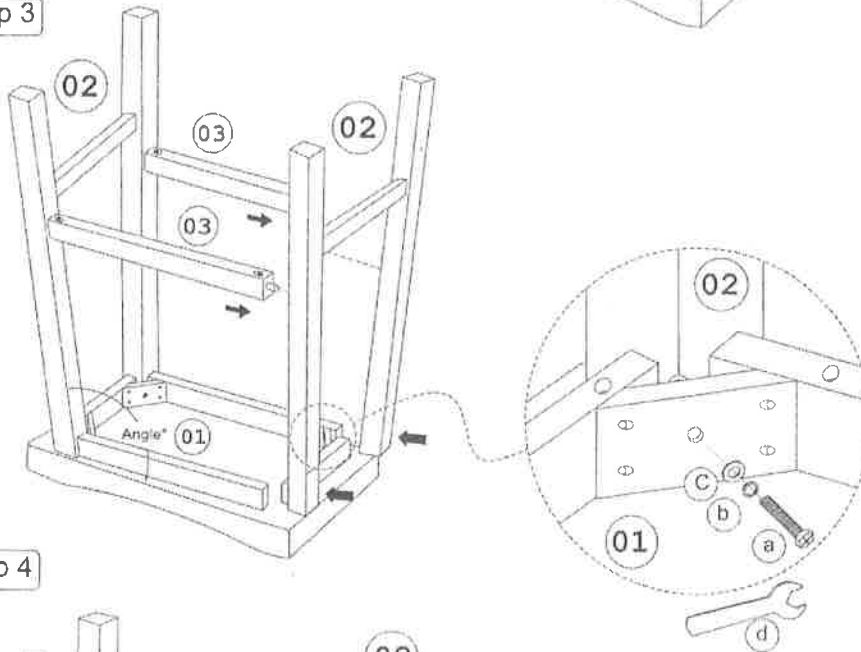
*REMARK
DO NOT FORCE LEG ASSEMBLY FROM TOP - SLIDE IN FROM THE SIDE TO AVOID DAMAGE



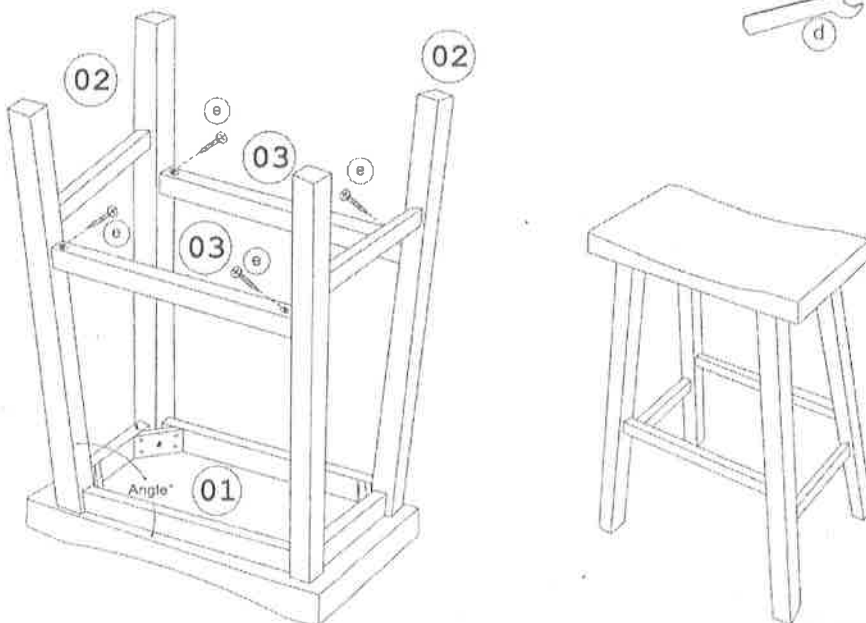
Step 2



Step 3



Step 4



List of Part For 1 Set

01		Seat Board	1
02		Assembly Leg	2
03		Center Stretcher	2

List of hardware For 1 Set

a		Hex.Com.Bolt M6 x 60mm	4
b		Spring Washer	4
c		Flat Washer	4
d		Spanner 10mm	1
e		PHRS Screw # 8 x 1 3/4"	4

ASSEMBLY TIPS :

- 1.Remove hardware from box and sort by size .
- 2.Please check to see that all hardware and parts are present prior start of assembly.
- 3.Please follow attached instructions in the same sequence as numbered to assure fast & easy assembly.

⚠ Warning

- 1.Don't attempt to repair or modify parts that are broken or defective. Please contact the store immediately.
- 2.This product is for home use only and not intended for commercial establishment.

⚠ Important Notes

- * Keep all hardware parts out of reach of children.
- * Must tighten screws periodically. With use screws will become loose. Check tightness of all screws every 6-8 weeks.
- * Don't attempt to repair or modify parts that are broken or defective. Please contact the store immediately.
- * Do not tighten all screws / bolts until all completely assembled.