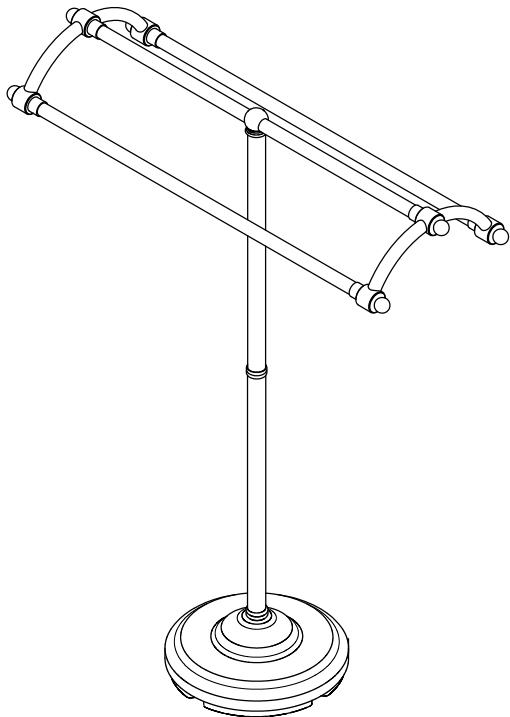


KINGSTON

KITCHEN & BATH

Pedestal Towel Rack Installation



Parts:

Bolt			Sift Head	Screw & Washer	Escutcheon Ring	Spring Washer
A	B	C	D	E	F	G
# 2	# 7	# 9	# 1	# 12	# 10	# 4
6 Pcs	1 Pc	1 Pc	6 Pcs	1 Pc	2 Pcs	2 Pcs

www.kingstonbrass.com
 TOLL-FREE CUSTOMER SERVICE: 1-877-2-KBRASS
 TECHNICAL SUPPORT E-mail: service@kingstonbrass.com
 12775 Reservoir Street, Chino, CA 91710

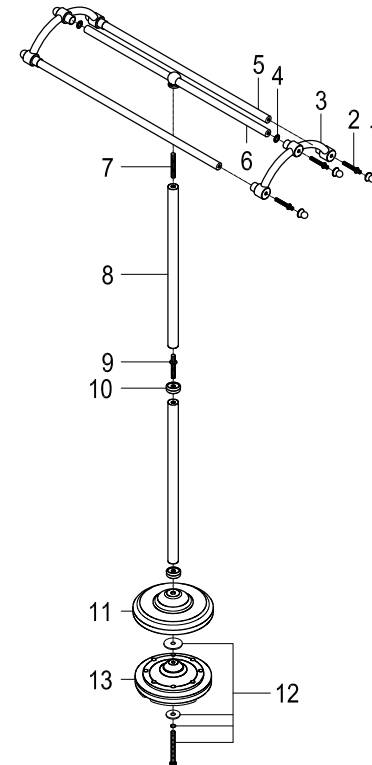
TOOLS REQUIRED



Allen Wrench



Phillips Screwdriver



Installation Steps:

Step 1. Rack Assembly:

Locate the two curved rack pieces (#3) and the three long rods (#5, #6). Attach the two side rods (#5) first and secure with long bolts (#2), do not tighten. Secure the middle rod (#6) using the long bolts (#2) and spring washers (#4) on both sides. Tighten all bolts and cover the exposed ends with sift heads (#1).

Step 2. Base Assembly:

Next, locate the base (#13), screw set (#12), base plate (#11), and two short rods (#8). Place the base (#13) on a flat surface and insert the screw and washer (#12) from the bottom. After the screw has been inserted through the base, place another washer from the top. Then slide the base plate (#11) onto the screw and base. Place an escutcheon ring (#10) on the base and screw, then secure the first short rod (#8). Place the other escutcheon ring (#10) on the first short rod then secure the second short rod with a short plated bolt (#9).

Step 3. Completing Installation:

Attach the non-plated bolt (#7) onto the base assembly and gently thread the rack assembly onto the base by rotating in a clockwise direction while keeping the base secure. Ensure that all bolts are tightened before use.

Cleaning

Clean with a damp cloth only.
 Avoid using metal or abrasive polishes.