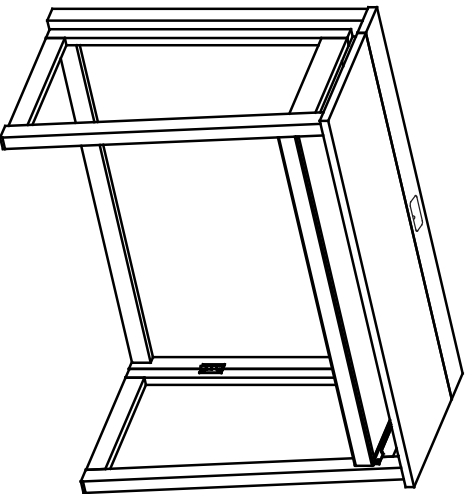
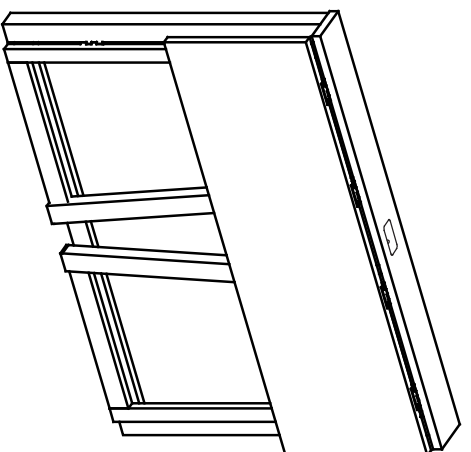
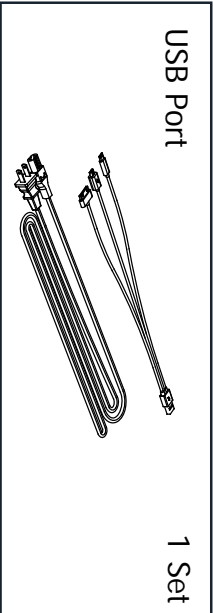


Assembly Instruction
 Item 533-4X
 Folding Desk w/Pull-Out & USB Port



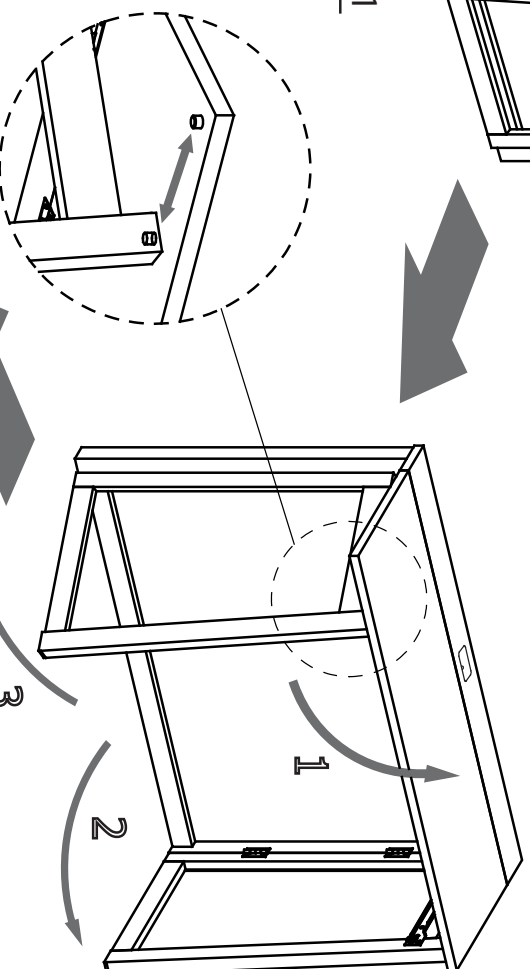
List of Parts

Parts	Description	Q'ty
A	Desk	1
B	Drawer	1

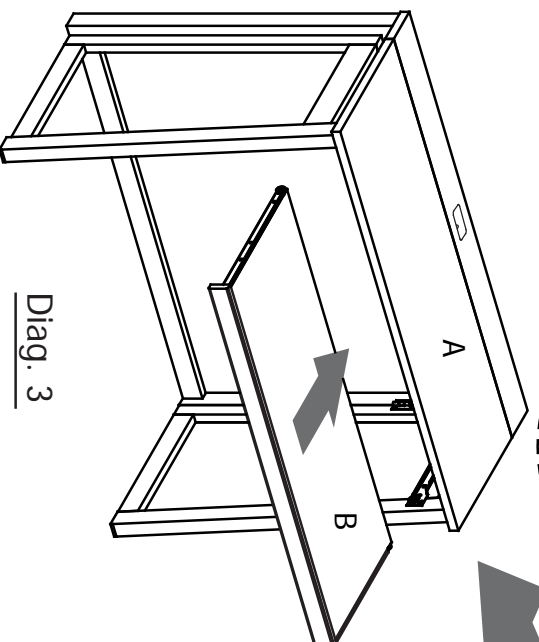


Diag. 1

Step 1: Open the desk top and unfold both side panels. Then fit the round wood peg under the desk top into the holes on top of both side panels as per diag.2.



Diag. 2

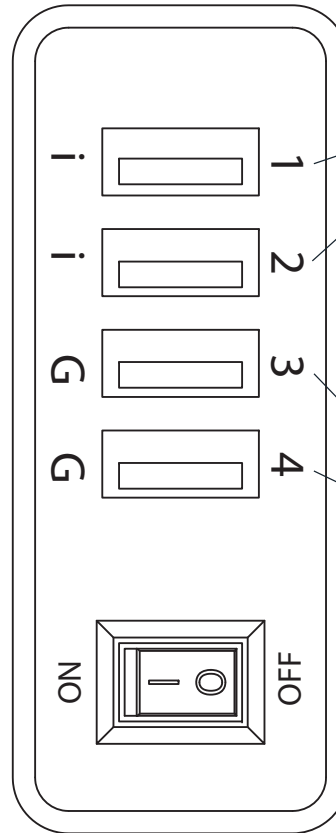


Diag. 3

Step 2: Slide in Drawer (B) as per diag. 3.

USB Adapter Specifications

Input Voltage	AC 100-240V 50/60Hz
Input Current	$\leq 350\text{mA}$ @ 220V AC w/ full load
Output Voltage	$5.0\text{V} \pm 0.25\text{V}$
Load Regulation	-0.5% (Max)
Output Current	3.1A Max
Output Ripple	$< 400\text{mV}$ p-p
Efficiency	$> 75\%$ @ 220V AC
Output Plug	USB Type A x 4
Over Power	$\approx 17\text{W}$ @ 220V AC
Short Protection	Auto Recovery



USB 1 & 2 PORTS

Fast charging ports for devices that require higher current, ideal for iPads and Android tablets, while also compatible with other mobile devices.

USB 3 & 4 PORTS

Standard USB ports, ideal for smartphones and other mobile devices.