

HZ204100TX

Maxton Bar Cart

Assembly Instructions

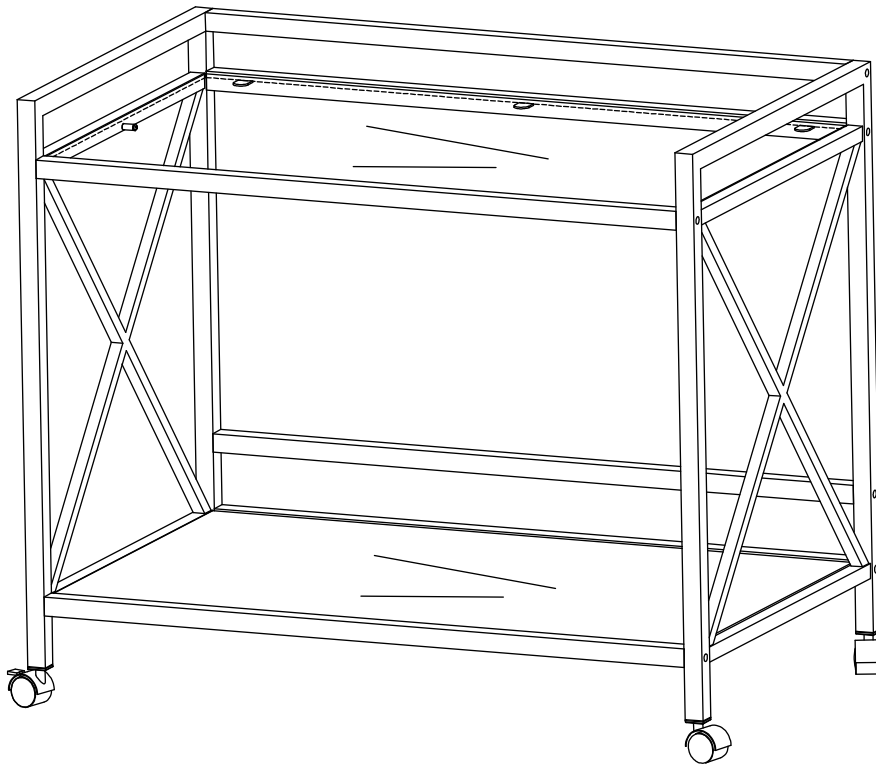


Southern
ENTERPRISES

For assistance with assembly, contact.
Southern Enterprises Inc.
Customer Service 1-800-633-5096
service@seidal.com
www.seidal.com

PO:13570

Top supports up to lb.



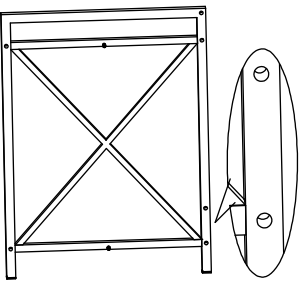
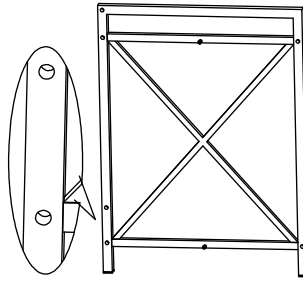
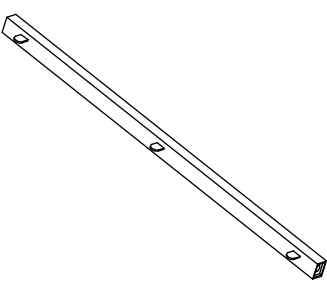
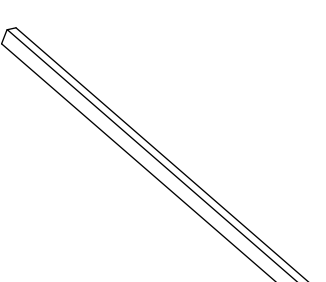
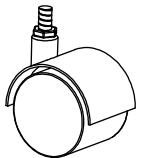
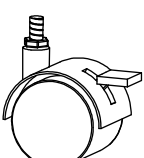


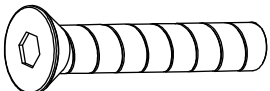
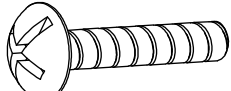

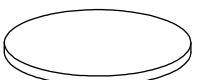
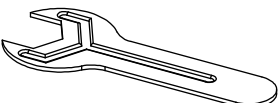

HZ204100TX

Maxton Bar Cart

Parts List

Please review all parts and hardware before disposing of any packaging.

Before beginning assembly, separate each type of hardware. Carefully study the diagrams below and check that you have all parts indicated. Call Customer Service if missing hardware. Using the incorrect hardware will cause damage.

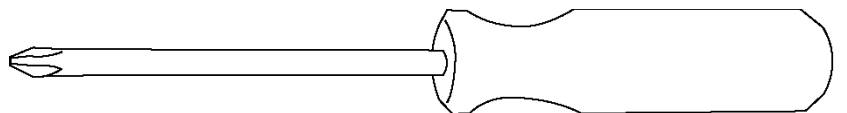
<p>1 1PC</p>  <p>Left Panel</p>	<p>2 1PC</p>  <p>Right Panel</p>	<p>3 4PCS</p>  <p>Supports</p>	<p>4 2PCS</p>  <p>Stretchers</p>
<p>5 2PCS</p>  <p>Casters w/o Brake</p>	<p>6 2PCS</p>  <p>Casters w/ Brake</p>	<p>7 1PC</p>  <p>Glass Top</p>	<p>8 1PC</p>  <p>Mirror Shelf</p>
<p>A 12PCS</p>  <p>Bolts 1/4"X1-1/2"</p>	<p>B 4PCS</p>  <p>Screws 3/16" X 1"</p>	<p>C 4PCS</p>  <p>Plastic Sleeves</p>	
<p>D 12PCS</p>  <p>Glass Pads</p>	<p>E 1PC</p>  <p>Open Wrench</p>	<p>F 1PC</p>  <p>Allen Wrench</p>	

Care and Cleaning Instructions:

Before using, wipe with a clean, dry cloth. Avoid rubbing or scratching the surface with rough or abrasive objects.

For replacement parts or questions, please call customer service at 1-800-633-5096.

Assembly Tool Required
No.2 Phillips Screwdriver



HZ204100TX

Maxton Bar Cart

Assembly Instructions

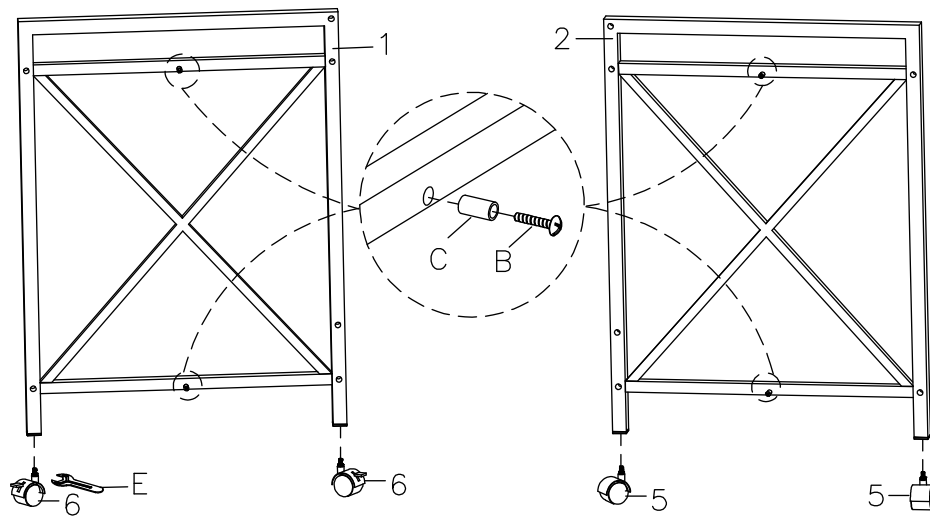


Figure 1

Step 1:

Insert Screws **(B)** into Plastic Sleeves **(C)** and attach to Left Panel **(1)** and Right Panel **(2)** as shown.

Attach Casters w/o Brake **(5)** to Right Panel **(2)** and attach Casters w/ Brake **(6)** to Left Panel **(1)**.

Tighten the nuts on Casters **(5)** and **(6)** with Open Wrench **(E)** as shown.

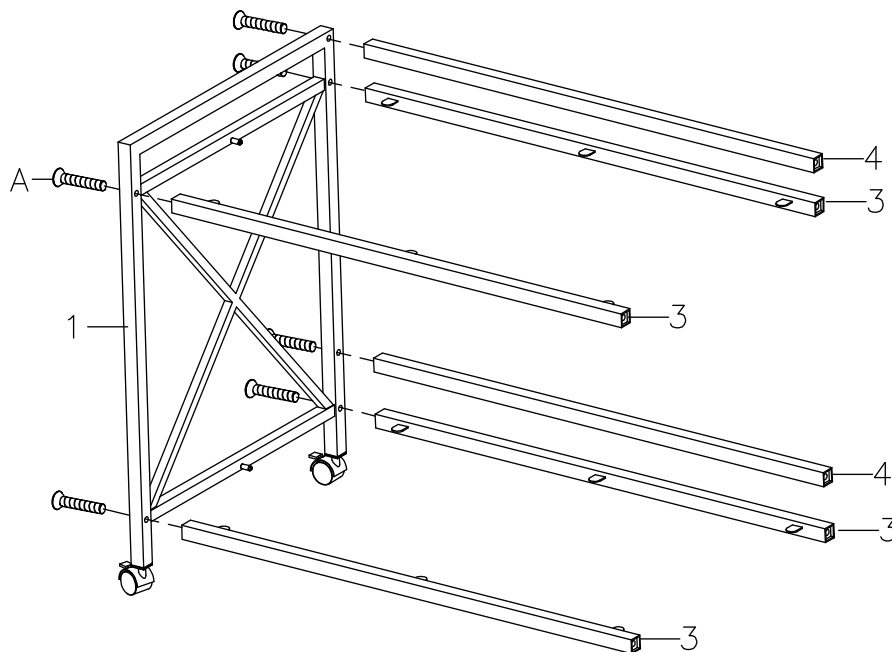


Figure 2

Step 2:

Attach Supports **(3)** and Stretchers **(4)** to Left Panel **(1)** using Bolts **(A)** as shown.

Note: Don't completely tighten the bolts.

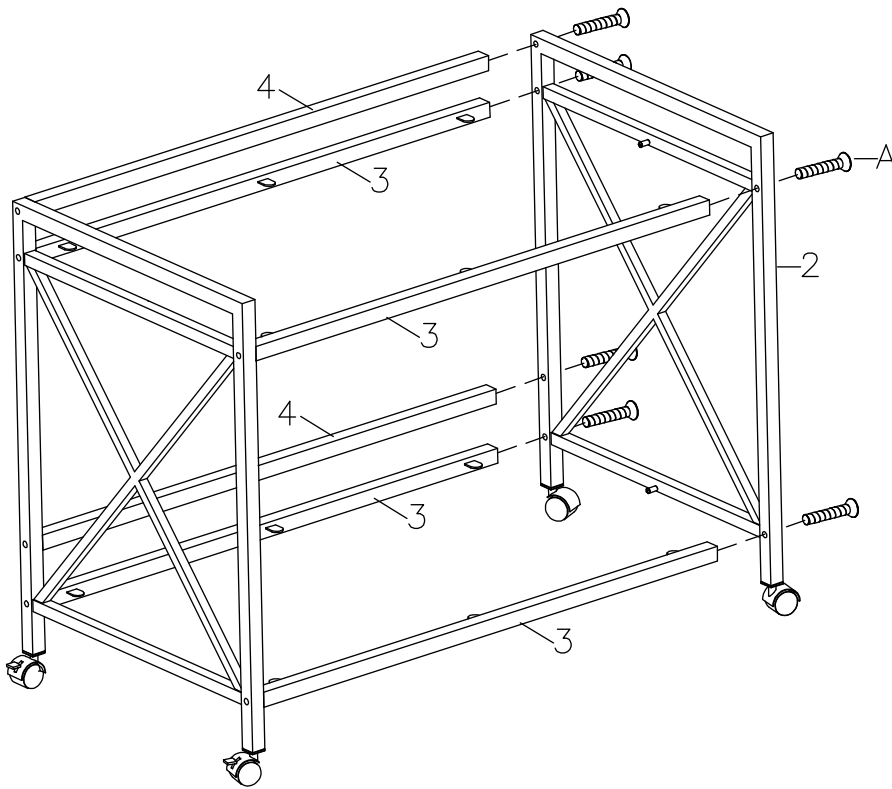


Figure 3

Step 3:

Attach Right Panel (2) to Supports (3) and Stretchers (4) using Bolts (A).

Completely tighten all bolts with Wrench (F).

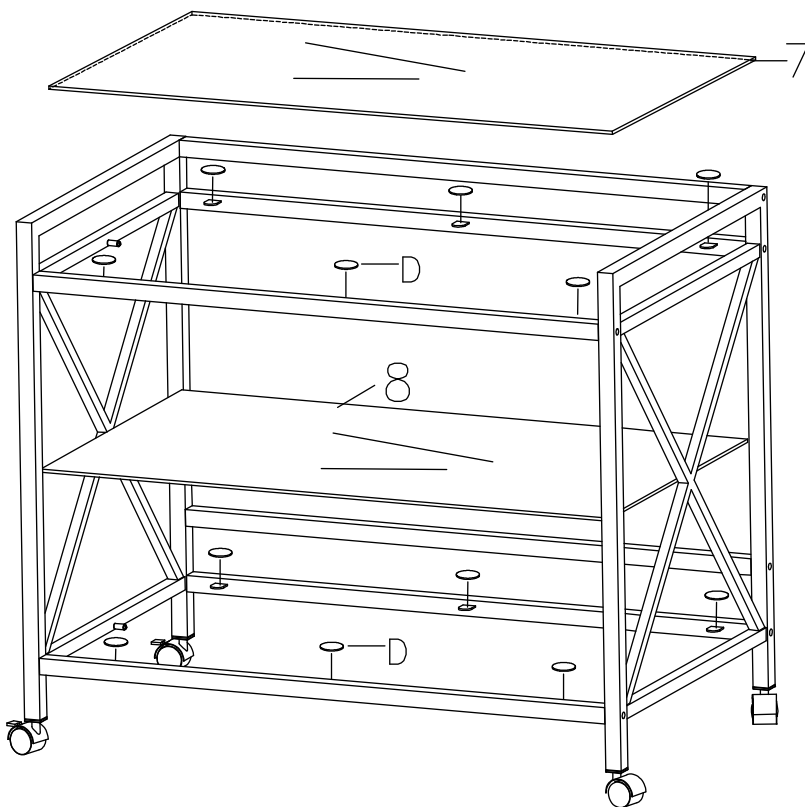


Figure 4

Step 4:

Attach Glass Pads (D) to brackets of Supports (3) as shown.

Place Glass Top (7) to the Top Frame and place Mirror Shelf (8) to Bottom Shelf Frame as shown.

Now your Maxton bar cart is ready to use!

Parts Replacement Form

Customer Information

Name

Address

City/State/Zip Code

Phone Number

Please indicate where you purchased this item: Store/Website/Catalog

Please indicate color/size/style number:

Style No	Parts Letter	Parts Description	Quantity Needed
<hr/>	<hr/>	<hr/>	<hr/>
<hr/>	<hr/>	<hr/>	<hr/>
<hr/>	<hr/>	<hr/>	<hr/>

Please immediately examine this product carefully. Any request for missing parts or damage replacement must be received within 90 days of your receipt of the product. Replacement, if available, will be honored within this time frame. Parts will not be available for items arriving fully assembled. We do not recommend modifying product(s) and we are not responsible for any damages due to product modification(s). If damages or missing parts are not reported within 90 days of your receipt, we are under no obligation to provide parts or replacement merchandise.

Please contact Southern Enterprises at 800-633-5096 or in Dallas 972-869-0111/ 9am – 4pm Mon-Fri Central time if you have product issues or email us at service@seidal.com. Please ask for customer service representative for issues involving damages or replacement parts. Please ask for technical assistance representative for any issues with product and assembly/construction.

Please contact the retailer that you purchased from for returns.



Southern
ENTERPRISES

Customer Service 1-800-633-5096

service@seidal.com

Southern Enterprises, Inc.

600 Freeport Parkway, Suite 200

Coppell, Texas 75019