

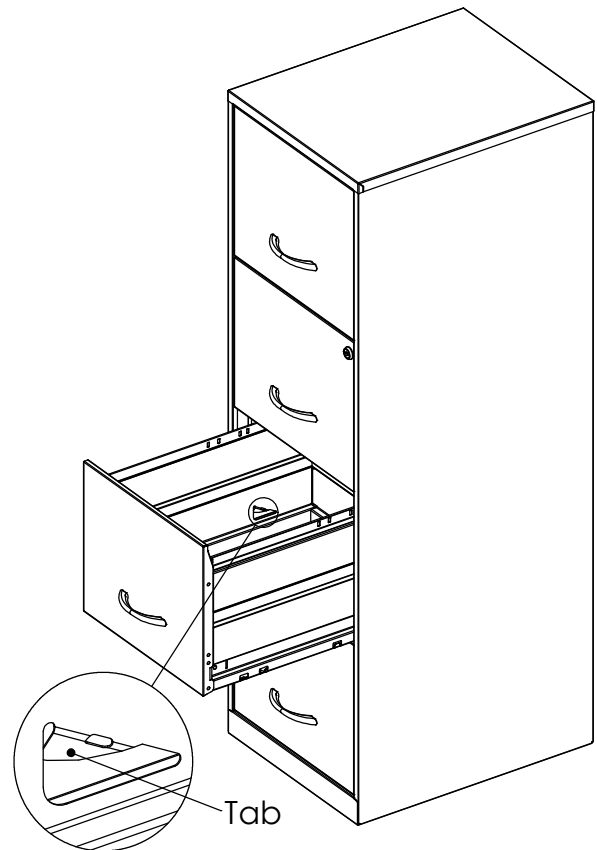
## Cross Wire Installation



1. Open one drawer at a time and empty the drawer of its contents. Close the drawer after it is empty. Empty the cabinet of all its contents.

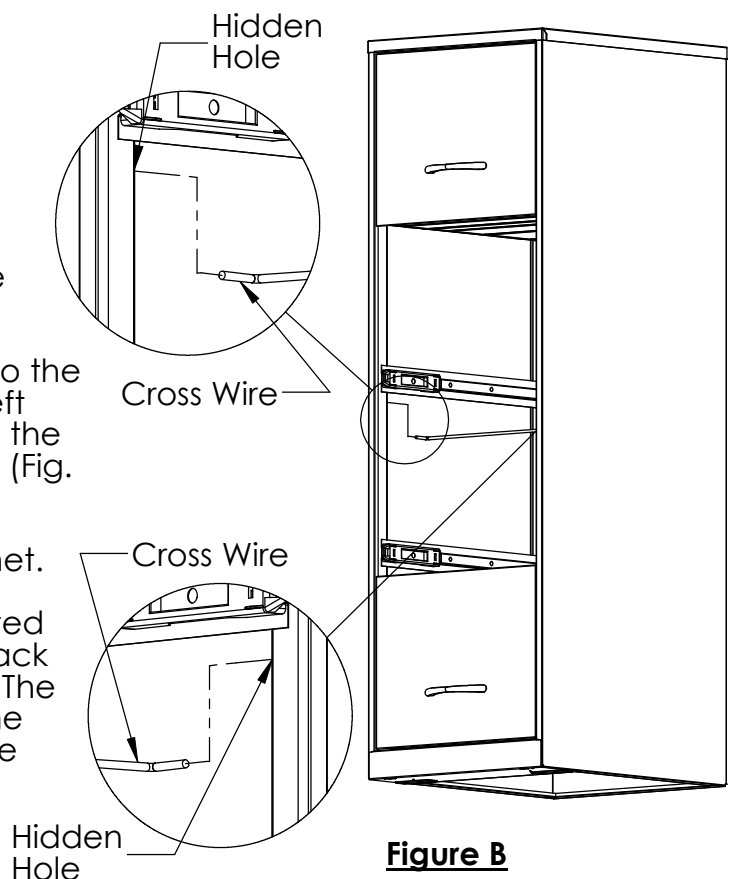
**IMPORTANT!** All the contents must be removed from the cabinet.

2. Open the second drawer from the bottom. Locate the two tabs on the left and right drawer sides. Use a flathead screwdriver to bend both tabs back toward the inside of the cabinet. (Fig. A)
3. Repeat step #2 for the third drawer from the bottom.
4. Remove the second and third drawers from the cabinet.



**Figure A**

5. Locate the two hidden holes on the inside of the cabinet. (Fig. B)
6. Insert both ends of the cross wire into the two hidden holes located on the left and right sides of the cabinet. Push the cross wire completely into the holes (Fig. B)
7. Reinstall all the drawers in the cabinet.
8. **IMPORTANT!** Bend all the tabs located on the left and right drawer sides back toward the outside of the cabinet. The tabs must be bent out to prevent the drawers from being pulled out of the cabinet.



**Figure B**