

"CLAREMONT" CONVERTIBLE MEDIA FIREPLACE

FA931000TX-CHERRY

FA931400TX-IVORY

FA931500TX-BLACK

FA931600TX-BROWN MAHOGANY

FA931700TX-GLAZED PINE

Assembly Instructions

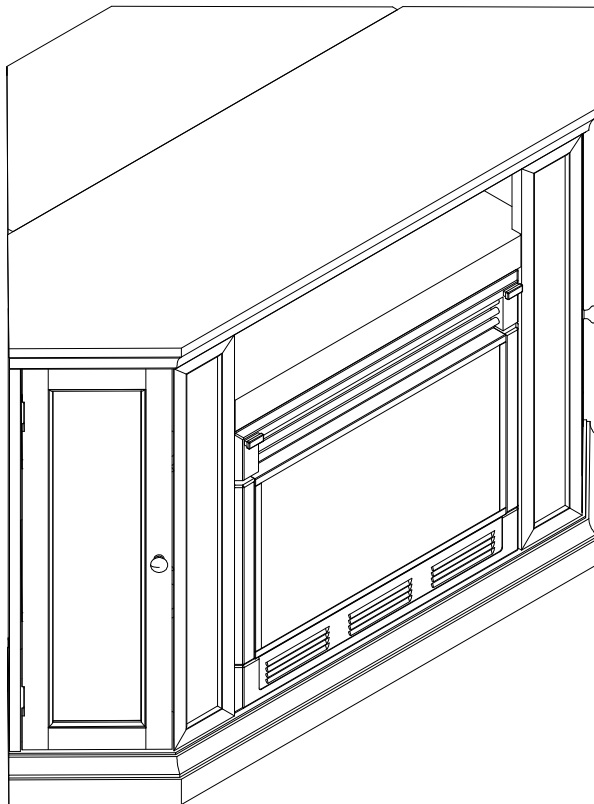


For assistance with assembly contact:  
Southern Enterprises Inc.

Customer Service 1-800-633-5096

[service@seidal.com](mailto:service@seidal.com)



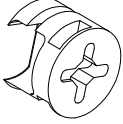
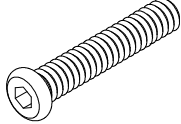
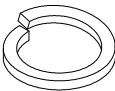
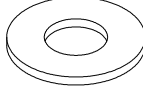


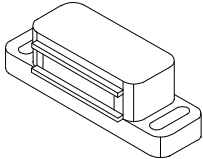
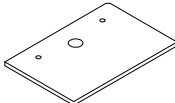
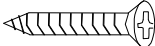
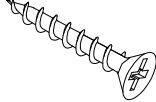
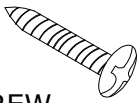
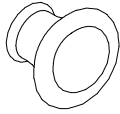
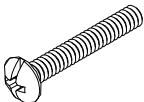
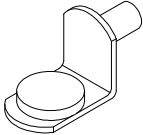
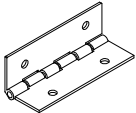
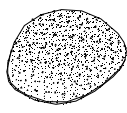
[www.seidal.com](http://www.seidal.com)



# "CLAREMONT" CONVERTIBLE MEDIA FIREPLACE

## Parts List

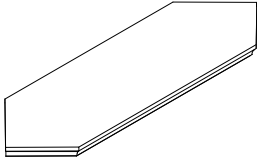
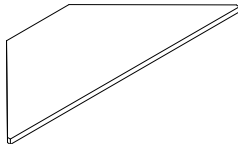
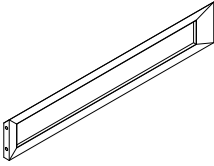
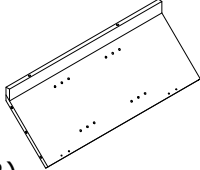
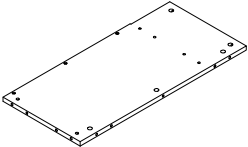
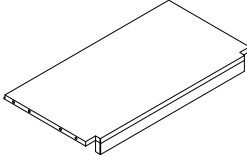
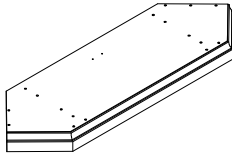
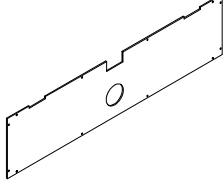
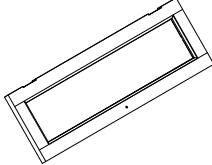
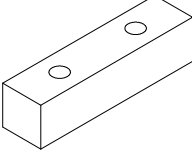
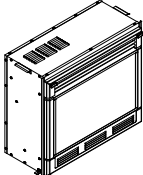
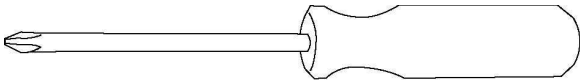
Please review all parts and hardware before disposing of any packaging.  
 Call Customer Service if missing hardware. Do not return to store/retailer.  
 Using a screw that is too long will cause damage.  
 Before beginning assembly, separate each type of screw. Carefully study the  
 screw diagrams below . You may receive extra  
 hardware with your unit.

<b>A</b>  CAM BOLT Quantity of 22	<b>B</b>  WOOD DOWEL Quantity of 32
<b>C</b>  CAM LOCK Quantity of 22	<b>D</b>  SOCKET HEXAGON BOLT Quantity of 4
<b>E</b>  SPRING WASHER Quantity of 4	<b>F</b>  FLAT WASHER Quantity of 4
<b>G</b>  ALLEN WRENCH Quantity of 1	<b>H</b>  CROSS SOCKET NUT Quantity of 4
<b>I</b>  MAGNET LOCK Quantity of 2	<b>J</b>  MAGNET PLATE Quantity of 2
<b>K</b>  FLAT HEAD SHORT SCREW Quantity of 22	<b>L</b>  FLAT HEAD LONG SCREW Quantity of 8
<b>M</b>  ROUND HEAD SCREW Quantity of 16	<b>N</b>  KNOB Quantity of 2
<b>O</b>  LONG BOLT Quantity of 2	<b>P</b>  SHELF HOLDER Quantity of 16
<b>Q</b>  HINGE Quantity of 4	<b>R</b>  COVER Quantity of 22

# CLAREMONT CONVERTIBLE MEDIA FIREPLACE

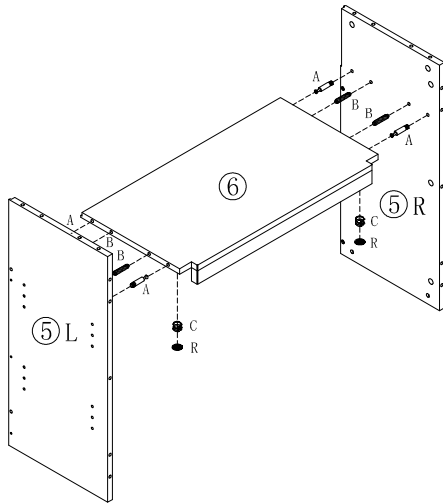
## Parts List

Please review all parts and hardware before disposing of any packaging. Call Customer Service if missing hardware. Do not return to store/retailer. Screws shown in actual size. Using a screw that is too long will cause damage. Before beginning assembly, separate each type of screw. Carefully study the screw diagrams below. You may receive extra hardware with your unit.

<p><b>(1)</b></p>  <p>Quantity of 1</p> <p>TOP PANEL</p>	<p><b>(2)</b></p>  <p>Quantity of 1</p> <p>CORNER TOP PANEL</p>
<p><b>(3)</b></p>  <p>Quantity of 2</p> <p>FRONT SIDE PANEL (L/R)</p>	<p><b>(4)</b></p>  <p>Quantity of 2</p> <p>SIDE PANEL (L/R)</p>
<p><b>(5)</b></p>  <p>Quantity of 2</p> <p>MIDDLE PARTITION PANEL (L/R)</p>	<p><b>(6)</b></p>  <p>Quantity of 1</p> <p>SHELF PANEL</p>
<p><b>(7)</b></p>  <p>Quantity of 1</p> <p>BASE</p>	<p><b>(8)</b></p>  <p>Quantity of 1</p> <p>BACK PANEL</p>
<p><b>(9)</b></p> <p>Quantity of 4</p> <p>ADJUSTABLE SHELF PANEL (L/R)</p>	<p><b>(10)</b></p>  <p>Quantity of 2</p> <p>DOOR (L/R)</p>
<p><b>(11)</b></p>  <p>Quantity of 1</p> <p>INSERT FIXED BAR</p>	<p><b>(12)</b></p>  <p>Quantity of 1</p> <p>INSERT (sold in a separate carton)</p>
<p><b>Care and Cleaning Instructions:</b>                  Before using, wipe with a clean, dry cloth. Periodically apply furniture wax to renew the finish. Avoid rubbing or scratching the surface with rough or abrasive objects.</p>	<p>For replacement parts or questions, please Call Customer Service at 1-800-633-5096 Do not return product to store, please call Manufacturer for assistance, questions or Parts.</p>
<p><b>Assembly Tool Required</b>  <b>No.2 Phillips Screwdriver (Not Included)</b></p>	

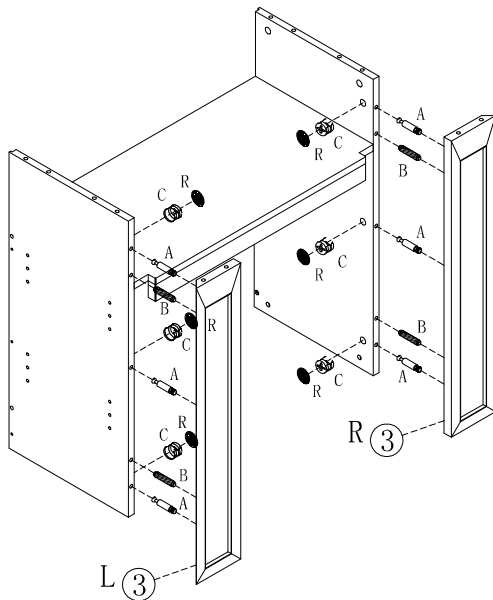
# CLAREMONT CONVERTIBLE MEDIA FIREPLACE

## Assembly Instructions



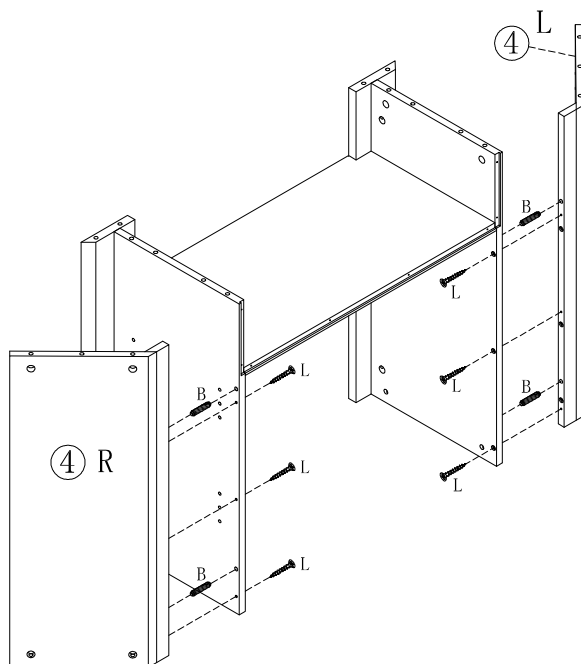
**Figure 1**

INSERT ( A ) CAM BOLT & ( B ) WOOD DOWEL TO THE RELATED HOLES, THEN USE ( C ) CAM LOCK TO CONNECT ( 5 ) SUPPORT PANELS & ( 6 ) SHELF PANEL. FINALLY **PLACE** ( R ) COVER IN CAM LOCK.



**Figure 2**

AFTER ASSEMBLED FIGURE 1, INSERT ( A ) CAM BOLT & ( B ) WOOD DOWEL TO THE RELATED HOLES, THEN USE ( C ) CAM LOCK TO CONNECT ( 3 ) FRONT SIDE PANEL. FINALLY **PLACE** ( R ) COVER IN THE CAM LOCK.

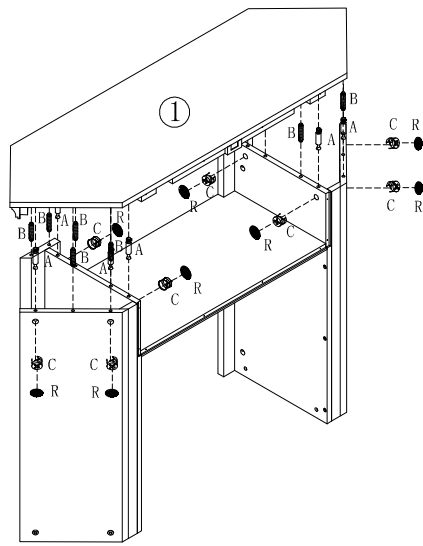


**Figure 3**

AFTER ASSEMBLED FIGURE 2, INSERT ( B ) WOOD DOWEL TO THE RELATED HOLES, THEN USE ( L ) WOOD SCREW TO CONNECT ( 4 ) SIDE PANEL.

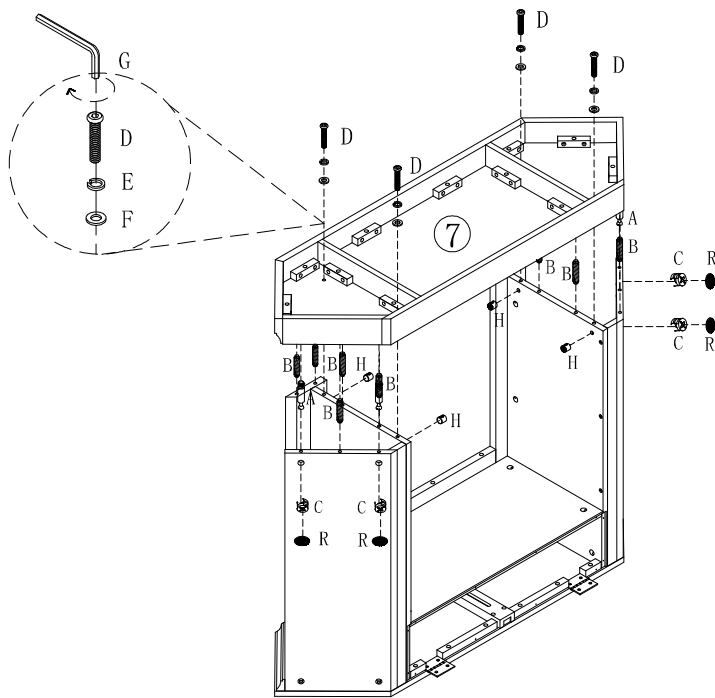
# CLAREMONT CONVERTIBLE MEDIA FIREPLACE

## Assembly Instructions



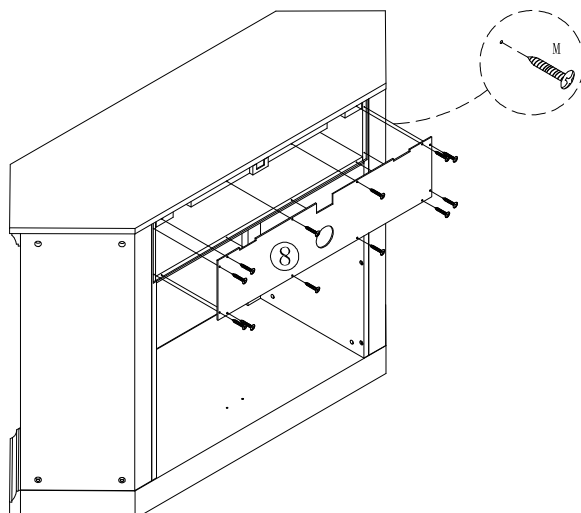
**Figure 4**

AFTER ASSEMBLED FIGURE 3, INSERT ( A ) CAM BOLT & ( B ) WOOD DOWEL TO THE RELATED HOLES, THEN USE ( C ) CAM LOCK TO (1) CONNECT TOP PANEL . FINALLY **PLACE** (R) COVER IN CAM LOCK.



**Figure 5**

AFTER ASSEMBLED FIGURE 4, INSERT ( A ) CAM BOLT & ( B ) WOOD DOWEL TO THE RELATED HOLES, THEN USE ( C ) CAM LOCK TO CONNECT (7) BASE . INSERT (D) SOCKET HEXAGON BOLT TO THE RELATED HOLES THROUGH (E) SPRING WASHER & (F) FLAT WASHER, THEN **PLACE** (R) COVER IN THE CAM LOCK .

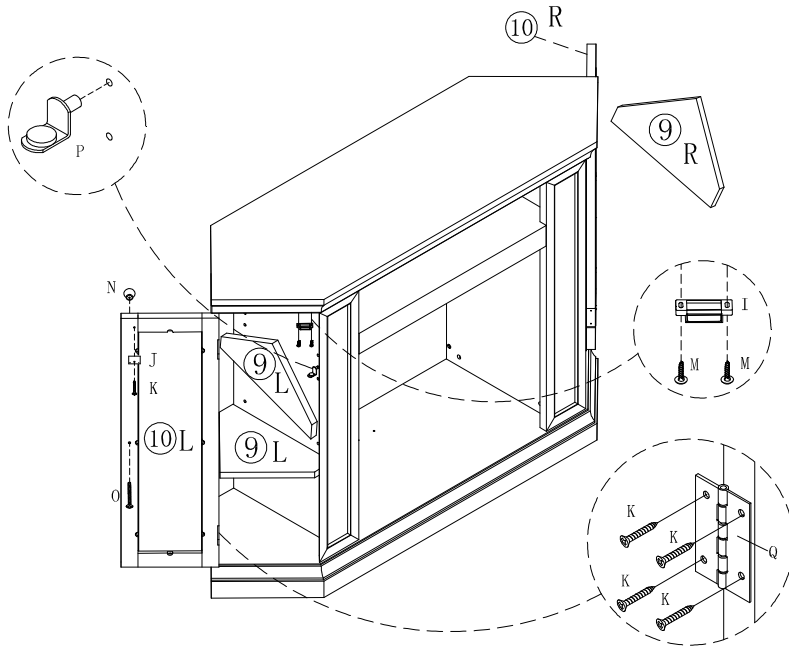


**Figure 6**

AFTER ASSEMBLED FIGURE 5, USE ( M ) WOOD SCREW TO CONNECT (8) UPPER BACK PNAEL .

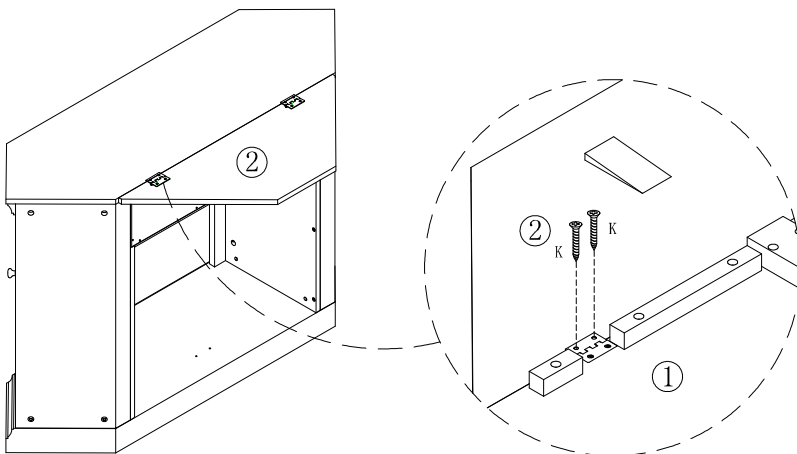
# CLAREMONT CONVERTIBLE MEDIA FIREPLACE

## Assembly Instructions



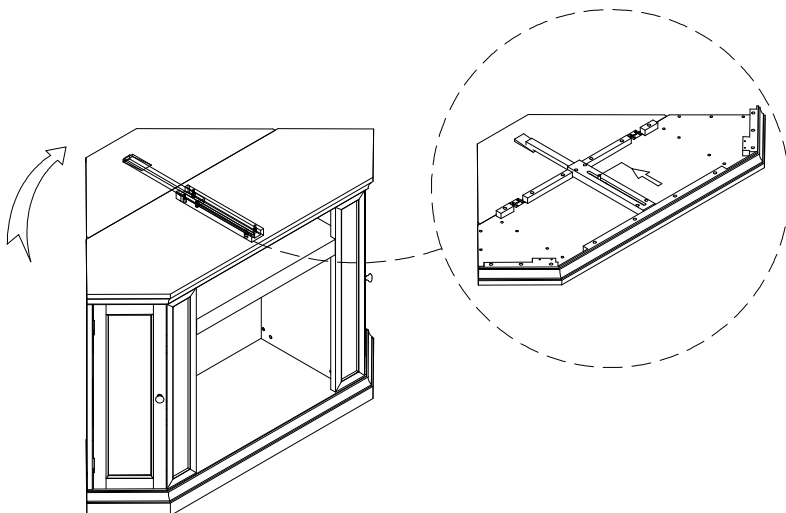
**Figure 7**

AFTER ASSEMBLED FIGURE 6,  
USE ( K ) WOOD SCREW & (Q)  
HINGE TO CONNECT (10)DOORS .  
INSERT (P) SHELF HOLDER TO  
THE RELATED HOLES, THEN PUT  
(9) ADJUSTABLE SHELF PANELS  
ON THE ( P ) SHELF HOLDERS.  
THEN USE(M) WOOD SCREW AND  
(I) MAGNET LOCK ON THE  
RELATED HOLES; USE (K) WOOD  
SCREW AND (J) MAGNET PLATE  
ON THE RELATED PLACE.  
PUT(10) DOOR TO THE RELATED  
PLACE ASSEMBLED(N) KNOB TO  
THE RELATED PLACE OF DOOR,  
LOCK BY(O) LONG BOLT.



**Figure 8**

AFTER ASSEMBLED FIGURE 7,  
USE ( K ) WOOD SCREW TO  
CONNECT (2) CORNER TOP  
PANEL .

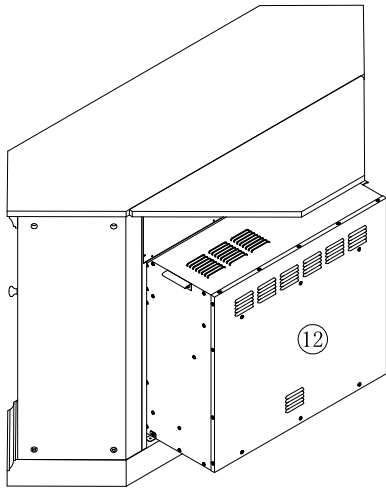


**Figure 9**

PULL -OUT OF THE WOOD BAR  
FORM THE SURPORT WOOD  
SLIDE, SO THE CORNER TOP  
PANEL WILL KEEP PARALLEL  
WITH THE TOP PANEL.

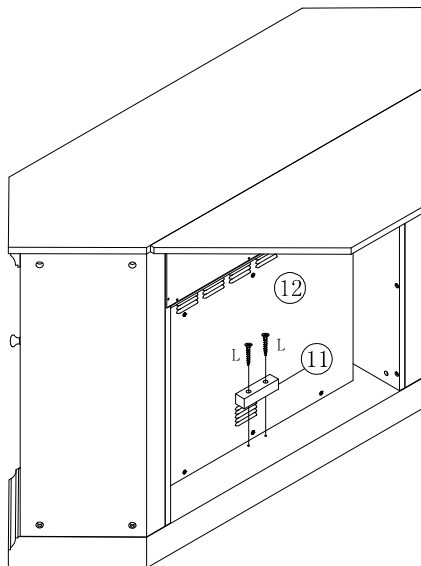
# CLAREMONT CONVERTIBLE MEDIA FIREPLACE

## Assembly Instructions



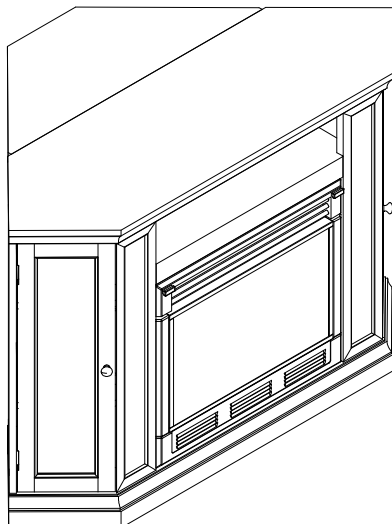
**Figure 10**

PUSH (R) INSERT TO THE RELATED PLACE OF MAIN BODY.



**Figure 11**

INSERT THE (L) WOOD SCREW INTO THE RELATED HOLES OF (11) INNER FIXED BAR ,THEN USE SCREWDRIVER TO LOCK IT TIGHTLY.



# Parts Replacement Form

## Customer Information

Name \_\_\_\_\_

Address \_\_\_\_\_

City/State/Zip Code \_\_\_\_\_

Phone Number \_\_\_\_\_

Please indicate where you purchased this item: Store/Website/Catalog  
\_\_\_\_\_

Please indicate color/size/style number:  
\_\_\_\_\_

Style No	Parts Letter	Parts Description	Quantity Needed
_____	_____	_____	_____
_____	_____	_____	_____
_____	_____	_____	_____

Please immediately examine this product carefully. Any request for missing parts or damage replacement must be received within 90 days of your receipt of the product. Replacement, if available, will be honored within this time frame. Parts will not be available for items arriving fully assembled. We do not recommend modifying product(s) and we are not responsible for any damages due to product modification(s). If damages or missing parts are not reported within 90 days of your receipt, we are under no obligation to provide parts or replacement merchandise.

Please contact Southern Enterprises at 800-633-5096 or in Dallas 972-869-0111/ 9am – 4pm Mon-Fri Central time if you have product issues or email us at [service@seidal.com](mailto:service@seidal.com). Please ask for customer service representative for issues involving damages or replacement parts. Please ask for technical assistance representative for any issues with product and assembly/construction.

Please contact the retailer that you purchased from for returns.



Customer Service 1-800-633-5096

[service@seidal.com](mailto:service@seidal.com)

Southern Enterprises, Inc.

600 Freeport Parkway, Suite 200

Coppell, Texas 75019





## **CAUTION**

The top shelf is intended for a flat screen television with a maximum overall width of 46" and supports up to 85lb.

Each center shelf should not be loaded with more than 20 lb. Each side shelf should not be loaded with more than 10 lb. The extension panel not be loaded with more than 6 LBS.

**DO NOT EXCEED RECOMMENDED LOAD.** Use with products heavier than the maximum sizes and weights indicated may result in instability causing possible injury.

This unit contains a permanent warning sticker located on under side of top shelf or inside drawer.

Do not allow children under 16 years old to move the cart.

Model: FA931000TX/FA931400TX  
FA931500TX/FA931600TX  
FA931700TX

"CLAREMONT" CONVERTIBLE MEDIA FIREPLACE

Southern Enterprises, Inc  
600 Freeport Parkway, Suite 200  
Coppell, Texas, 75019  
Manufacture Date: