

KBU14

31 1/2 Inch Undermount Single Bowl Stainless Steel Kitchen Sink

Kräus[®]

SPECIFICATION SHEET

Sink Dimensions

Overall Dimensions: 31 1/2" x 18 3/8"

Bowl Dimensions: 29 1/2" x 16 1/4"

Sink Depth: 9 7/8"

Features

- 16 Gauge Stainless Steel Construction
- Single Bowl Undermount Pressed Sink
- Required Minimum Cabinet Size: 36" Left to Right, 24" Front to Back
- Center-Set Drain
- 3 1/2" Drain Opening
- NoiseDefend Undercoating and Sound Dampening Pads

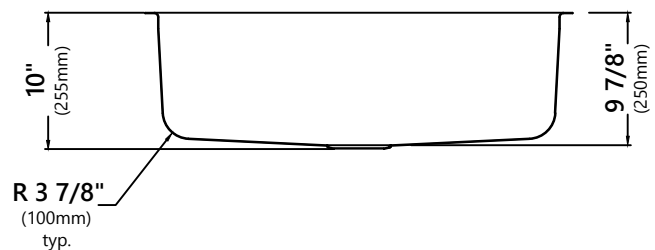
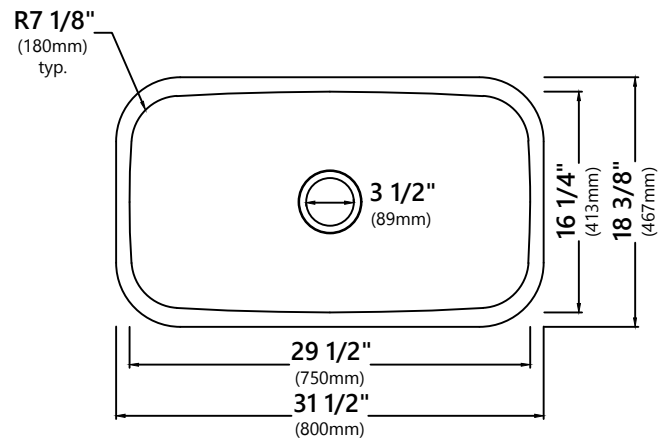
Accessories Included

- Basket Strainer BST-1
- Bottom Grid KBG-14
- Cut-Out Template
- Mounting Hardware
- Towel

CODES/STANDARDS:

Product Certification

cUPC (ASME A112.19.3/CSA B45.4)



Warranty

Kraus Limited Lifetime Warranty

see website for details www.kraususa.com

Kraus USA Customer Service

1.800.775.0703 | customerservice@kraususa.com

REV. December 3, 2019

KBG-14

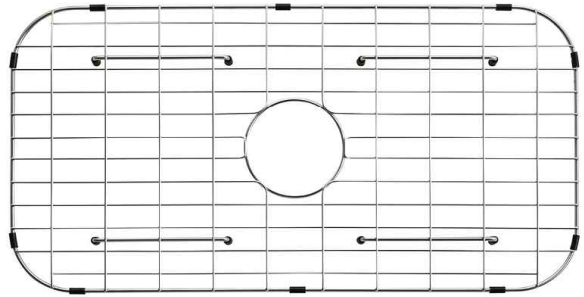
Stainless Steel Kitchen Sink Bottom Grid

Grid Dimensions

Overall Dimensions: 27 1/2" x 14" x 1 1/4"

Features

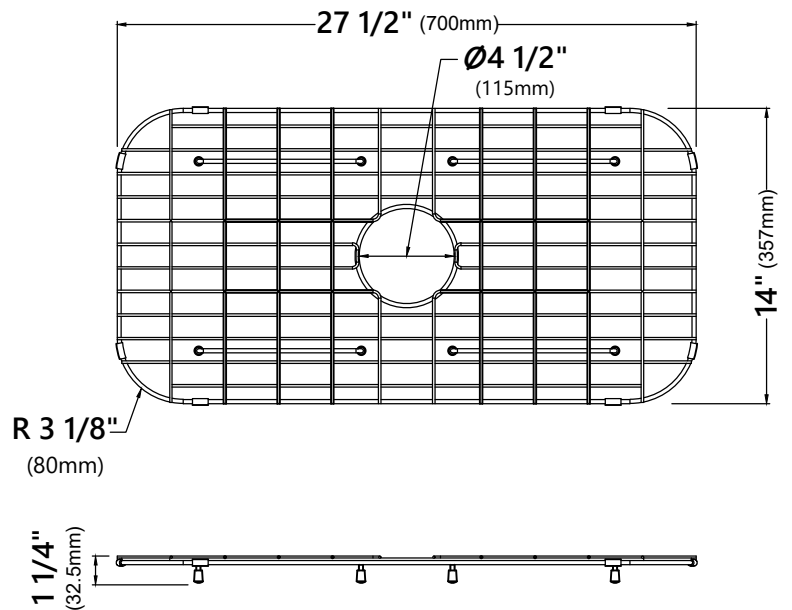
- Commercial grade stainless steel construction
- For Use with the KBU14 and KBU14E kitchen sinks
- Protects bottom of sink from daily wear and tear
- Rubber feet provide additional protection



Warranty

Kraus One Year Limited Warranty

see website for details www.kraususa.com



BST-1

Stainless Steel Basket Strainer

Basket Strainer Dimensions

Overall Dimensions: 4 1/2" x 4 1/2"

Features

- Premium Stainless Steel Construction
- Fits Standard 3 1/2" or 4" Drain Openings
- Removable Basket Prevents Debris from Clogging Drain Pipe

Warranty

Kraus Limited Lifetime Warranty

see website for details www.kraususa.com

