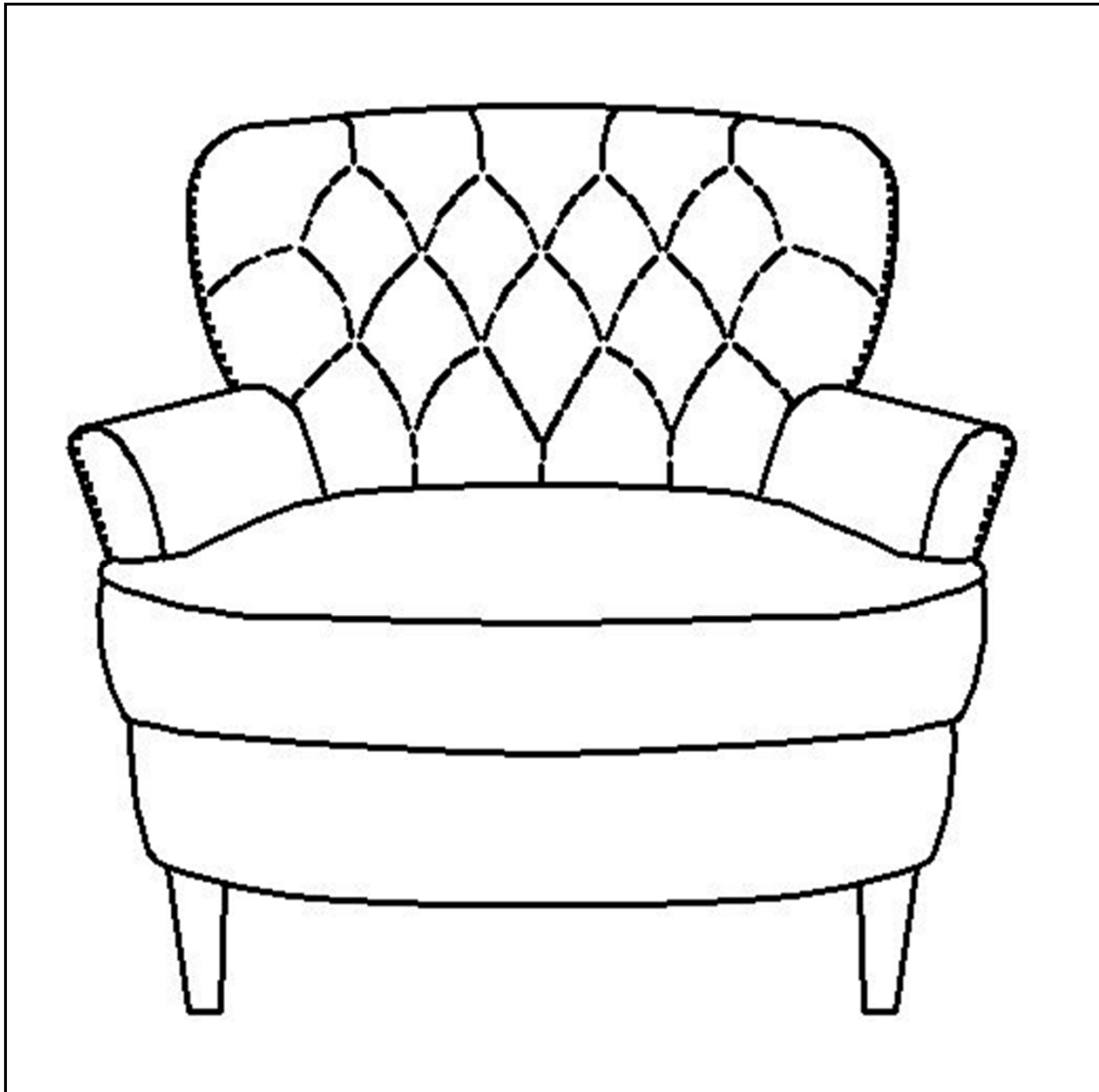


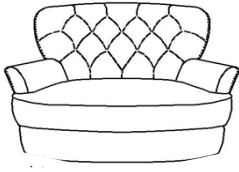

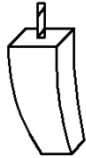
Assembly Instructions

Caution: You must read this before you proceed.


Club Chair



Parts List

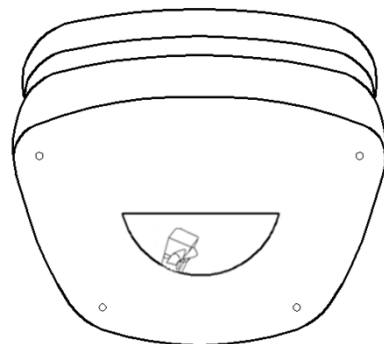
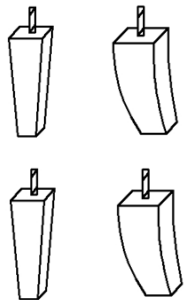
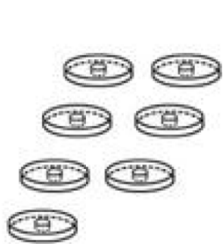
Label	Picture	Description	QTY
A		Chair	1
B		Front Wooden Leg	2
C		Back Wooden Leg	2

Hardware

Label	Picture	Description	QTY
1		Washer Ring	7

Assembly Preparation

Before Beginning Assembly:



- Read instructions, cover to cover-



- Have 2 adults on hand for assembly-



- Do not assemble on flooring or carpet-



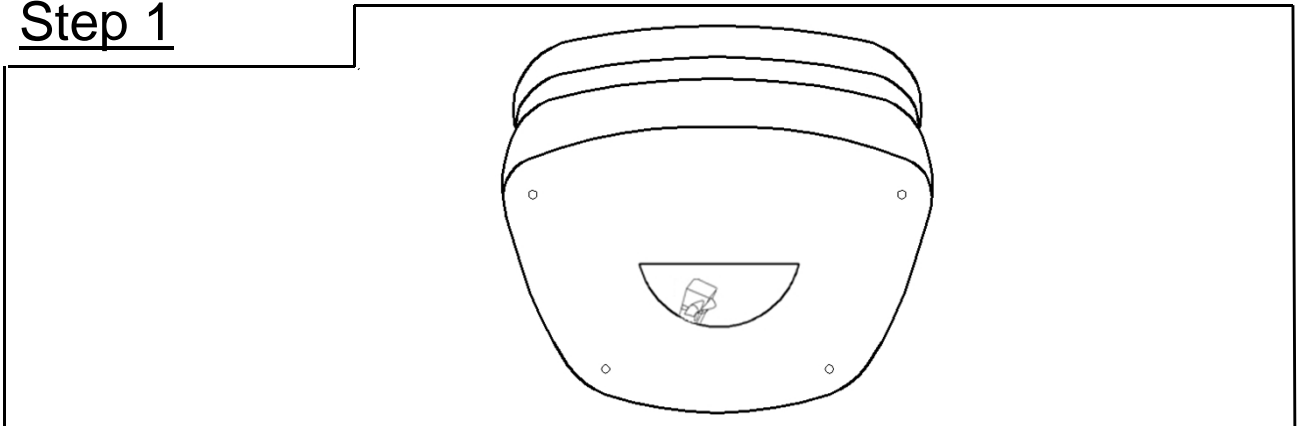
- Assemble on a clean non-marring surface (packing foam)-



- Save all packaging until finished-

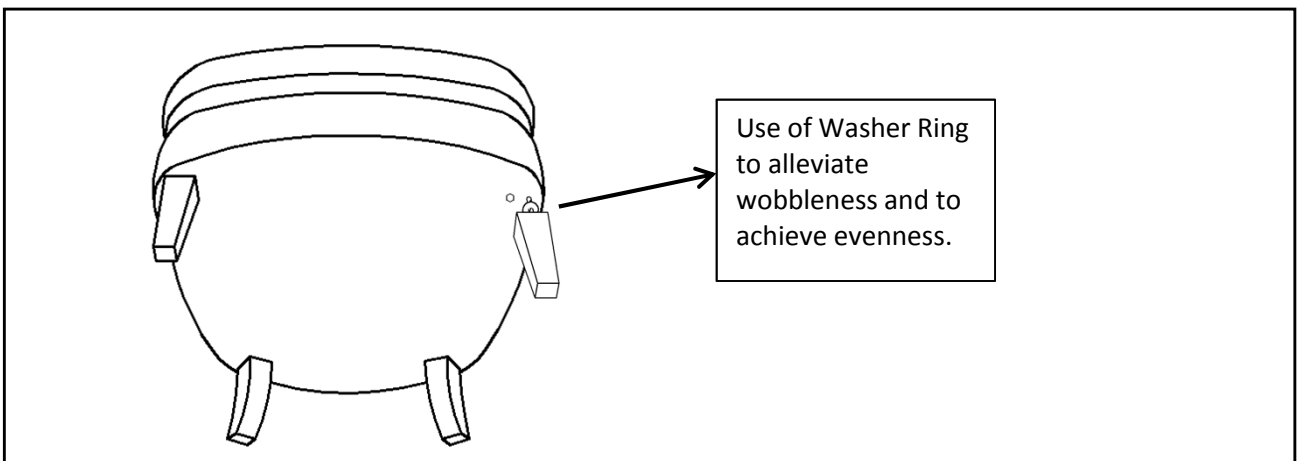
Assembly Steps

Step 1

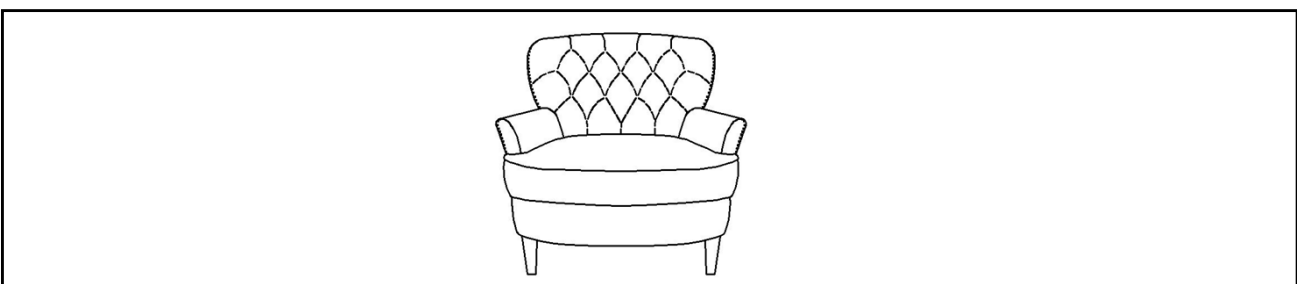


Position the Chair on its back, as shown.
Unzip to open and remove the 4 wooden legs. Close the pouch.

Step 2



Install the Front Wooden Leg (B) into the Chair front by putting a Washer Ring (optional) on the threaded stem and then insert the threaded stem into the threaded mounting position at the corner of the bottom of the Chair.
Tighten by turning leg clockwise. Repeat the same procedure to install the other 3 remaining legs.



Make sure all parts are connected and locked into position.
Finally the Chair is ready for use.

Care & Maintenance



- Do not put hot items directly on furniture surface.



- Do not clean furniture with harsh cleansers or polish.



- Do not place furniture under direct sunlight.



- Do not place furniture near heating or cooling vents.



- Do not write on furniture without a padded barrier to protect the surface.



- Do not place furniture outside. For indoor use only.



- Not for commercial use. For residential use only.



- Stains may be removed with mild soap solution and damp cloth.



- Dust and pick-up spills using a clean, non-colored, lint-free cloth.