

## CARE AND MAINTENANCE

Store outdoor furniture indoors or cover well when not in use.

Remove wooden furniture from standing water. Dust regularly with small brush or vacuum



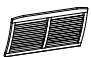
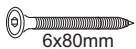
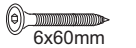

Spills should be taken care of immediately before they harden or stain with a slightly dampened sponge.

## NOTICE

- \* Please make sure that you have all parts indicated before you begin assembly of this item
- \* This item should be assembled on a soft surface to prevent scratching the finish during assembly
- \* This item may require periodic tightening

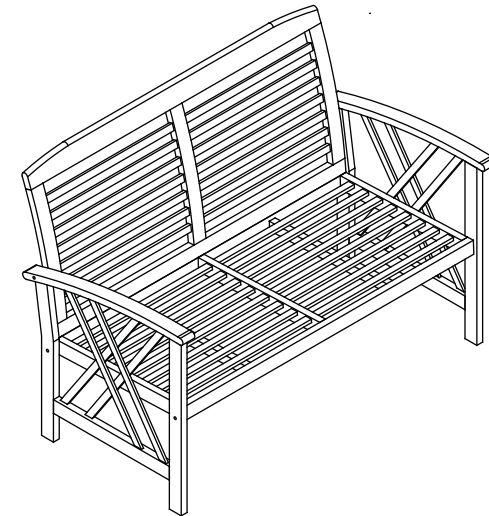
 **SAFAVIEH**  
O U T D O O R

## Part List and Hardware List

PIECE	DESCRIPTION	PICTURE	QUANTITY
A	Leg Frame		2X
B	Seat Frame		1X
C	Back frame		1X
D	Screw -1	 6x80mm	2X
E	Screw -1	 6x60mm	8X
H1	Allen key		1X

Model# PAT7008

Product Dimensions:46.85" W x 26.38" D x 32.38" H



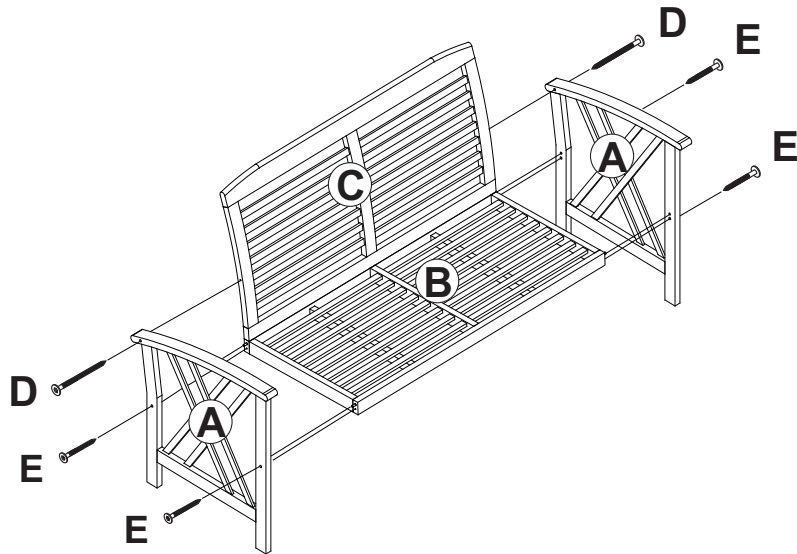
## PREPARATION

Before beginning assembly of product, make sure all parts are present. Compare parts with package contents list and hardware contents list. If any part is missing or damaged, do not attempt to assemble the product.

Estimated Assembly Time: 10 minutes.

Tools Required for Assembly (included): Allen Key

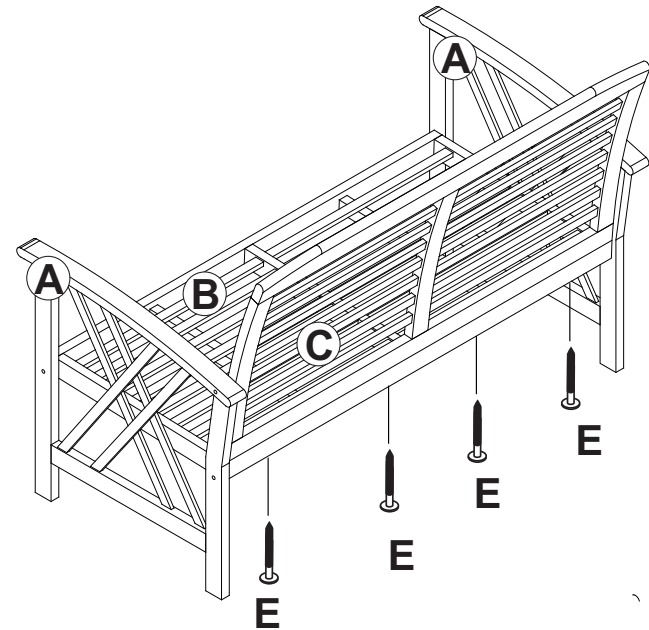
1



### Step 1

Attach leg frame (A) to back frame (C), use screws-1 (D), tighten with allen key(H1). Use screw -1 (E) to connect leg frame (A) with seat frame (B), tighten with allen key (H1).

2



### Step 2

Tighten screw- 1 (E) with allen key (H1) to attach seat frame (B) and back frame (C)