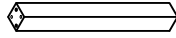
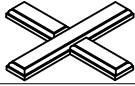

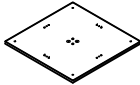








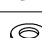

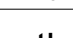
HELENA ROUND DINING TABLE

Assembly instructions:

PART LIST

No.	DESCRIPTION	IMAGE	QTY
P1	CENTER POST		1
P2	BASE		1
P3	CROWN CURVED LEG		4
P4	MOUNTING PLATE		1
P5	ROUND TABLE TOP		1

HARDWARE LIST

No.	DESCRIPTION	IMAGE	QTY
H1	BOLT(Ø1/4 * 2-1/4")		6
H2	BOLT(Ø1/4 * 1-1/2")		6
H3	BOLT(Ø5/16 * 1-1/4")		4
H4	SPRING WASHER(Ø1/4*13* 1.2MM)		12
H5	FLAT WASHER(Ø1/4*19* 1.8MM)		12
H6	SPRING WASHER(Ø5/16*13* 1.2MM)		4
H7	FLAT WASHER(Ø5/16*19* 1.8MM)		4
H8	ALLEN KEY(L57MM *4MM)		1

NOTE: PO# is located underneath/ inside of each item. Please be prepared to provide this # should any claim be necessary.
CAUTION: Item is heavy assembly should be performed by two people.

