

CARE AND MAINTENANCE

Spot clean using a mild water-free solvent. Only a professional cleaner should undertake a complete overall cleaning.

The use of steam or water-based cleaners may cause excessive shrinking or staining.

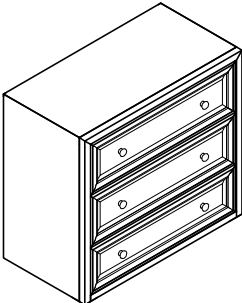
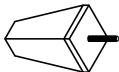

NOTICE

* Please make sure that you have all parts indicated before you begin assembly of this item

* This item should be assembled on a soft surface to prevent scratching the finish during assembly

* This item may require periodic tightening.

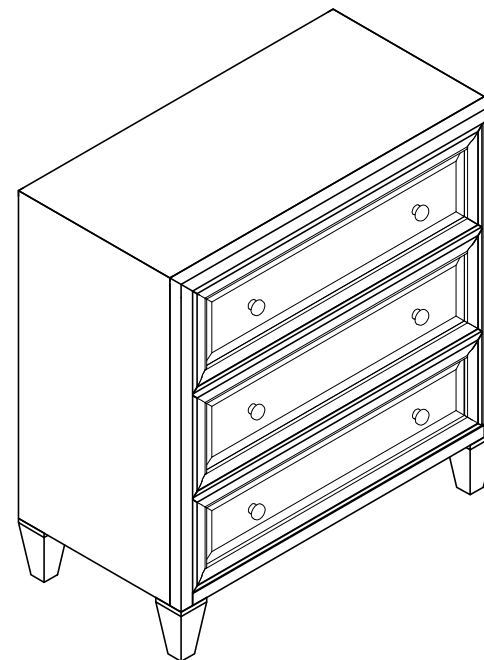
PART LIST AND HARDWARE LIST

| PIECE | DESCRIPTION | PICTURE | QUANTITY |
|-------|--------------|---|----------|
| A | SERVER |  | 1X |
| B | LEGS |  | 4X |
| H1 | ANTI TIP KIT |  | 1X |

SAFAVIEH FURNITURE

Model #: CHS9202

Product Dimensions: 25"W x 15"D x 28"H



Weight capacity: 25lbs

WARNING: DO NOT STAND ON NIGHTSTAND

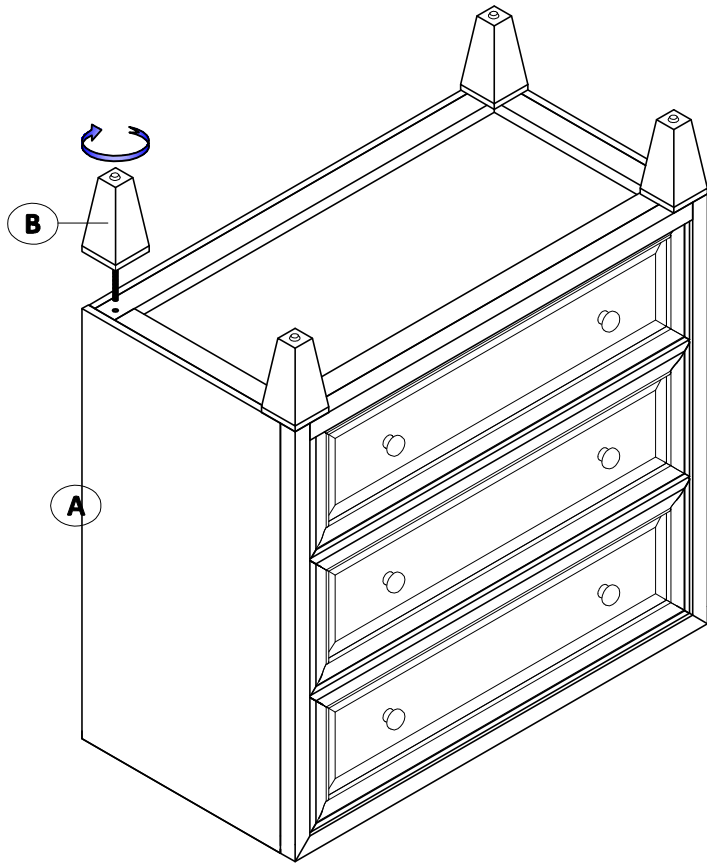
WARNING: DO NOT OVER TORQUE BOLTS

PREPARATION

Before beginning assembly of product, make sure all parts are present. Compare parts with package contents list and hardware contents list. If any part is missing or damaged, do not attempt to assemble the product.

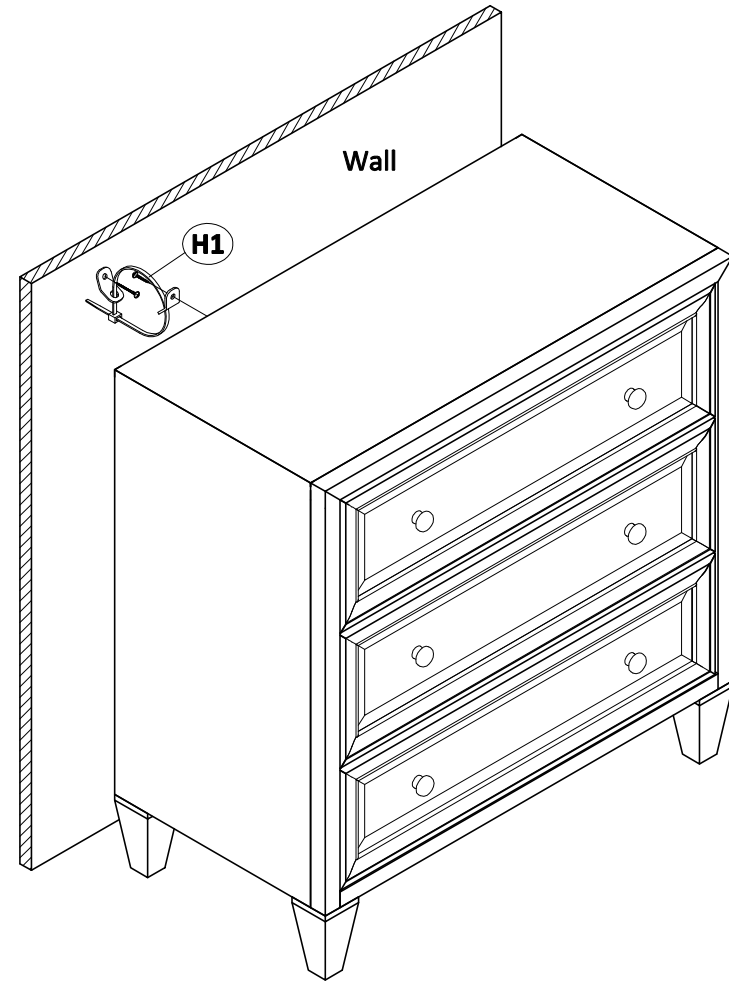
Estimated Assembly Time: 5 minutes.

Tools Required for Assembly (included): Allen Key



STEP 1

★ **PLEASE NOTE:** To help prevent the possibility of tip-over, install the tipover restraint provided.



STEP 2