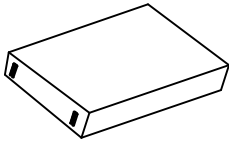


ASSEMBLY INSTRUCTION

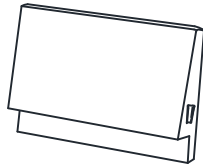
LOVE SEAT

A Seat Frame



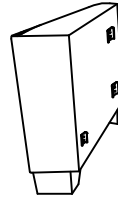
1pc

B Back Frame



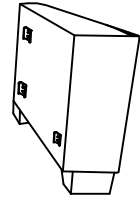
1pc

C Left Panel



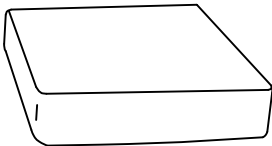
1pc

D Right Panel



1pc

E Seat Cushion

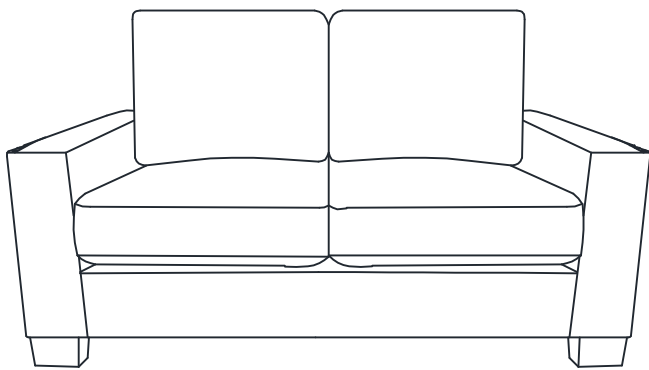


2pcs

F Back Cushion

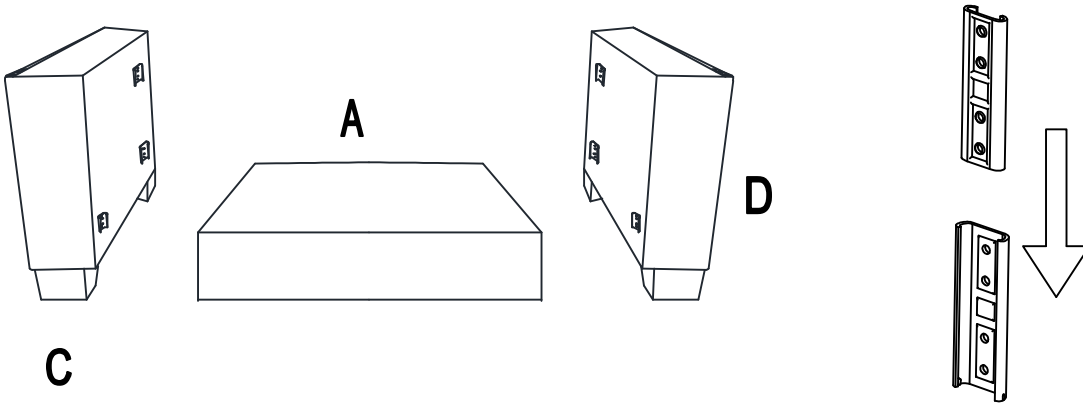


2pcs

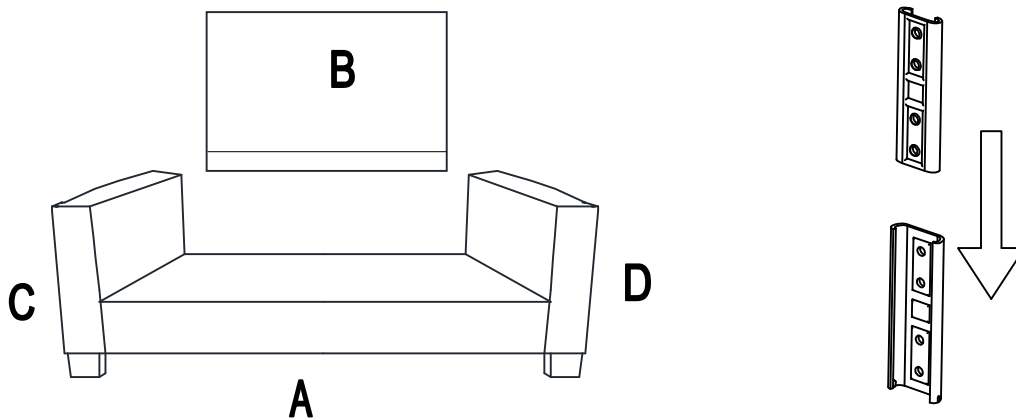


This page lists all the contents included in the box. As you unpack and prepare for assembly, place the contents on a carpeted or padded area to protect them from damage.

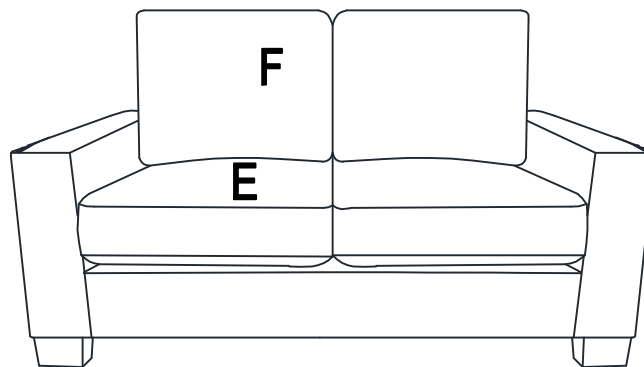
1 Hook on the Left Panel (C) & Right Panel (D) to Seat Frame (A) properly.



2 Hook on the Back Frame (B) to Left Panel (C) & Right Panel (D) properly.



3 Place Seat Cushion (E) and Back Cushion (F) on the chair properly.



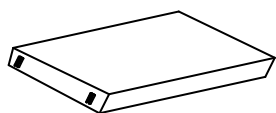
Cleaning & Care

Treat surface with care. Surface is resistant to scratches but is not scratch resistant. Clean surfaces with a dry or damp soft cloth. Do not use abrasive cleaners.

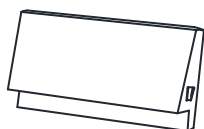
ASSEMBLY INSTRUCTION

SOFA

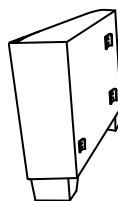
- A** Seat Frame **B** Back Frame **C** Left Panel **D** Right Panel



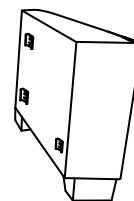
1pc



1pc

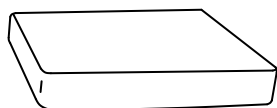


1pc



1pc

- E** Seat Cushion **F** Back Cushion **G** Plastic Leg



2pcs: 38.58" × 31.1" × 9.25"

3pcs: 26.38" × 31.1" × 9.25"

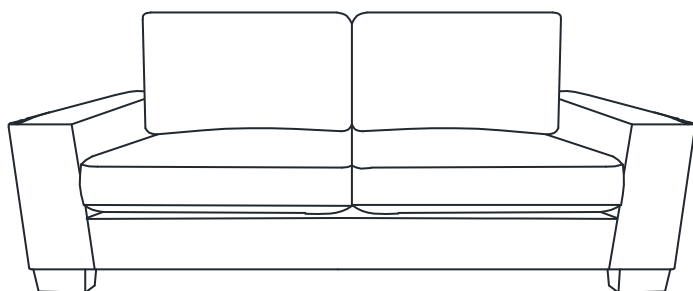


2pcs: 38.58" × 18.9" × 9.06"

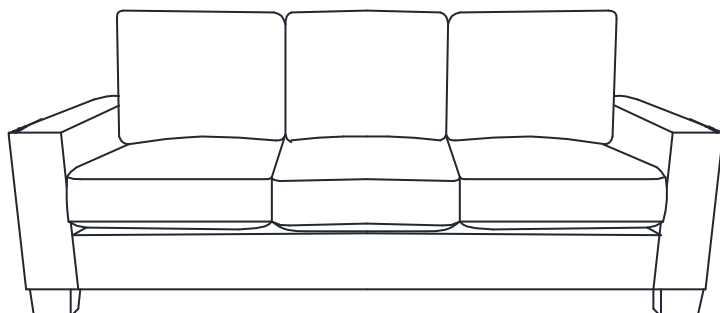
3pcs: 26.38" × 18.9" × 9.06"



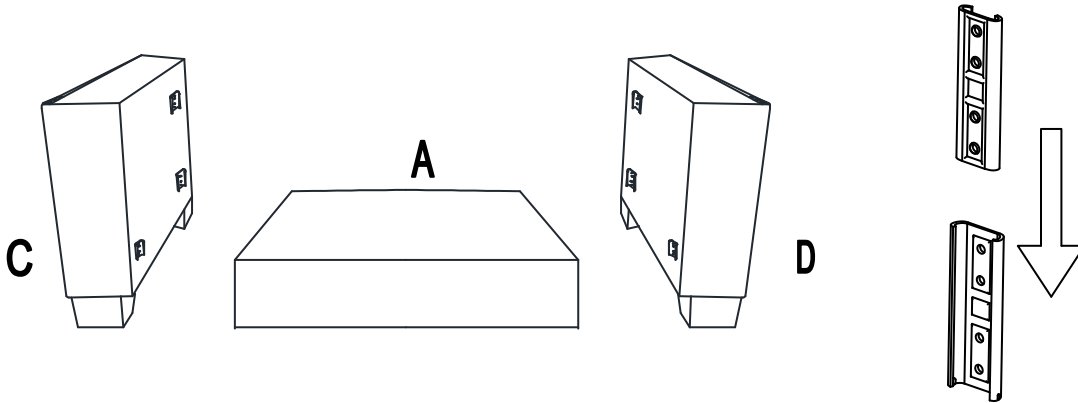
2pcs



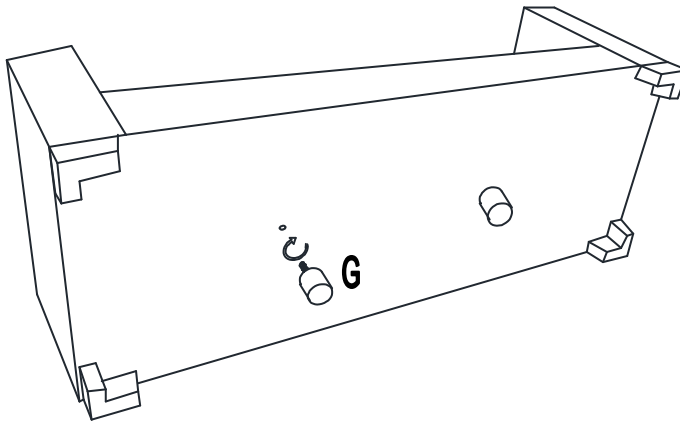
This page lists all the contents included in the box. As you unpack and prepare for assembly, place the contents on a carpeted or padded area to protect them from damage.



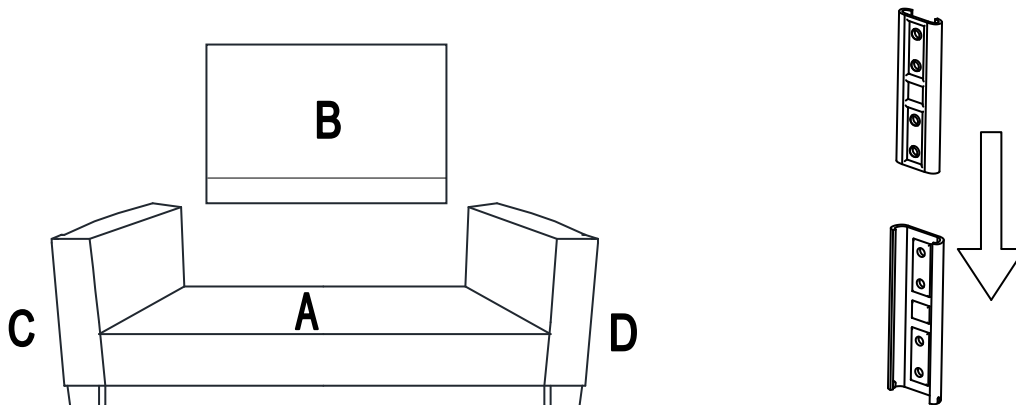
1 Hook on the Left Panel (C) & Right Panel (D) to Seat Frame (A) properly.



2 Assembly the Plastic Leg (G) at the bottom of Seat Frame (A) as picture showing.

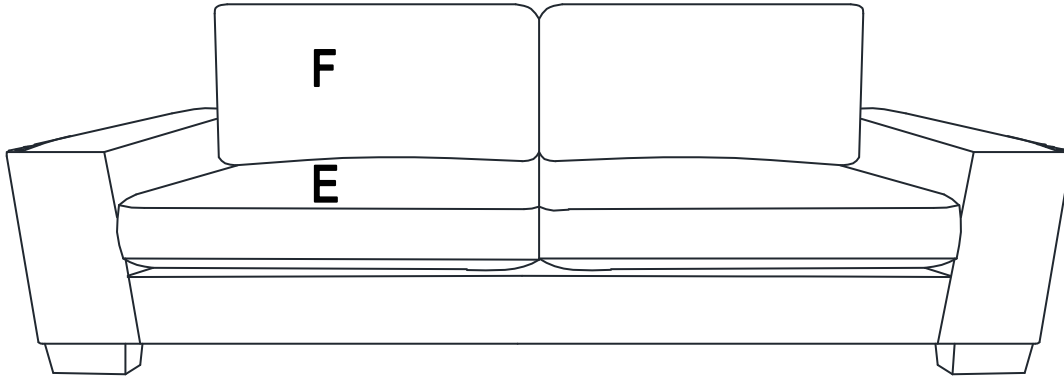


3 Hook on the Back Frame (B) to Left Panel (C) & Right Panel (D) properly.

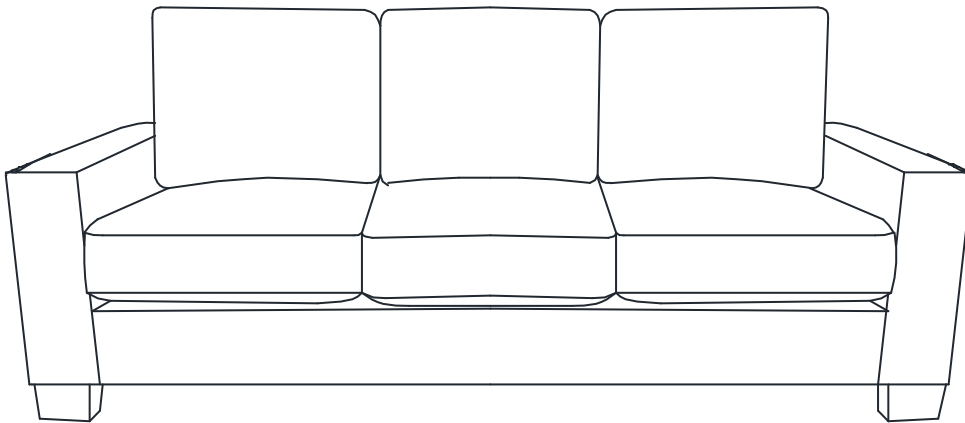


4

Place Seat Cushion (E) and Back Cushion (F) on the chair properly.



PS. There is another section for select as below shown. Thank you.



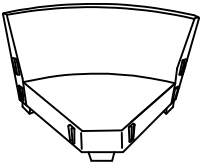
Cleaning & Care

Treat surface with care. Surface is resistant to scratches but is not scratch resistant. Clean surfaces with a dry or damp soft cloth. Do not use abrasive cleaners.

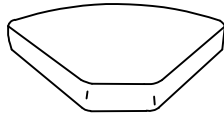
ASSEMBLY INSTRUCTION

CORNER WITH DOWN CUSHION

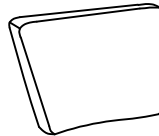
A Seat Frame **B** Seat Cushion **C** Back Cushion-LSF **D** Back Cushion-RSF



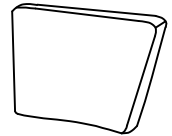
1pc



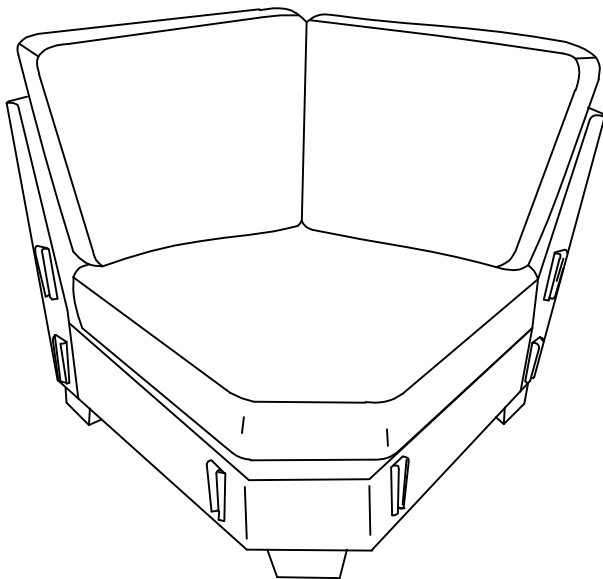
1pc



1pc

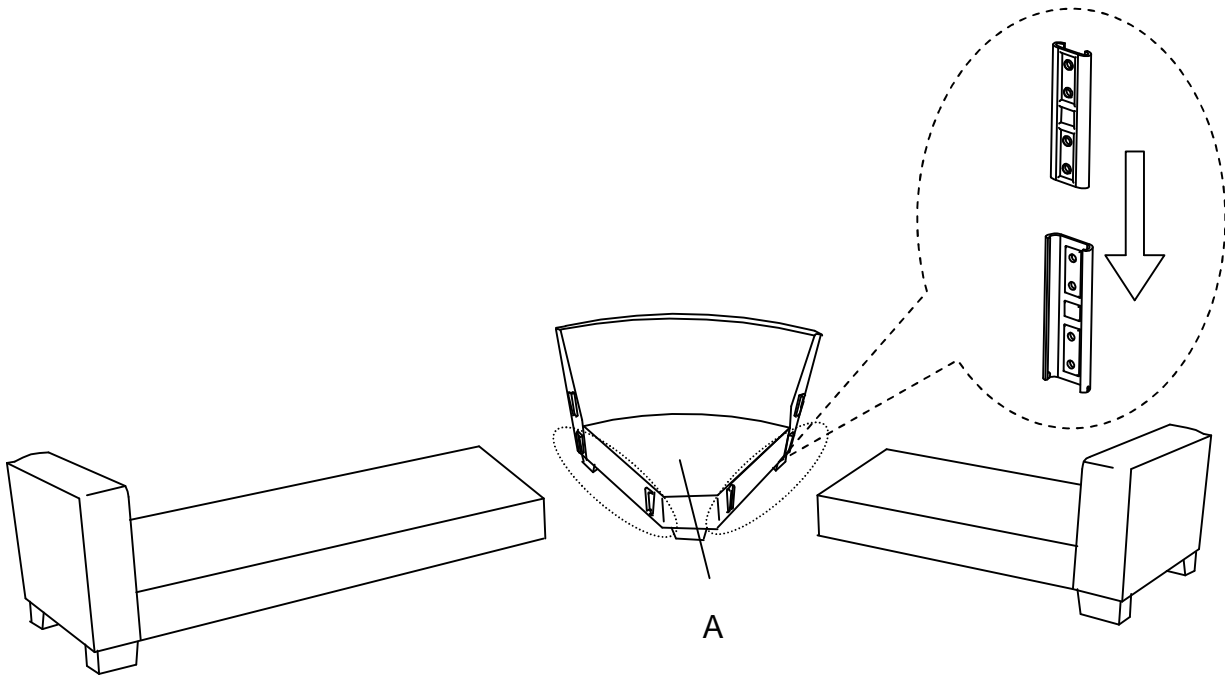


1pc

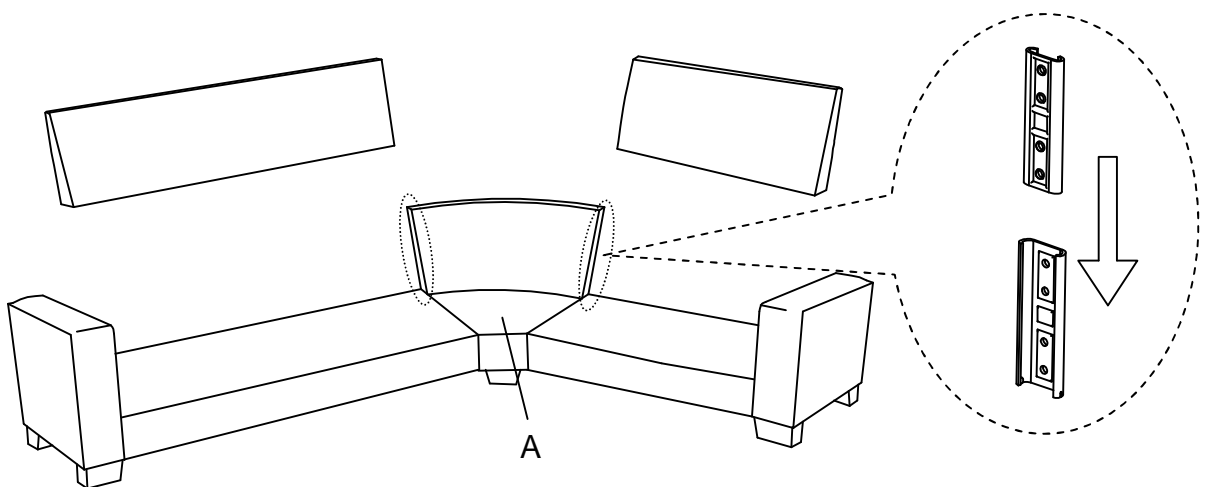


This page lists all the contents included in the box. As you unpack and prepare for assembly, place the contents on a carpeted or padded area to protect them from damage.

- 1** Hook on Seat Frame of Chair, Love Seat or Sofa to Corner Seat Frame (A) properly. (Seat Frame of Chair, Love Seat or Sofa are not in the Corner carton)

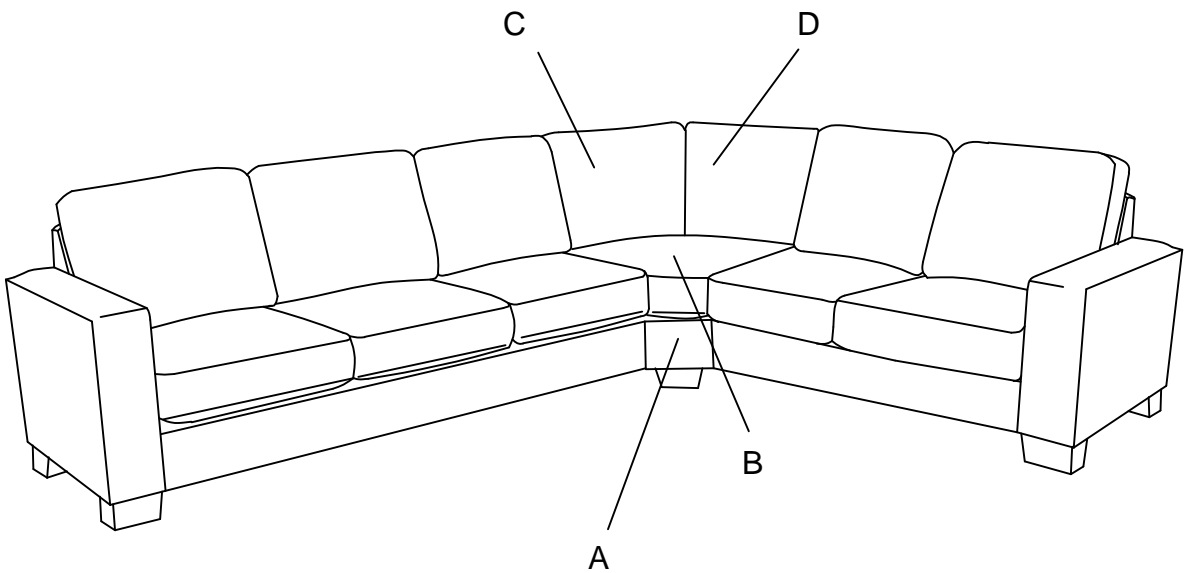


- 2** Hook on Back Frame of Chair, Love Seat or Sofa to Corner Seat Frame (A) properly. (Back Frame of Chair, Love Seat or Sofa are not in the Corner carton)

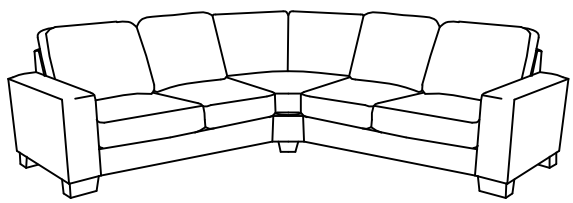
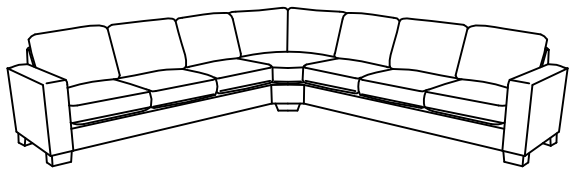
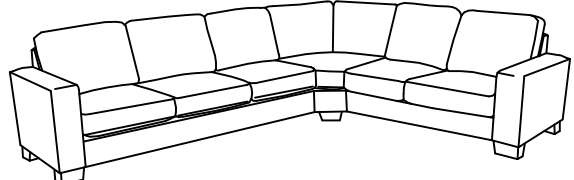
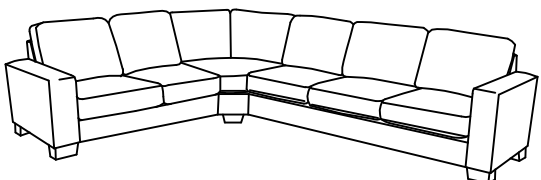


3

Put the Seat Cushion (B) and the cushion of Chair, Love Seat or Sofa on Sofa Frame. Then put the Back Cushion-LSF (C) & Back Cushion-RSF (D) on the Back Frame same as Chair, Love Seat or Sofa. The assembly is completed.



PS. There are Four section for select as below shown. Thank you.



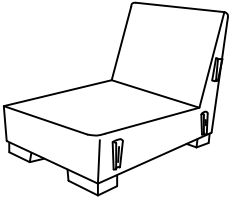
Cleaning & Care

Treat surface with care. Surface is resistant to scratches but is not scratch resistant. Clean surfaces with a dry or damp soft cloth. Do not use abrasive cleaners.

ASSEMBLY INSTRUCTION

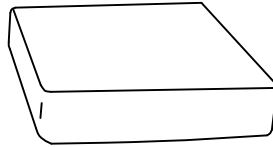
CONNECTED CHAIR WITH DOWN CUSHION

A Seat Frame



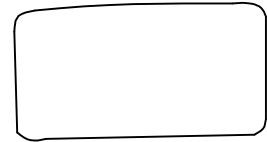
1pc

B Seat Cushion

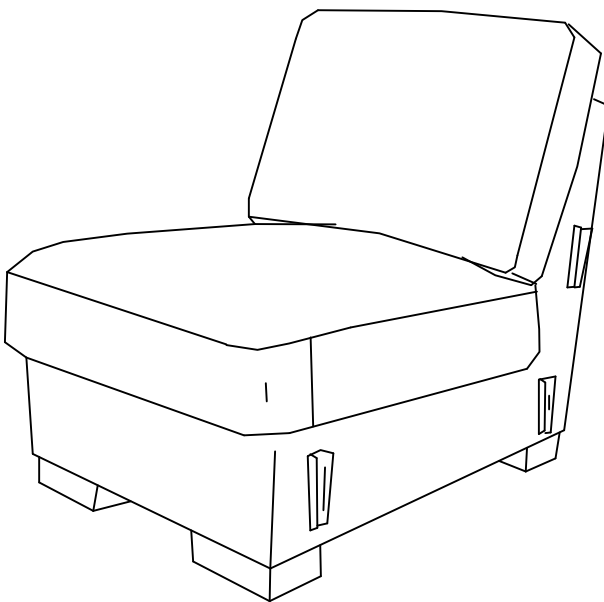


1pc

C Back Cushion

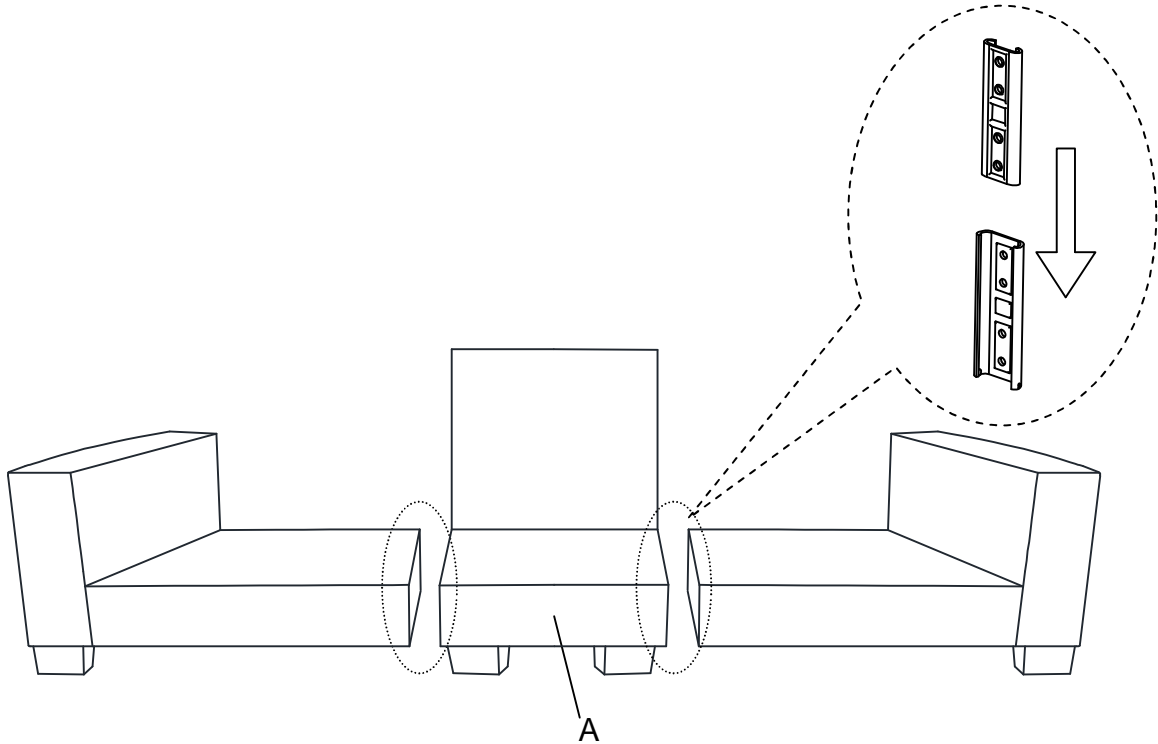


1pc

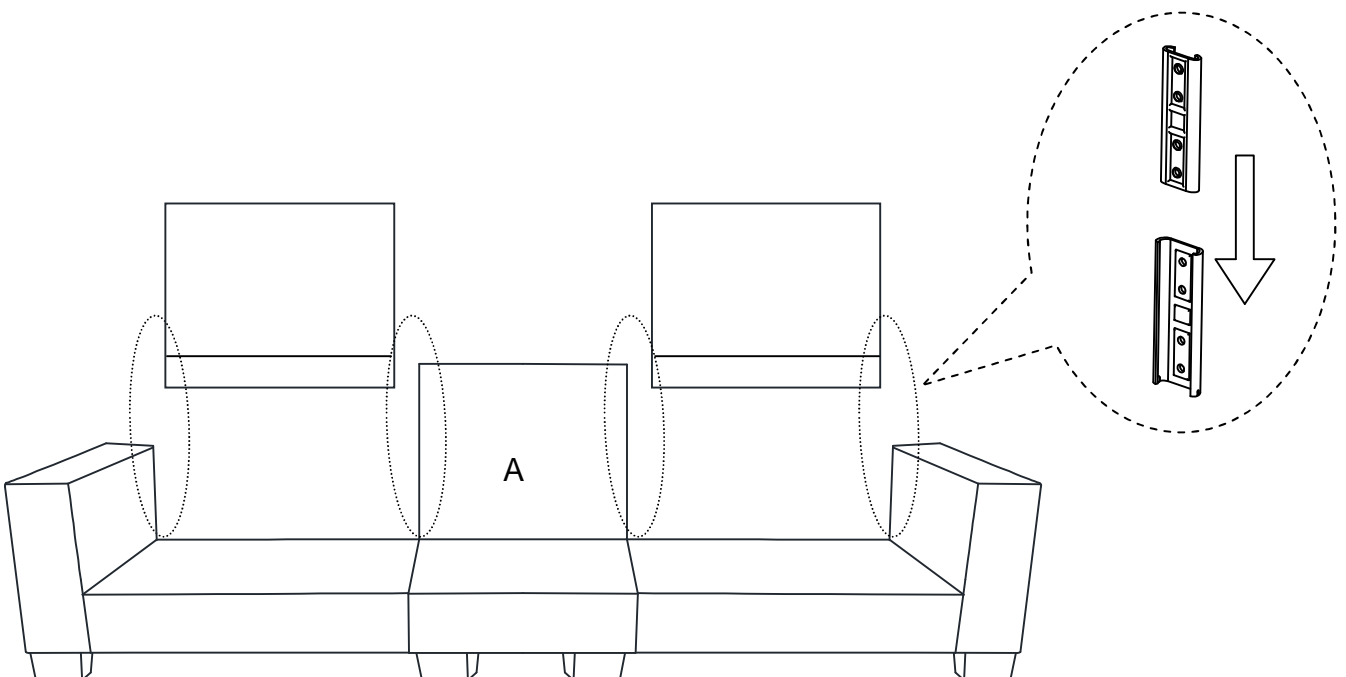


This page lists all the contents included in the box. As you unpack and prepare for assembly, place the contents on a carpeted or padded area to protect them from damage.

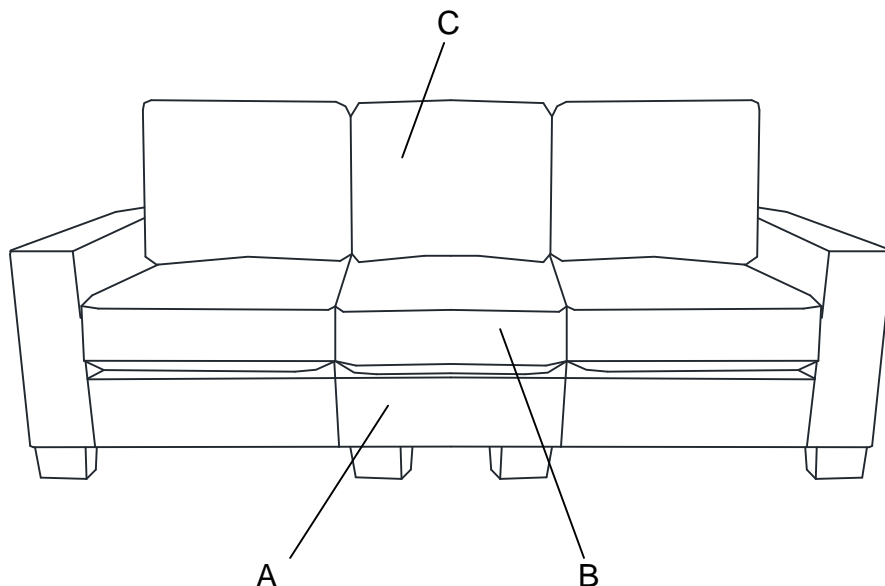
- 1** Hook on Seat Frame of Chair, Love Seat or Sofa to Seat Frame (A) properly.
(Seat Frame of Chair, Love Seat or Sofa are not in the carton)



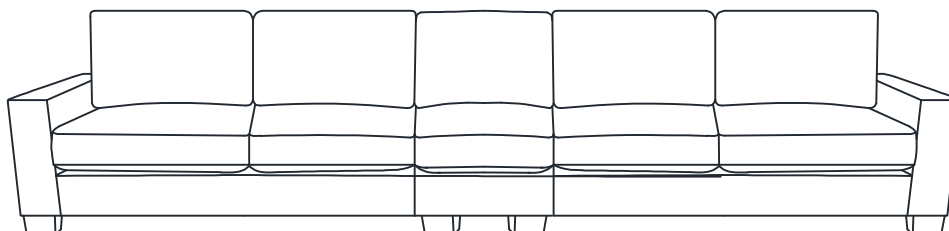
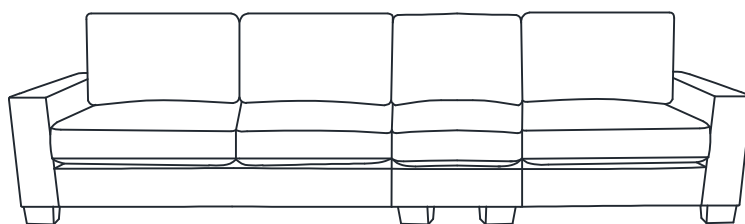
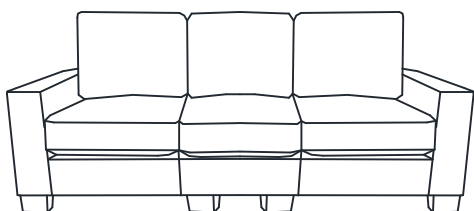
- 2** Hook on Back Frame of Chair, Love Seat or Sofa to Seat Frame (A) properly.
(Back Frame of Chair, Love Seat or Sofa are not in the carton)



3 Put the Seat Cushion (B) and the cushion of Chair, Love Seat or Sofa on Sofa Frame. Then put the Back Cushion (C) on the Back Frame same as Chair, Love Seat or Sofa. The assembly is completed.



PS. There are Three section for select as below shown. Thank you.



Cleaning & Care

Treat surface with care. Surface is resistant to scratches but is not scratch resistant. Clean surfaces with a dry or damp soft cloth. Do not use abrasive cleaners.