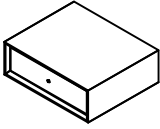
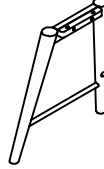
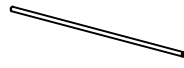
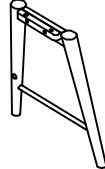


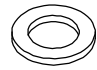
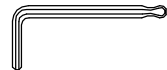
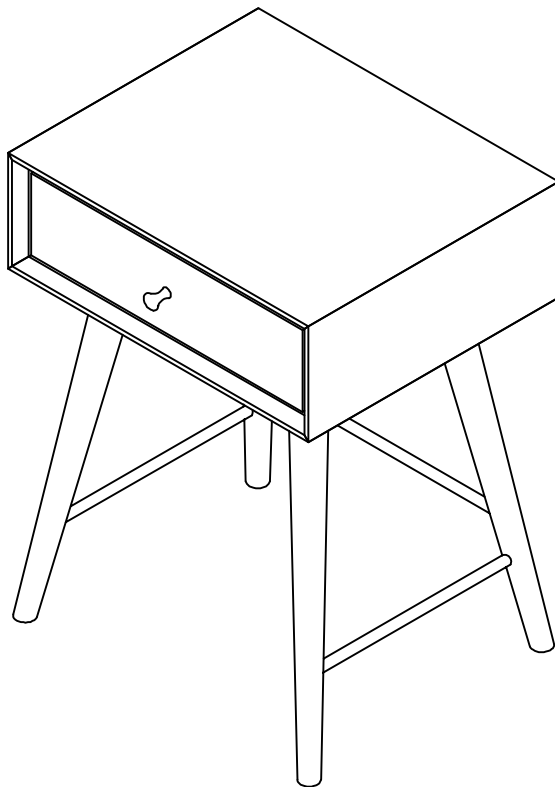


ASSEMBLY INSTRUCTION

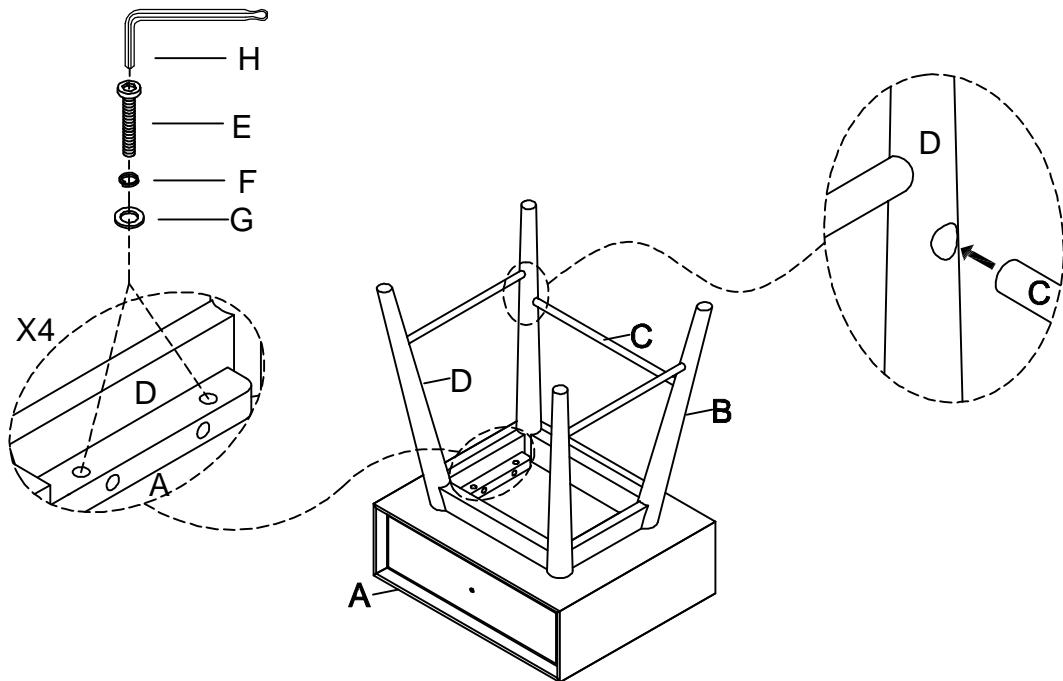
579BR-04(3A) BROWN FINISH END TABLE

A Top Panel  1PC	B Leg Frame (Left)  1PC	C Cross Bar  1PC	D Leg Frame (Right)  1PC
E Bolt 1/4"*1-1/2"  4PCS	F Lock Washer 1/4"  4PCS	G Flat Washer 1/4"X16mm  4PCS	H Allen Key 4MM*114L  1PC

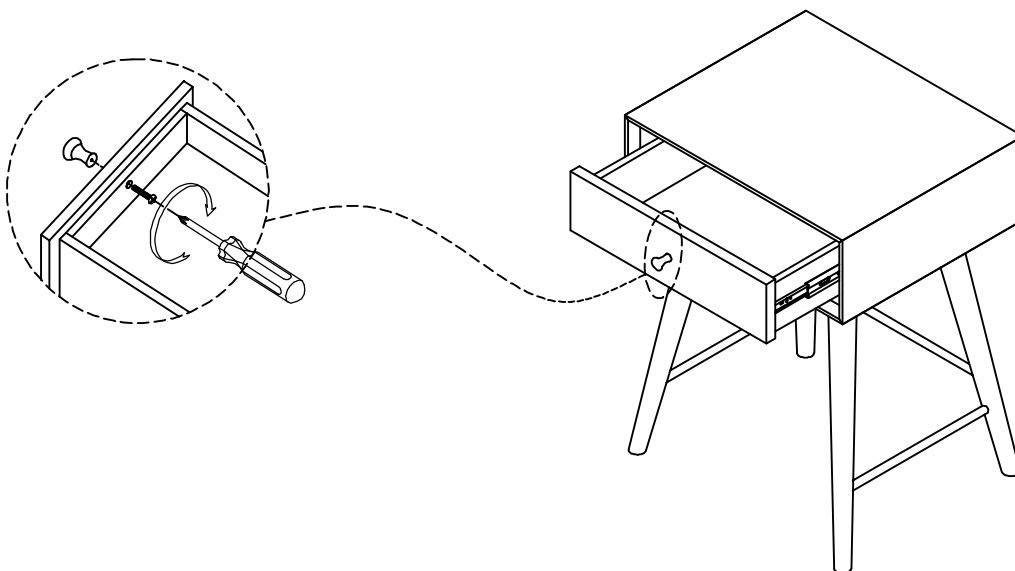


This page lists all the contents included in the box. Please take the time to identify the hardware as well as the individual components to this product. AS you unpack and prepare for assembly. place the contents on a carpeted or padded area to protect them from damage.

-
- 1** Attach the Leg Frame (B/D) to the Table Top (A) by using Flat Washer (G) , Lock Washer (F) and Bolt (E) with Allen Key (H), and Insert the Cross Bar (C) to the attached Leg Frame (B/D) .



-
- 2** Remove the knob from the inside of the drawer and then attached the Kob to the front drawer.



Cleaning & Care

Treat surface with care. Surface is resistant to scratches but is not scratch resistant. Clean surfaces with a dry or damp soft cloth. Do not use abrasive cleaners. Hardware may loosen over time. Periodically check that all connections are tight.