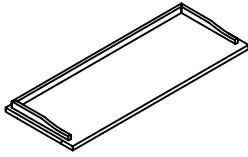


ASSEMBLY INSTRUCTION

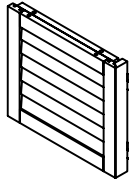
SHOES BENCH WITH BEIGE VELVET CUSHION

A Top Panel



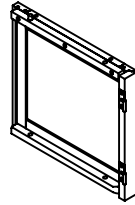
1PC

B Lsf Side Frame



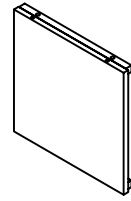
1PC

C Rsf Side Frame



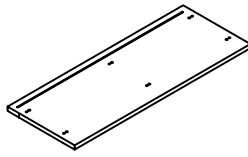
1PC

D Middle Panel



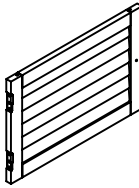
1PC

E Bottom Panel



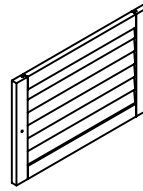
1PC

F Lsf Door



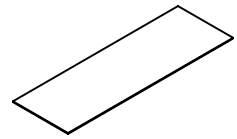
1PC

G Rsf Door



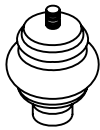
1PC

H Back Panel



1PC

I Bun Foot



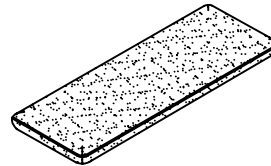
4PCS

J Middle Leg



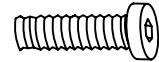
1PC

K Seat Cushion



1PC

L Bolt
Ø1/4"x1-3/8"mm



12PCS

M Spring Washer
Ø1/4"x10mm



12PCS

N Flat Washer
Ø1/4"x16mm



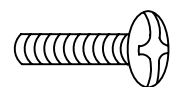
12PCS

O Knob



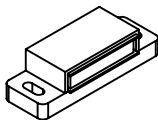
2PCS

P Machine Screw
Ø5/32"x7/8"mm



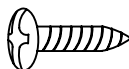
2PCS

Q Door Catch



2PCS

R Wood Screw
Ø3x14mm



4PCS

S Allen Key
Ø1/4"



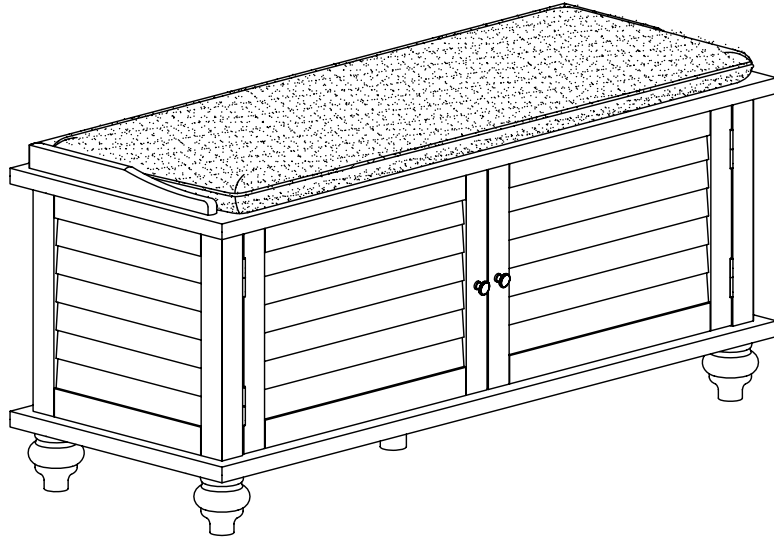
1PC

T Wood Dowel
Ø8x30mm

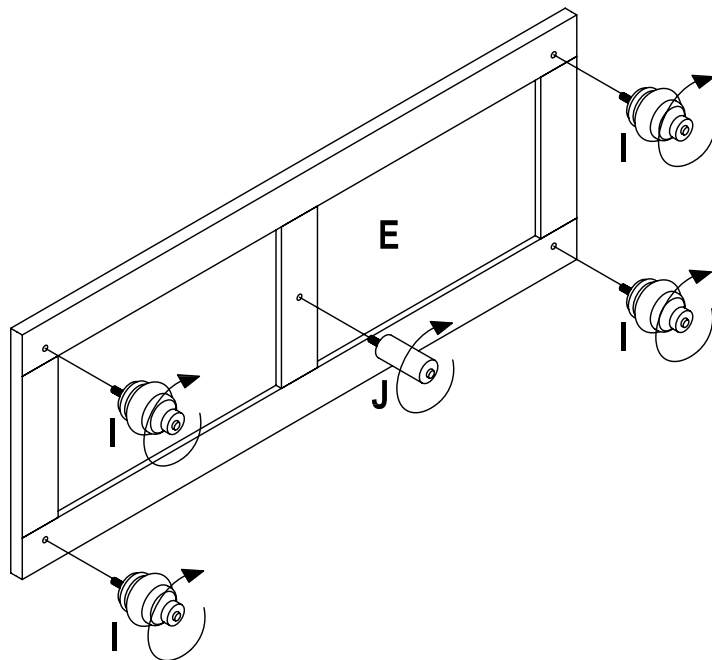


12PCS

This above page lists all the contents included in the box.
Please take the time to identify the hardware as well as the individual components to this product. As you unpack and prepare for assembly. Place the contents on a carpeted or padded area to protect them from damage.

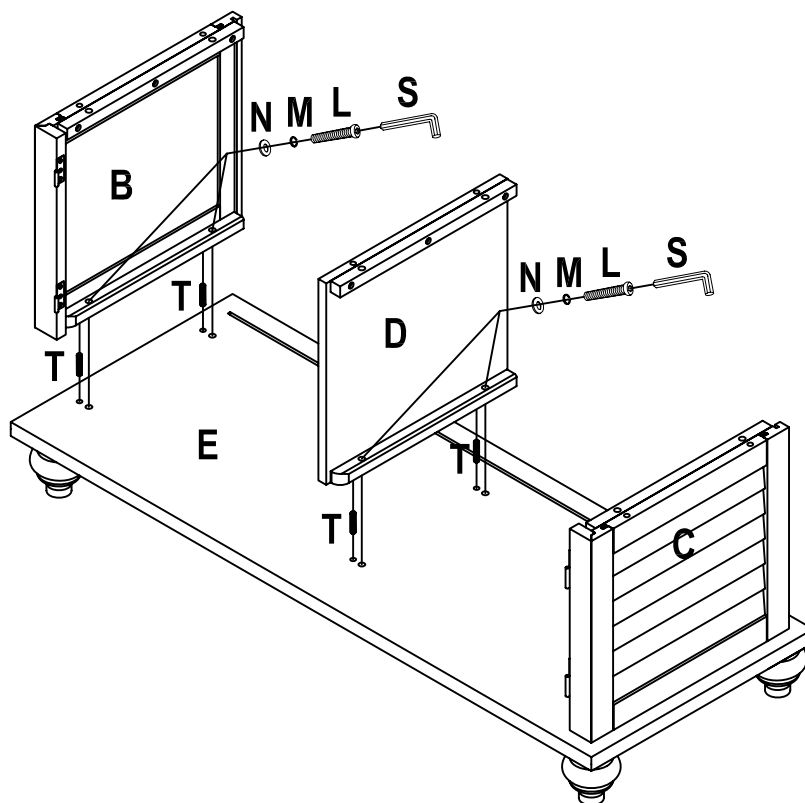


1 Attach the Bun Foot (I) and Middle leg (J) to the Bottom panel (E) until they are tight.

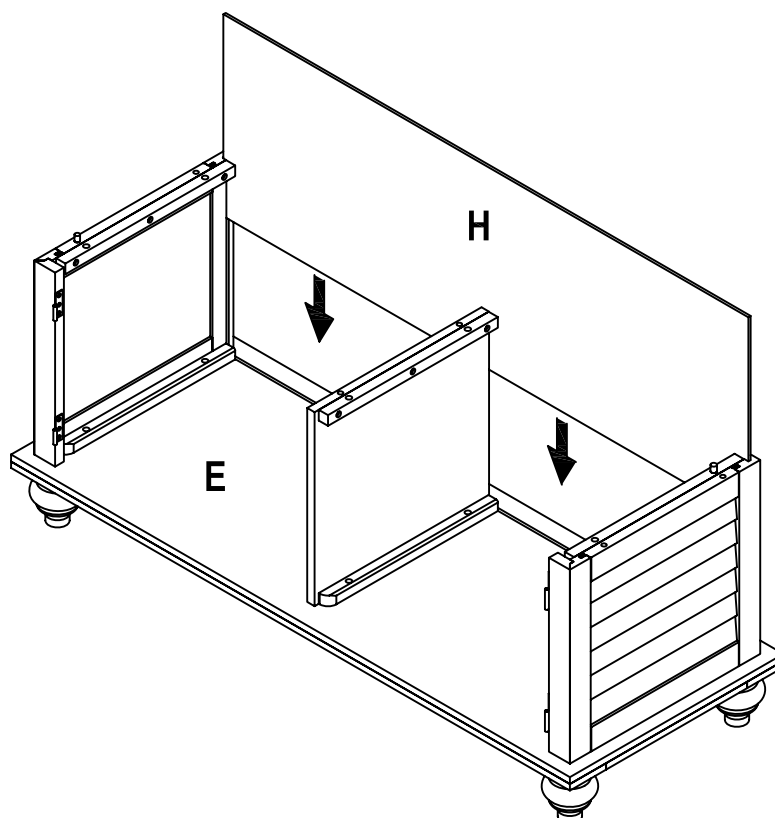


2

Attach the Lsf Side Frame (B), Rsf Side Frame (C) and Middle Panel (D) to the Bottom Panel (E) by Wood Dowel (T), Flat Washer (N), Spring Washer (M) and Bolt (L) with Allen Key (S).

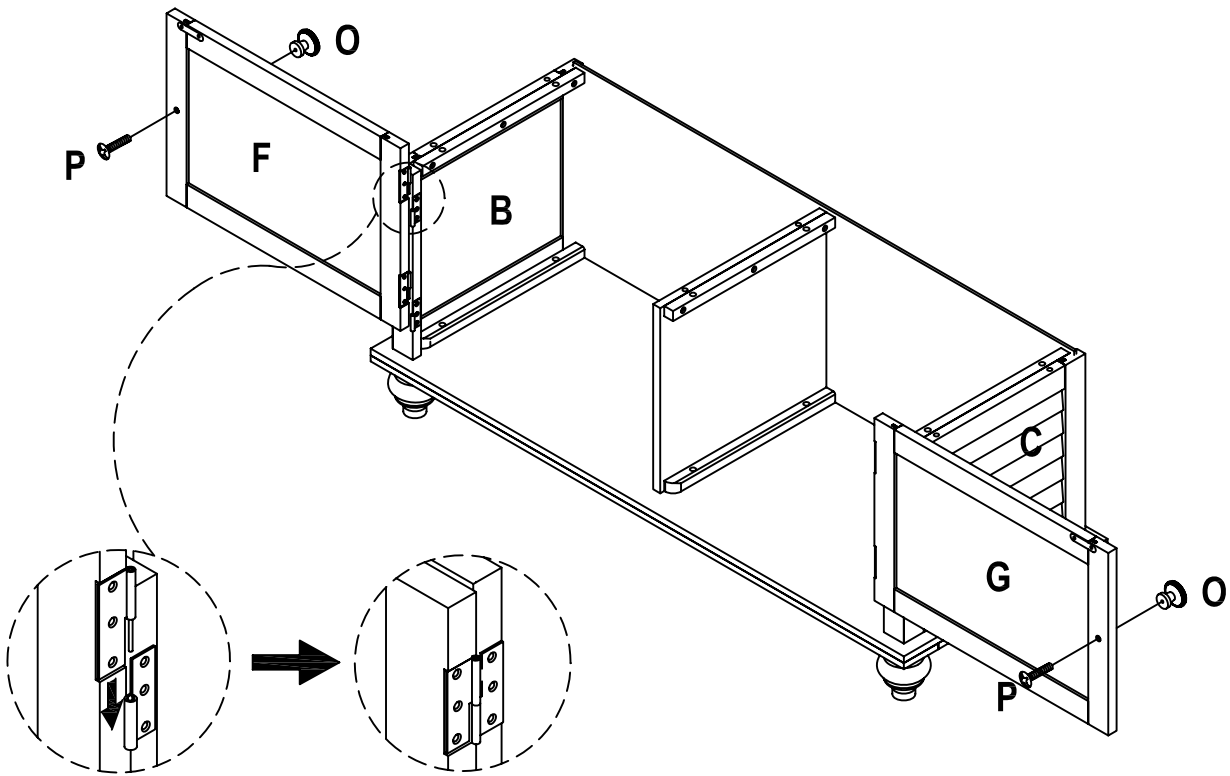
**3**

Insert the Back Panel (H) into the Bottom Panel (E).



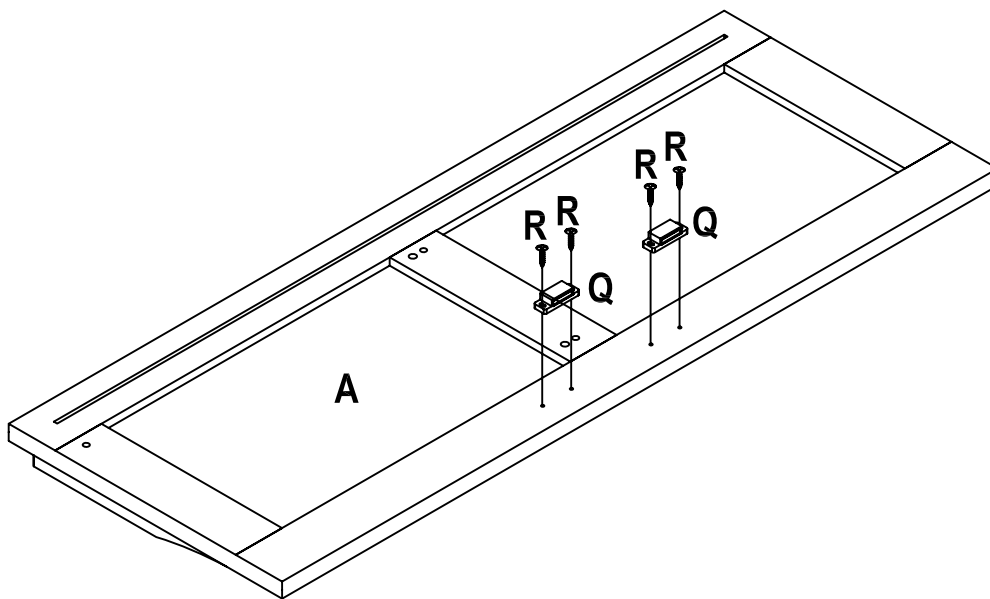
4

Attached Knob (O) to Lsf Door (F) and Rsf Door (G) by using Screw(P), and then attach Lsf Door (F) and Rsf Door (G) to Lsf Side Frame (B) and Rsf Side Frame (C) by using pre-assembled hinger as below drawing.

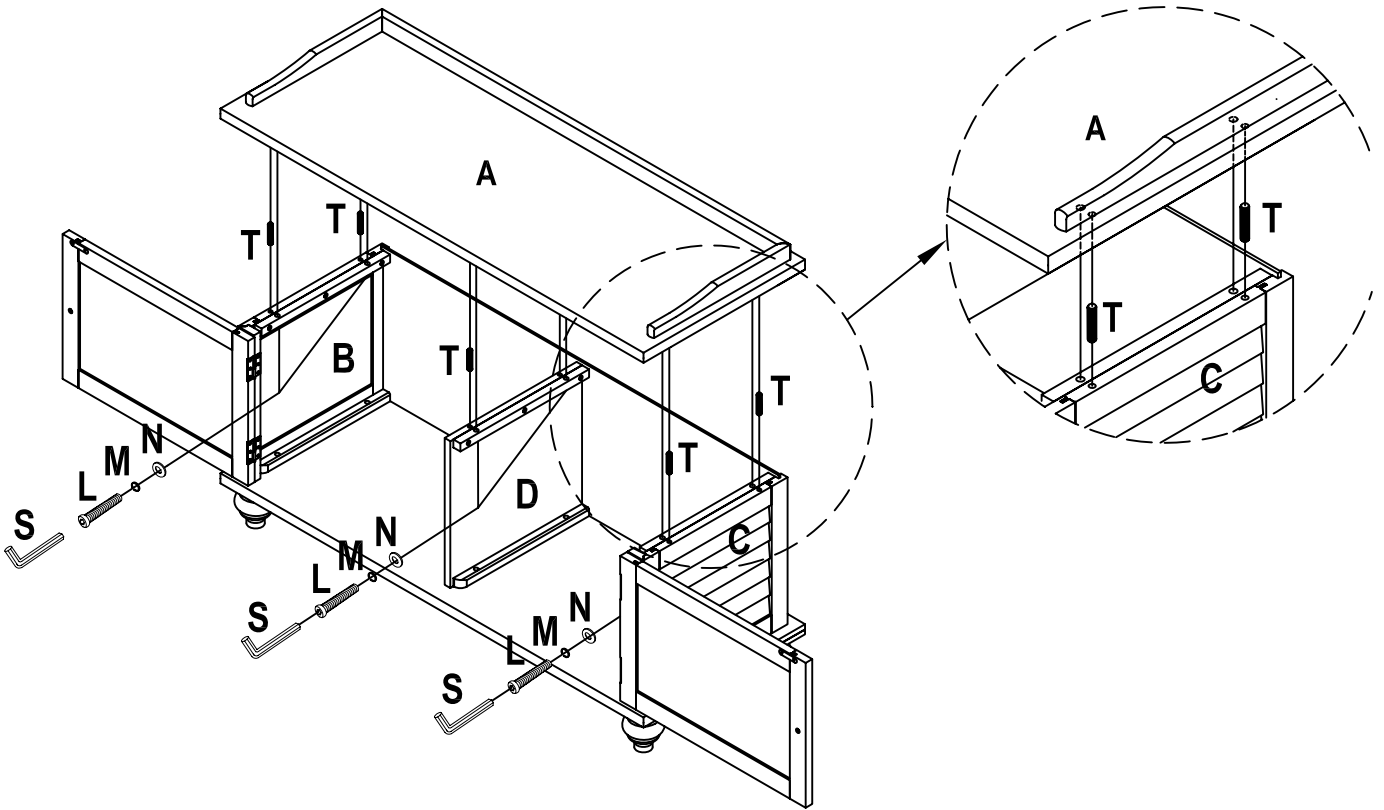


5

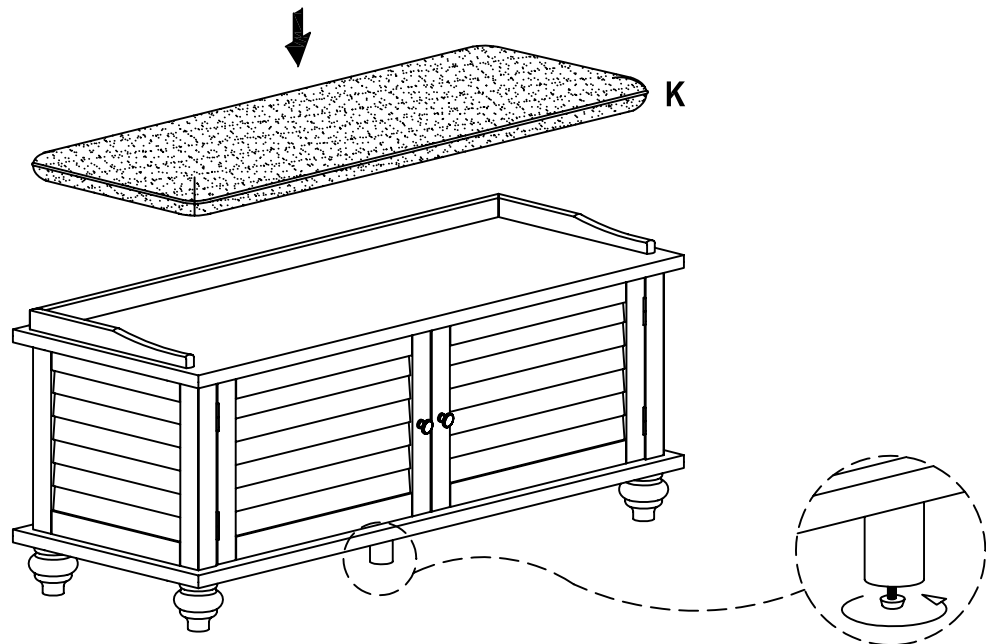
Attach Door Catch (Q) to the Top Panel (A) by using Wood Screw(R).



- 6** Attach the Top Panel (A) to the assembled side frame and Middle Panel (D) by using Dowel (T), Spring Washer (M), Flat washer (N) and Bolt (L) with Allen Key (S) as below drawing.



- 7** Put Seat Cushion (K) into the Top Panel (A) as below drawing, and then adjust the levelers on the bottom of the leg to keep the level.



Cleaning & Care

Treat surface with care. Surface is resistant to scratches but is not scratch resistant. Clean surfaces with a dry or damp soft cloth. DO not use abrasive cleaners. Hardware may loosen over time. Periodically check that all connections are right.