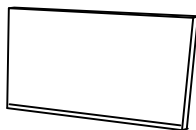


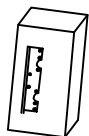
ASSEMBLY INSTRUCTION

WINGBACK FULL & QUEEN & KING SIZE BED - HEADBOARD

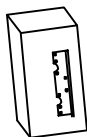
A Headboard **B** Left Wooden Frame **C** Right Wooden Frame **D** Left Side Panel **E** Right Side Panel



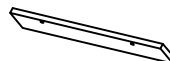
1 pc



1 pc



1 pc



1 pc



1 pc

F Bolt
1/4 x 50mm



10 pcs

G Flat Washer



10 pcs

H Lock Washer



10 pcs

I Allen Wrench



1 pc

J Back Cover

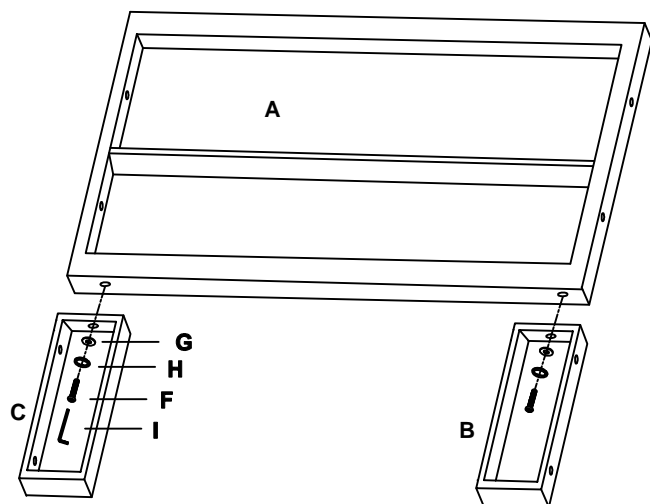


1 pc

This page lists all the contents included in the box. Please take the time to identify the hardware as well as the individual components to this product. As you unpack and prepare for assembly, place the contents on a carpeted or padded area to protect them from damage.

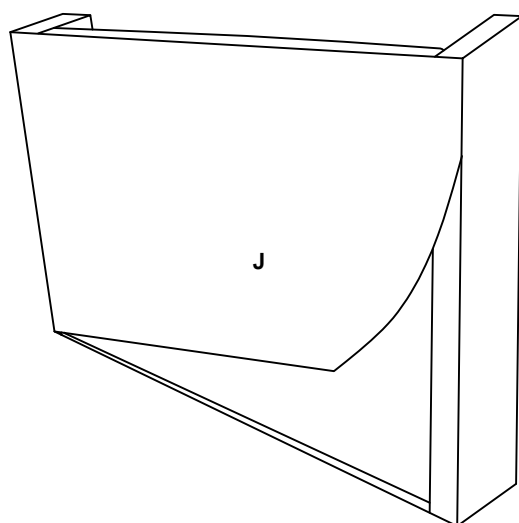
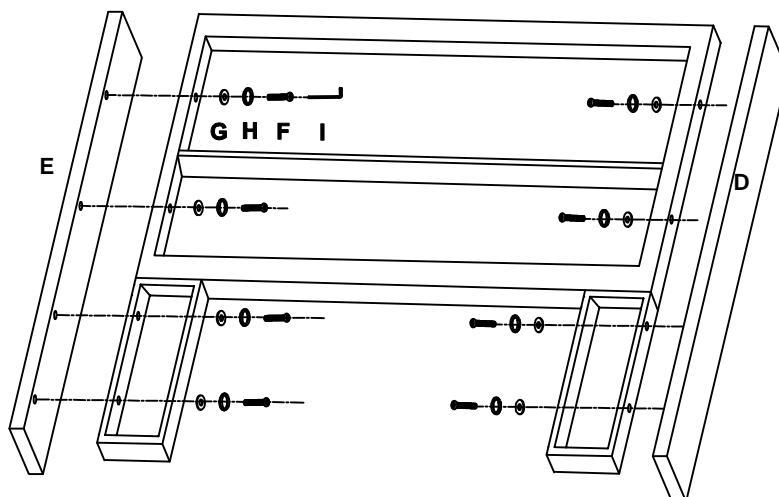


315B WINGBACK FULL & QUEEN & KING SIZE BED - HEADBOARD



1 Attached left & right Wooden Frame (B)(C) to the Headboard (A) use Bolt (F), Lock Washer (H) and Flat Washer (G). Turn the Allen Wrench (I) in Bolt (F).

2 Attached left & right Side Panel (D) (E) to the Headboard (A) use Bolt (F), Lock Washer (H) and Flat Washer (G). Turn the Allen Wrench (I) in Bolt (F).



3 Stick the Back Cover (J) on the back of the Headboard (A).

Cleaning & Care

Treat surface with care. Surface is resistant to scratches but is not scratch resistant. Clean surfaces with a dry or damp soft cloth. Do not use abrasive cleaners. Hardware may loosen over time. Periodically check that all connections are tight.