





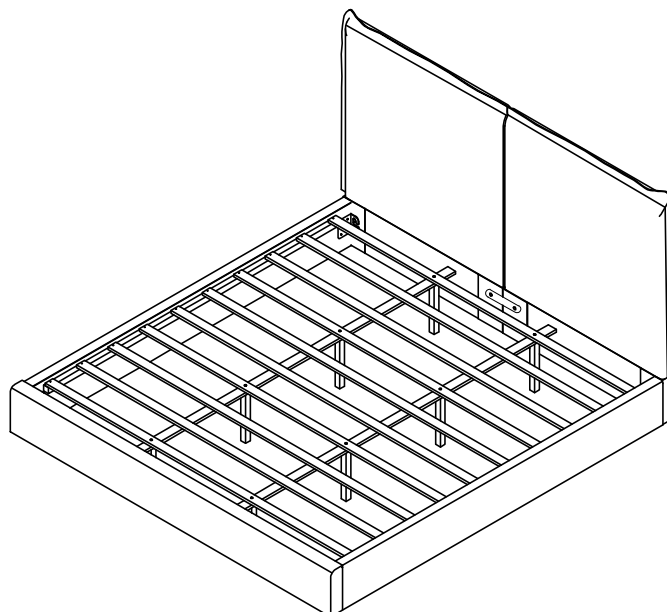
ASSEMBLY INSTRUCTIONS

SKU CODE: N769P387942-N769P387943

Care & Maintenance

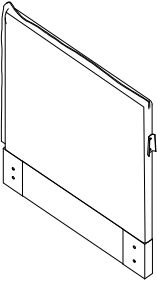
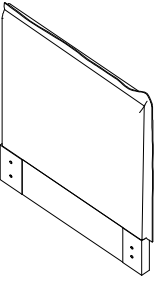
- ✓  • Furniture may scratch floors. We recommend using furniture pads to protect your floors.
 - ⊘  • Do not put hot items directly on furniture surface.
 - ⊘  • Do not clean furniture with harsh cleansers or polish.
 - ⊘  • Do not place furniture under direct sunlight.
 - ⊘  • Do not place furniture near heating or cooling vents.
 - ⊘  • Do not write on furniture without a padded barrier to protect the surface.
 - ⊘  • Do not place furniture outside . For indoor use only.
 - ⊘  • Not for commercial use. For residential use only.
 - ⊘  • Stains may be removed with mild soap solution and damp cloth.
 - ⊘  • Children should not climb or jump on the furniture.
-
- ✓  • Dust and pick-up spills using a clean, non-colored, lint-free cloth.

KING BED

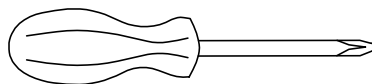


This set is included 2 boxes if don't receive full 2 boxes please contact our customer service team.

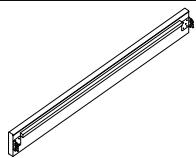
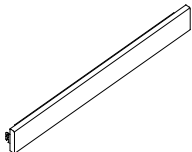
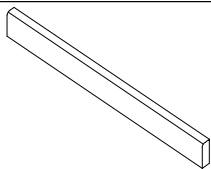
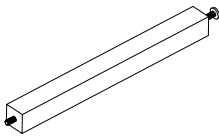
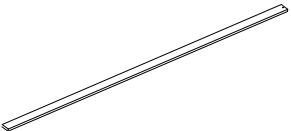
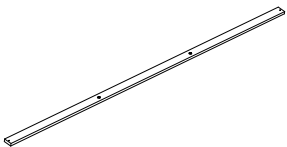
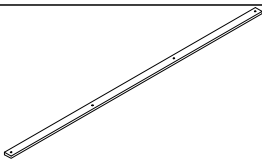
PARTS LIST FOR 1 BED-N769P387942

Label	Picture	Description	QTY
A		Headboard (L)	1
B		Headboard (R)	1

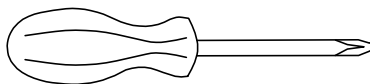
ASSEMBLY TOOLS REQUIRED (NOT INCLUDED)



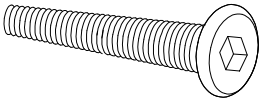
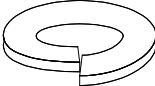
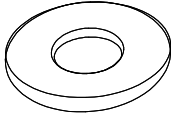
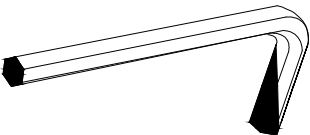

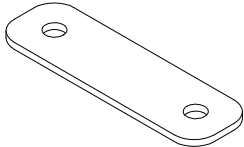

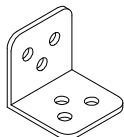
PARTS LIST FOR 1 BED-N769P387943

Label	Picture	Description	QTY
C		Side Rails (L)	1
D		Side Rails (R)	1
E		Footboards	1
F		Support legs	8
G1		Slat	6
G2		Slat	4
G3		Midd rail	2

ASSEMBLY TOOLS REQUIRED (NOT INCLUDED)



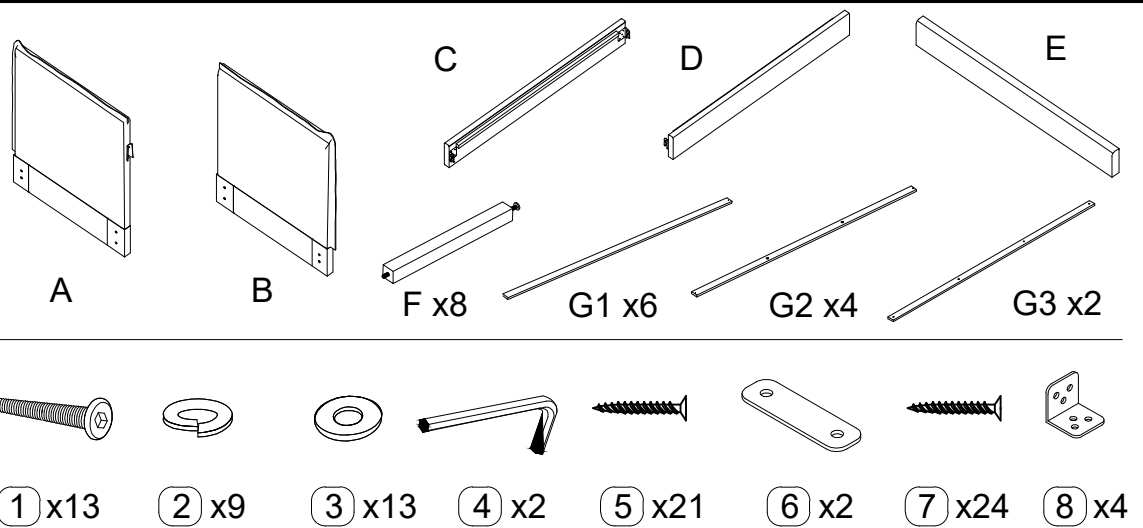
HARDWARE LIST FOR 1 BED-N769P387943

Label	Picture	Description	QTY
1		Short bolt (1/4x35mm)	13
2		Spring washer (M8x12mm)	9
3		Flat washer M6x16mm	13
4		Allen Wrench	2
5		Long screw M4*30mm	21
6		Steel bracket	2
7		Long screw M4*15mm	24
8		bracket	4

PLEASE BE CAREFUL DO NOT DAMAGE THE HOLE POSITION WHEN YOU USE POWER TOOLS !

Assembly Preparation

Before Beginning Assembly:



- Read instructions, cover to cover-



- Have 2 adults on hand for assembly-



- Do not assemble on flooring or carpet-



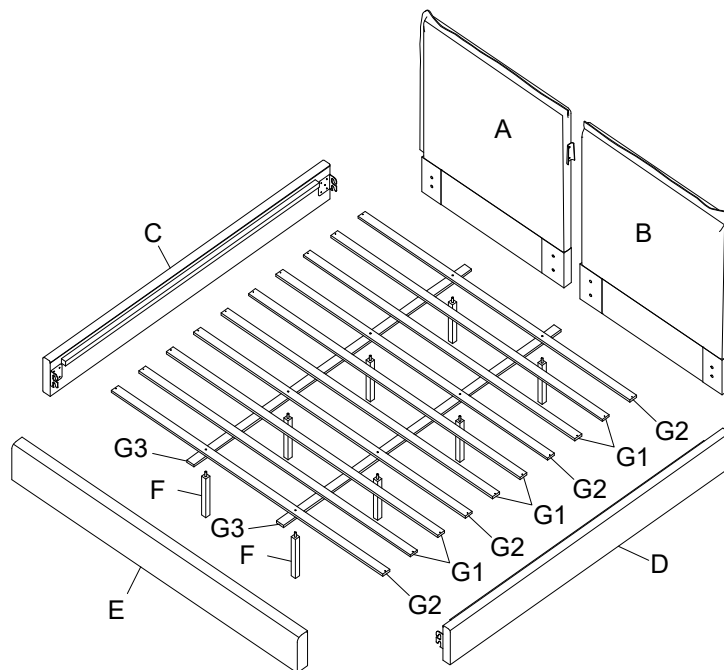
- Assemble on a clean non-marring surface (packing foam)-



- Save all packaging until finished-

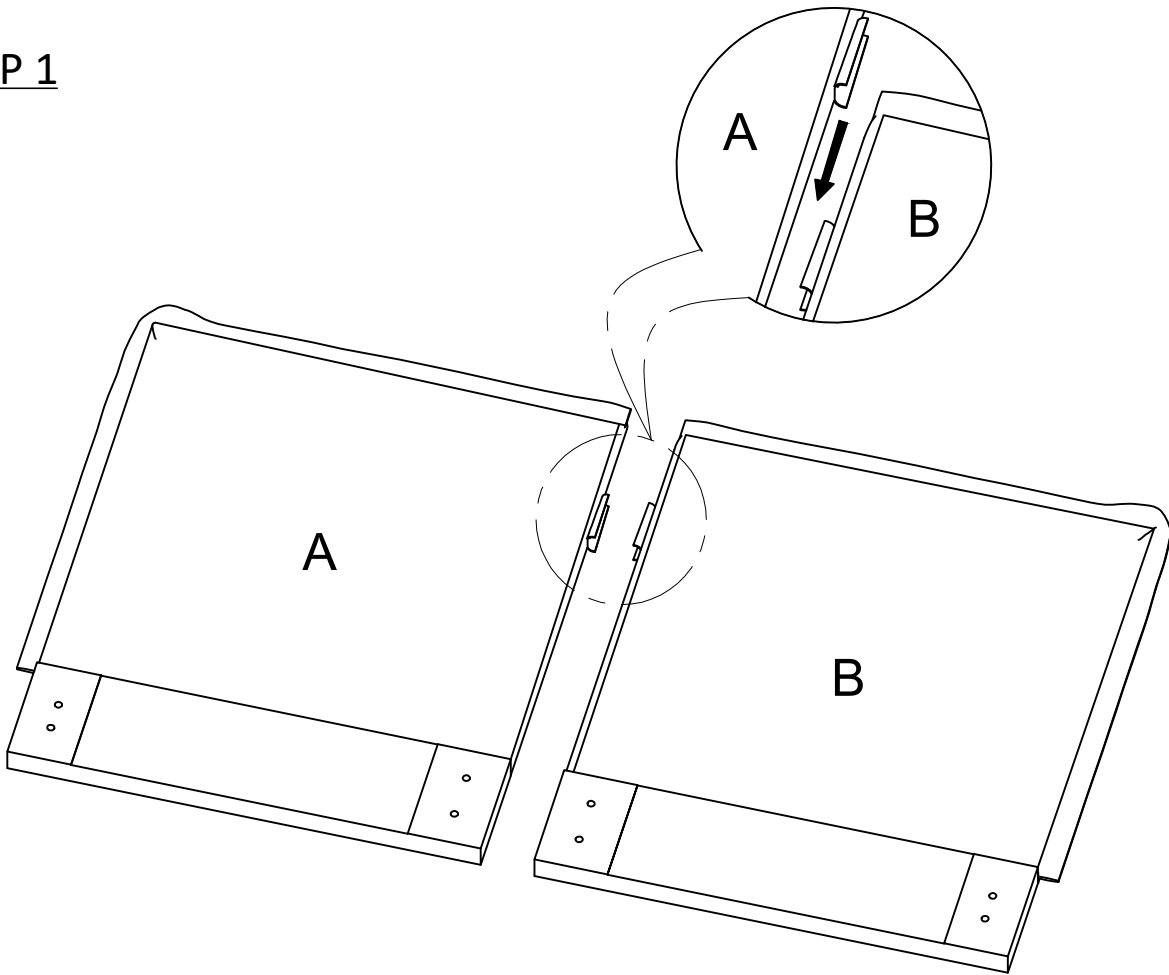
Assembly Steps

Overview

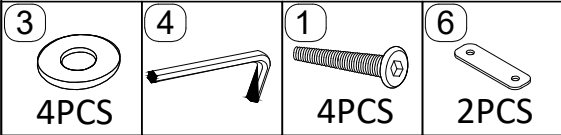


This Bed has multiple parts and may require up to 30 minutes to assemble. To give you an overview of the Bed parts, the above picture is to help you put the various parts into perspective. Please read through the instructions below to familiarise yourself with the parts and steps before assembly.

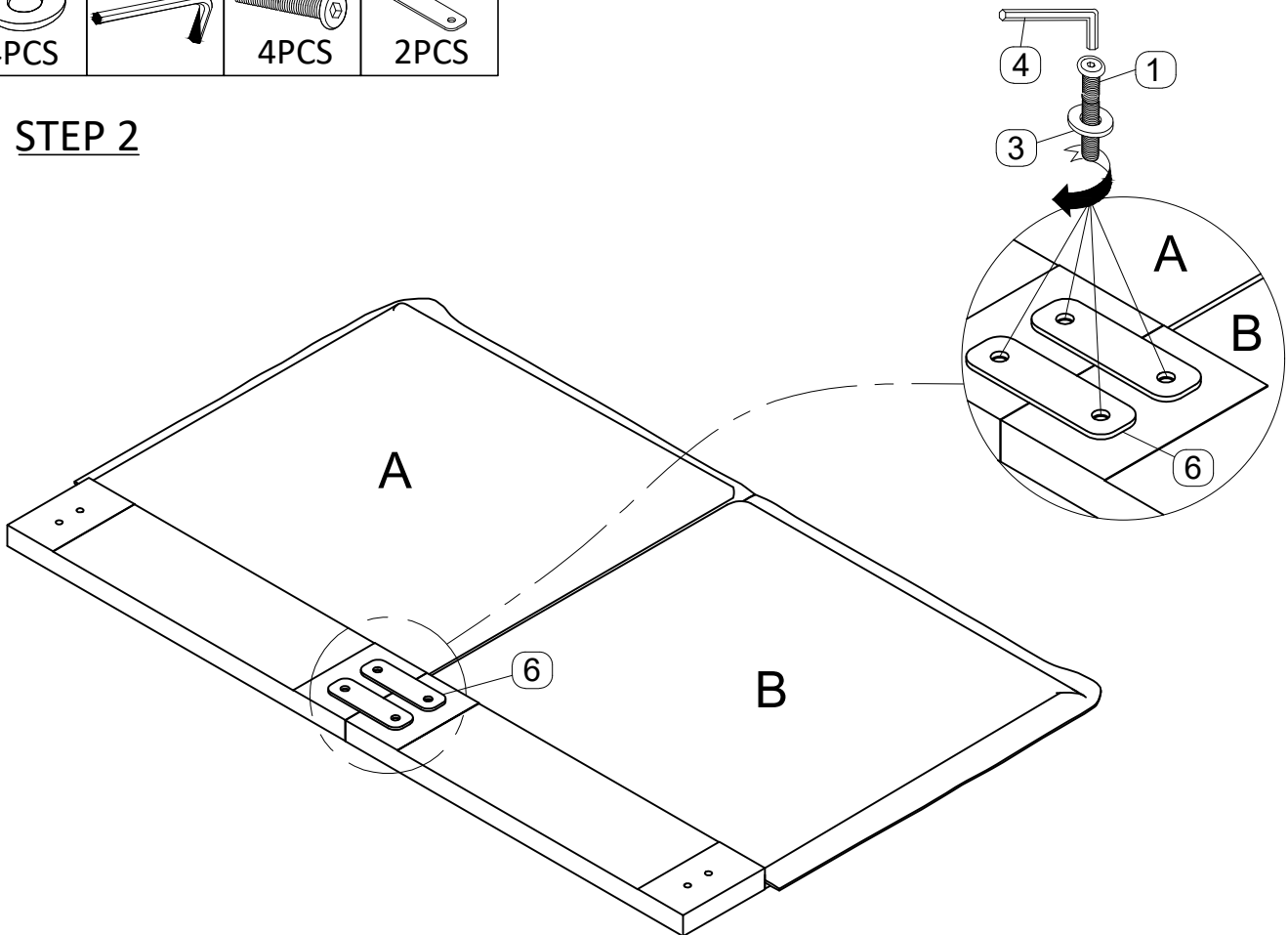
STEP 1







Use the hardware connector on the side of the Headboard (A,B) to connect the right part and the left part together, as shown in the figure.

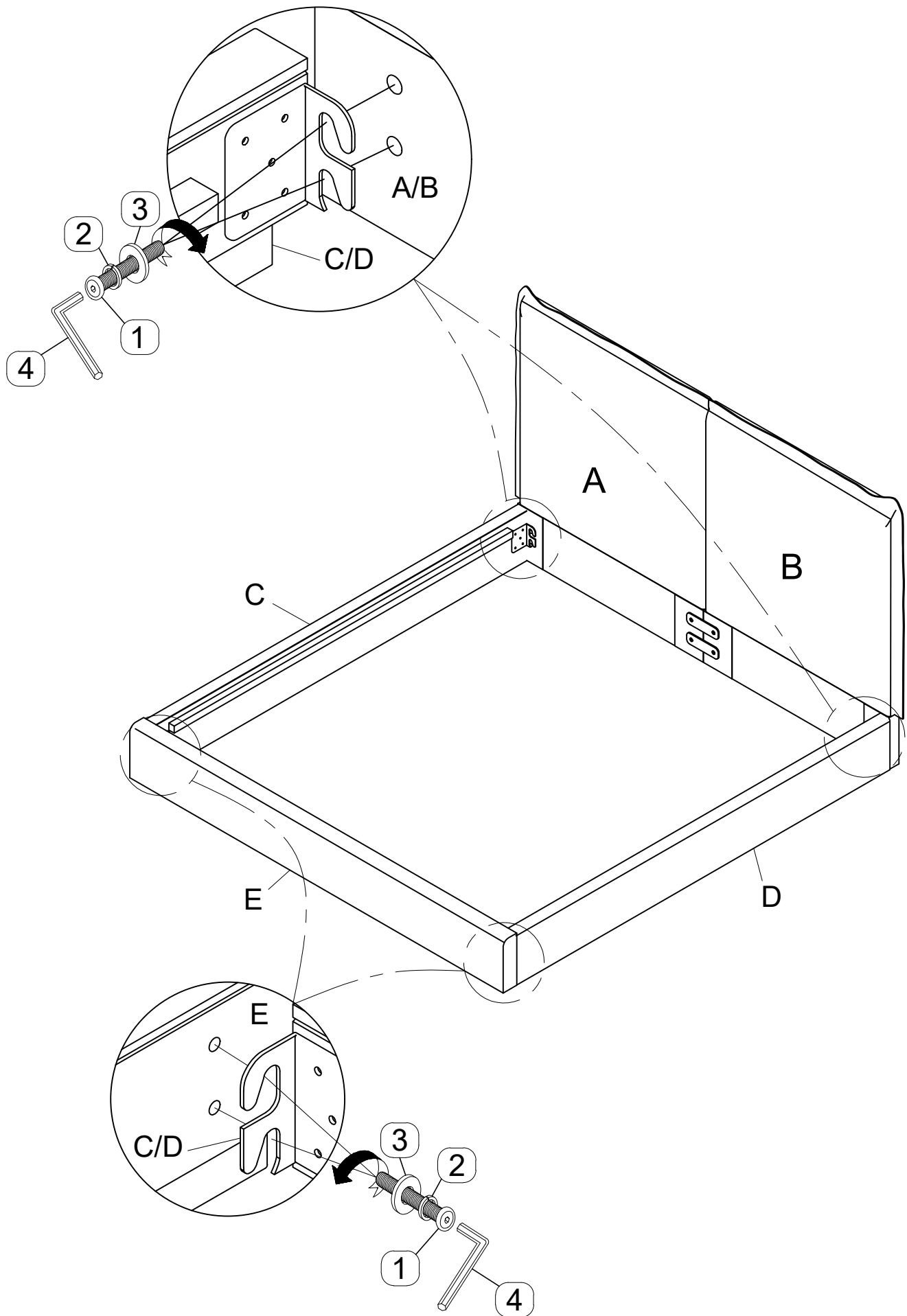


STEP 2





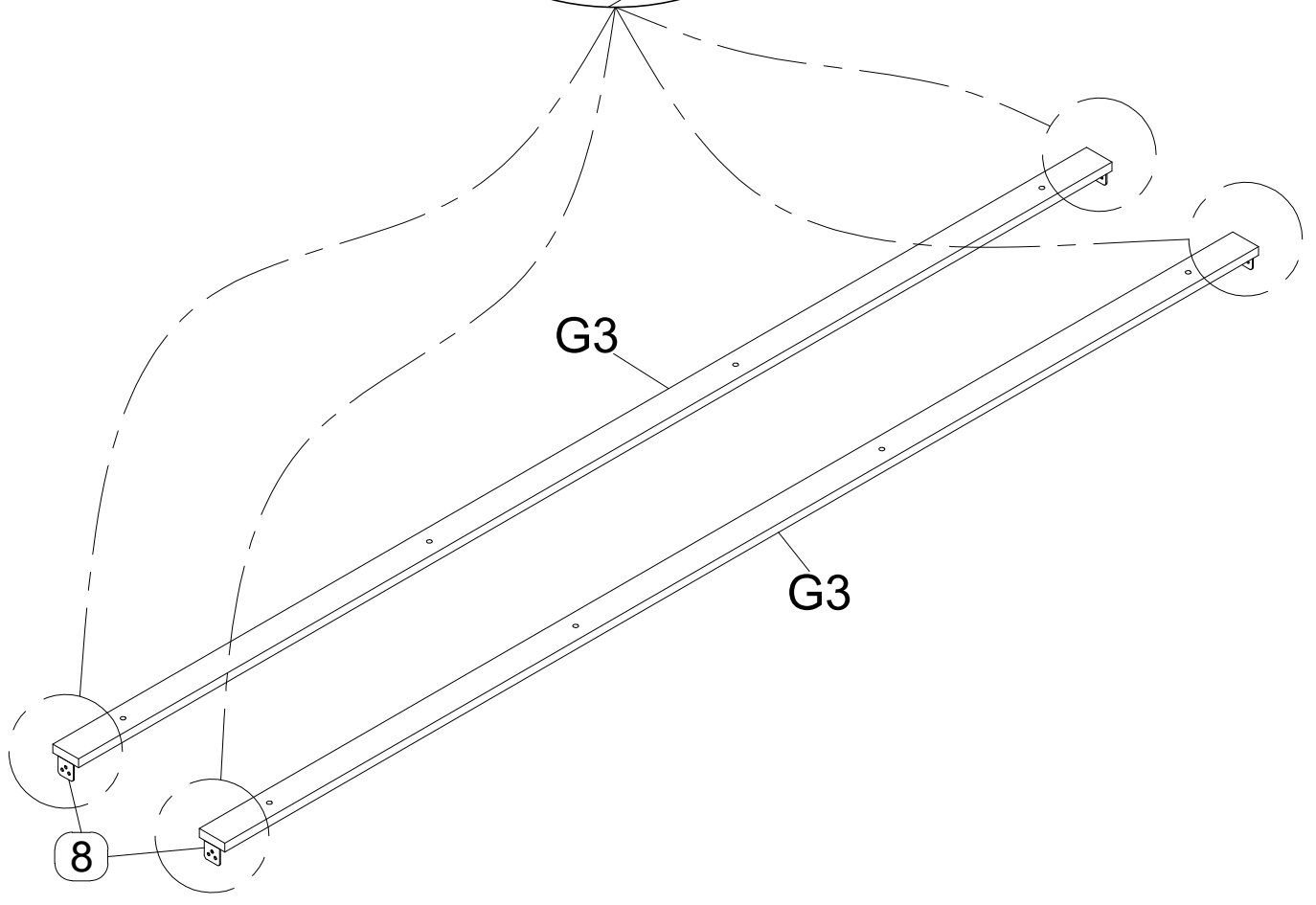
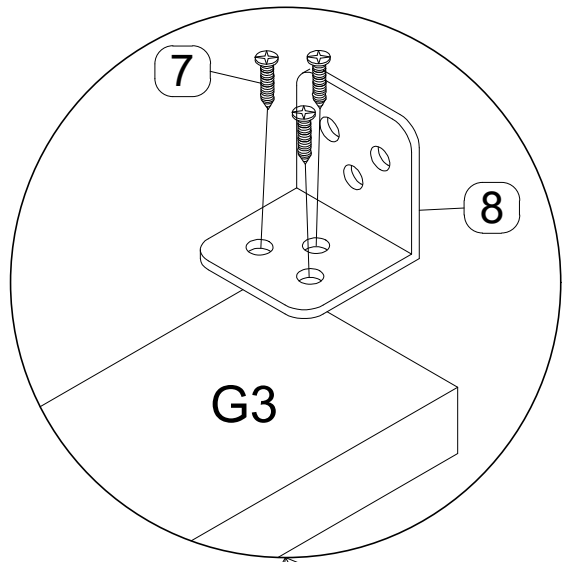
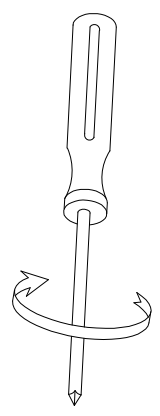
STEP 3

- | | | | |
|-----------------------------------------------------------------------------------|------------------------------------------------------------------------------------|------------------------------------------------------------------------------------|------------------------------------------------------------------------------------|
| 2 | 3 | 4 | 1 |
|  |  |  |  |
| 8PCS | 8PCS | | 8PCS |

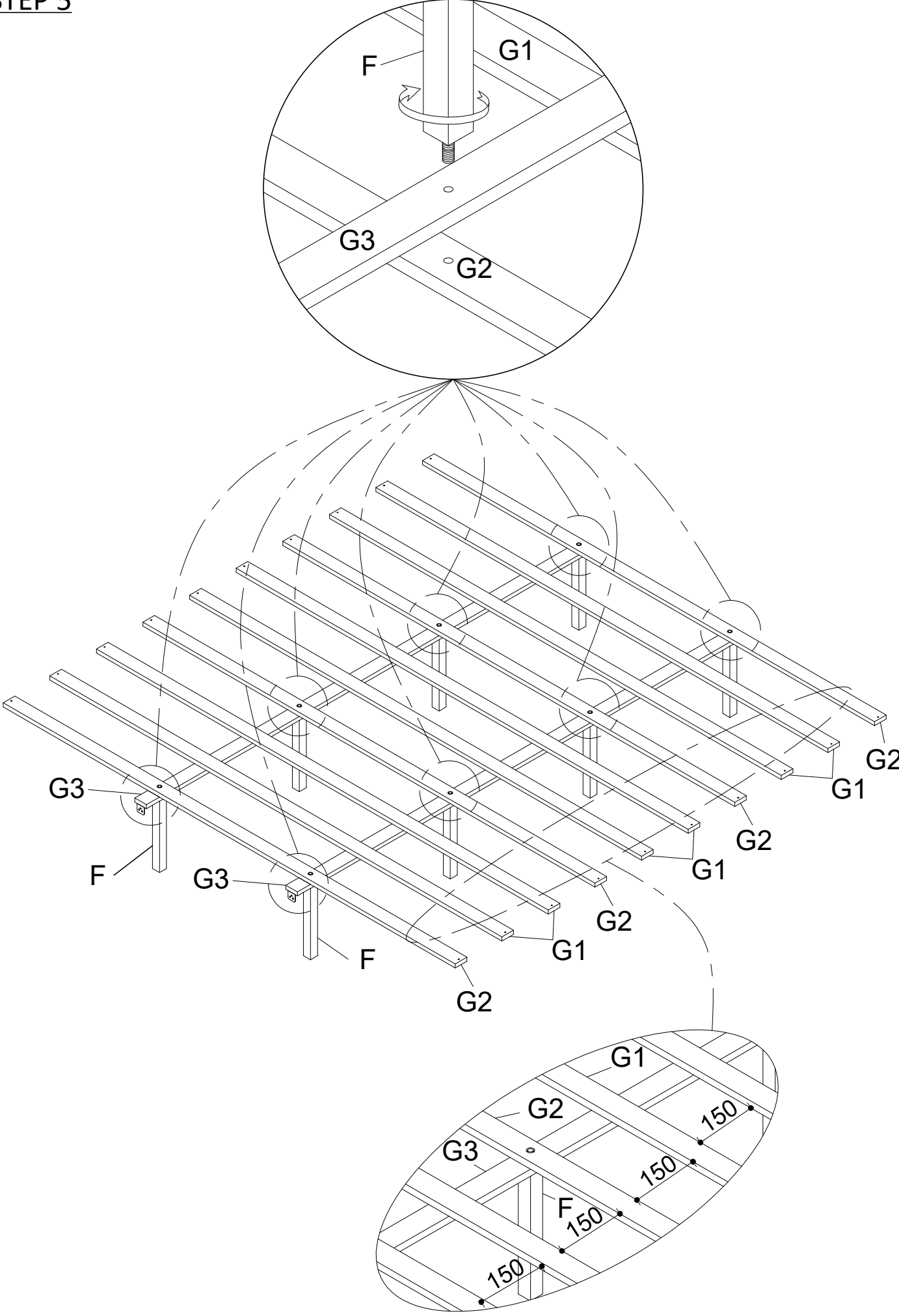


STEP 4



- | | |
|---------------------------------------------------------------------------------------------------------|--------------------------------------------------------------------------------------------------------|
| 7

12PCS | 8

4PCS |
|---------------------------------------------------------------------------------------------------------|--------------------------------------------------------------------------------------------------------|

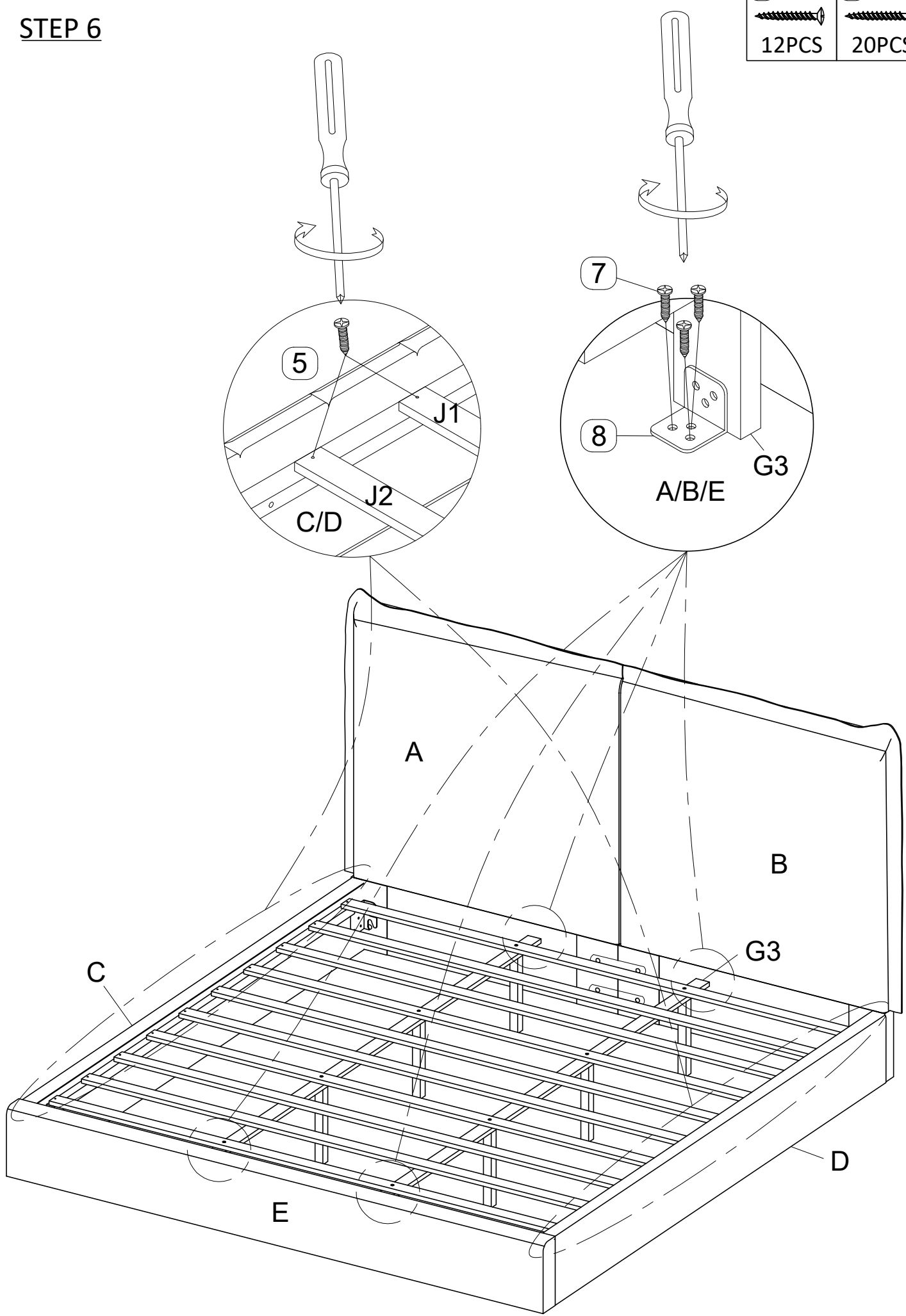


STEP 5

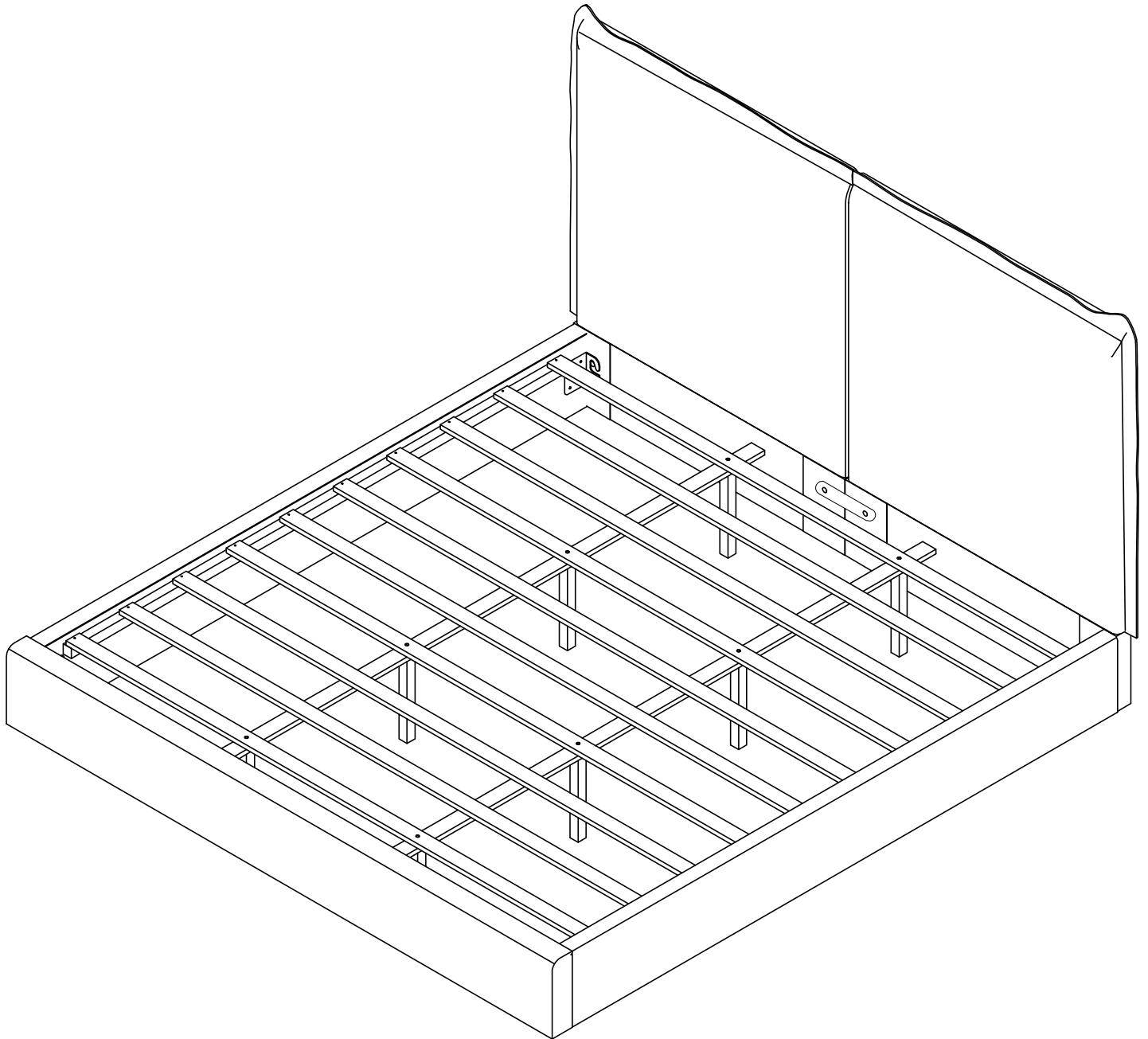


STEP 6

- | | |
|------------------------------------------------------------------------------------|------------------------------------------------------------------------------------|
| 7 | 5 |
|  |  |
| 12PCS | 20PCS |



STEP 7



Please note: this Bed can only be used on a flat, level surface.