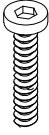



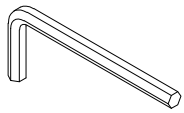
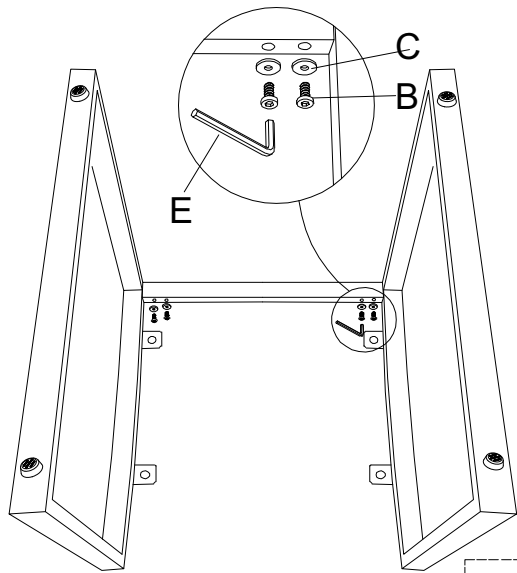
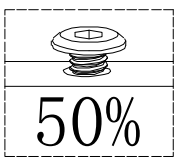


ASSEMBLY INSTRUCTION

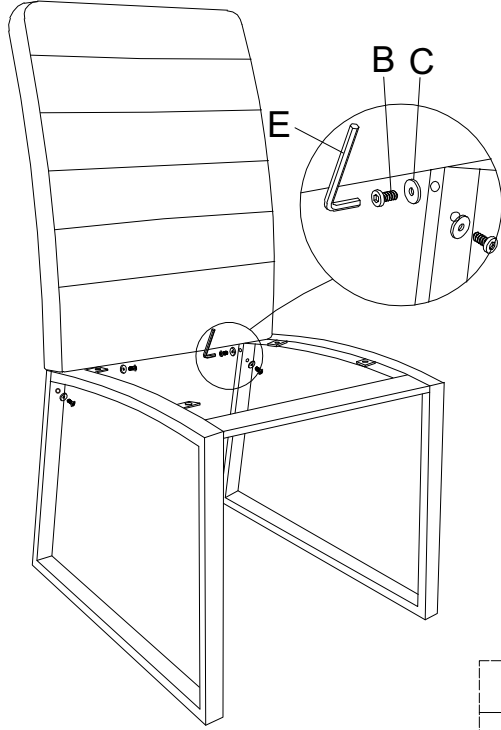
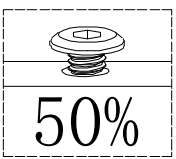
<p>A</p>  <p>M6x20 x4</p>	<p>B</p>  <p>M6x8 x8</p>	<p>C</p>  <p>6x14 x8</p>	<p>D</p>  <p>6x16 x4</p>	<p>E</p>  <p>M5 x1</p>
---	--	--	--	--

1

Don't tighten the screws yet.

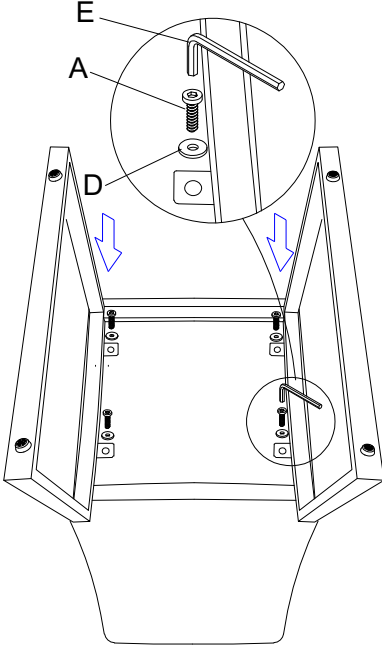



2

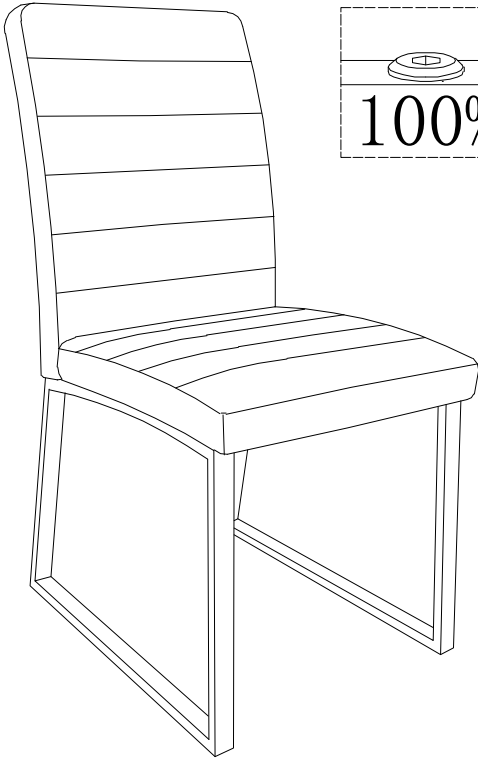



3

Turn the chair frame upside down. Align the seat cushion with the frame, then firmly push it toward the backrest until the mounting holes are fully matched. Securely tighten the screws in order.



4



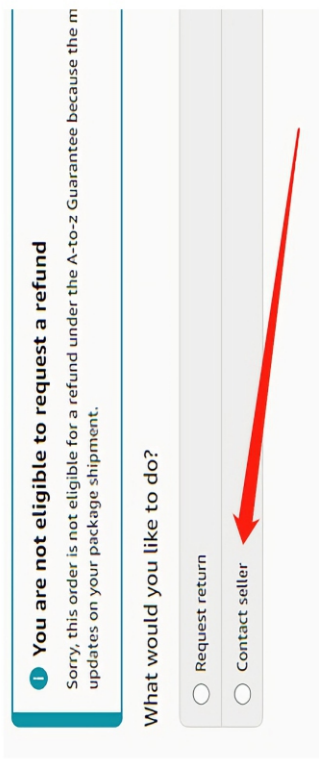
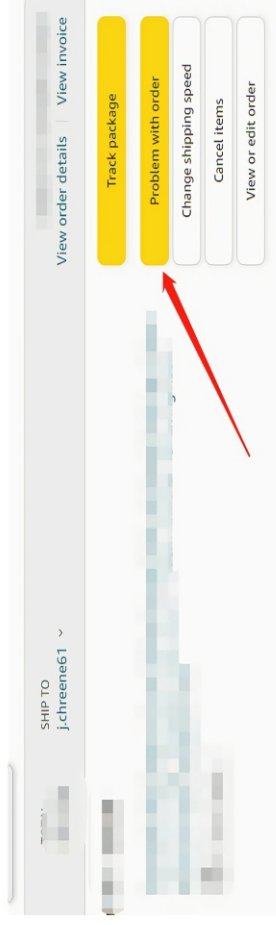

【Kindly Remember】

If the products you receive in this package are not all of the items you purchased, please be patient. The rest of the products will be delivered by other packages. If you would like to know where the rest of the package has arrived, please contact us through Amazon. We will get back to you within 12 hours.



You can contact us in the following ways :

1. Find your order in the list and Select **【Problem with order】** .
2. Choose your topic from list displayed and Select **【Contact seller】** .



3. We will get back to you immediately as soon as we receive your message.

