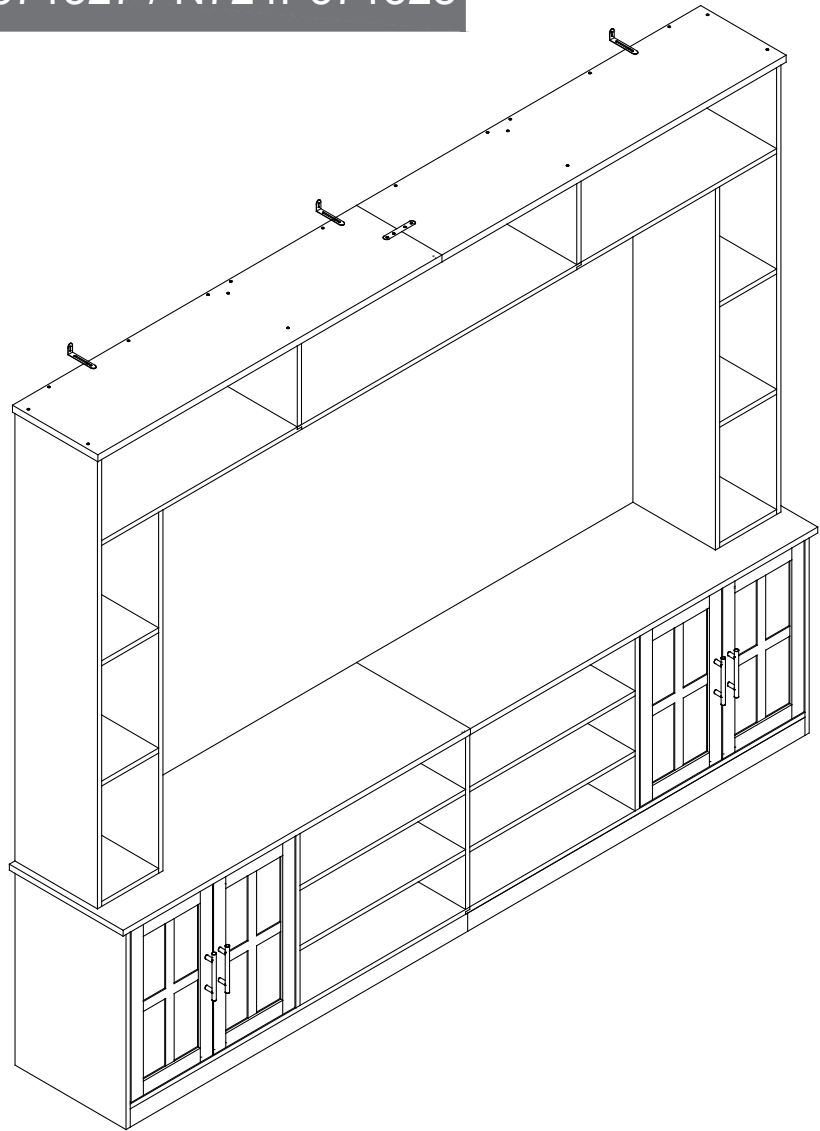


# Entertainment Center

Assembly Instructions - Please keep for future reference

N724P371326 / N724P371327 / N724P371328



## Dimensions

Width- 95.5inch

Depth- 15.75inch

Height- 78.75inch



## WARNING



This product is NOT a Clothing Storage Unit (CSU).

DO NOT use it for clothing storage.

Improper use may cause furniture tipover.

Important – Please read these instructions fully before starting assembly



# Safety and Care Advice

**Important – Please read these instructions fully before starting assembly**

- Check you have all the components and tools listed on the following pages.
- Remove all fittings from the plastic bags and separate them into their groups.
- Keep children and animals away from the work area, small parts could choke if swallowed.
- Make sure you have enough space to layout the parts before starting.

- During assembly do not stand or put weight on the product, this could cause damage.
- Assemble the item as close to its final position (in the same room) as possible.
- Assemble on a soft level surface to avoid damaging the unit or your floor.
- Parts of the assembly will be easier with 2 people.



power drill is set on a low torque setting.

- To reduce the likelihood of damaging your product please ensure that your

## Care and maintenance

- Only clean using a damp cloth and mild detergent, do not use bleach or abrasive cleaners.
- From time to time check that there are no loose screws on this unit.
- This product should not be discarded with household waste. Take to your local authority waste disposal centre.

## Handy Hints

- Assemble all parts and bolts loosely during assembly, only once the product is complete should you fully tighten the bolts
- Regularly check and ensure That all bolts and fittings are tightend properly.

**WARNING**  
**In order to help prevent overturning – please follow these instructions**

To help prevent product toppling over please follow the below steps:-

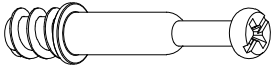
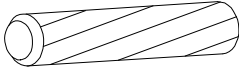
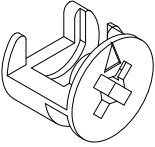
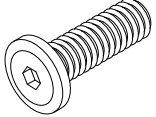
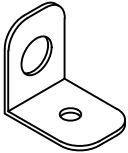
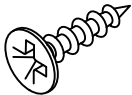
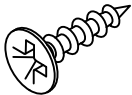
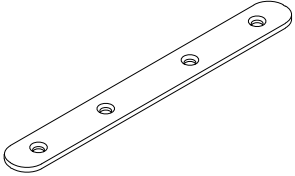

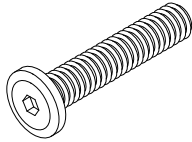
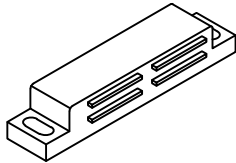
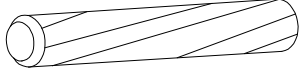
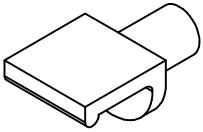
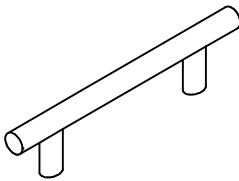
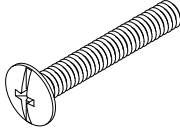
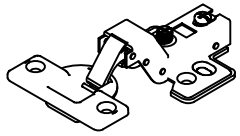
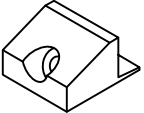
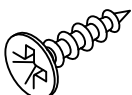

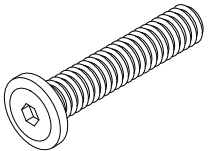
- Use the anti tip stap or wall fixing method provided (if applicable)
- Do not allow children to climb or hang on the furniture
- Do not open more than one drawer at a time
- Do not place heavy items in the top drawers
- Do not place heavy items on top of the furniture, unless the furniture has been designed for this purpose

# Components - Fittings

Please check you have all the panels listed below

Note: The quantities below are the correct amount to complete the assembly. In some cases, more fittings may be supplied than required.

## HARDWARE BOX INSIDE BOX 1

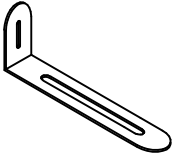

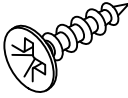
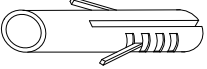
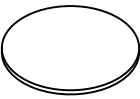
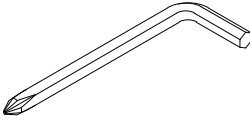
<p><b>A</b> QTY: 82+2</p> 	<p><b>B</b> QTY: 82+2</p>  <p>Ø6*30mm</p>	<p><b>C</b> QTY: 82+2</p> 	<p><b>D</b> QTY: 9</p>  <p>Ø1/4*12mm</p>
<p>CAM BOLT</p>	<p>WOOD DOWEL</p>	<p>CAM LOCK</p>	<p>BOLT</p>
<p><b>E</b> QTY: 6</p> 	<p><b>F</b> QTY: 48+2</p>  <p>Ø7*12mm</p>	<p><b>G</b> QTY: 4</p>  <p>Ø6*12mm</p>	<p><b>H</b> QTY: 7</p> 
<p>L BRACKET</p>	<p>FLAT HEAD SCREW</p>	<p>FLAT HEAD SCREW</p>	<p>IRON SHEET</p>
<p><b>I</b> QTY: 45+2</p>  <p>Ø8*38mm</p>	<p><b>J</b> QTY: 4</p>  <p>Ø1/4*45mm</p>	<p><b>K</b> QTY: 2</p> 	<p><b>L</b> QTY: 6</p>  <p>Ø6*40mm</p>
<p>FLAT HEAD SCREW</p>	<p>BOLT</p>	<p>MAGNET</p>	<p>WOOD DOWEL</p>
<p><b>M</b> QTY: 8</p> 	<p><b>N</b> QTY: 4</p> 	<p><b>O</b> QTY: 8</p>  <p>Ø8*19mm</p>	<p><b>P</b> QTY: 8</p> 
<p>SHELF SUPPORT PIN</p>	<p>HANDLE</p>	<p>HANDLE BOLT</p>	<p>HINGE</p>
<p><b>Q</b> QTY: 36</p> 	<p><b>R</b> QTY: 36</p>  <p>Ø6*19mm</p>	<p><b>S</b> QTY: 4</p> 	<p><b>T</b> QTY: 8</p>  <p>Ø1/4*25mm</p>
<p>CONNER BLOCK</p>	<p>FLAT HEAD SCREW</p>	<p>MAGNET PLATE</p>	<p>BOLT</p>

# Components - Fittings

Please check you have all the panels listed below

Note: The quantities below are the correct amount to complete the assembly. In some cases, more fittings may be supplied than required.

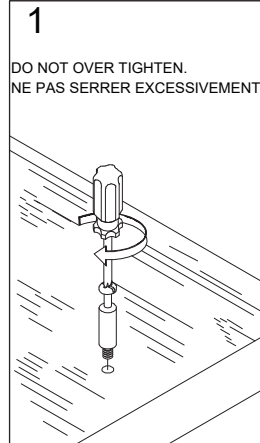
## HARDWARE BOX INSIDE BOX 1

<p>U QTY: 3</p> 	<p>V QTY: 3</p>  <p>Ø7*15mm</p>	<p>W QTY: 34</p>  <p>Ø6*12mm</p>	<p>X QTY: 3</p> 
<p>ANTI-TIP L BRACKET</p>	<p>PAN HEAD SCREW</p>	<p>FLAT HEAD SCREW</p>	<p>ANCHOR</p>
<p>Y QTY: 46+2</p> 	<p>Z QTY: 1</p> 		
<p>PERFECT FIT</p>	<p>HEX KEY</p>		

# Using Camlocks

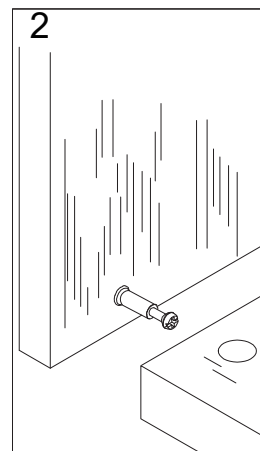
## Step 1

Connect the male camlock as directed in the assembly instructions using a screwdriver.



## Step 2

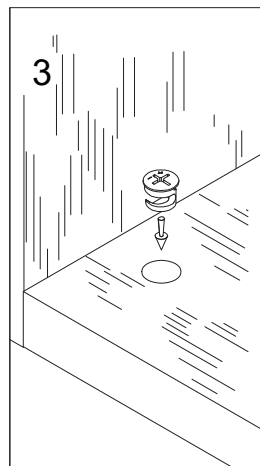
Push the male camlock into the entry hole.



## Step 3

Insert the female camlock as shown in the instruction.

Note: ensure that the arrow on the top of the camlock points towards the entry hole for the male camlock.

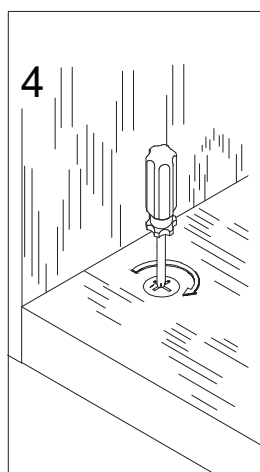


## Step 4

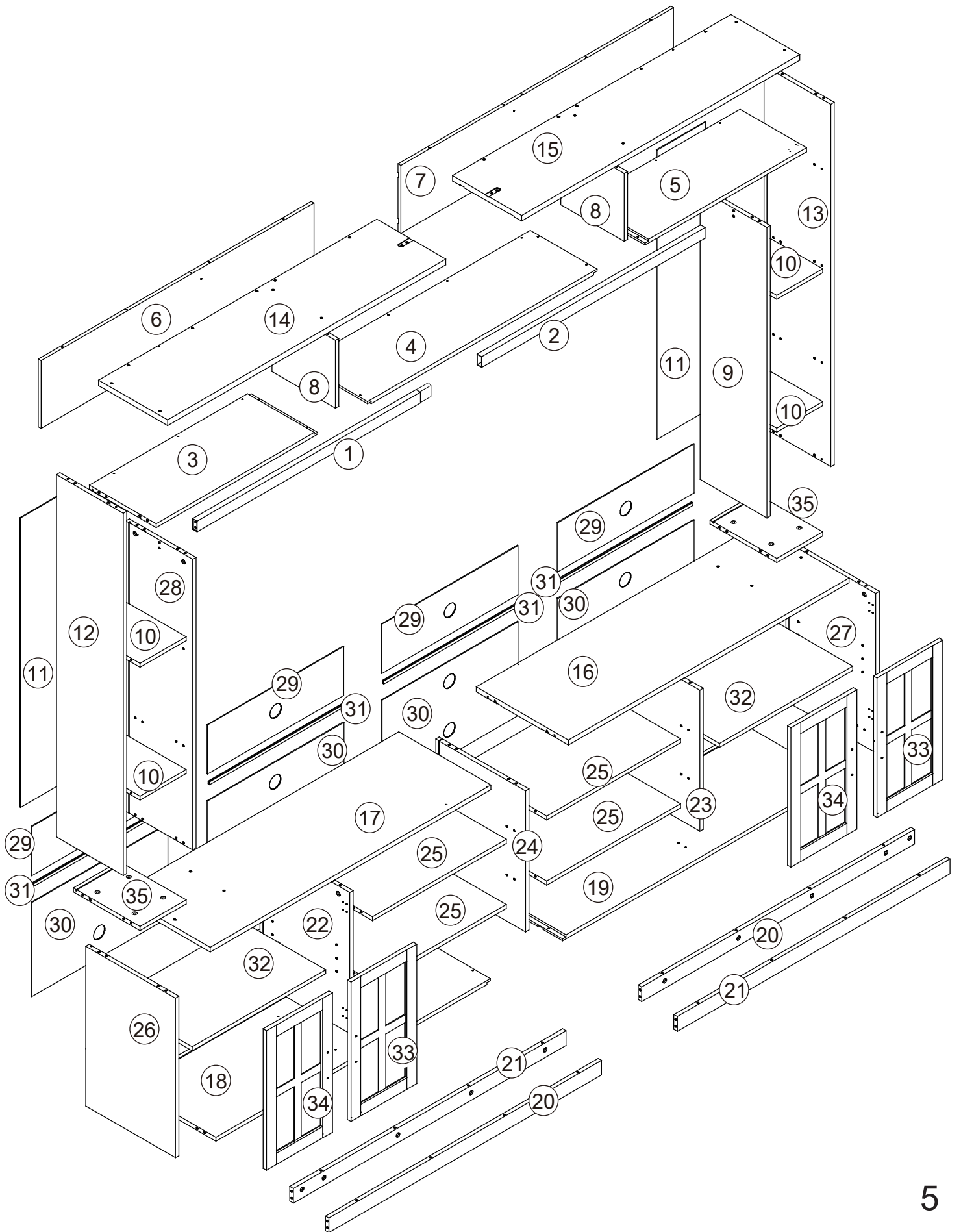
Turn the female camlock clockwise with a screwdriver.

You should feel a click when the camlock is locked in place.

The joint is now secure.



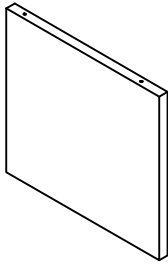
# Assembly Instructions



# COMPONENTS - KEY DIAGRAM

BOX 1: N724P371326

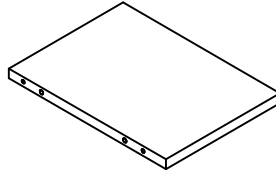
8



278x255x14mm

QTY: 2

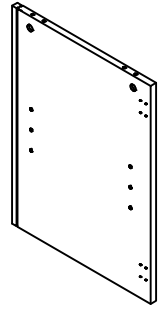
10



274x201x14mm

QTY: 4

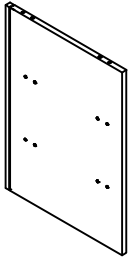
22



531x390x14mm

QTY: 1

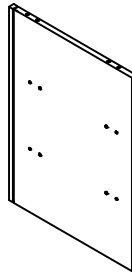
23



531x390x14mm

QTY: 1

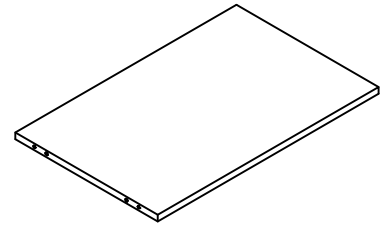
24



531x390x14mm

QTY: 1

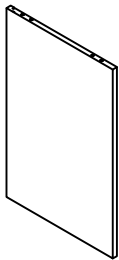
25



582x374x14mm

QTY: 4

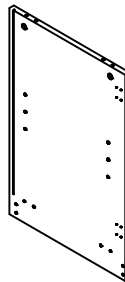
26



600x390x14mm

QTY: 1

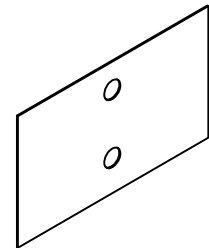
27



600x390x14mm

QTY: 1

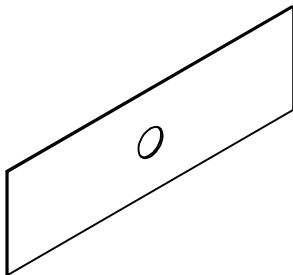
30



590x351x3mm

QTY: 4

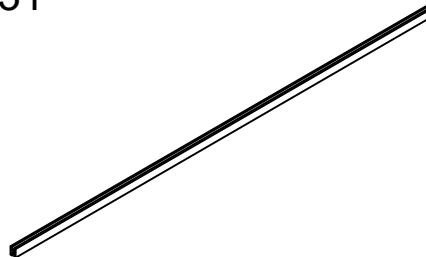
29



590x186x3mm

QTY: 4

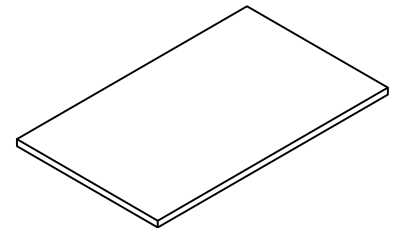
31



580mm

QTY: 4

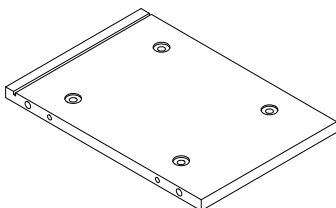
32



580x350x14mm

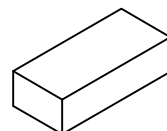
QTY: 2

35



290x201x14mm

QTY: 2



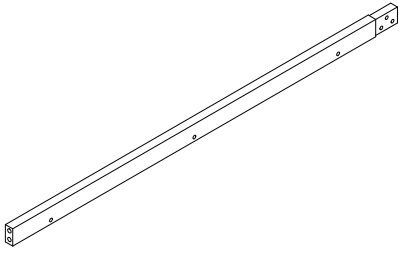
Hardware kit

QTY: 1

# COMPONENTS - KEY DIAGRAM

BOX 2 : N724P371327

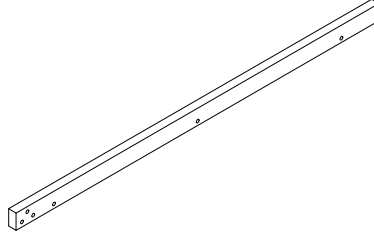
1



1030x40x20mm

QTY: 1

2



970x40x20mm

QTY: 1

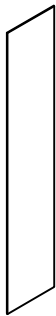
9



1095x290x14mm

QTY: 1

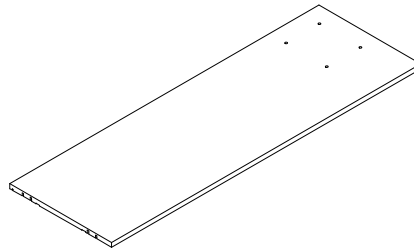
11



1089x209x3mm

QTY: 2

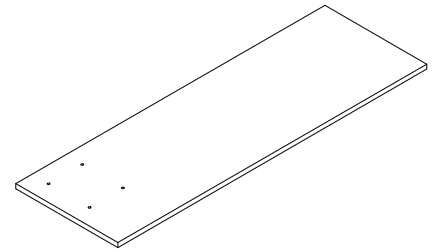
16



1213x400x17mm

QTY: 1

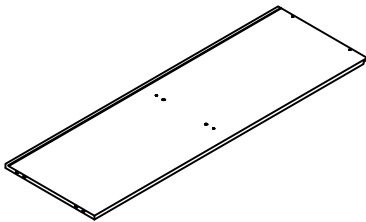
17



1213x400x17mm

QTY: 1

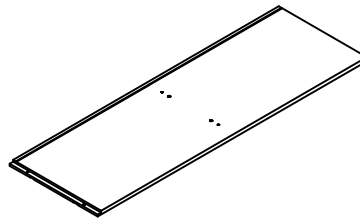
18



1193x390x14mm

QTY: 1

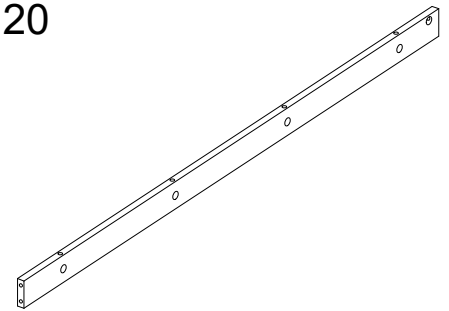
19



1193x390x14mm

QTY: 1

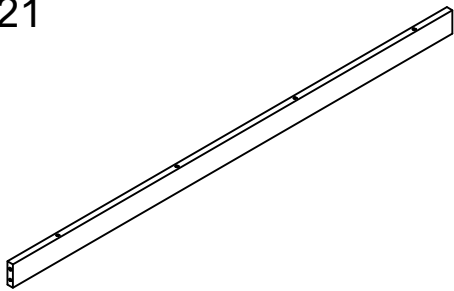
20



1185x55x14mm

QTY: 2

21



1185x55x14mm

QTY: 2

28



1095x290x14mm

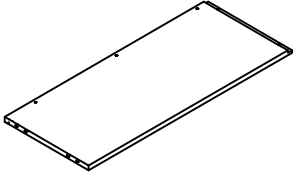
QTY: 1



# COMPONENTS - KEY DIAGRAM

BOX 3: N724P371328

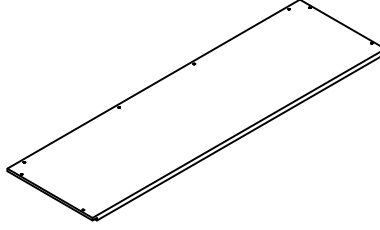
3



701x290x14mm

QTY: 1

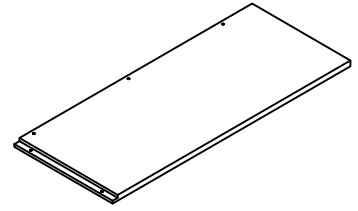
4



1000x290x14mm

QTY: 1

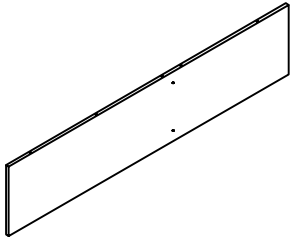
5



701x290x14mm

QTY: 1

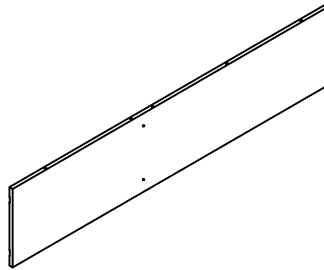
6



1185x255x12mm

QTY: 1

7



1185x255x12mm

QTY: 1

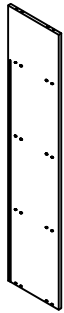
12



1364x290x14mm

QTY: 1

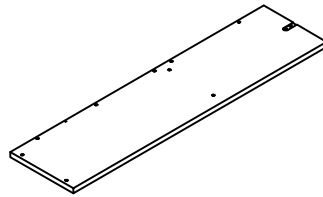
13



1364x290x14mm

QTY: 1

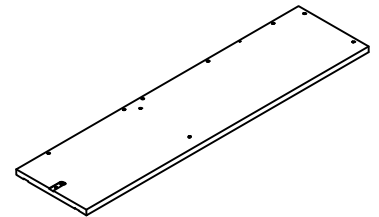
14



1209x300x17mm

QTY: 1

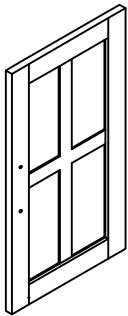
15



1209x300x17mm

QTY: 1

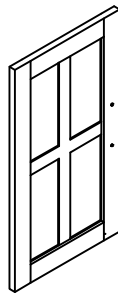
33



525x287x14mm

QTY: 2

34

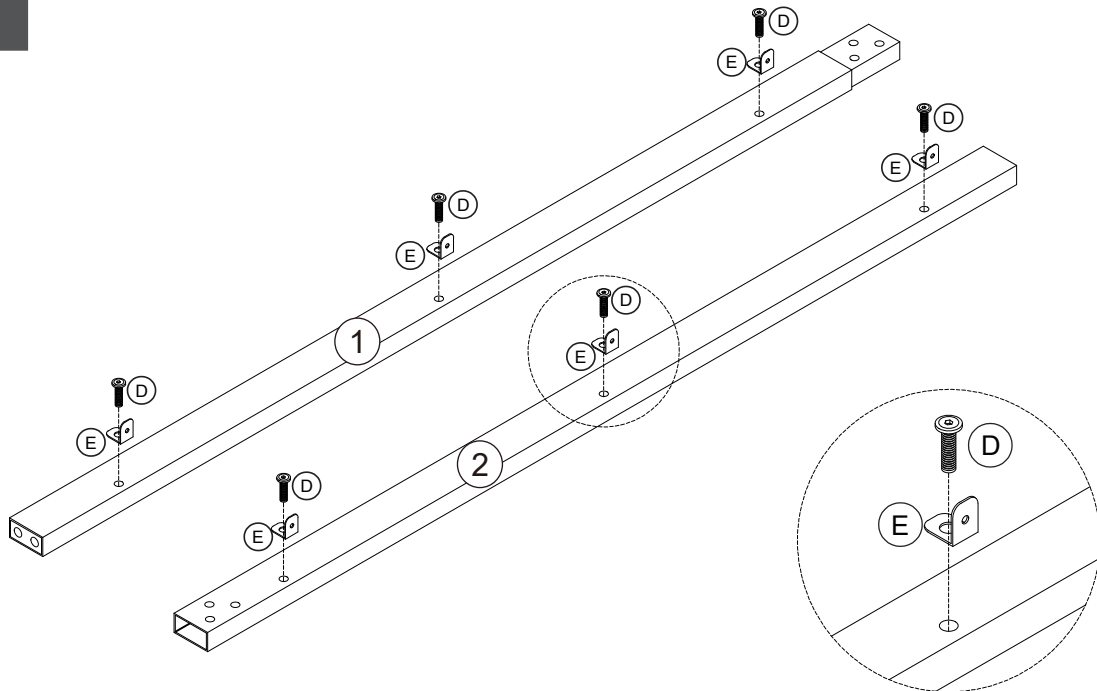


525x287x14mm

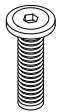
QTY: 2

# Assembly Instructions

## Step 1



D



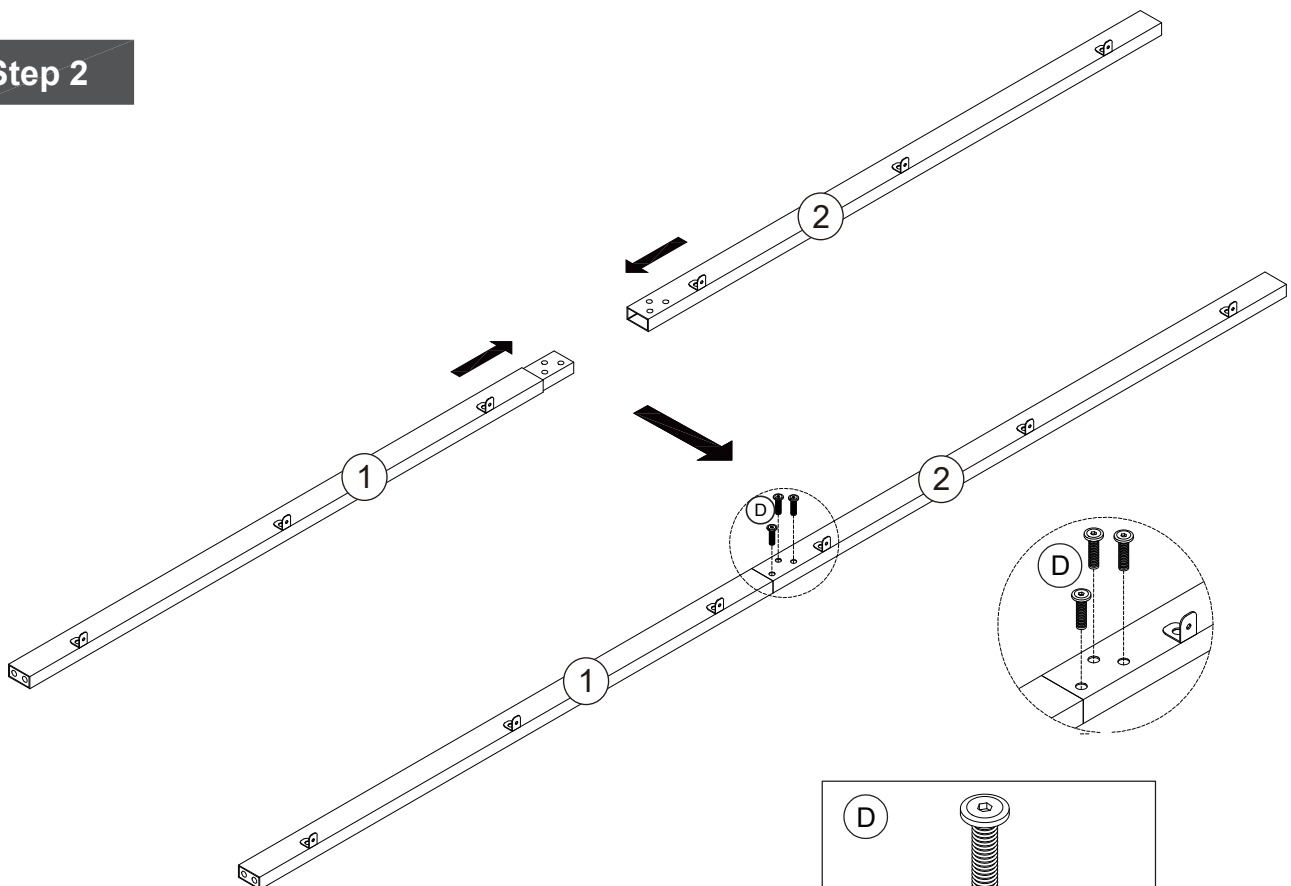
Ø1/4x12mm Bolt x 6

E



L Bracket x 6

## Step 2



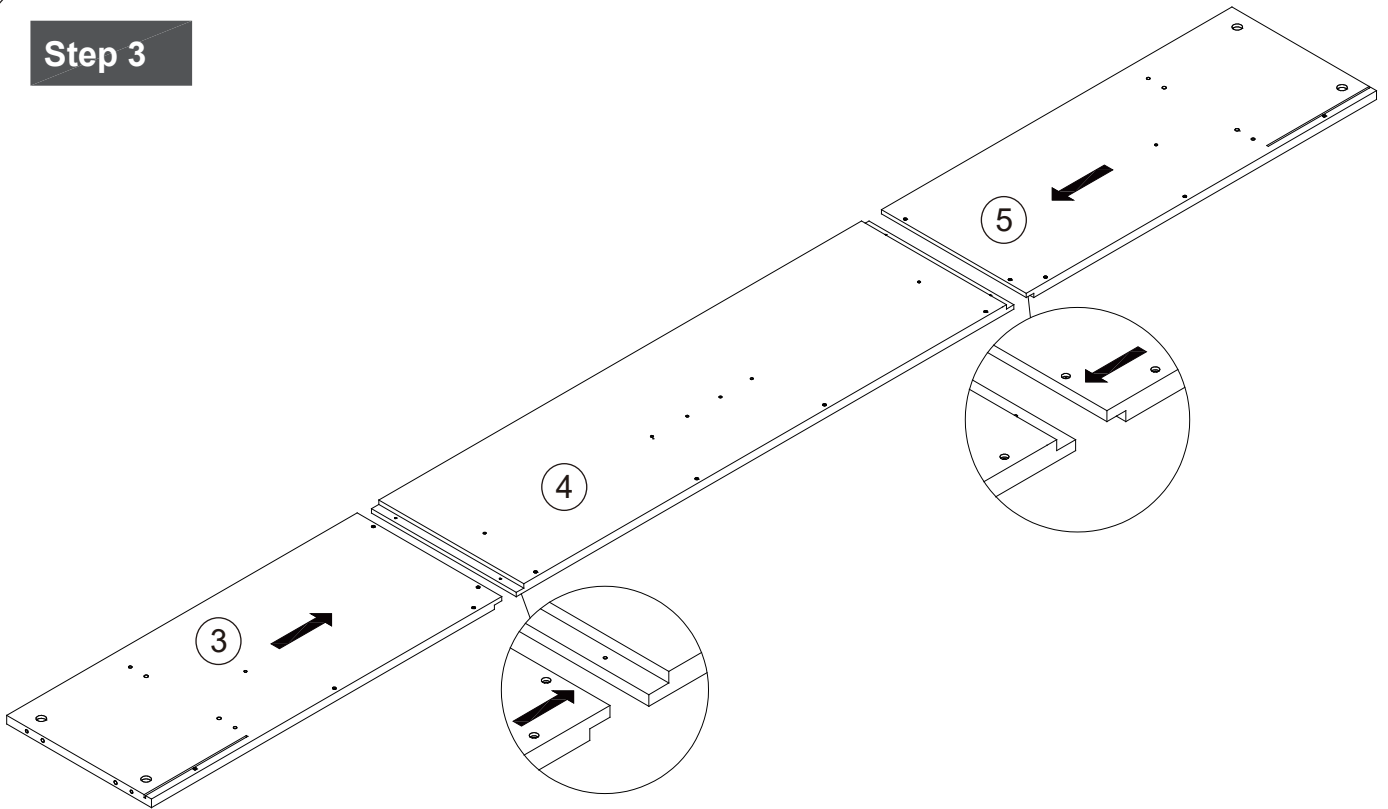
D



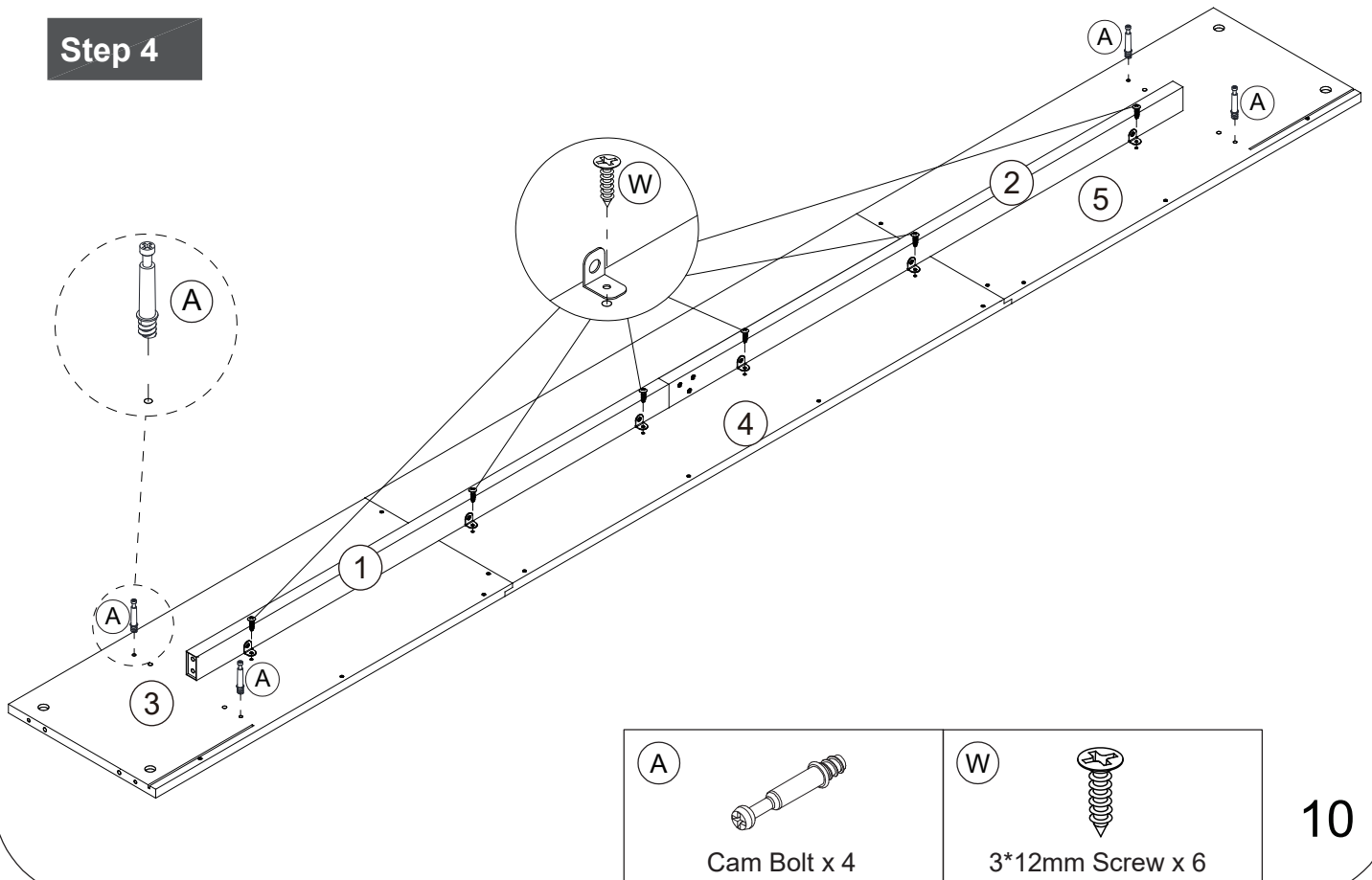
Ø1/4x12mm Bolt x 3

# Assembly Instructions

## Step 3

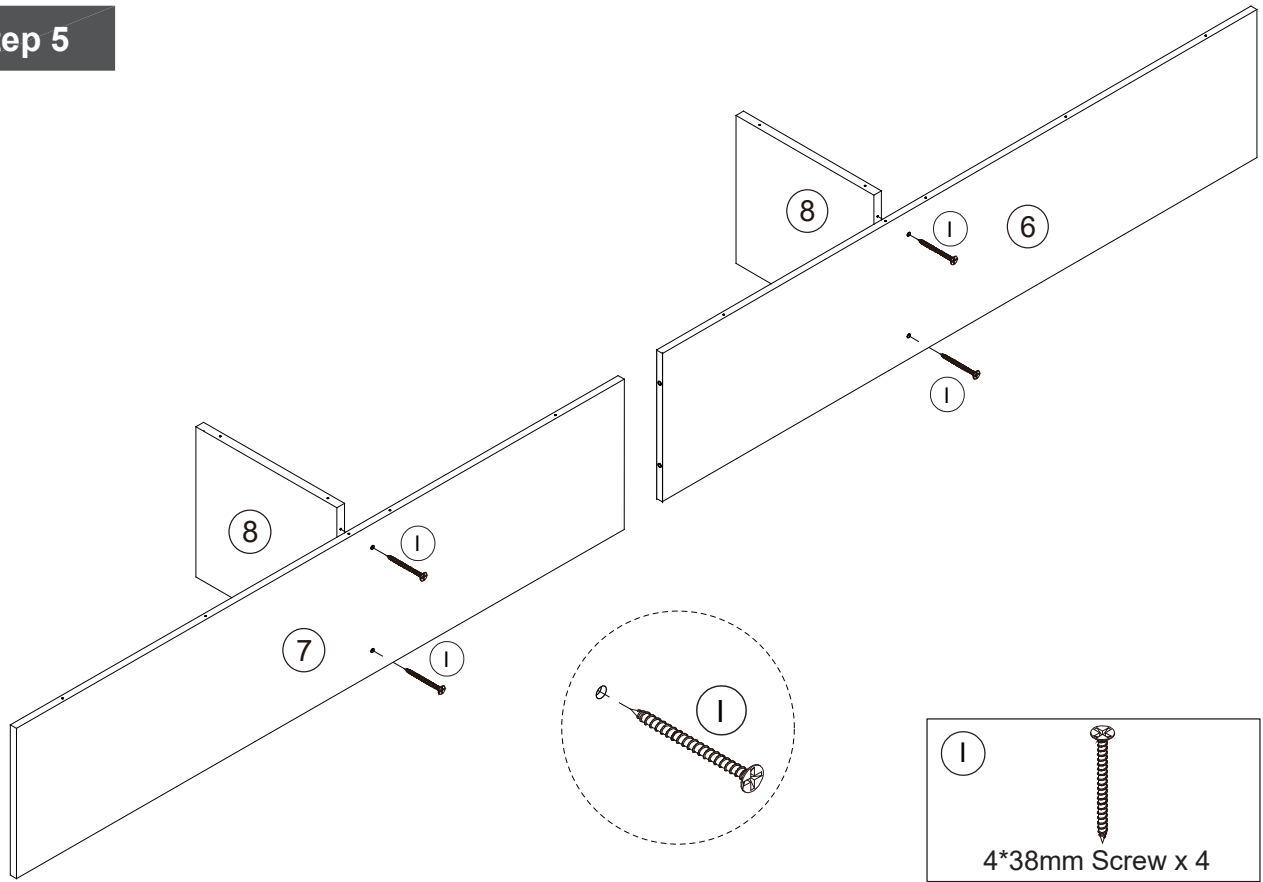


## Step 4

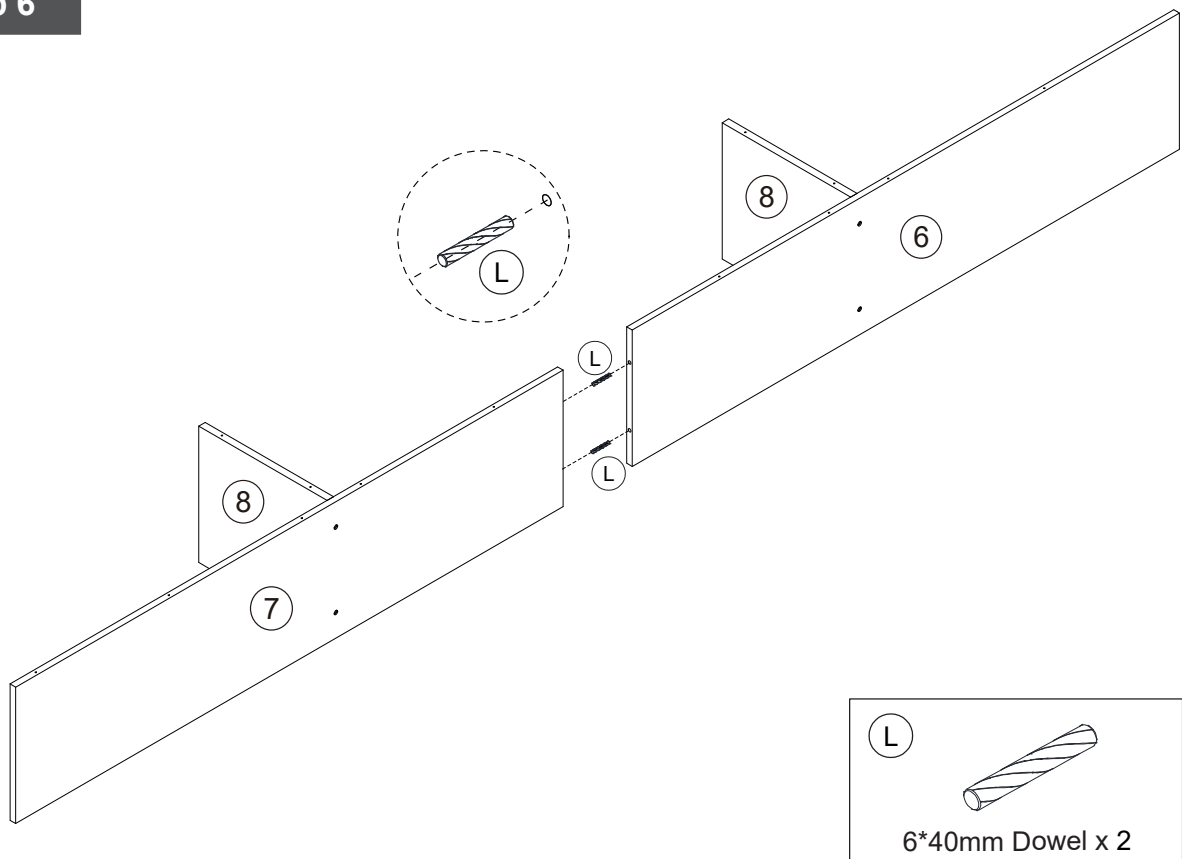


# Assembly Instructions

## Step 5



## Step 6

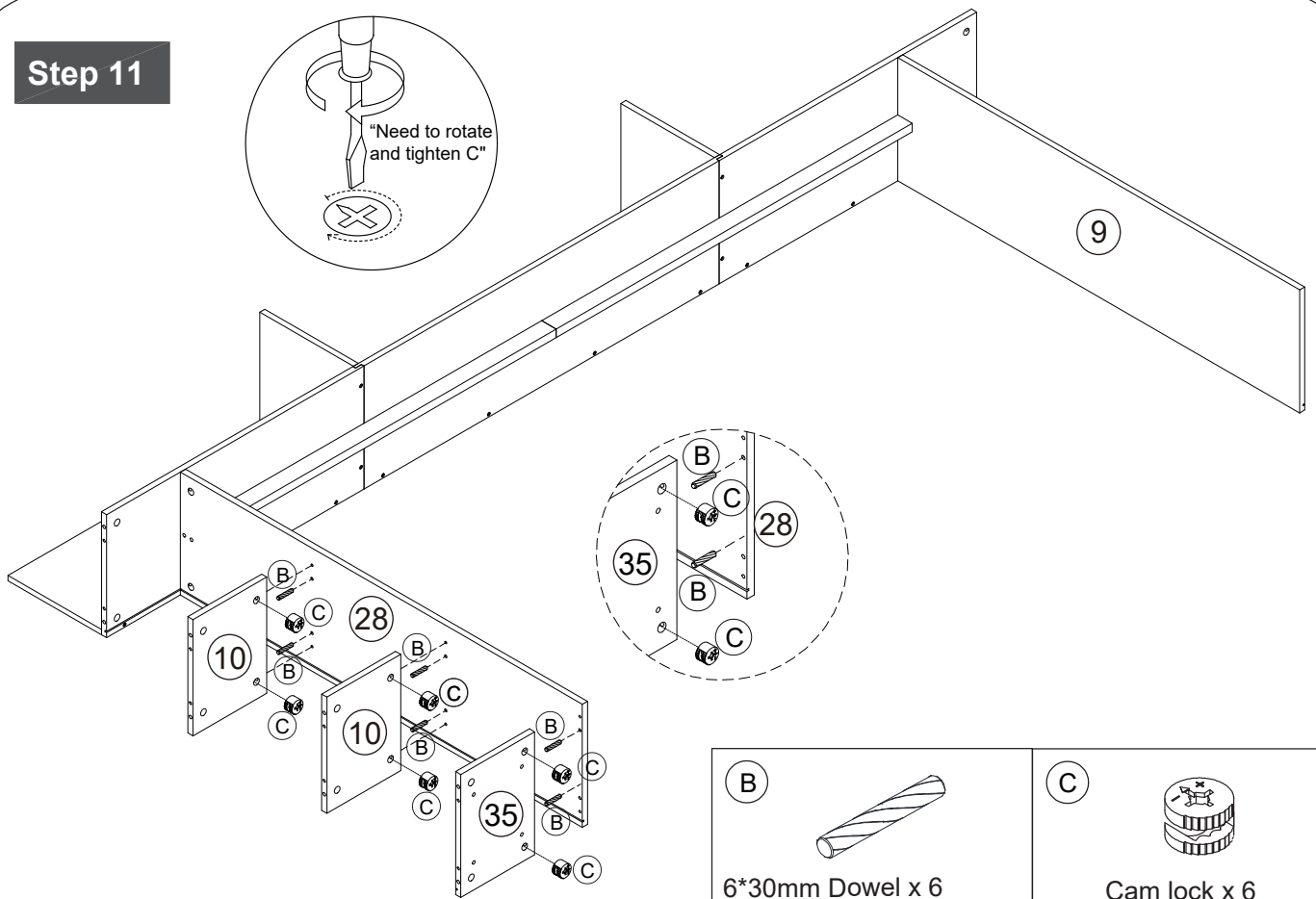
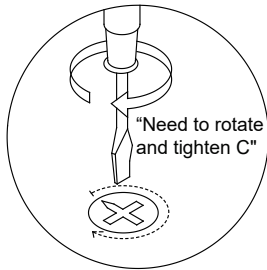




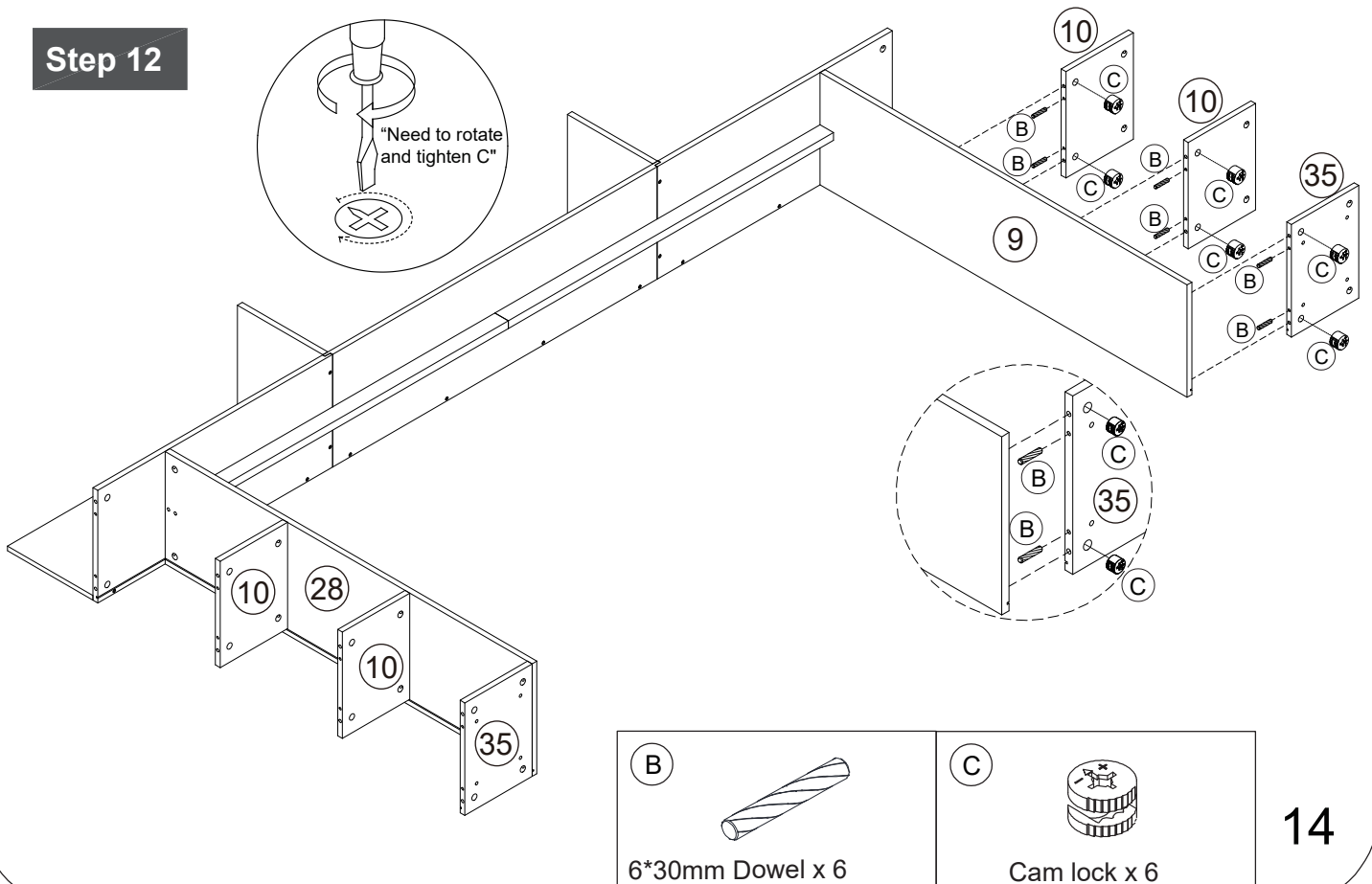
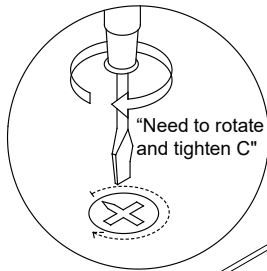


# Assembly Instructions

## Step 11

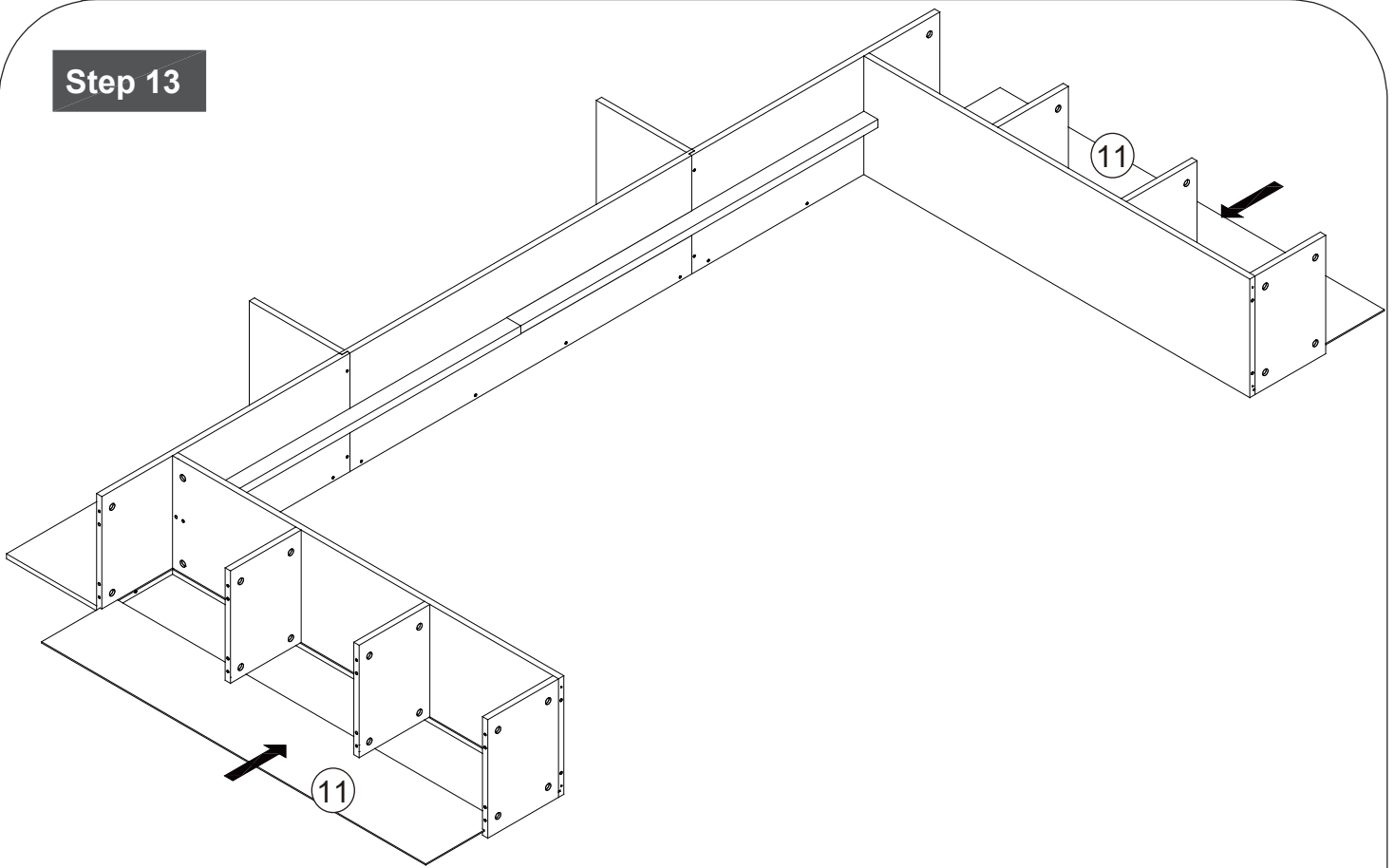


## Step 12

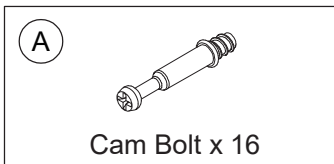
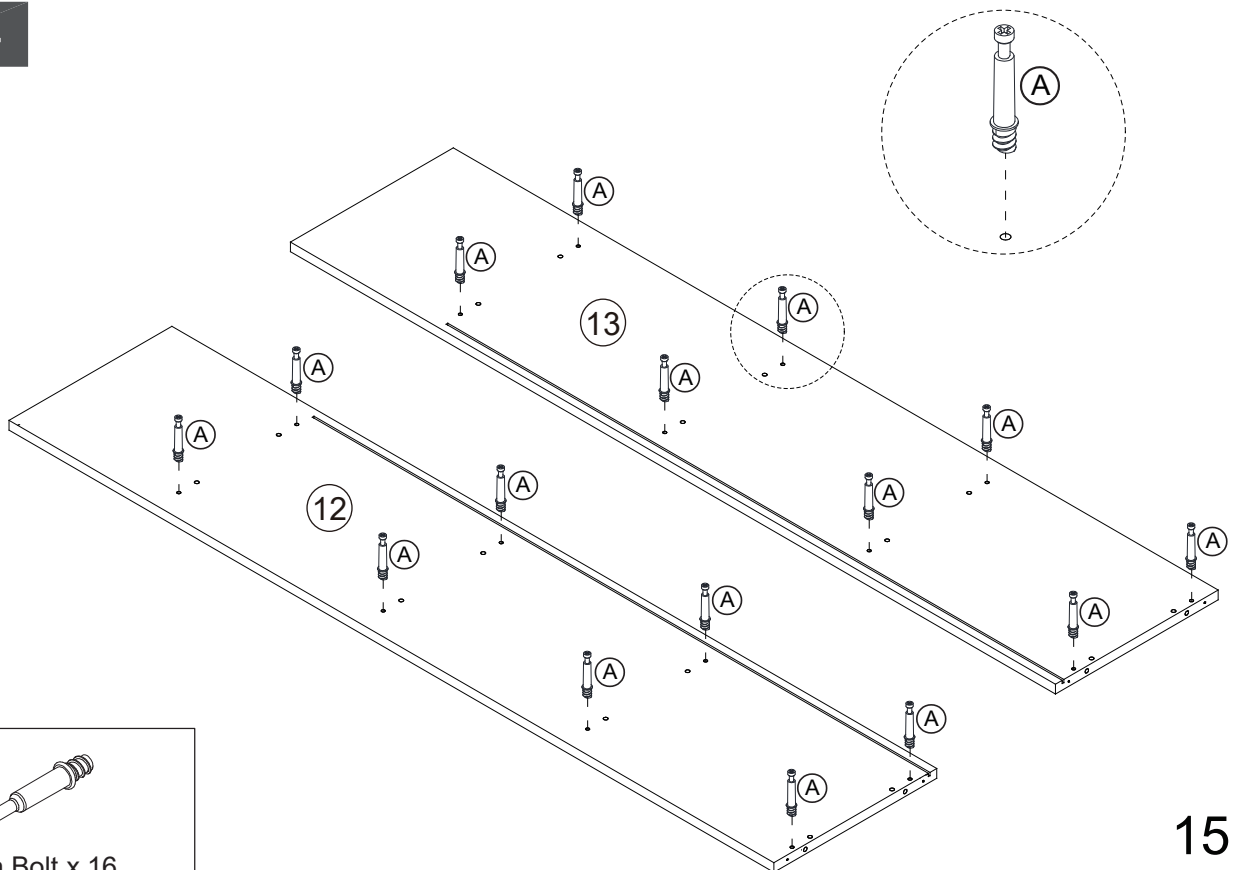


# Assembly Instructions

## Step 13



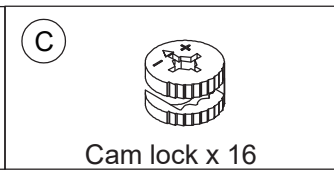
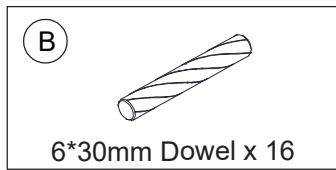
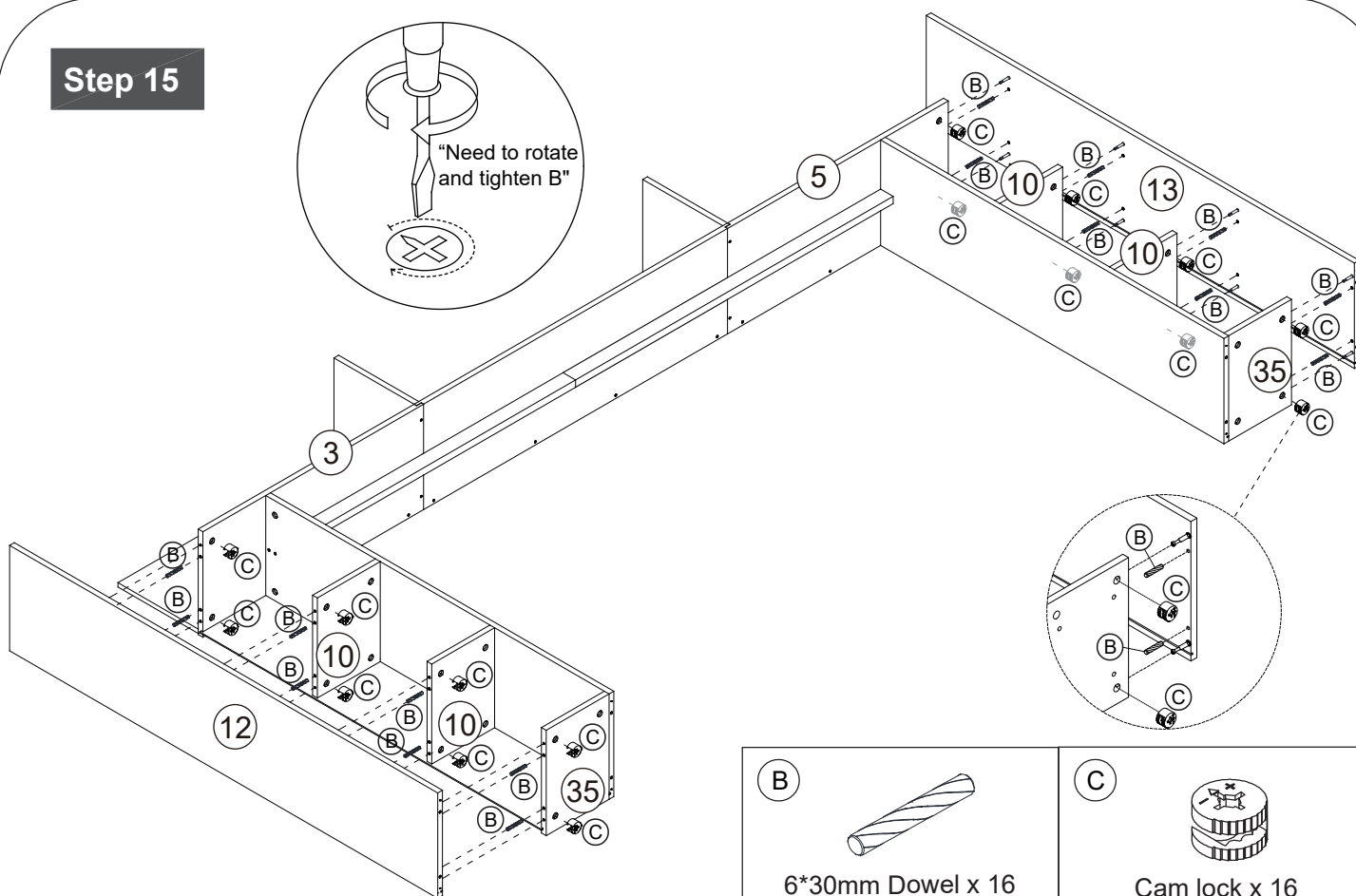
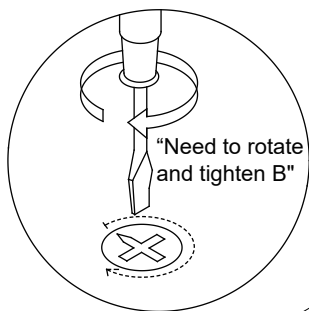
## Step 14



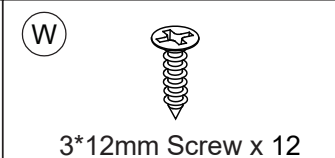
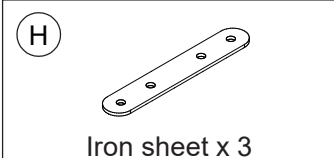
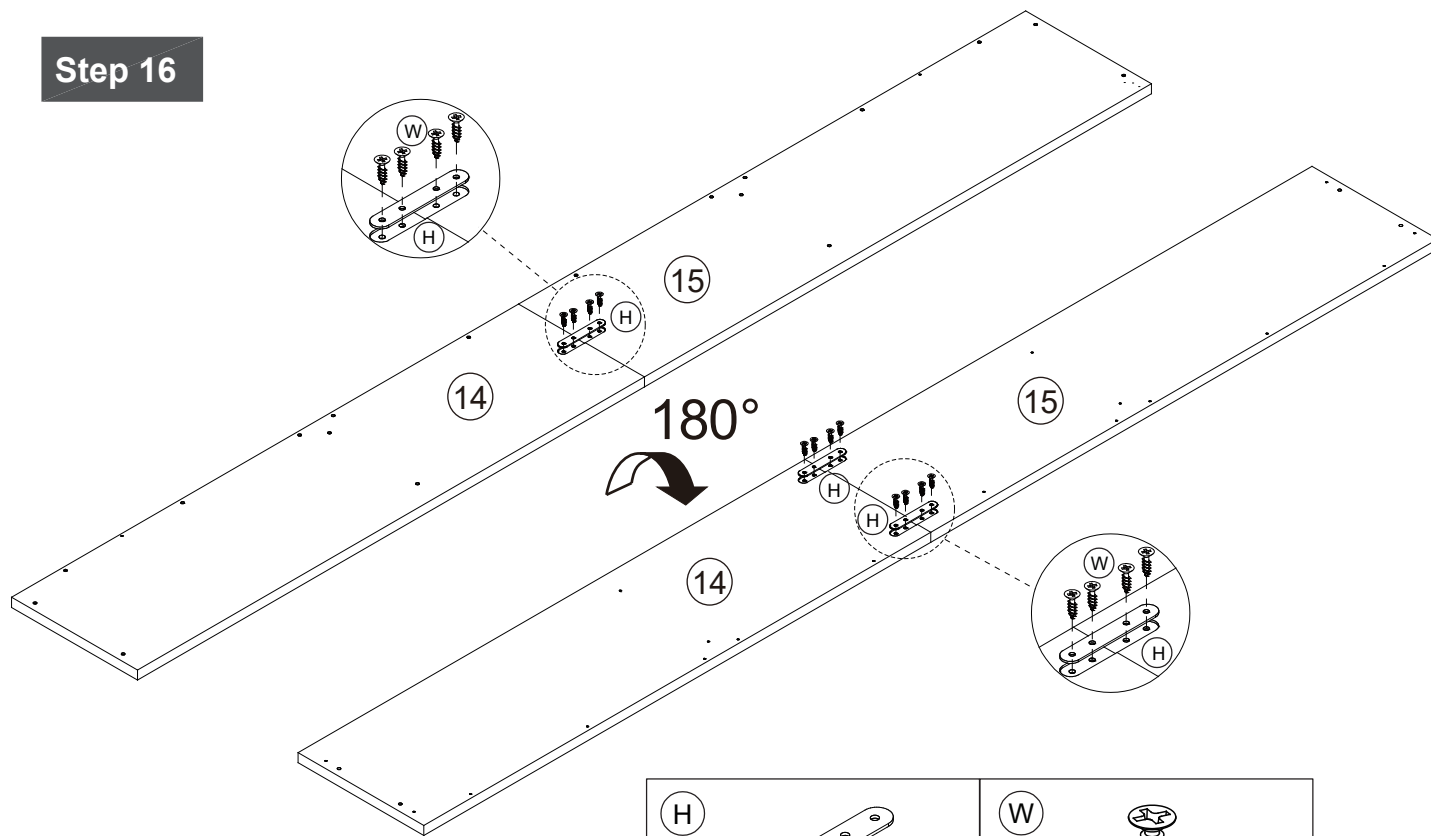


# Assembly Instructions

## Step 15

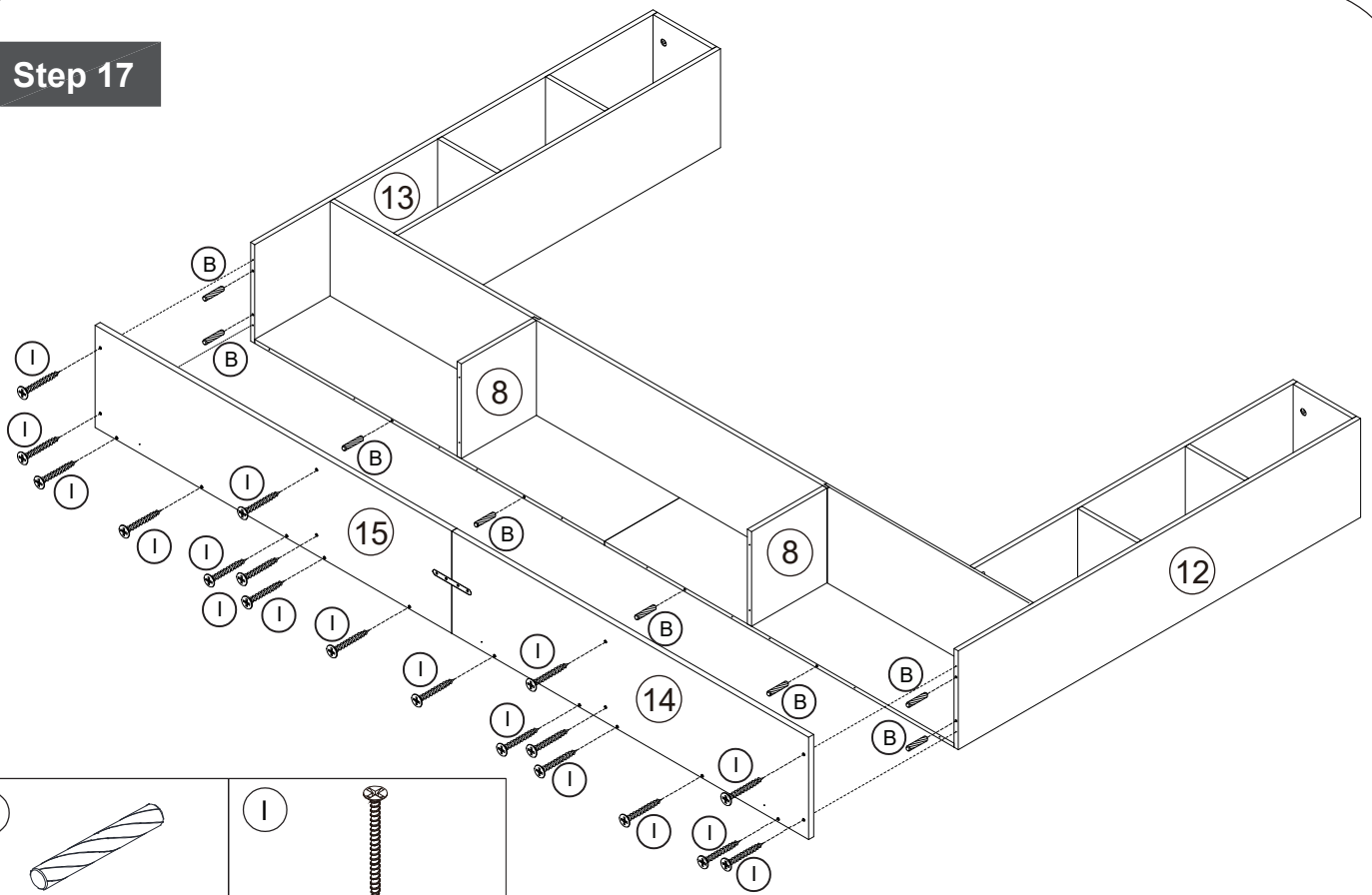


## Step 16



# Assembly Instructions

## Step 17



(B)



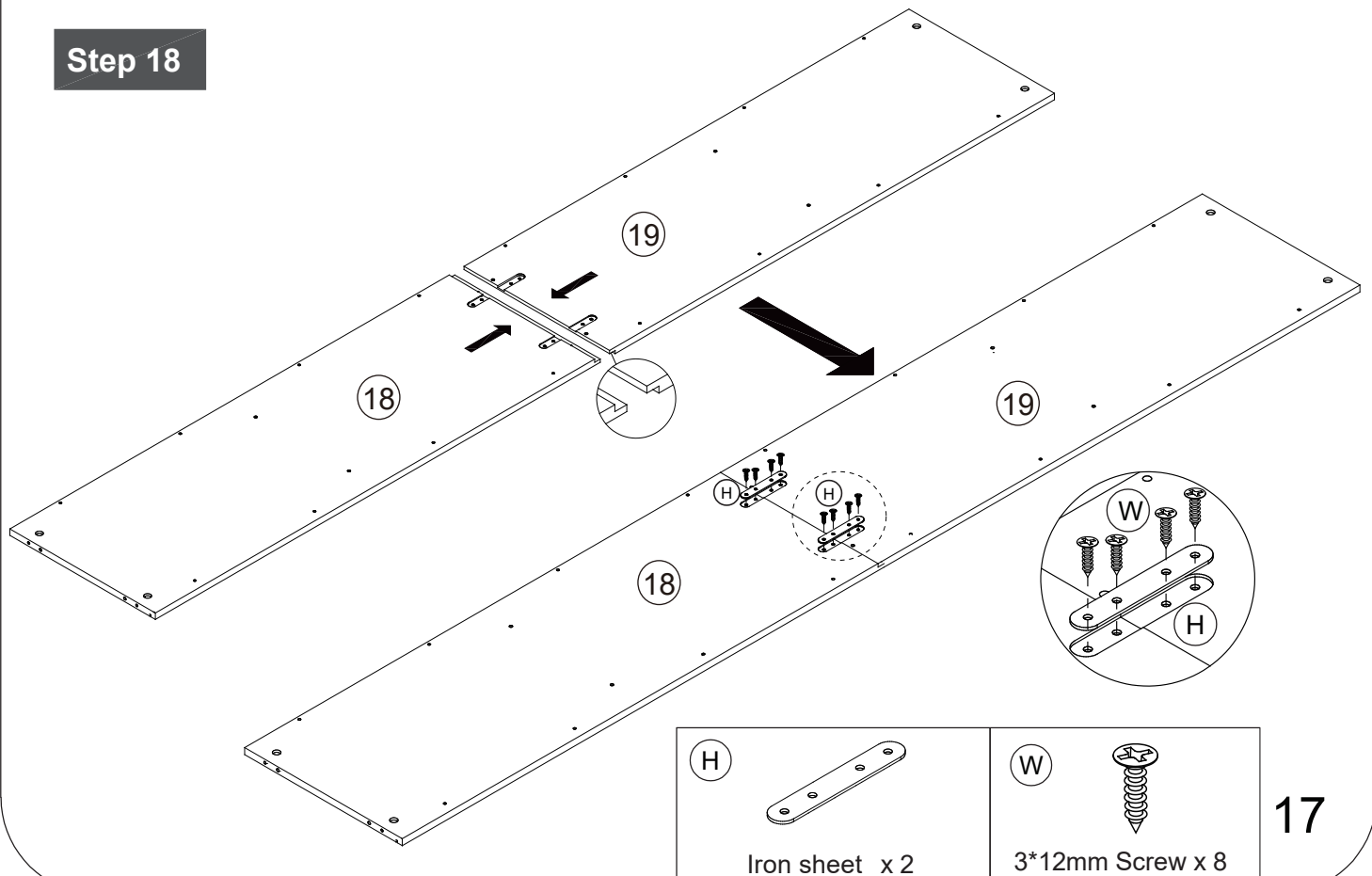
6\*30mm Dowel x 8

(I)

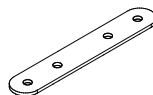


4\*38mm Screw x 18

## Step 18



(H)



Iron sheet x 2

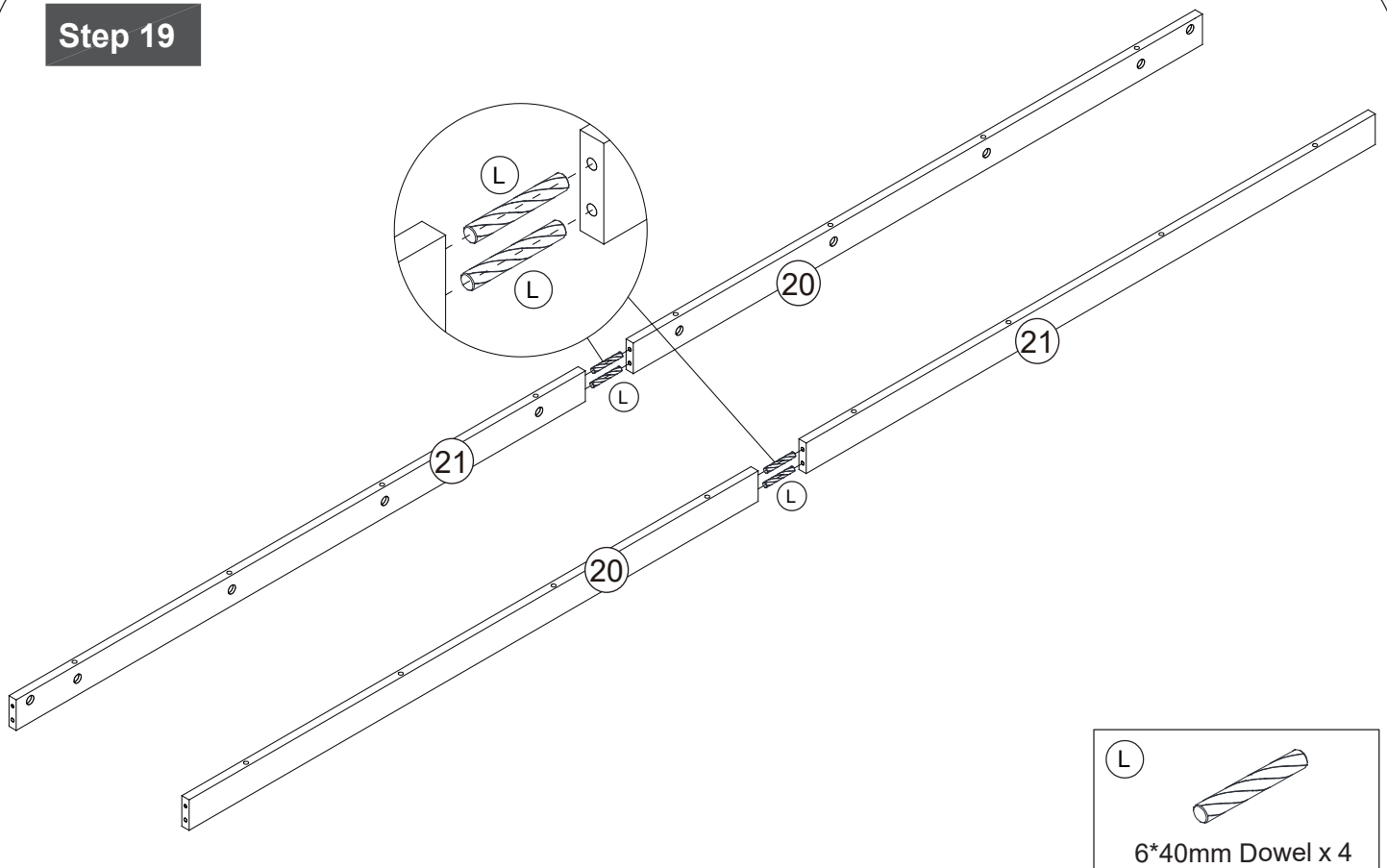
(W)



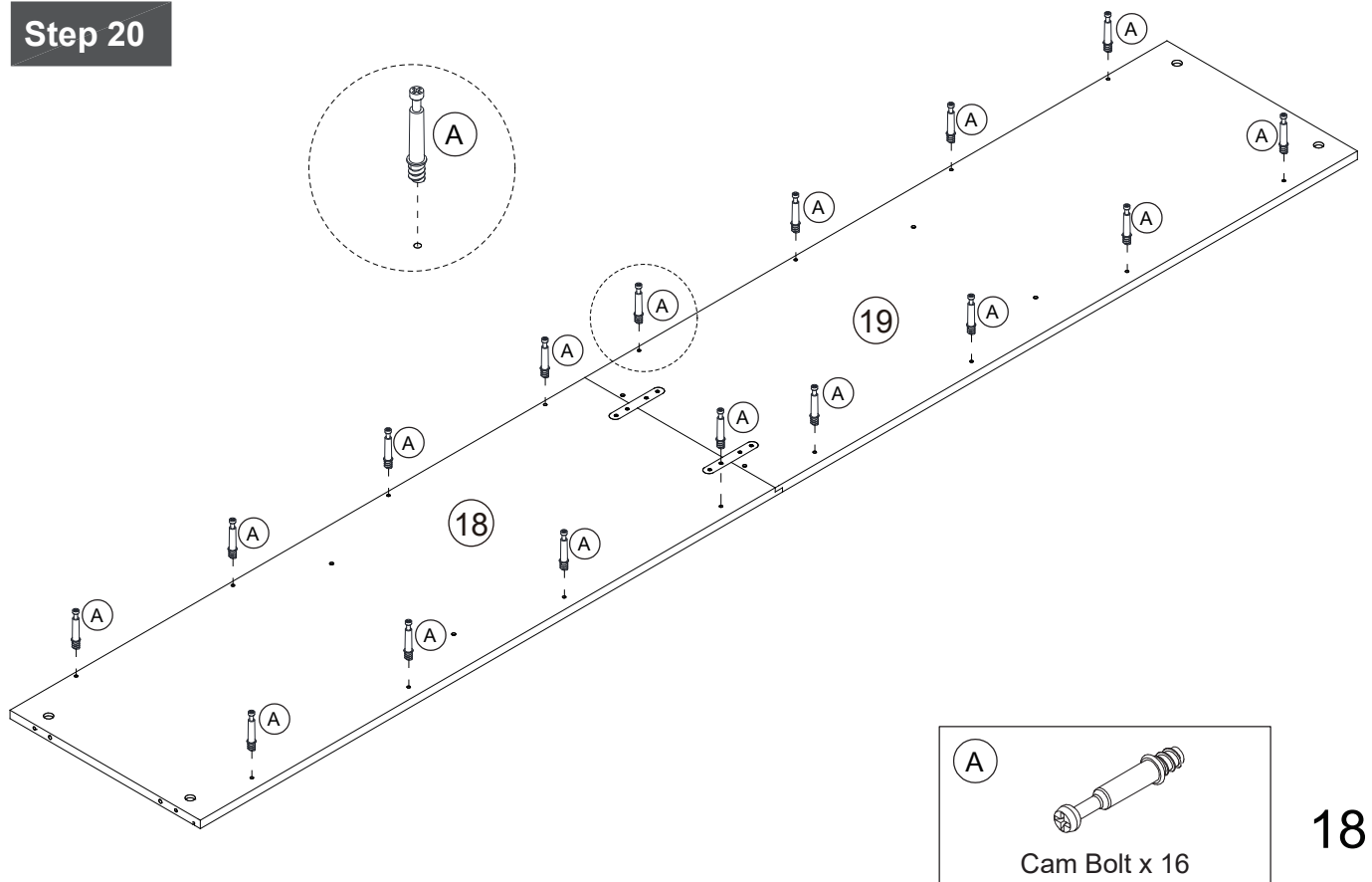
3\*12mm Screw x 8

# Assembly Instructions

## Step 19

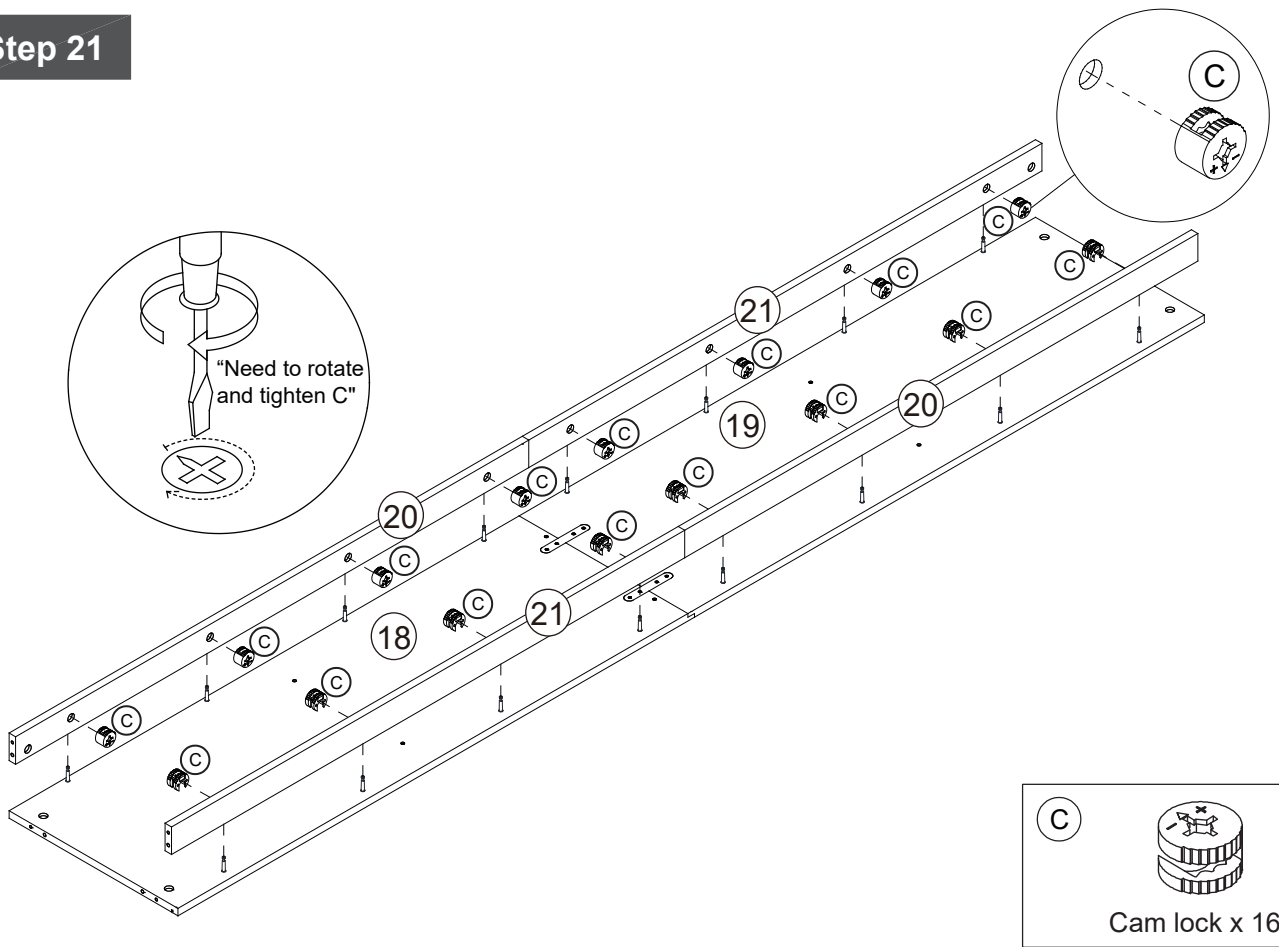


## Step 20

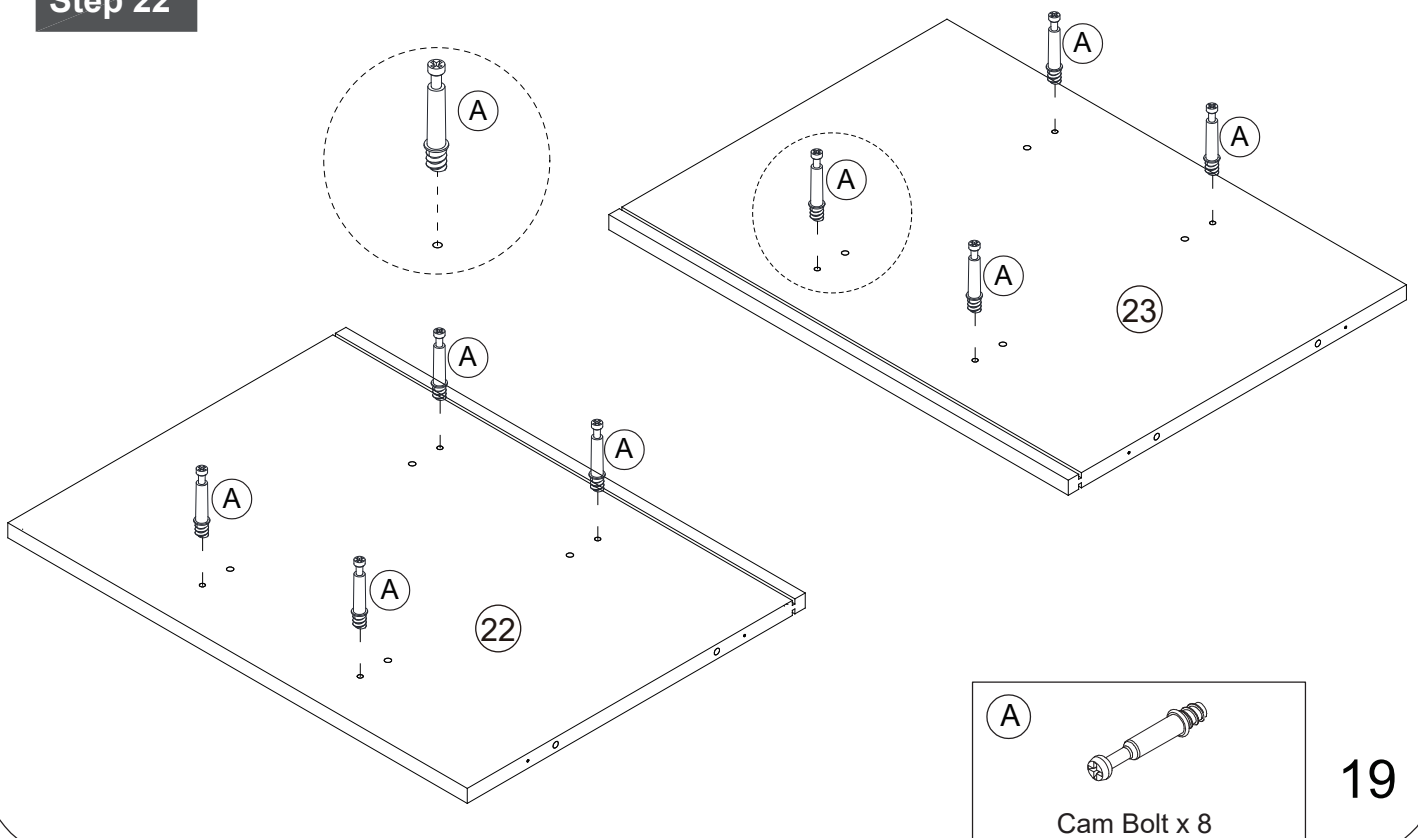


# Assembly Instructions

## Step 21

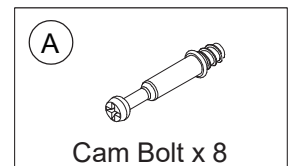
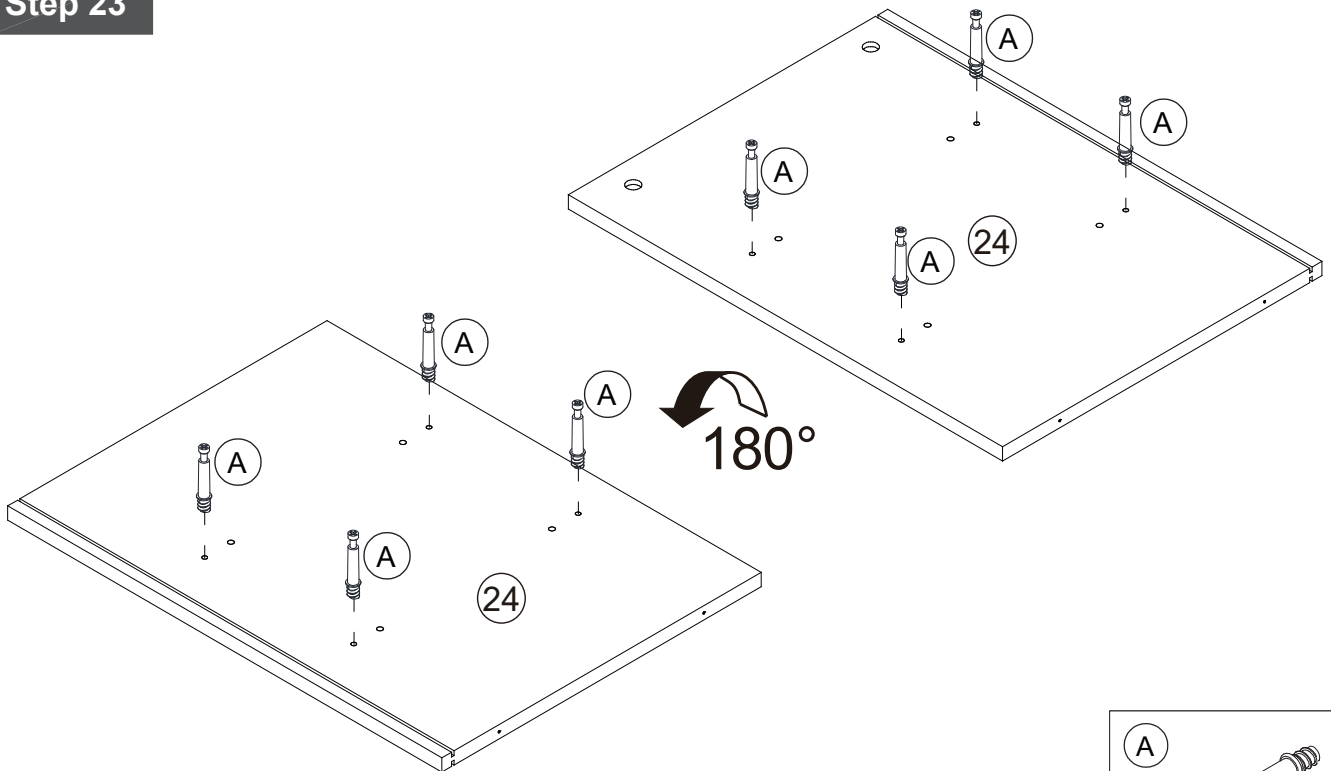


## Step 22

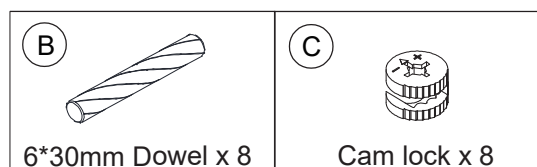
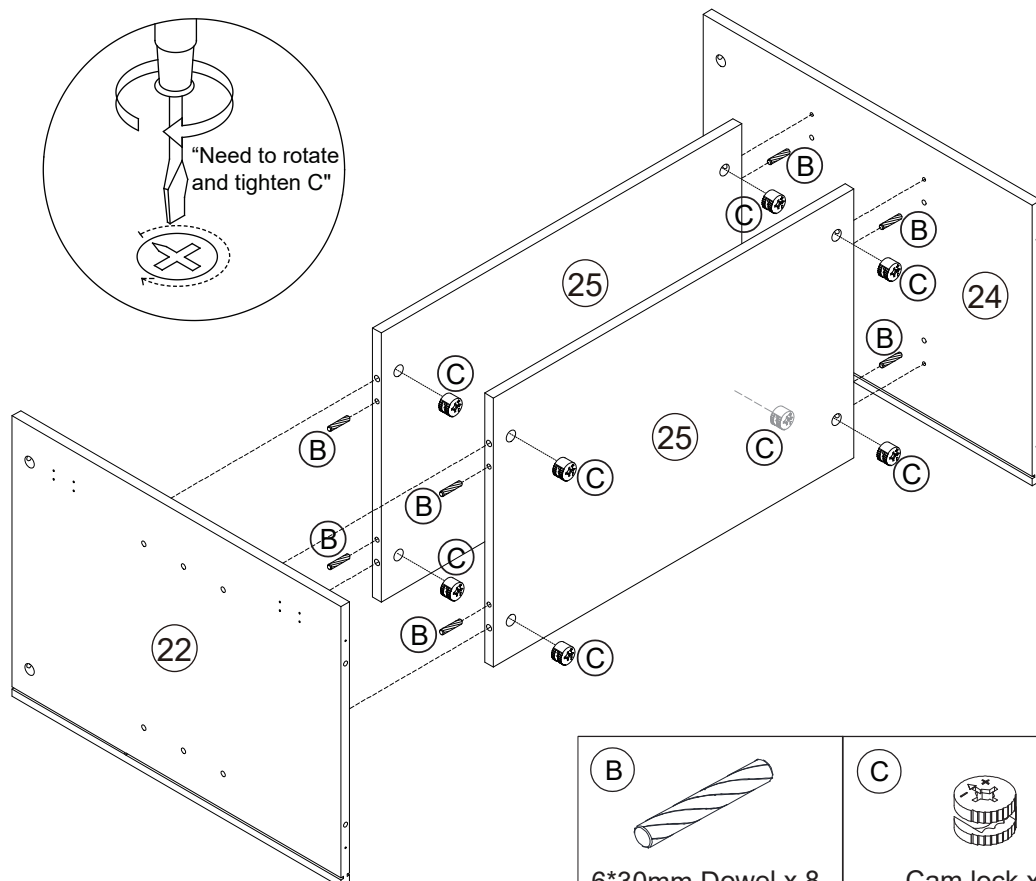


# Assembly Instructions

## Step 23

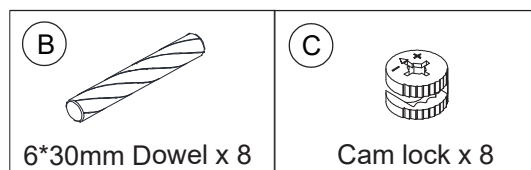
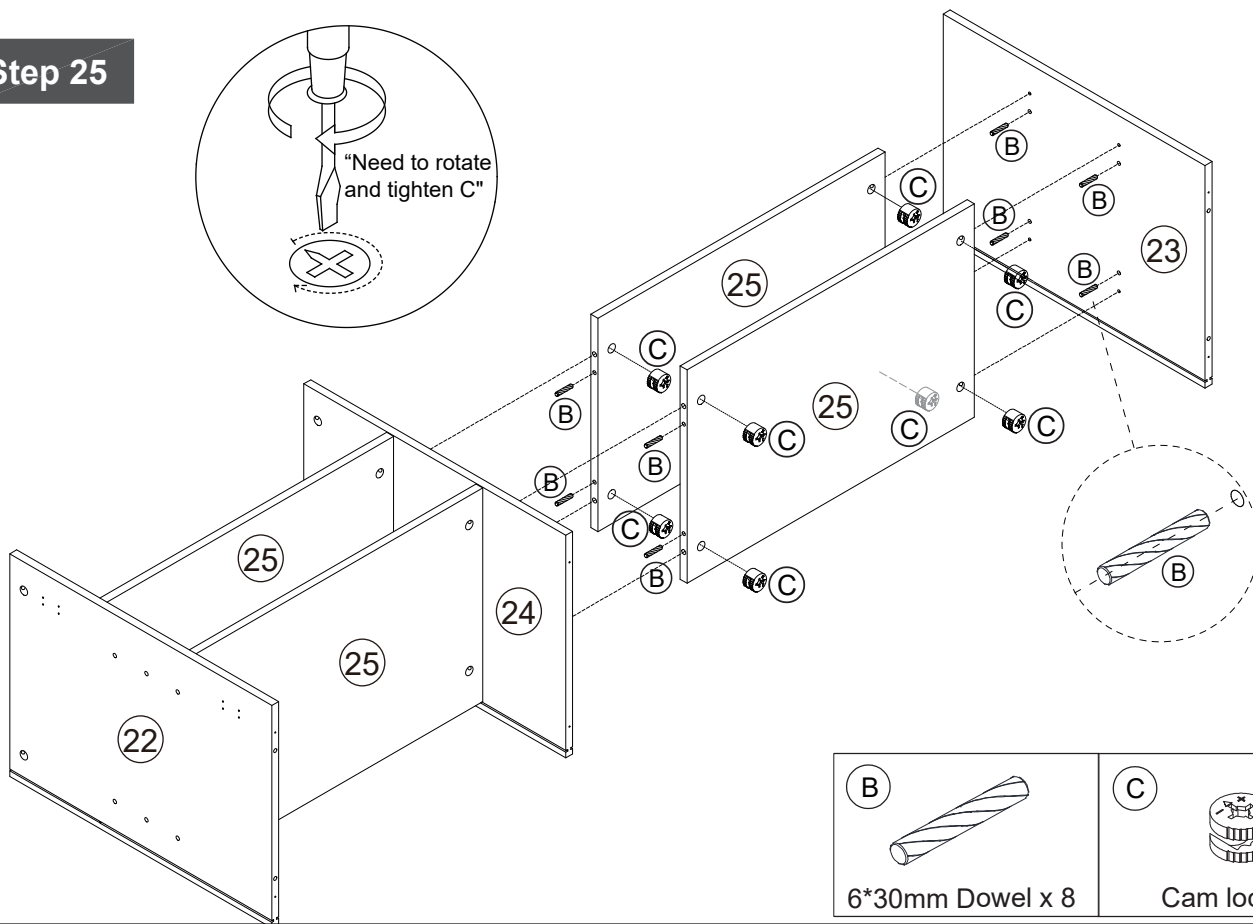
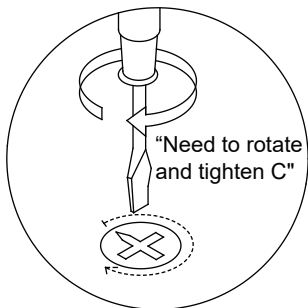


## Step 24

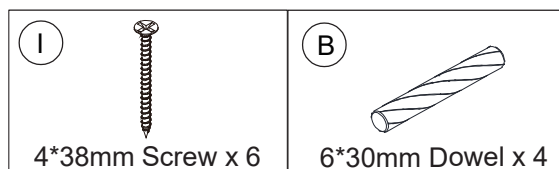
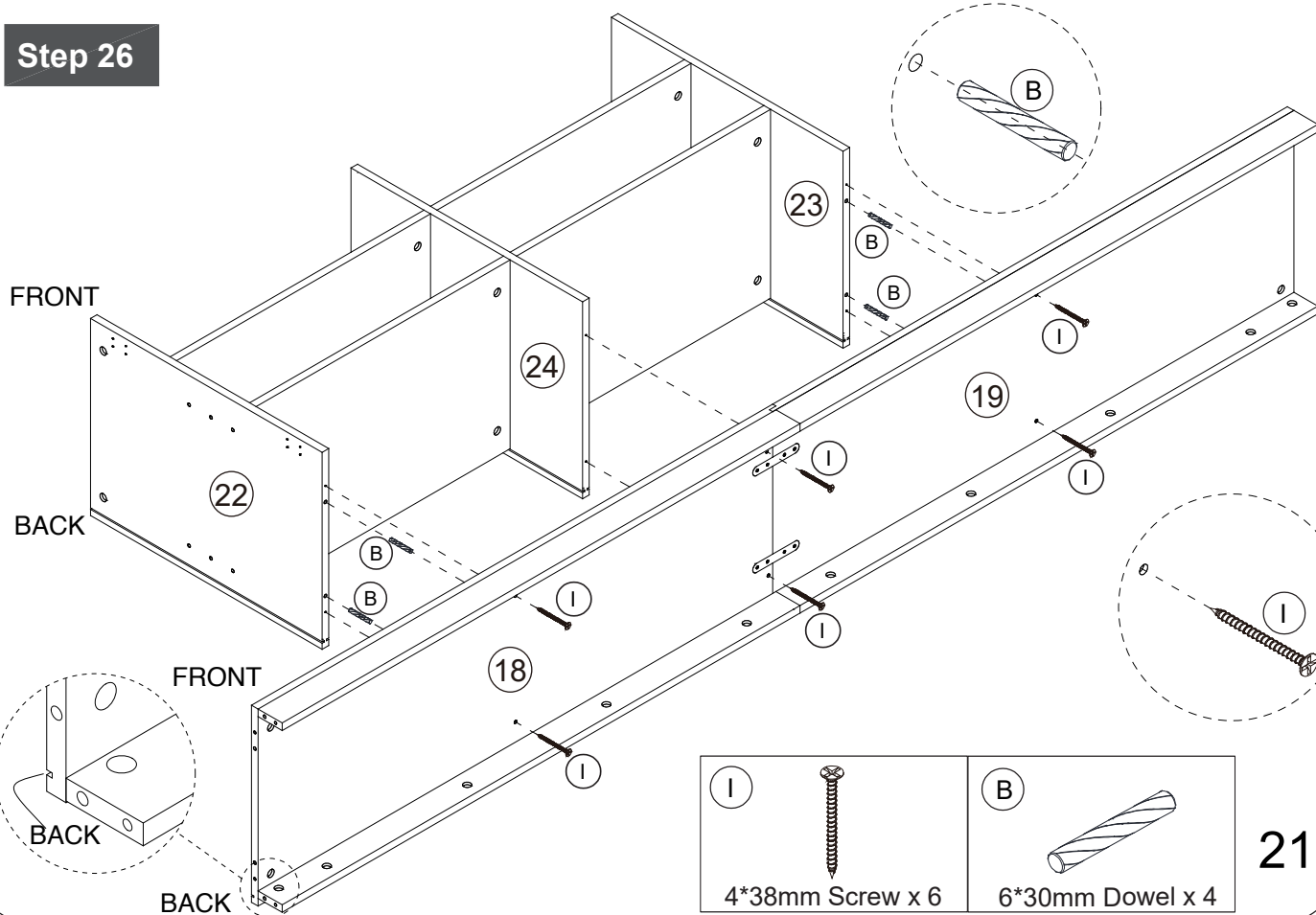
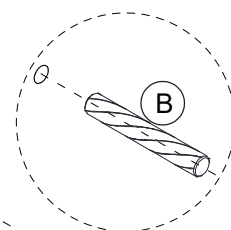


# Assembly Instructions

## Step 25

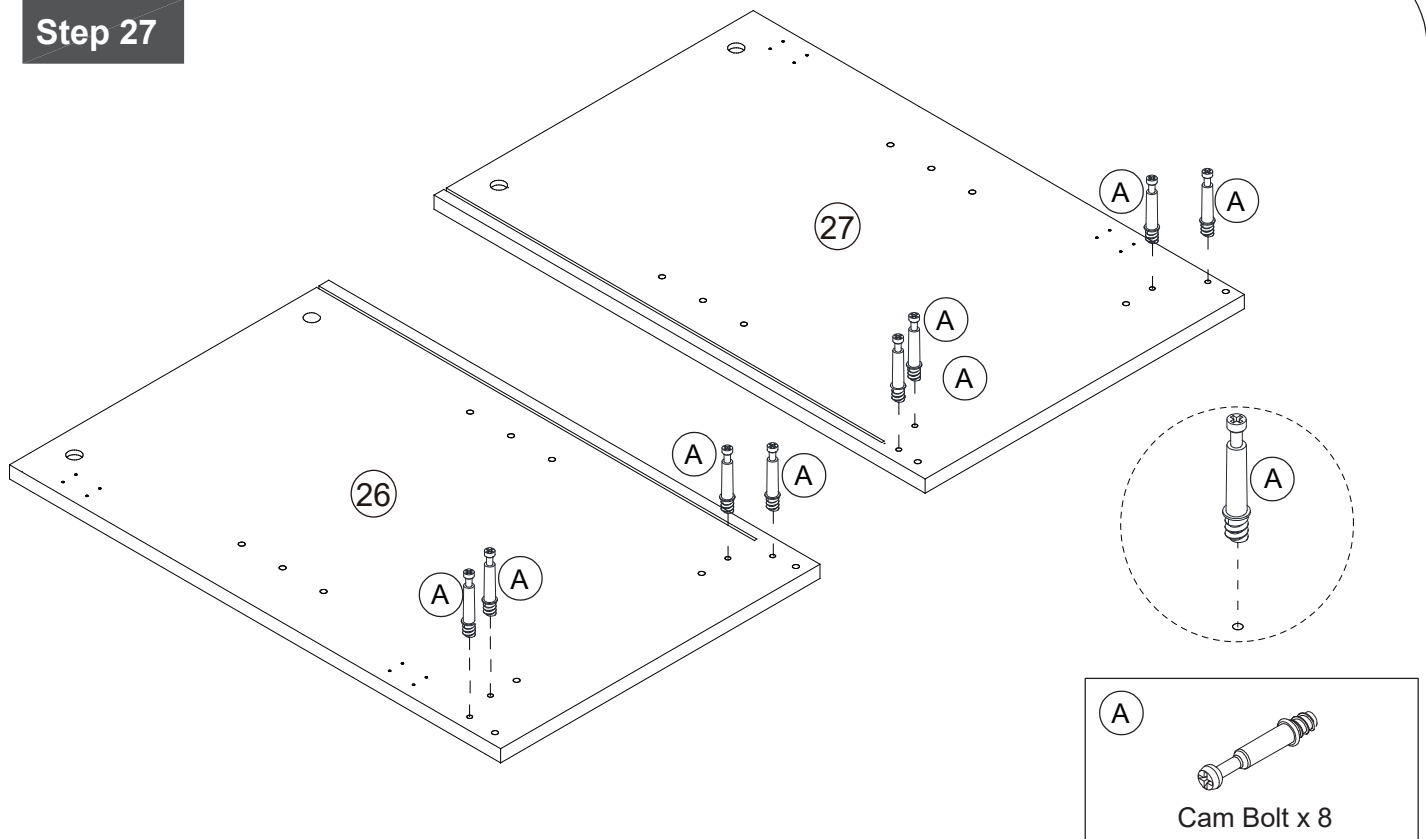


## Step 26

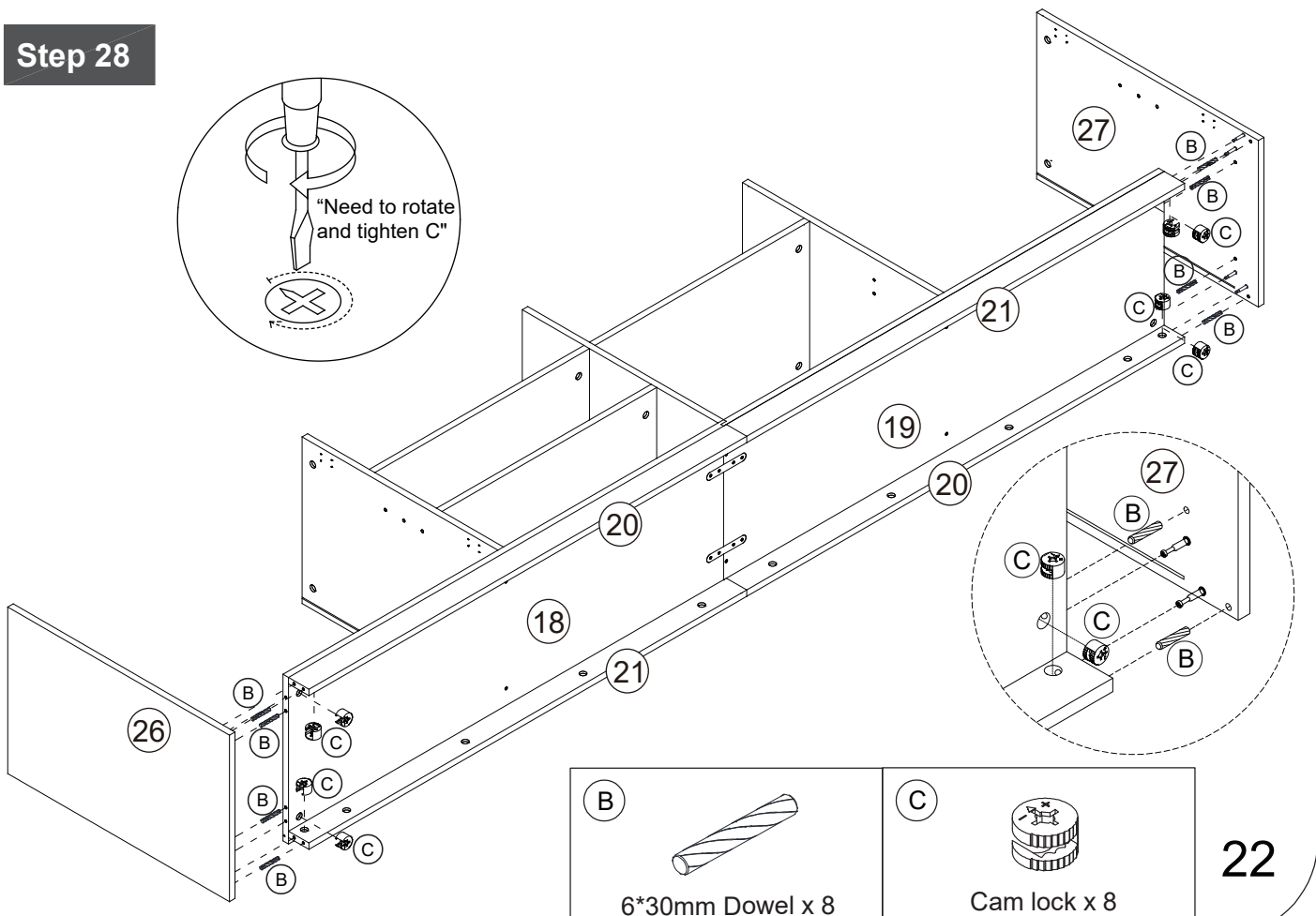


# Assembly Instructions

## Step 27

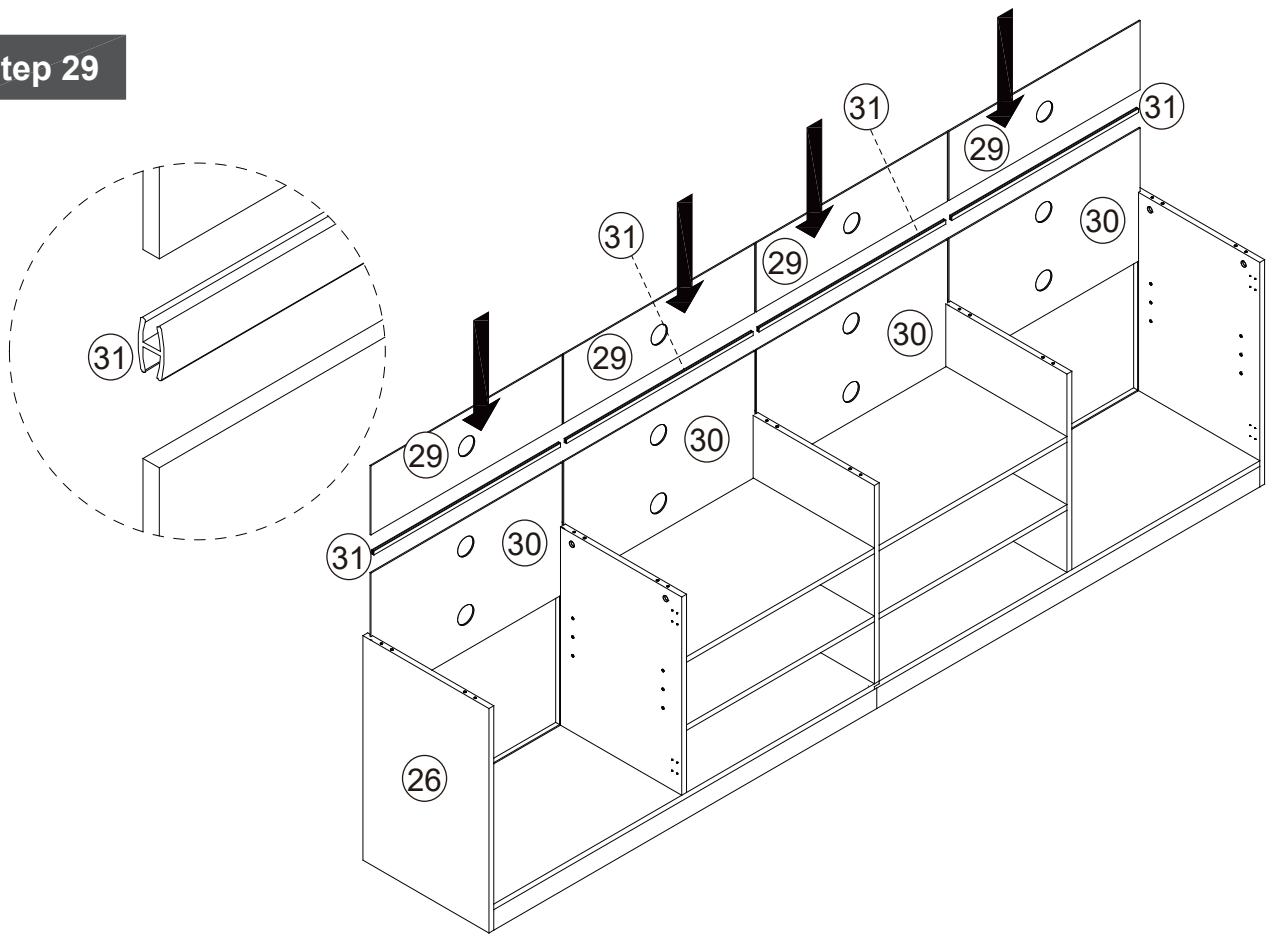


## Step 28

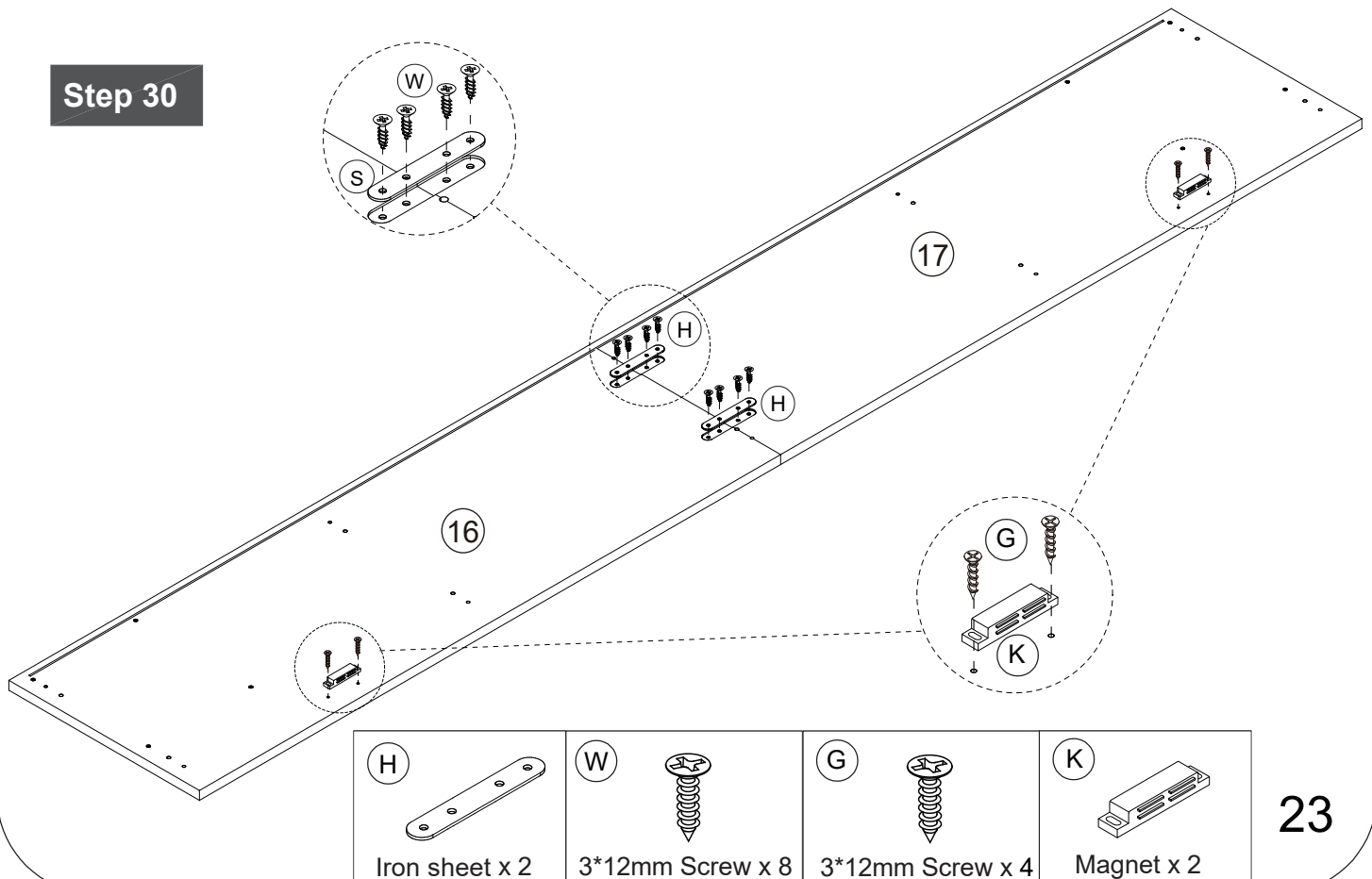


# Assembly Instructions

## Step 29



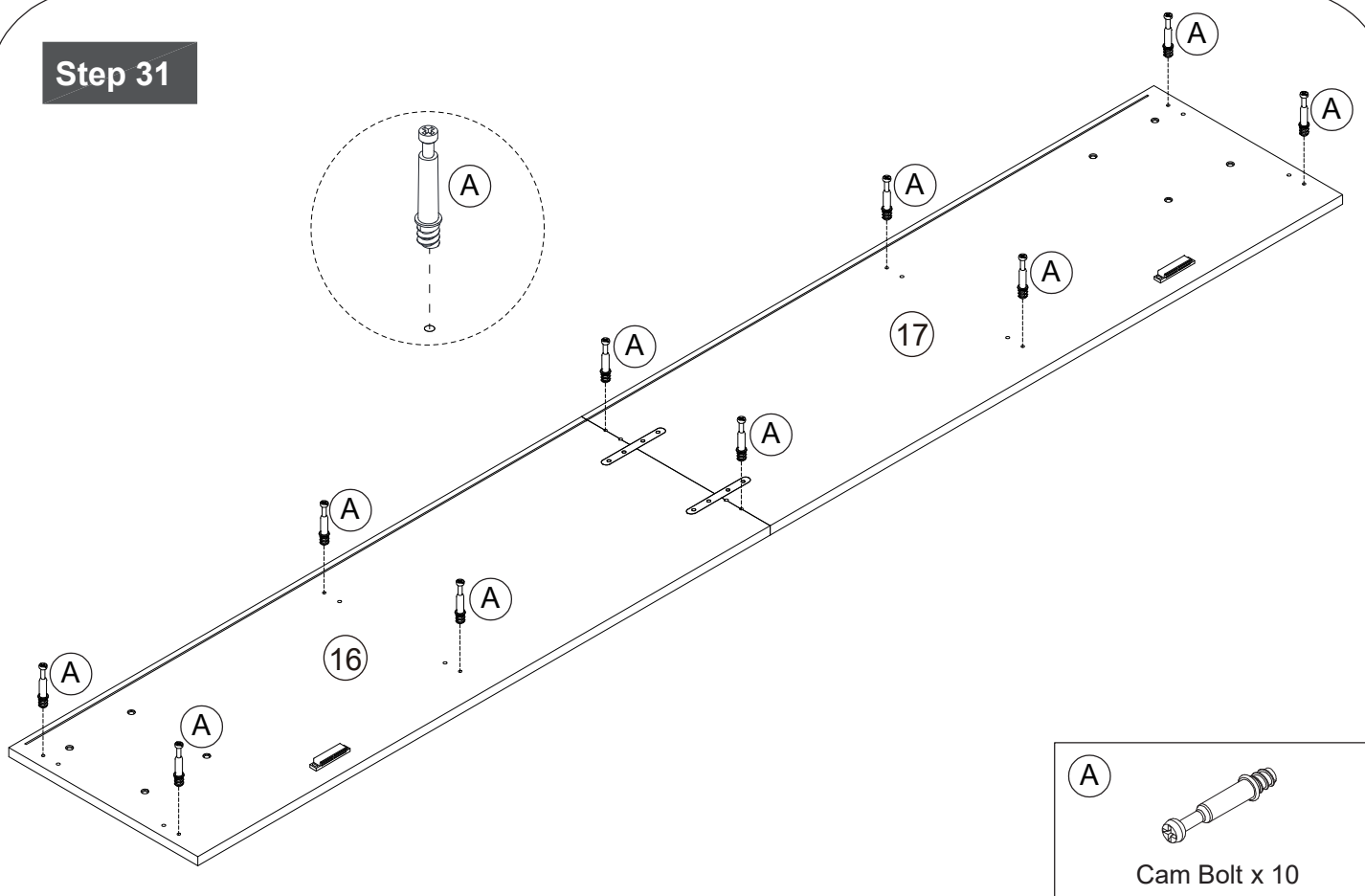
## Step 30



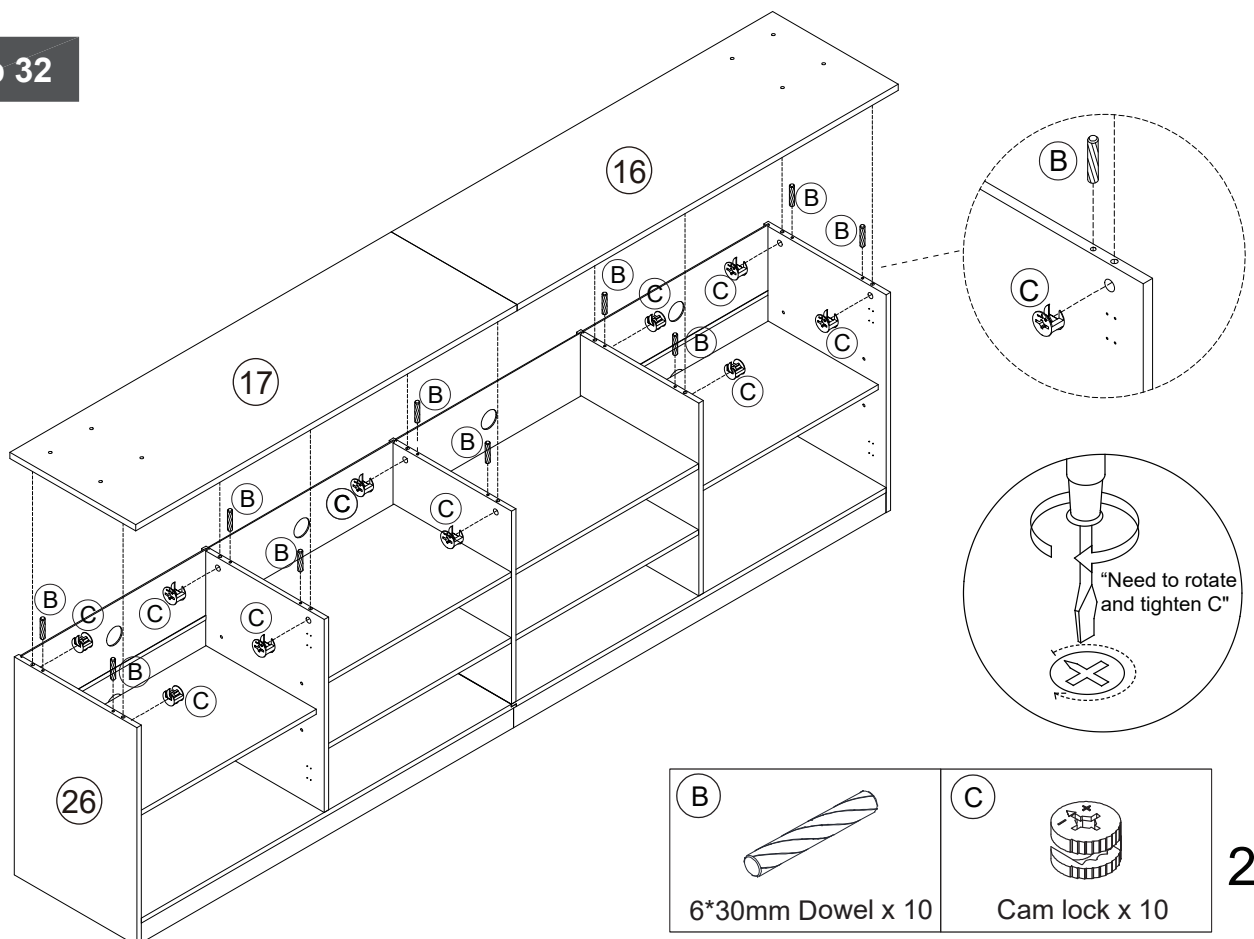


# Assembly Instructions

## Step 31

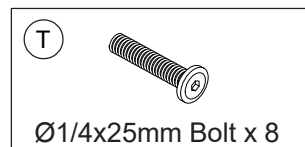
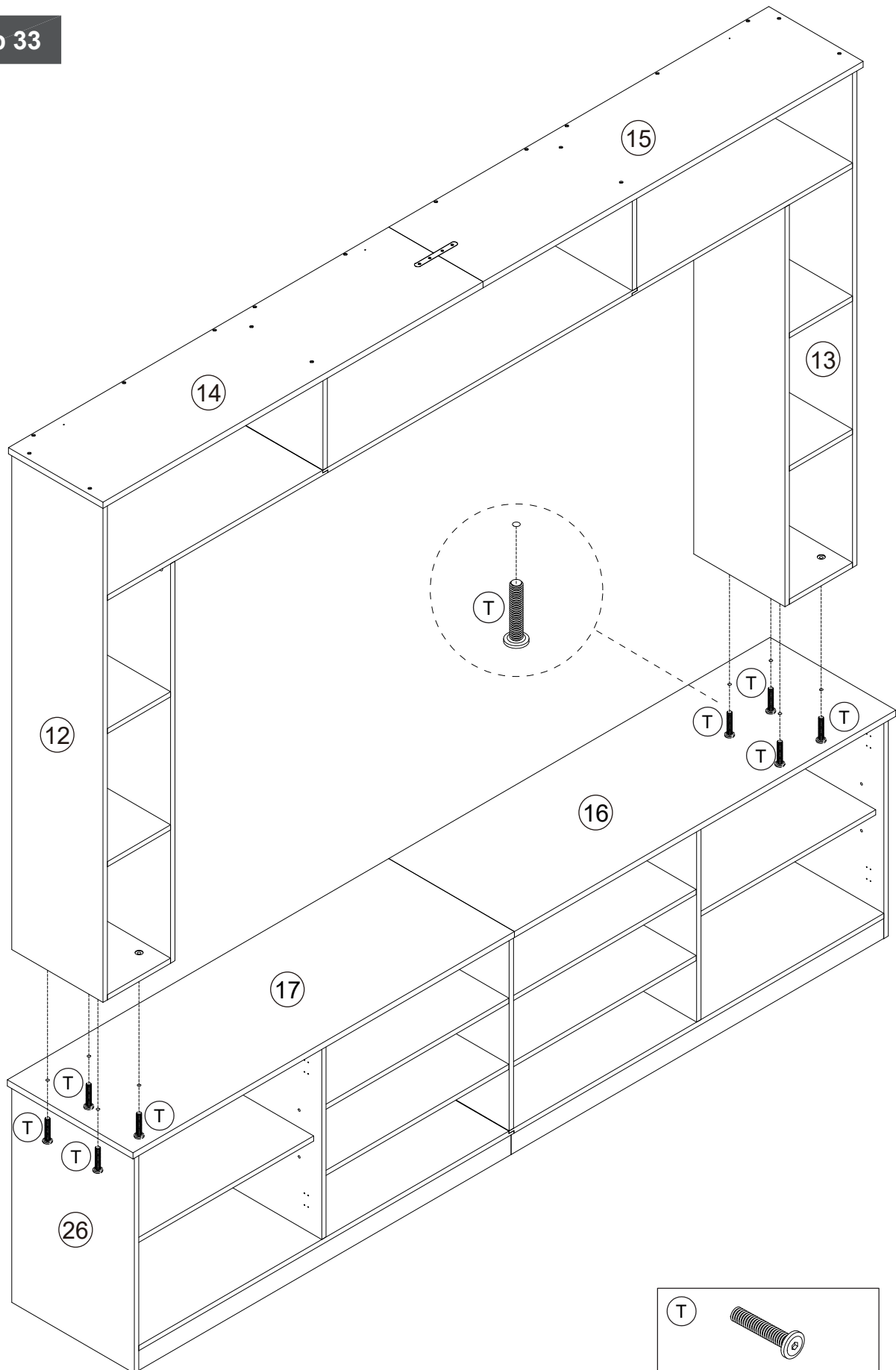


## Step 32



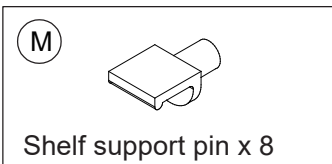
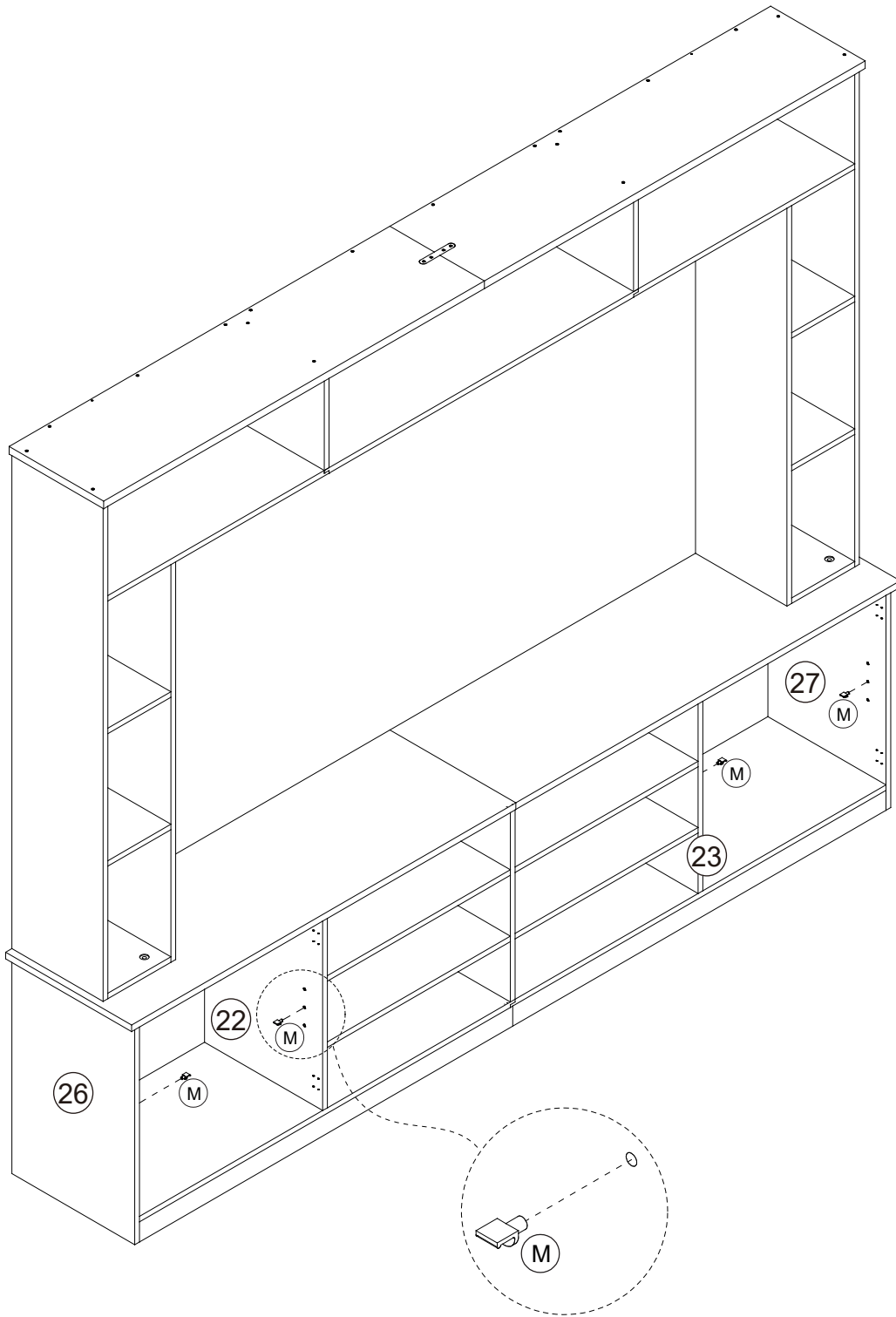
# Assembly Instructions

## Step 33



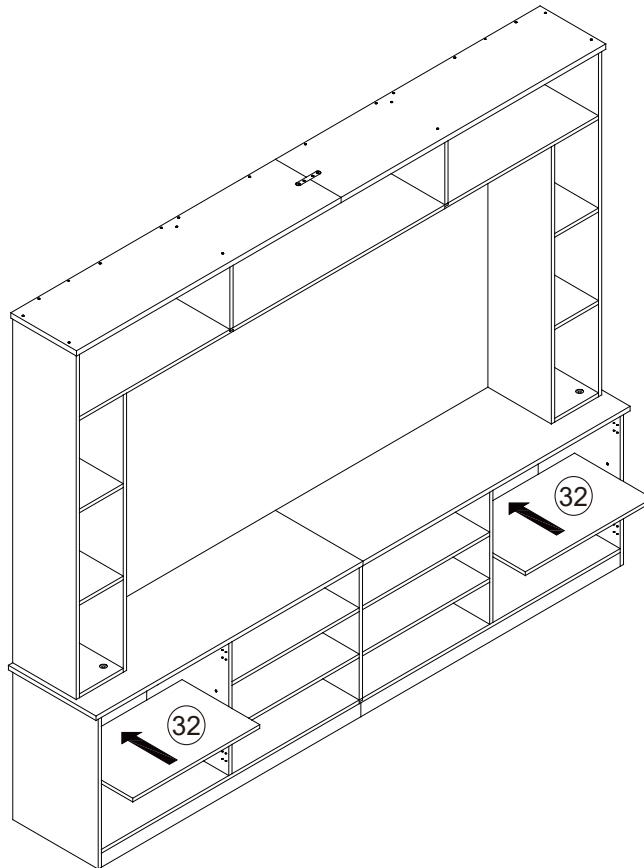
# Assembly Instructions

## Step 34



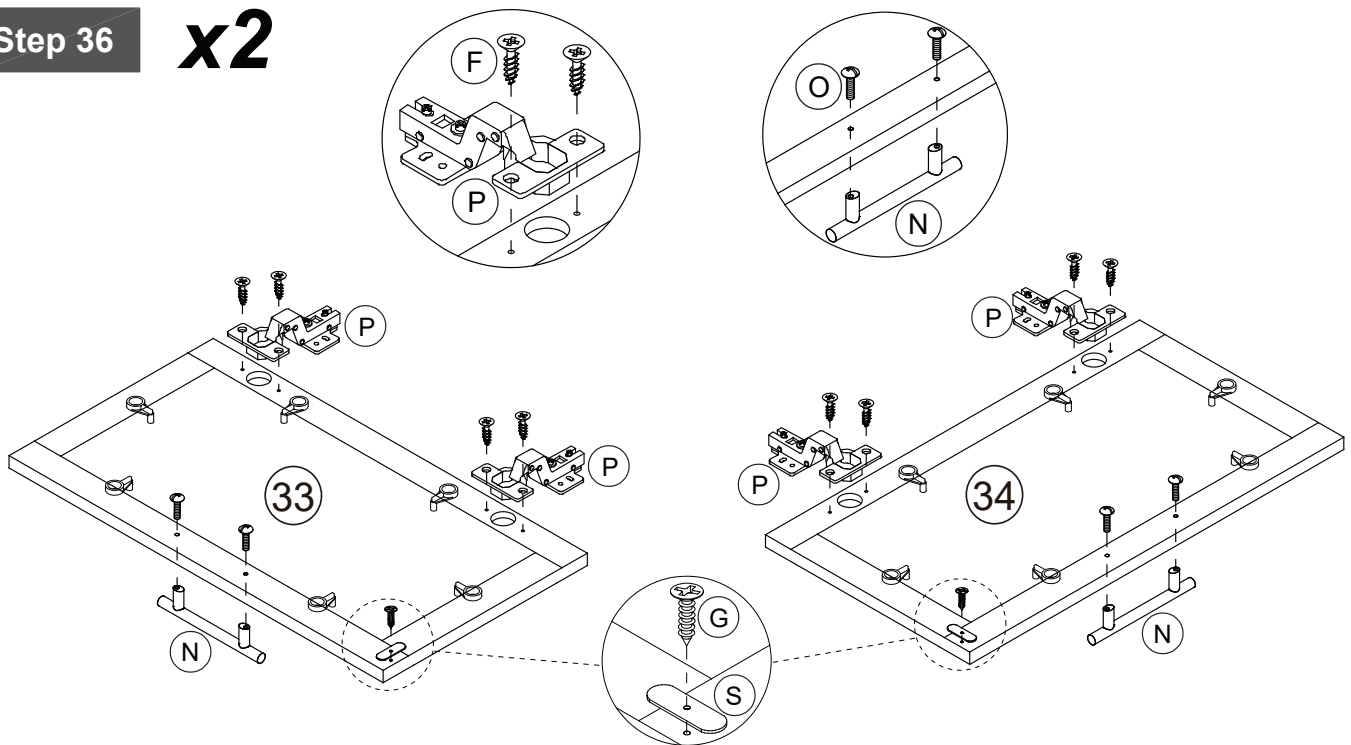
# Assembly Instructions

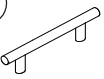
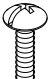




## Step 35



## Step 36

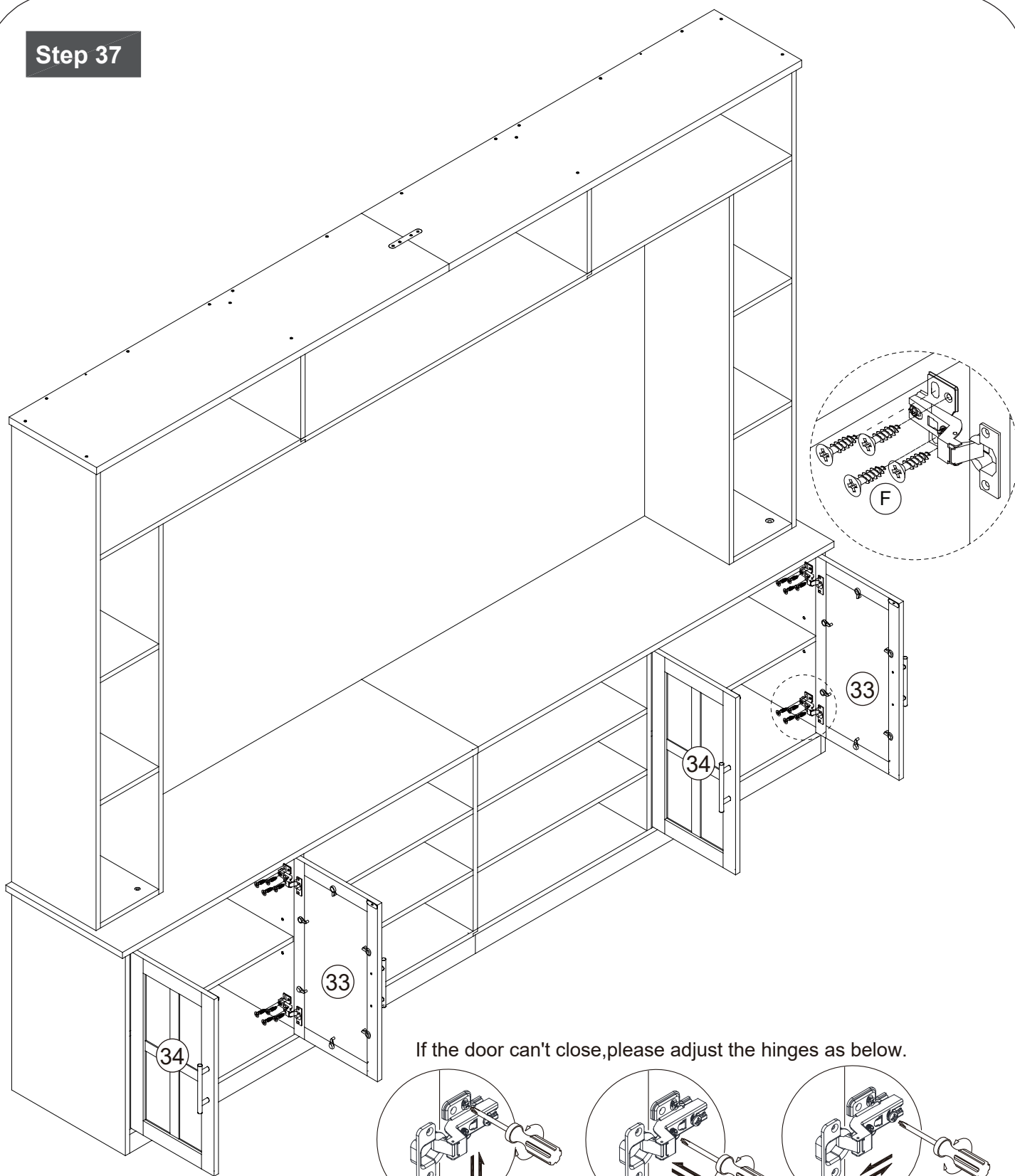
**x2**



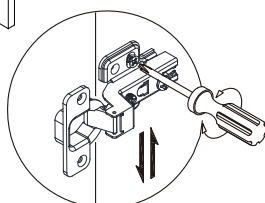
<p>(N)</p>  <p>Handle x 4</p>	<p>(O)</p>  <p>8*19mm Bolt x 8</p>	<p>(S)</p>  <p>Magnet plate x 4</p>	<p>(P)</p>  <p>Hinge x 8</p>	<p>(F)</p>  <p>7*15mm Screw x 16</p>	<p>(G)</p>  <p>6*12mm Screw x 4</p>
--	---	--	---	--	--

# Assembly Instructions

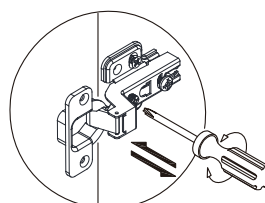
## Step 37



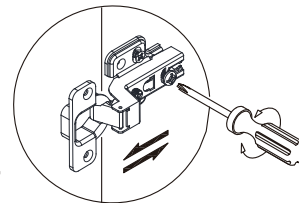
If the door can't close, please adjust the hinges as below.



This is used to adjust the door panel in the up and down direction.

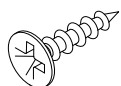


This is used to adjust the door panel in the left and right direction.



This is used to adjust the door panel in the front and rear.

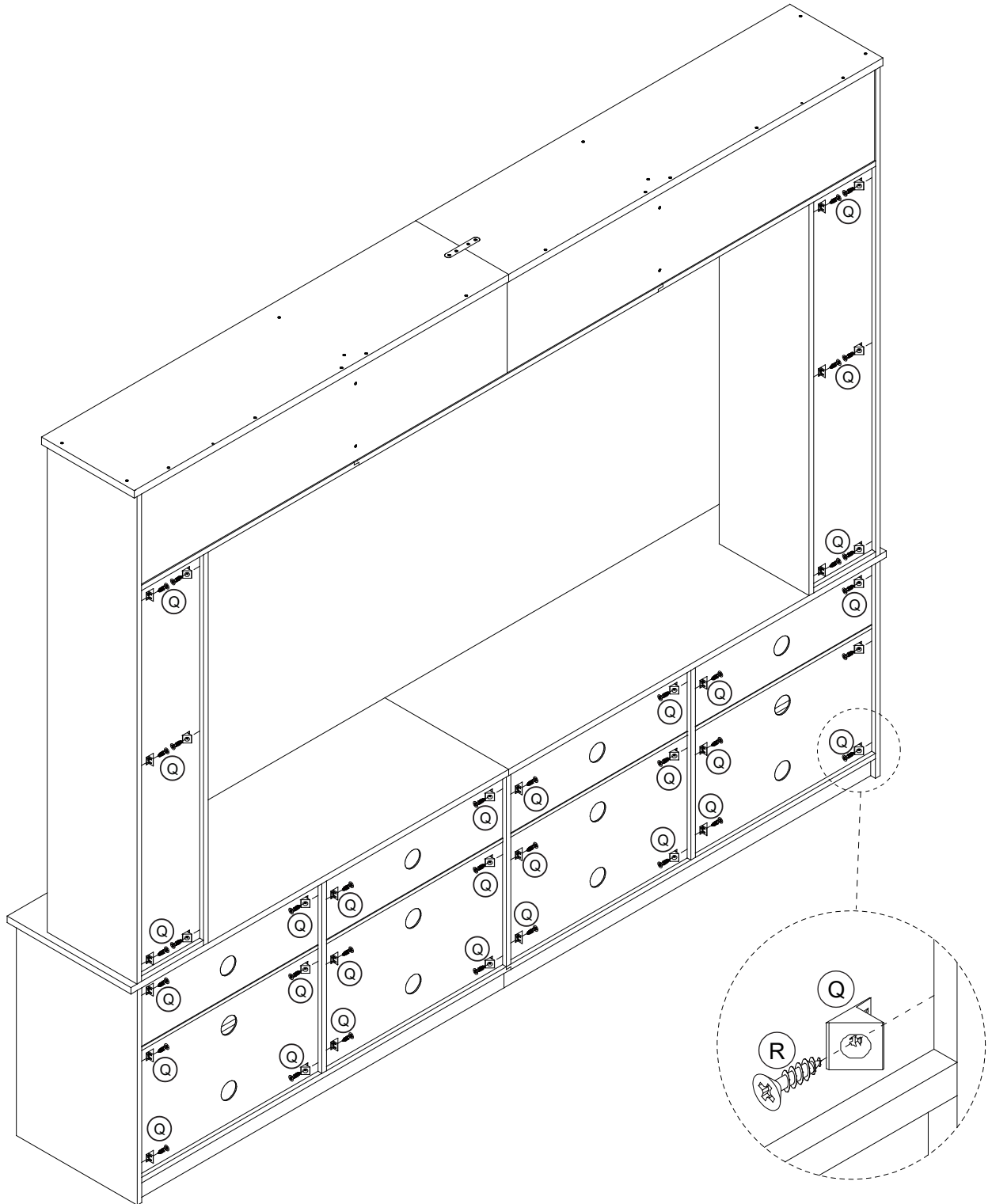
F

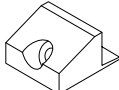



7\*15mm Screw x 32

# Assembly Instructions

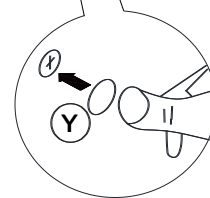
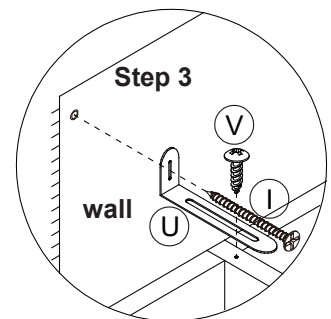
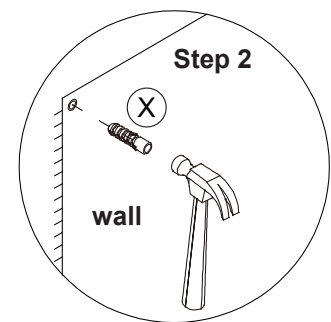
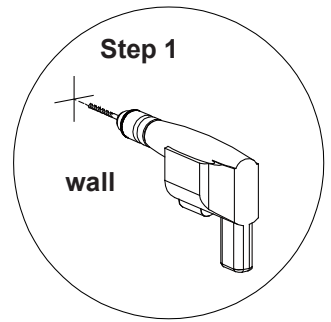
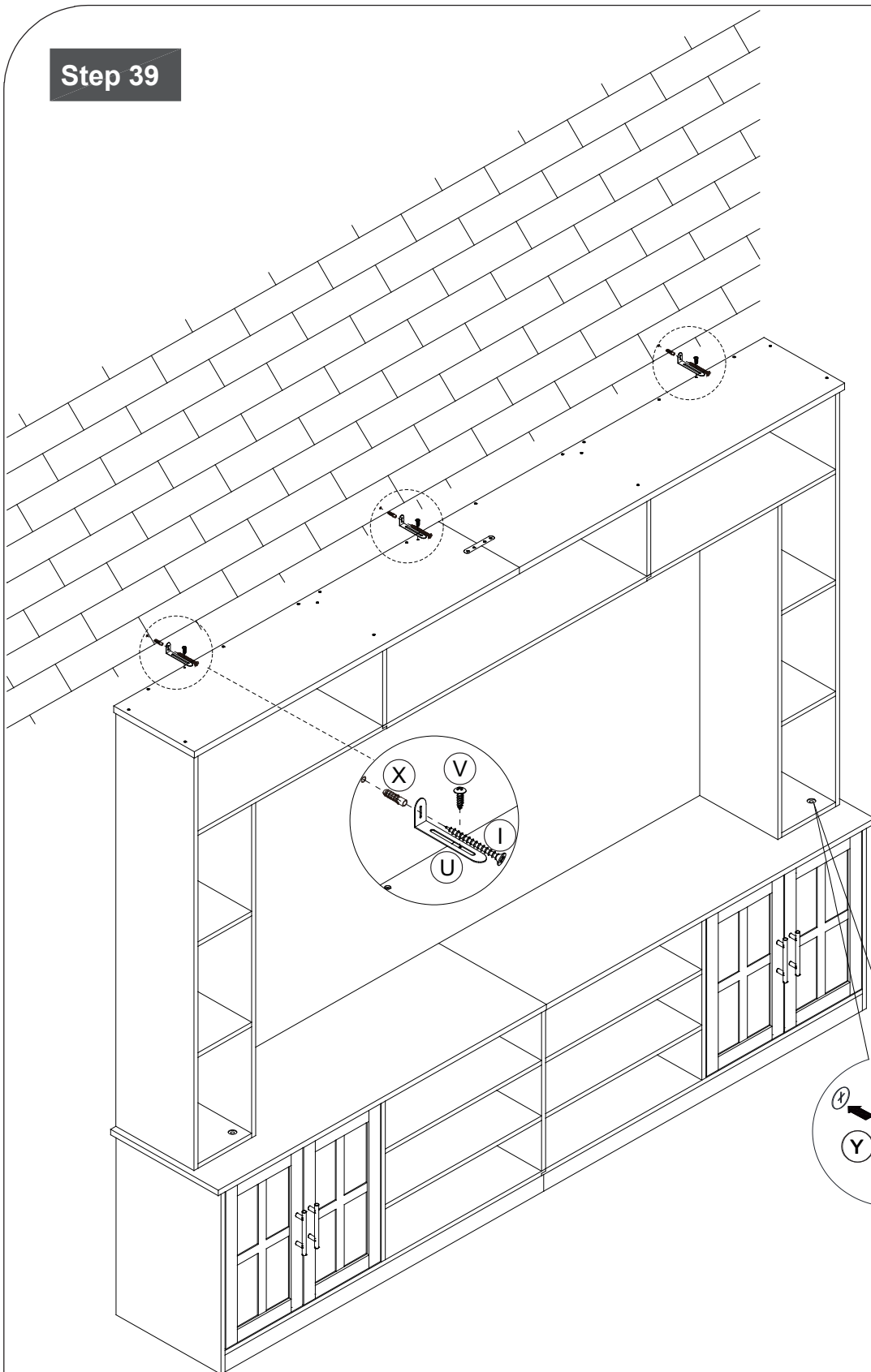
## Step 38


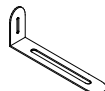


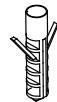


<p>Q</p> 	<p>R</p> 
<p>Conner block x 36pcs</p>	<p>3*19mm Screw x 36</p>

# Assembly Instructions

## Step 39



<p>(Y) </p> <p>Perfect fit x 46</p>	<p>(U) </p> <p>Anti-tip L Bracket x 3</p>	<p>(I) </p> <p>8*38mm Screw x 3</p>	<p>(V) </p> <p>7*15mm Screw x 3</p>	<p>(X) </p> <p>Anchor x 3</p>
--	--	--	--	--

# Assembly Instructions

Step 40

