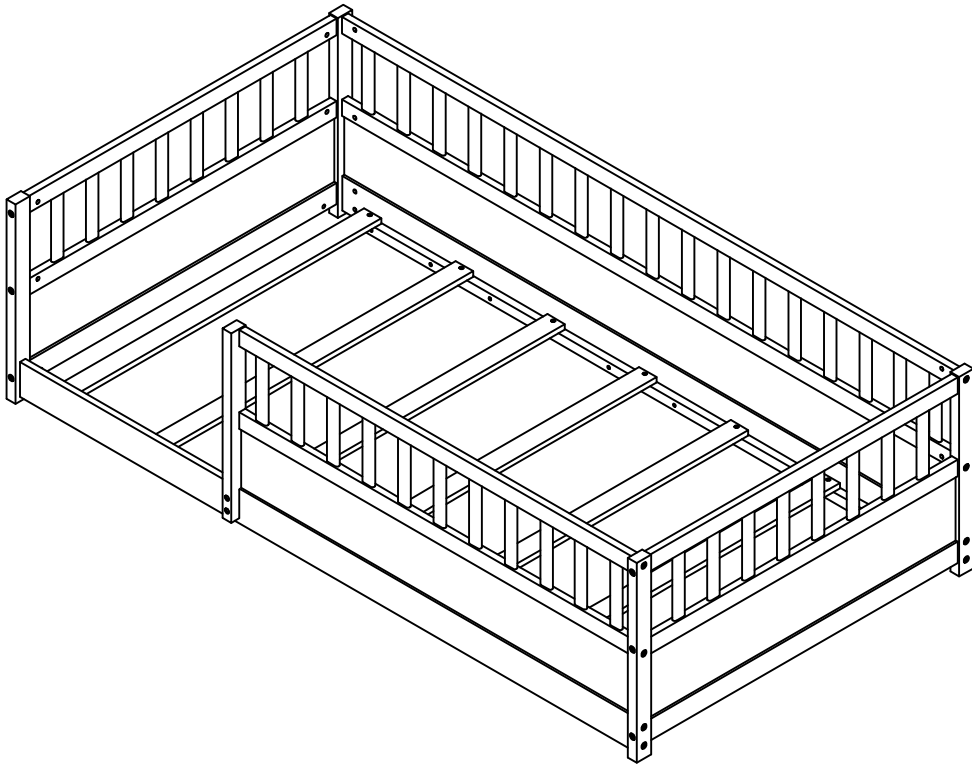


ASSEMBLY INSTRUCTIONS

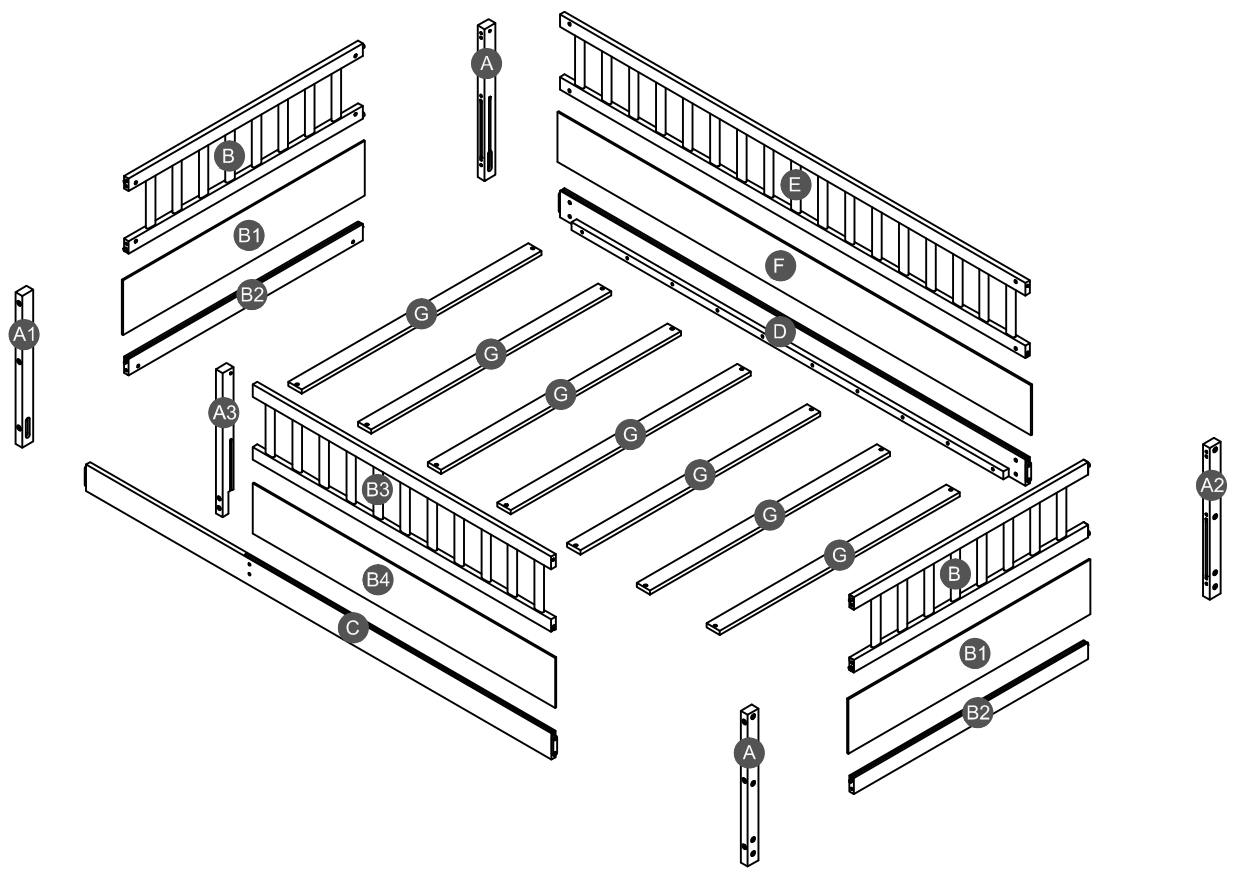
TWIN FLOOR BED



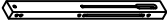
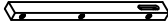
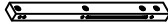
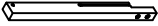
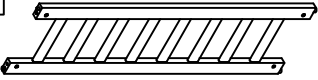


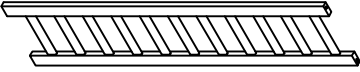
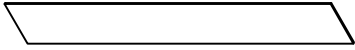
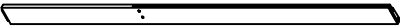


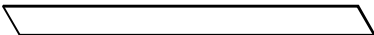

SWB028-T

Contact us: 13826959116@163.com

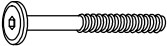
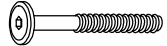


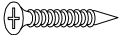

Detail View



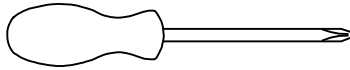
Part List

<p>A</p>  <p>Leg (left back/right front) - 2pcs</p>	<p>A1</p>  <p>Leg (left front) - 1pc</p>	<p>A2</p>  <p>Leg (right back) - 1pc</p>
<p>A3</p>  <p>Support guard rail - 1pc</p>	<p>B</p>  <p>Frame HB/FB - 2pcs</p>	<p>B1</p>  <p>Side Panel HB/FB - 2pcs</p>
<p>B2</p>  <p>Lower horizontal bar HB/FB - 2pcs</p>	<p>B3</p>  <p>Guard rail (Front) - 1pc</p>	<p>B4</p>  <p>Side Panel (Front) - 1pc</p>
<p>C</p>  <p>Side rail (front) - 1pc</p>	<p>D</p>  <p>Side rail (back) - 1pc</p>	<p>E</p>  <p>Guard rail (back) - 1pc</p>
<p>F</p>  <p>Side Panel (back) - 1pc</p>	<p>G</p>  <p>Slat - 7pcs</p>	

Hardware List

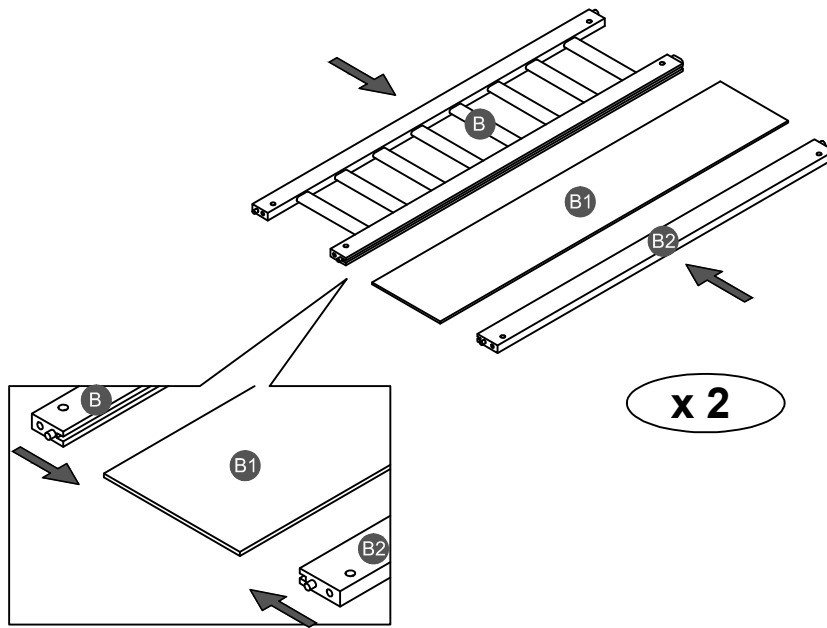
1  (Ø15)1/4"*80mm Hex-Head bolts (26pcs)	2  (Ø12)1/4"*70mm Hex-Head bolts (2pcs)	3  (Ø12)1/4"*35mm Hex-Head bolts (2pcs)
4  1/4"*15 (9.5mm) Horizontal-Hole bolts(28pcs)	5  Ø4*30mm Wood screws (14pcs)	6  (1/4")4.5*58mm Allen key (1pc)

ASSEMBLY TOOLS REQUIRED (NOT INCLUDED)





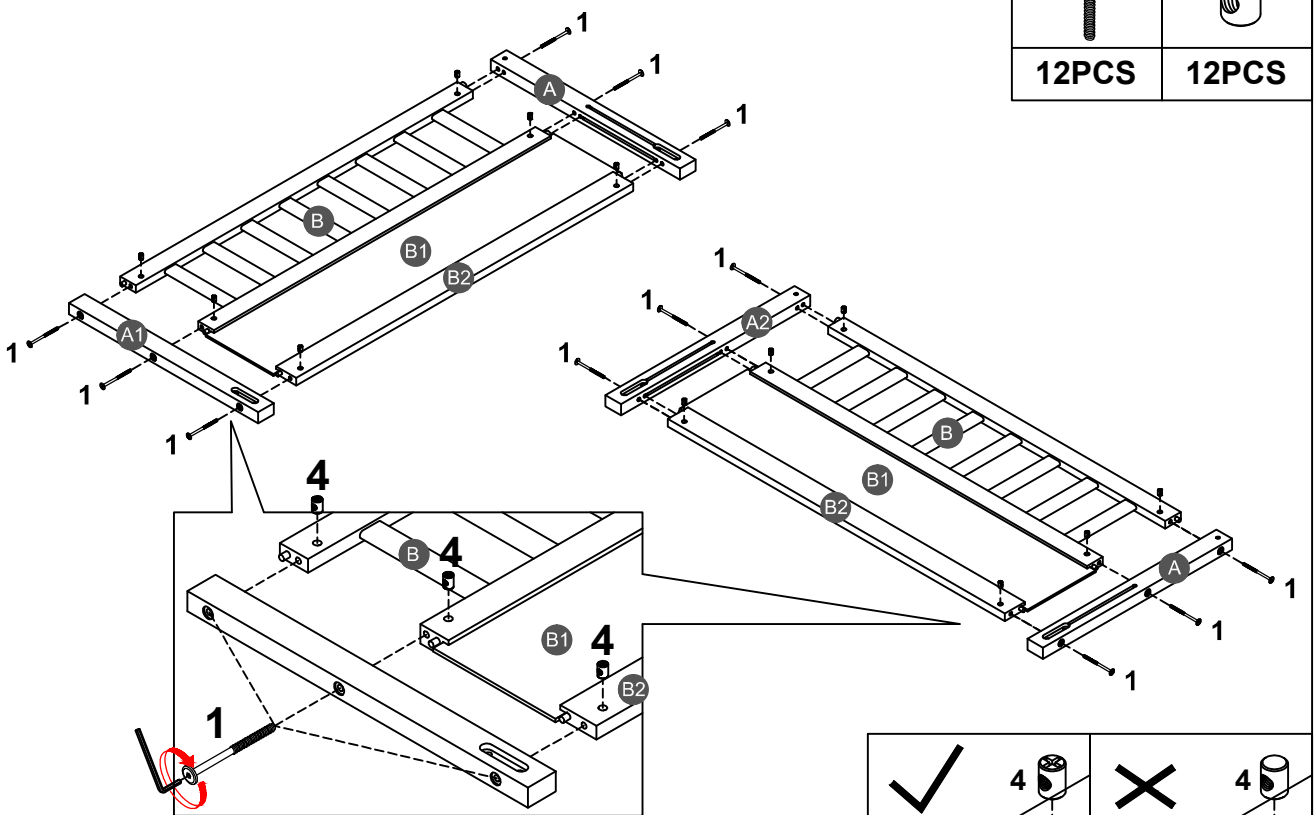
PLEASE BE CAREFUL DO NOT DAMAGE THE HOLE POSITION WHEN YOU USE POWER TOOLS !

STEP 1:



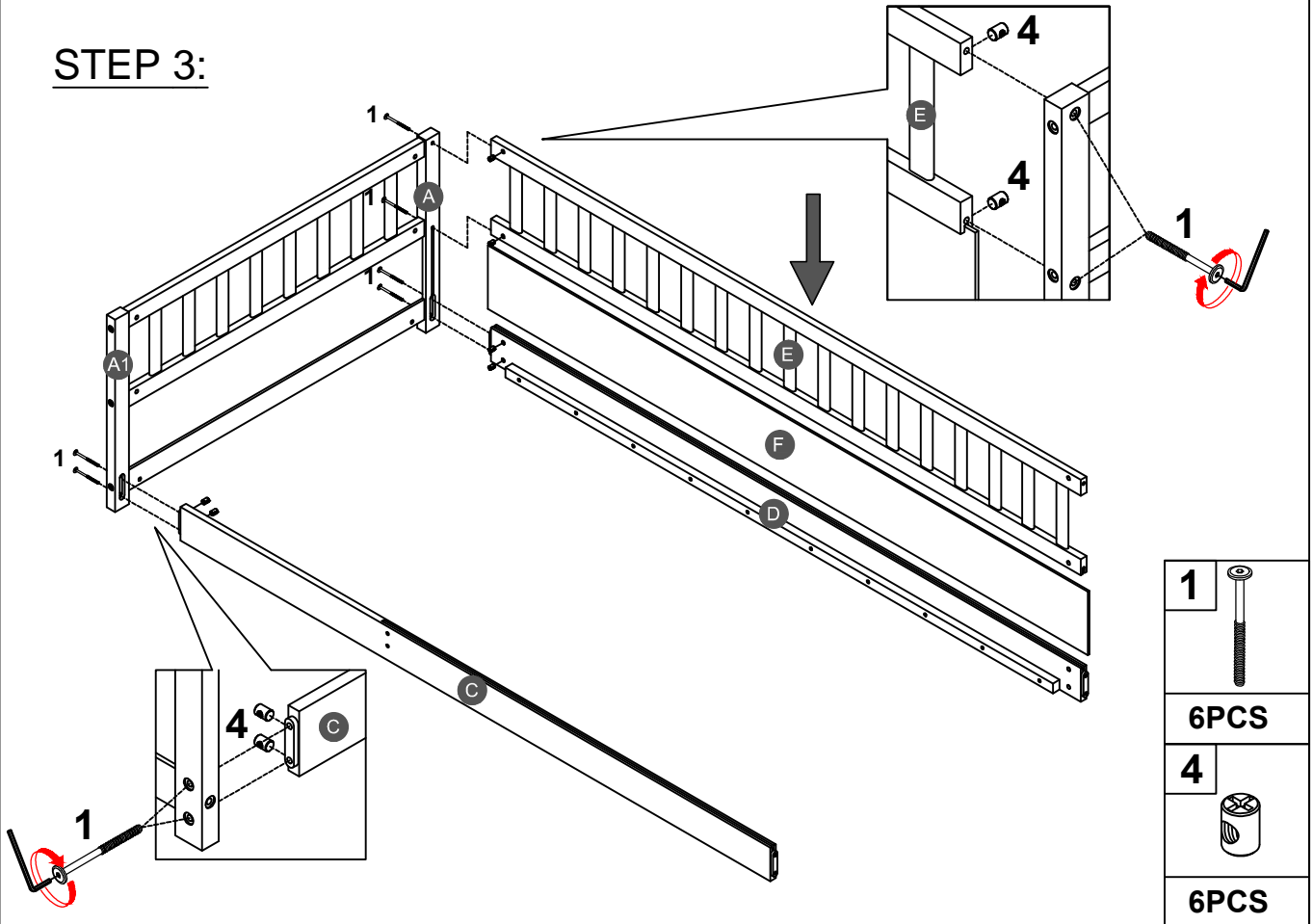
STEP 2:

1		4	
12PCS		12PCS	

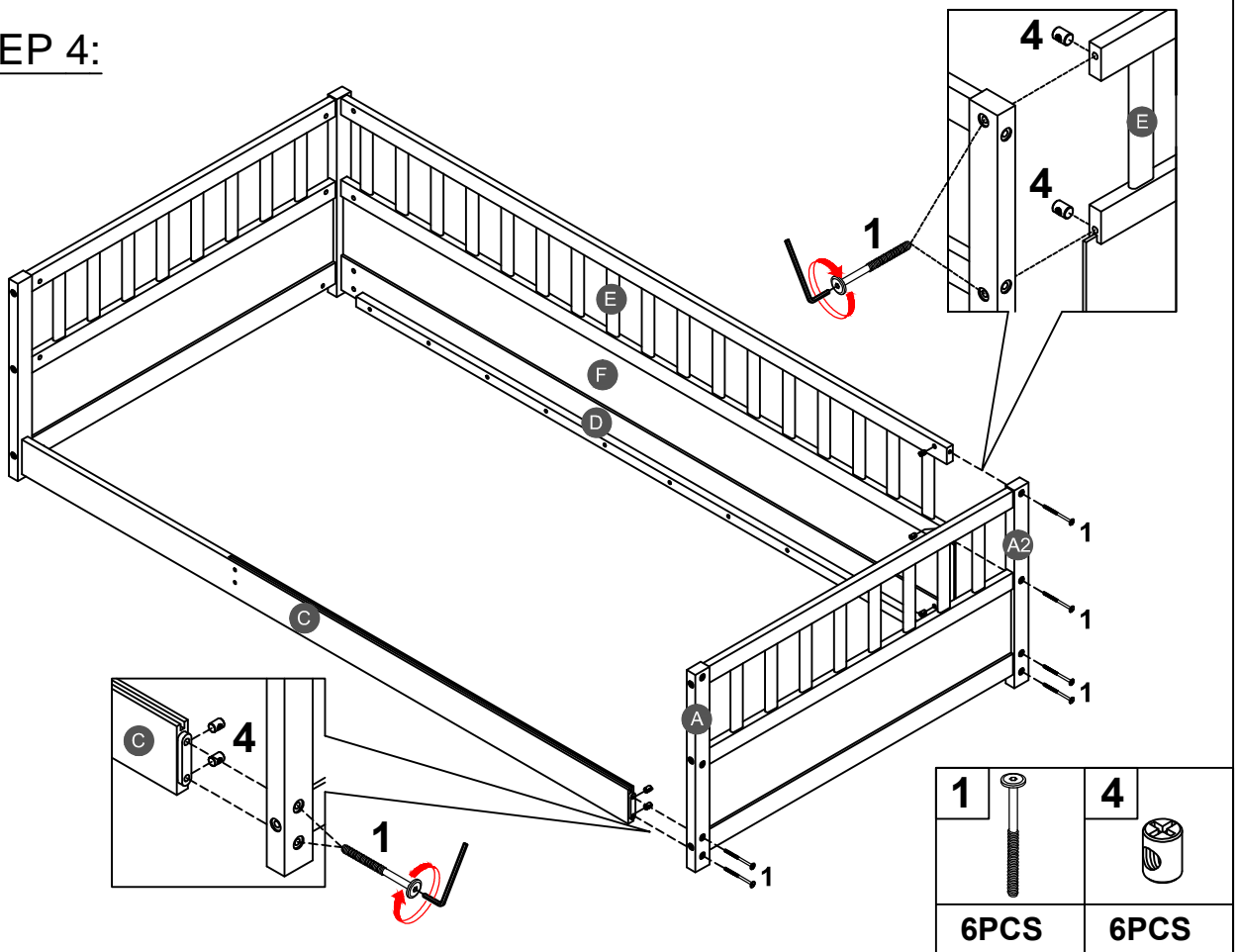


Note: Part 4 will face up with the "x" mark on it, otherwise it cannot be tightened



STEP 3:

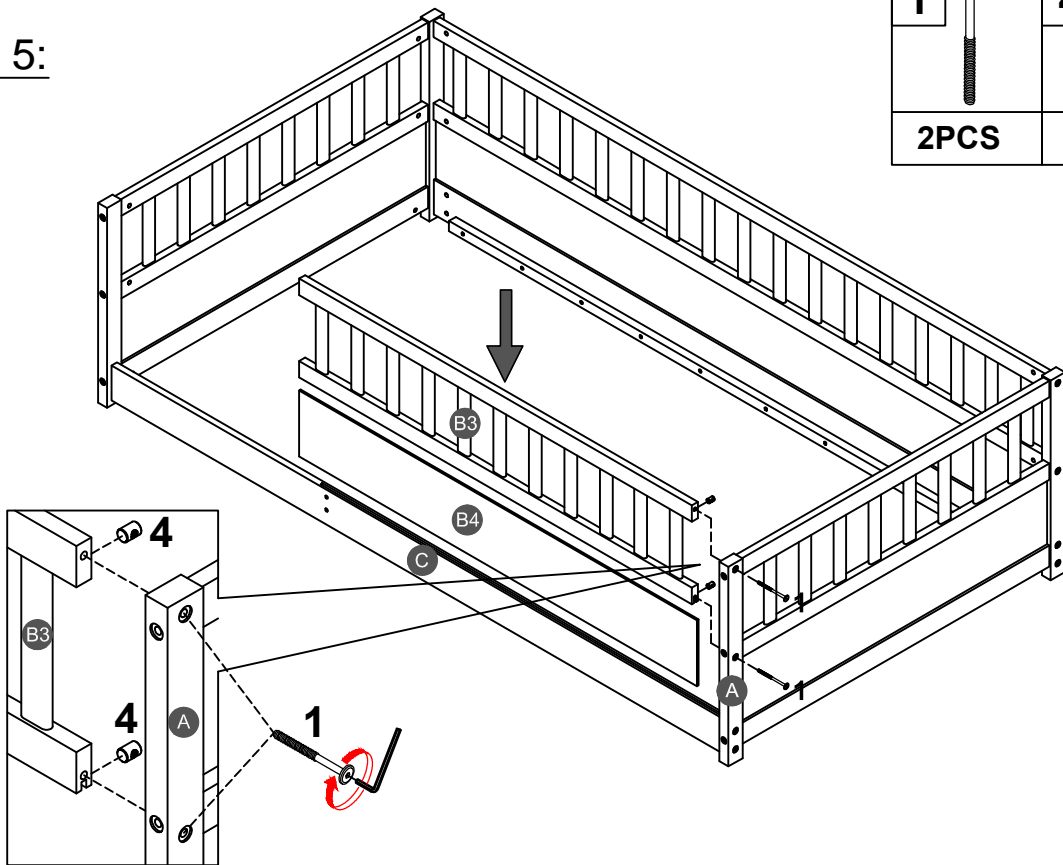


STEP 4:






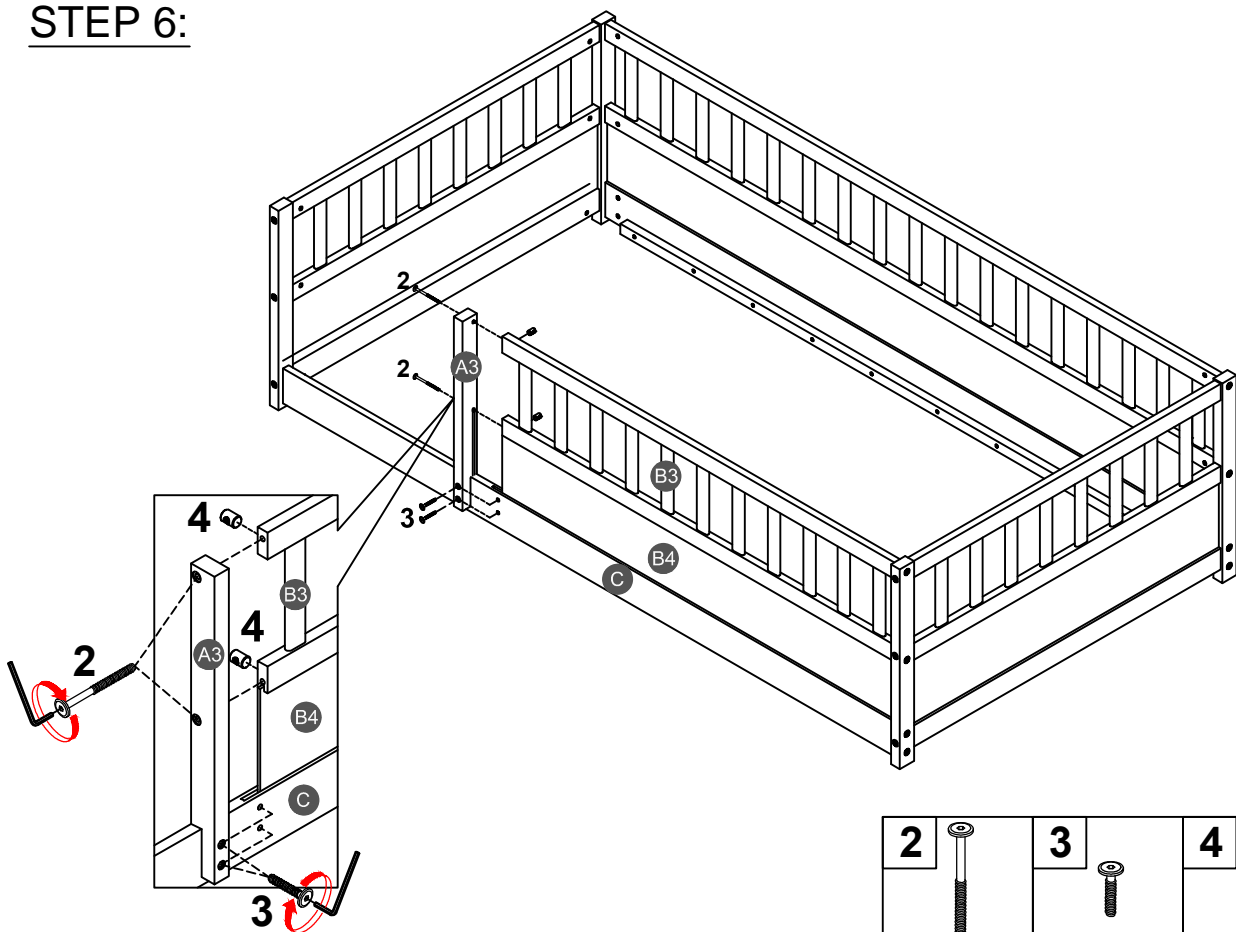
STEP 5:

1		4	
	2PCS		2PCS



STEP 6:

2		3		4	
	2PCS		2PCS		2PCS

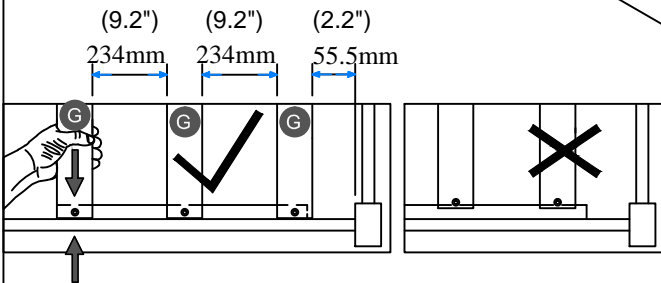
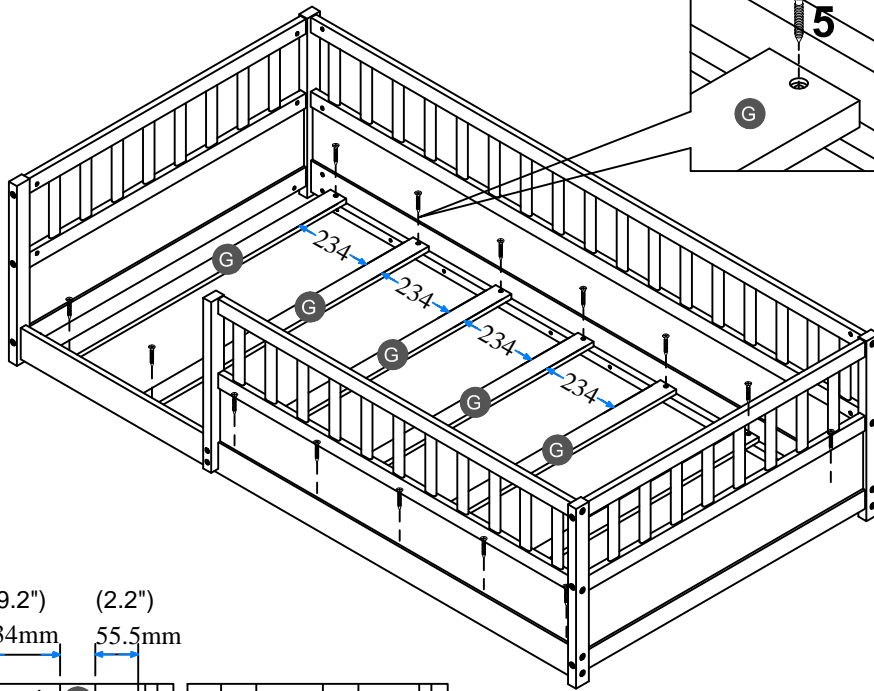


STEP 7:

5



14PCS



NOTE: Please make sure the bed slats close to the side rail before locking the screws to avoid breakage. This step is required for both the left and right sides. Moreover, please do not lock the screws of the bed slats at the outermost edge to avoid damaging.

