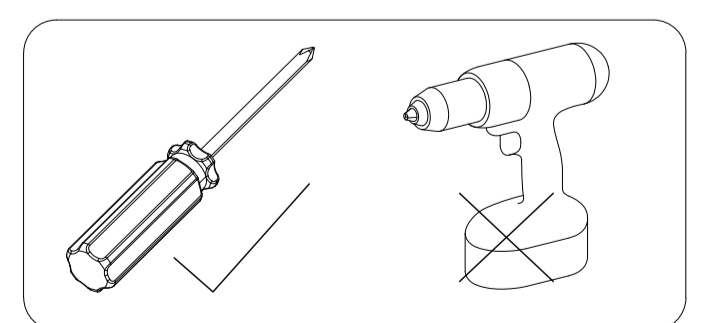
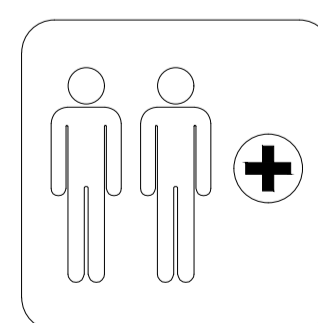


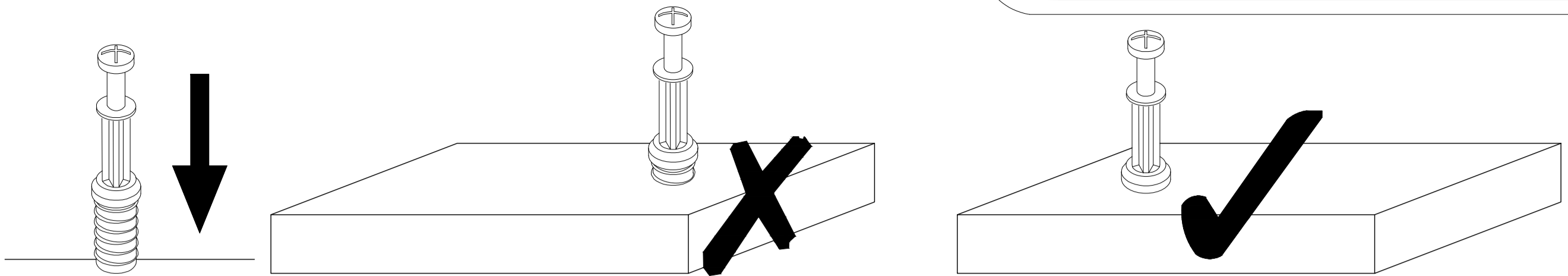
# Kitchen Cart

## SKU N707P360278

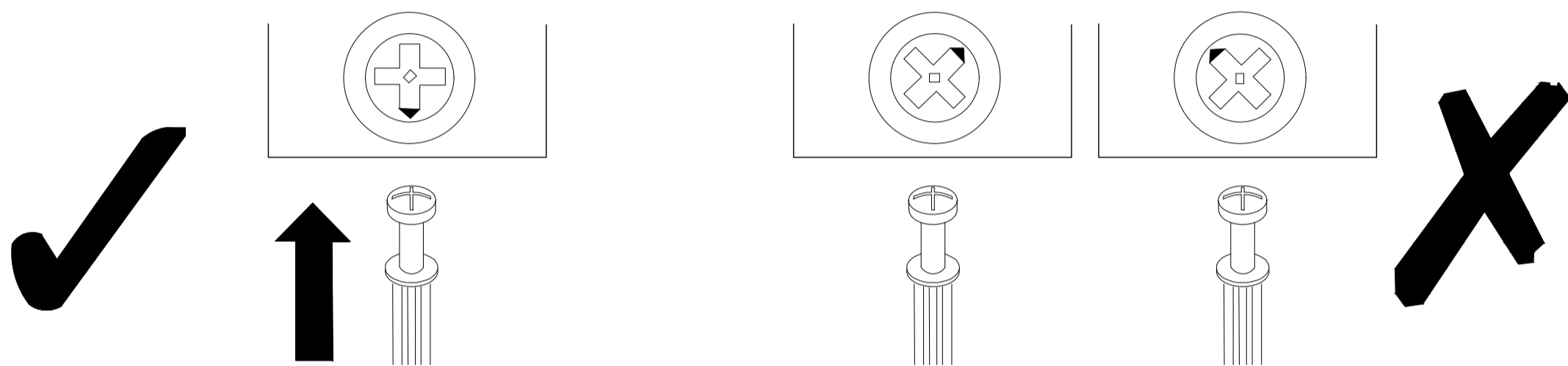
Assembly instructions-Please keep for future reference



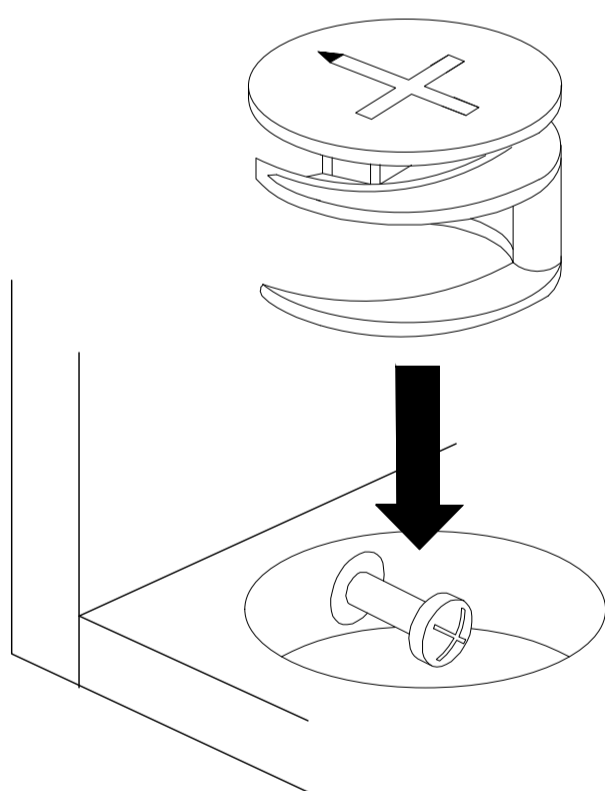
Important-Please read these instructions fully before starting assembly



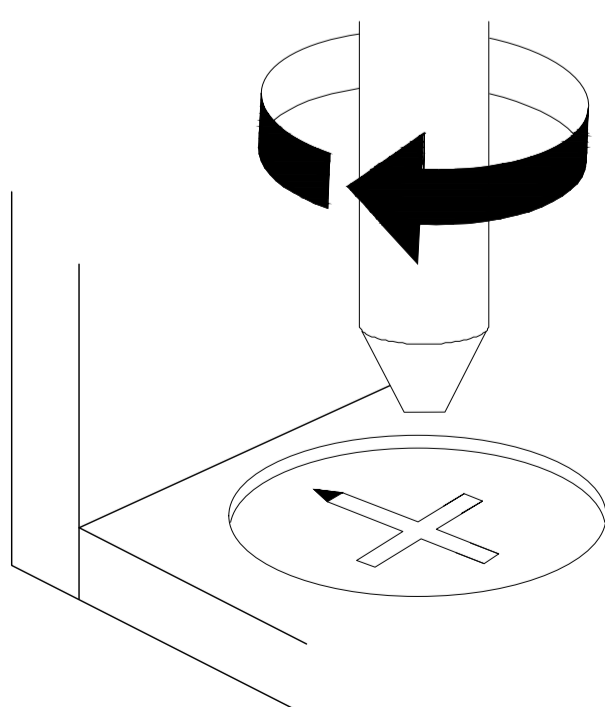
**QUICKFIT:** Tighten quickfit until shoulder is flush with panel. Do not overtighten or undertighten.



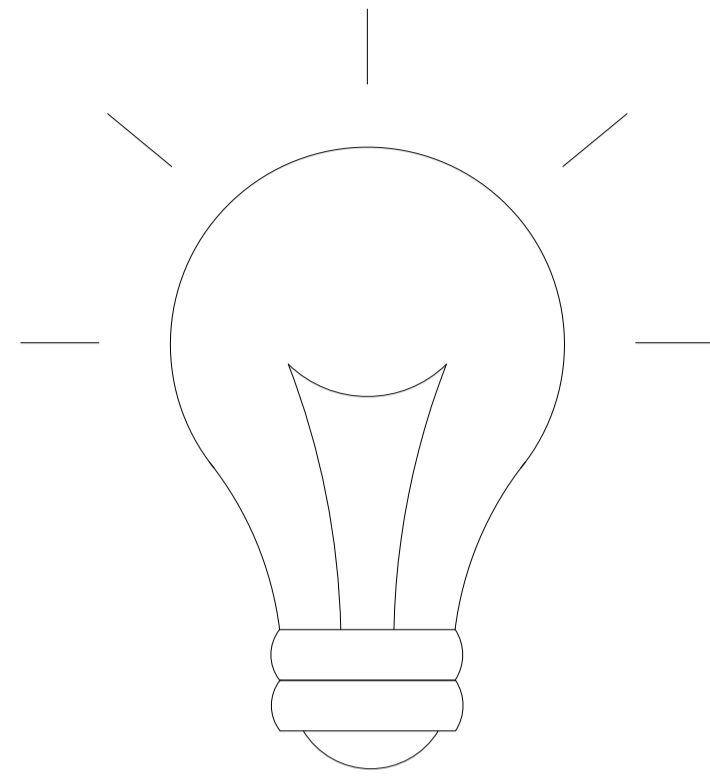
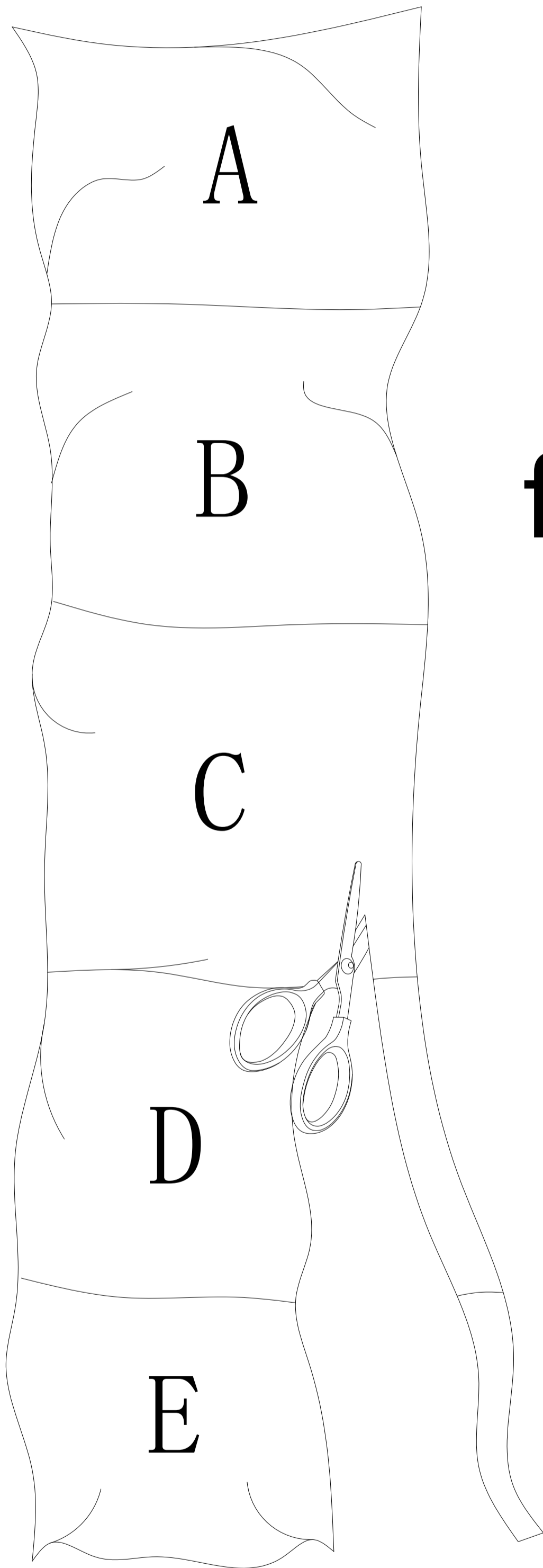
**LOCK:** When fitting cam lock, ensure starting position is correct before you insert connecting quickfit.



Quickfit head should be in the centre of the cam lock when the two panels are joined. Cam lock should be inserted before quickfit.



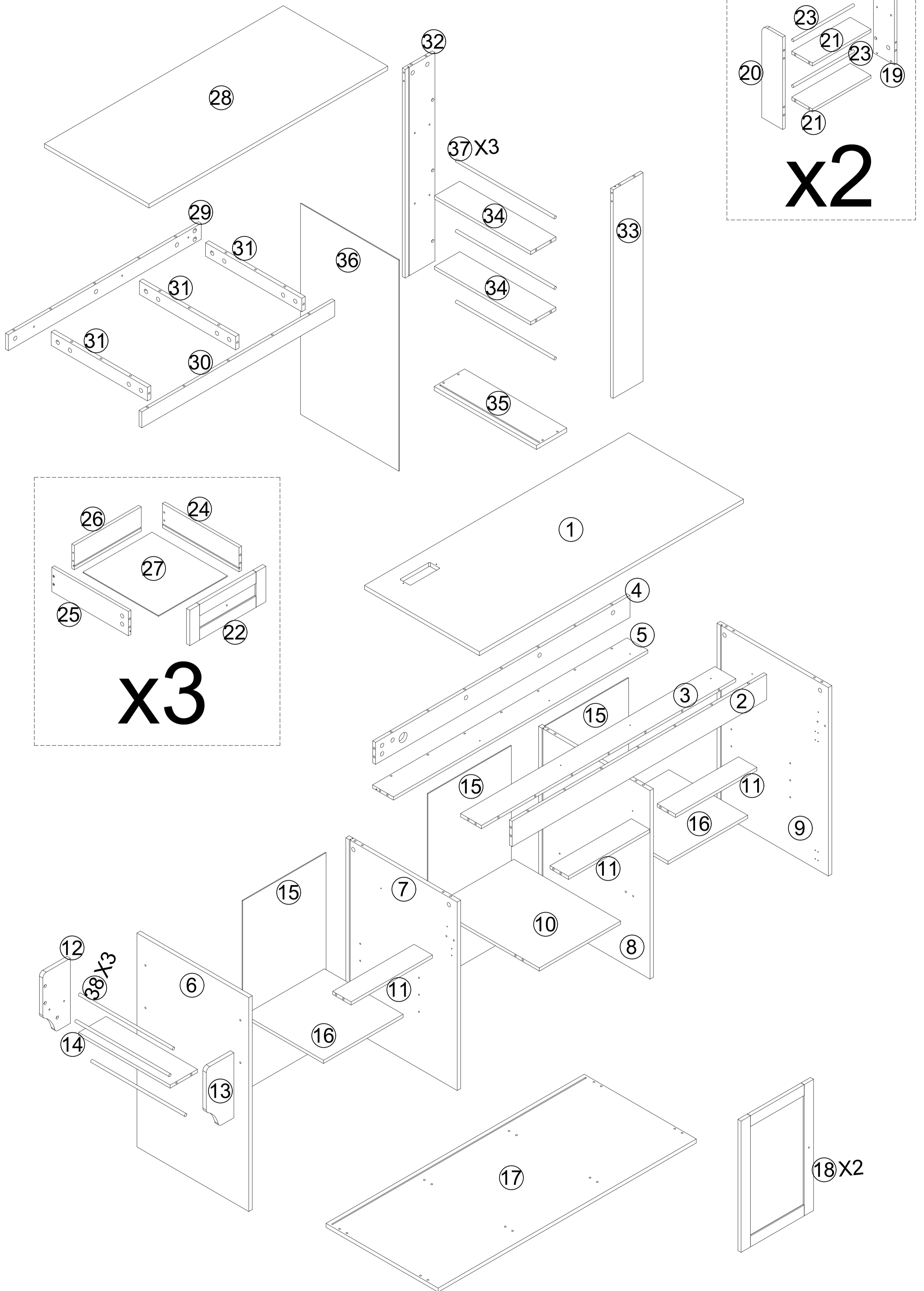
Turn cam lock clockwise to tighten.



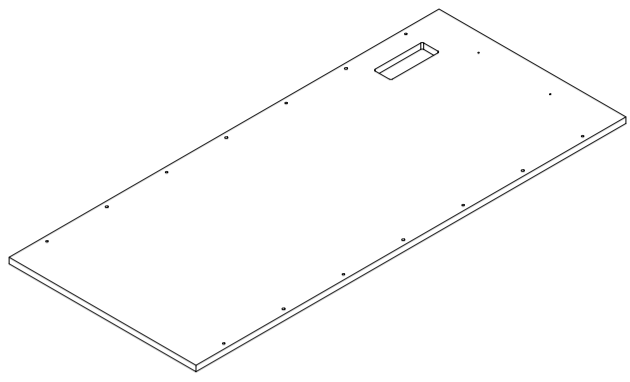
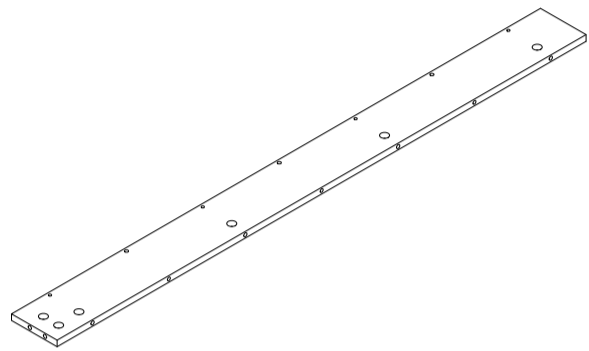
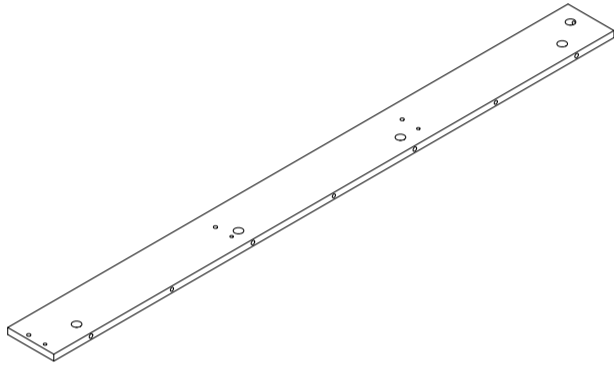
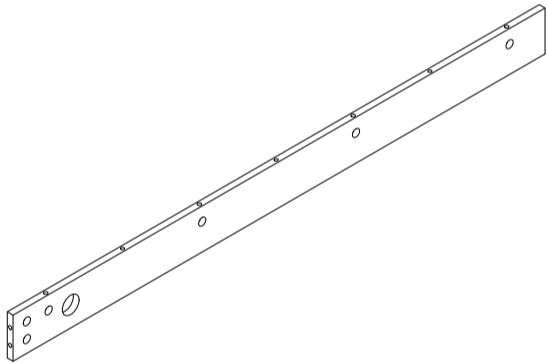
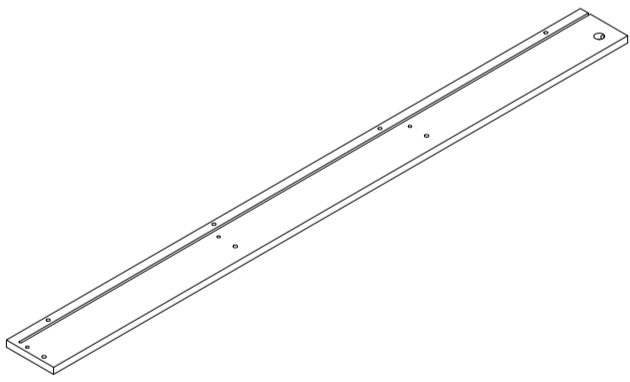
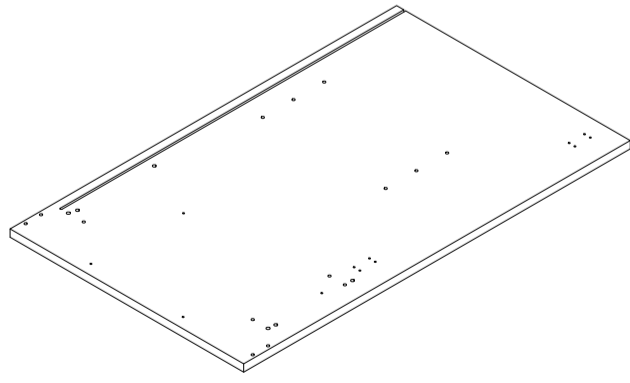
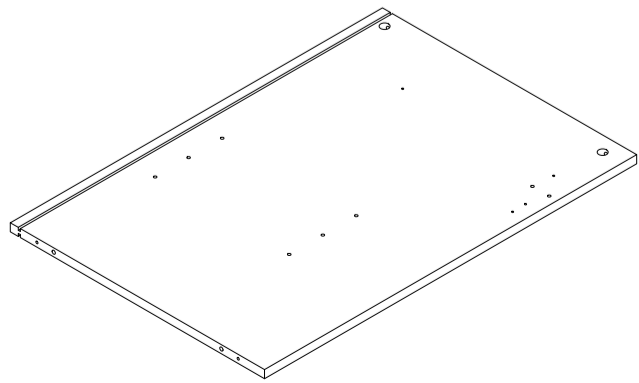
## friendly reminder

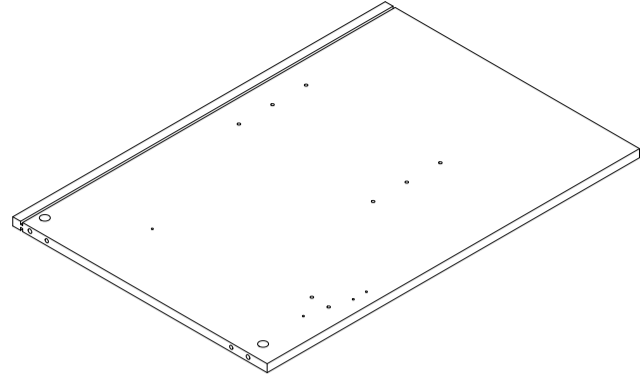
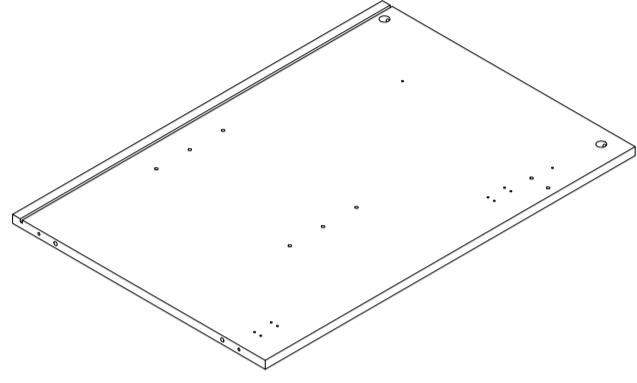
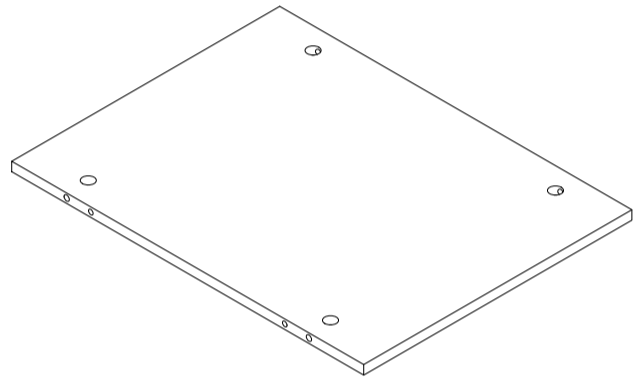
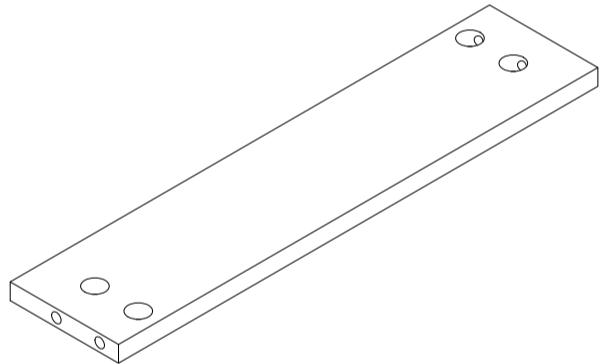
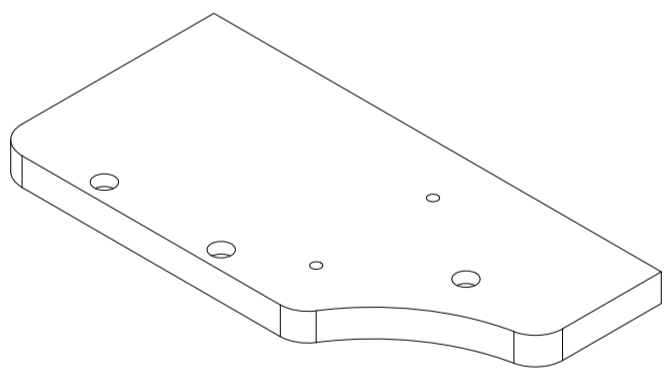
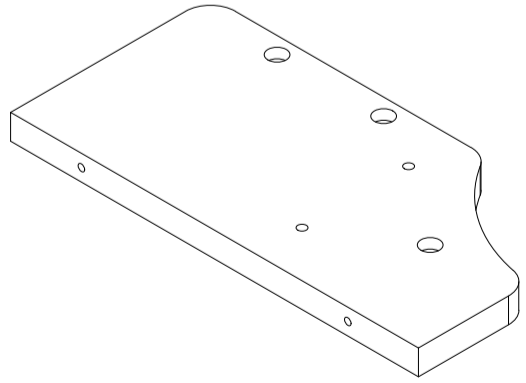
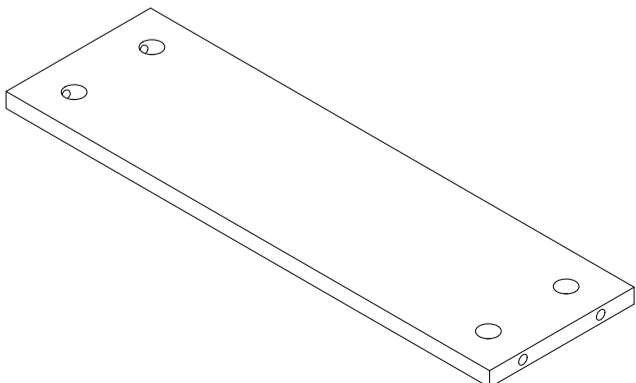
To avoid errors and confusion during the installation of accessories, use the type and quantity of hardware accessories according to the installation procedure described in the instructions. First, unroll the accessories bag and lay out the hardware accessories, cut holes in the side, and take out the hardware accessories

# Assembly Instructions

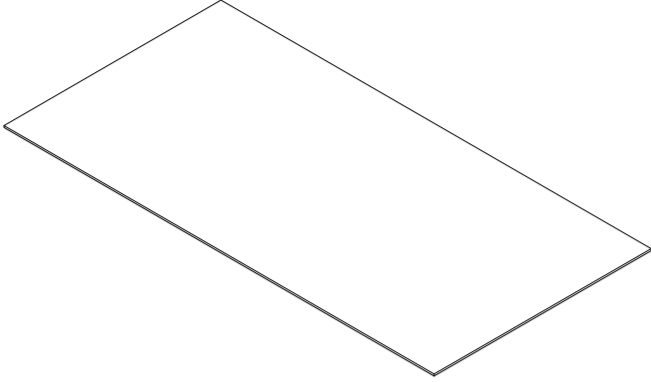
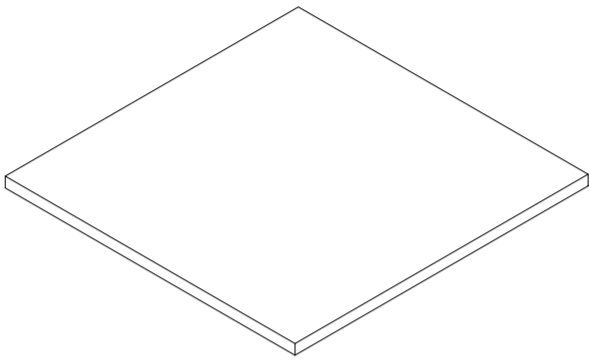
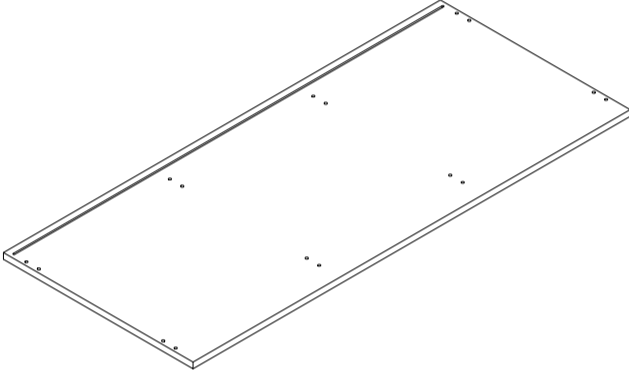
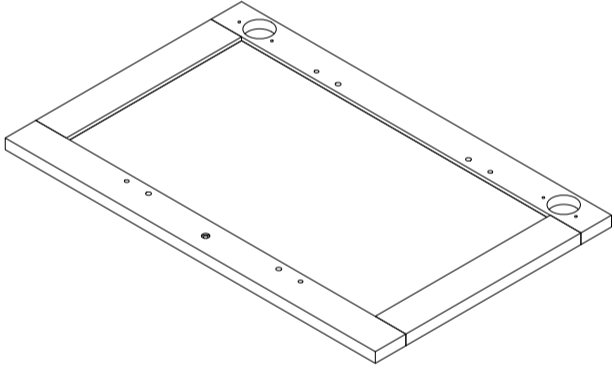
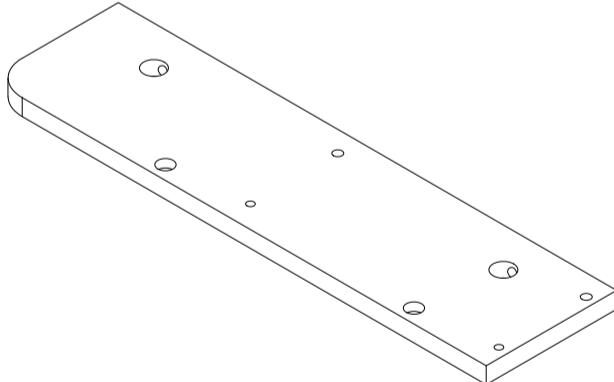
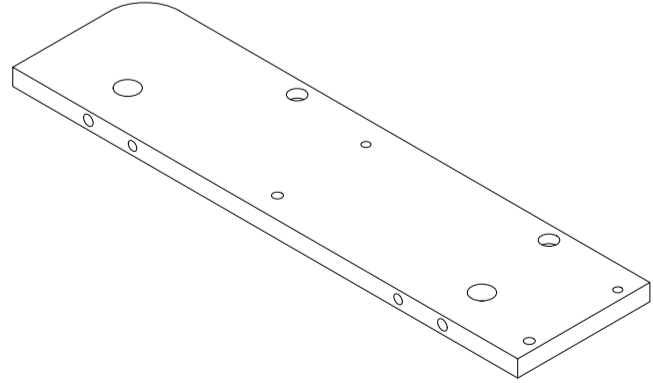
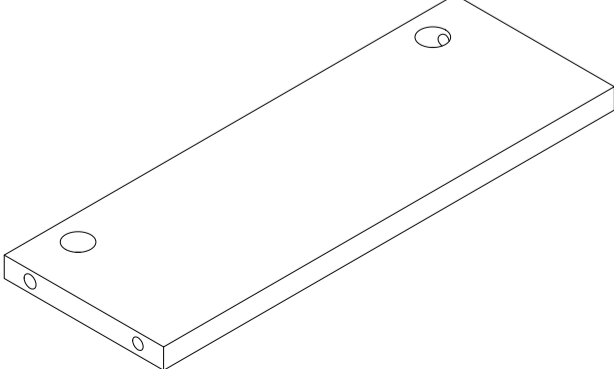


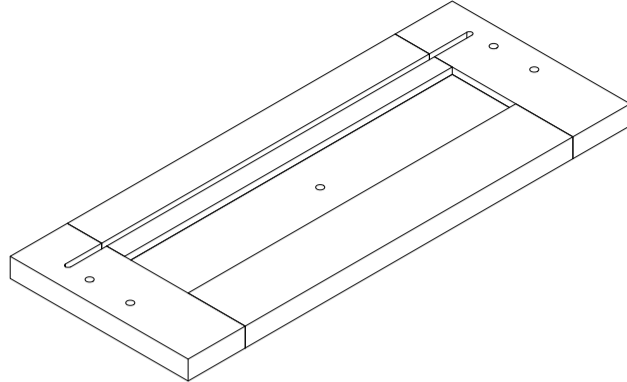
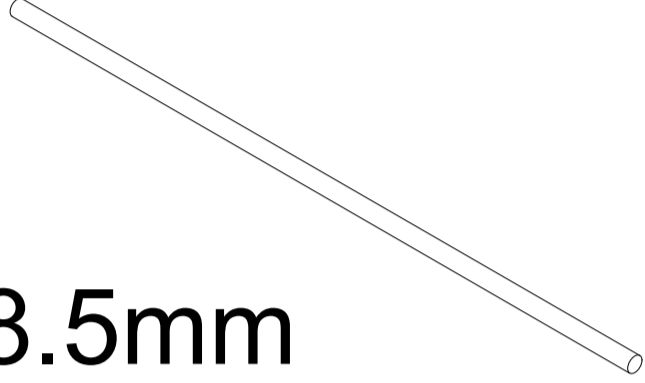
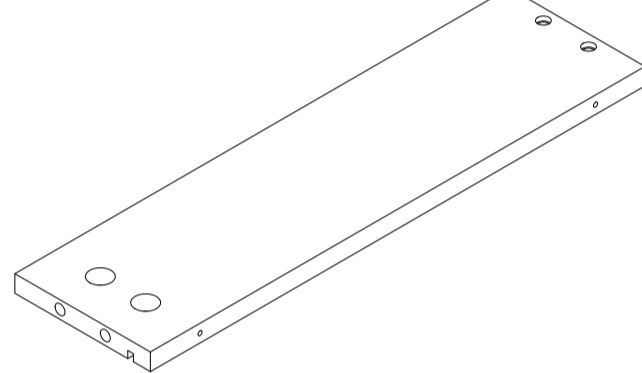
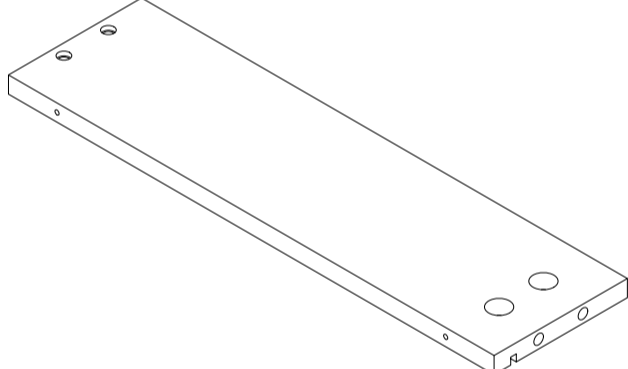
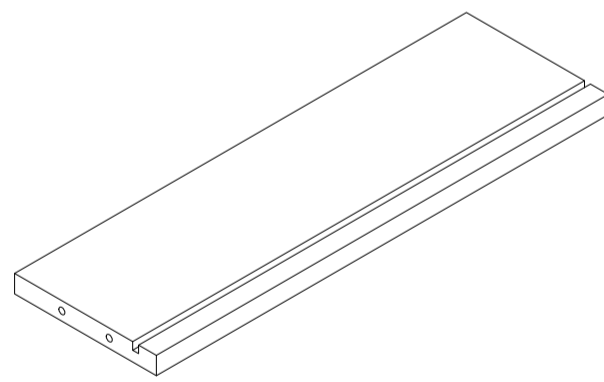
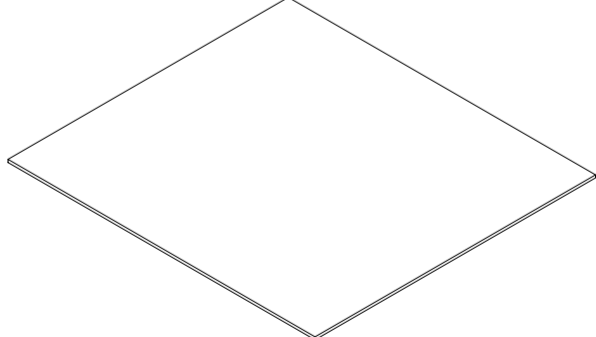
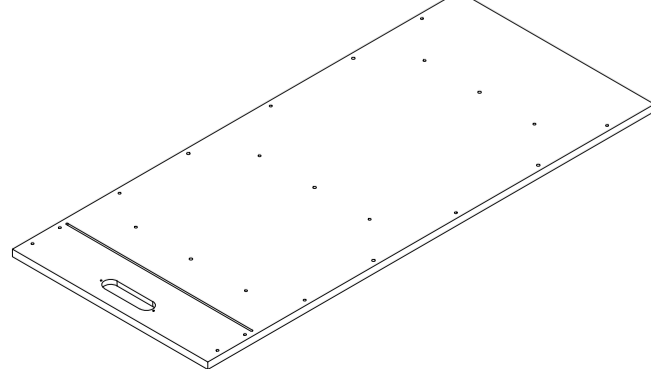
# Parts List

NO.	PARTS	QTY
①		x1
NO.	PARTS	QTY
②		x1
NO.	PARTS	QTY
③		x1
NO.	PARTS	QTY
④		x1
NO.	PARTS	QTY
⑤		x1
NO.	PARTS	QTY
⑥		x1
NO.	PARTS	QTY
⑦		x1

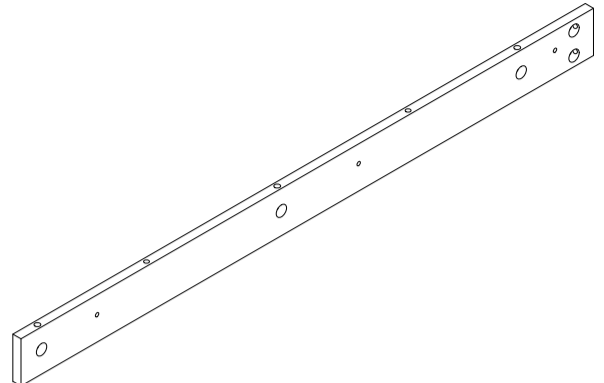
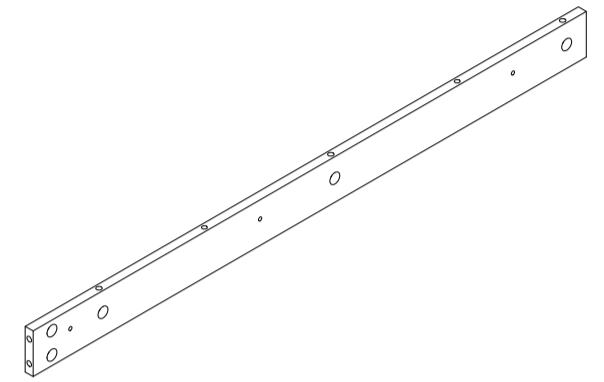
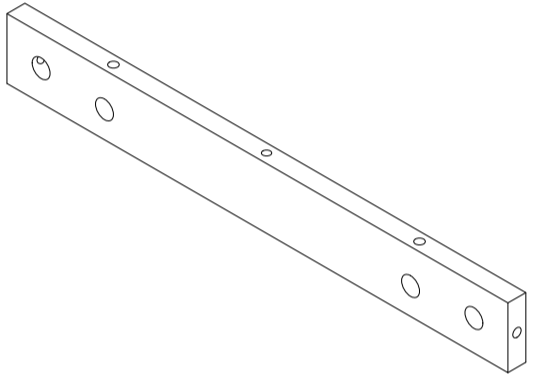
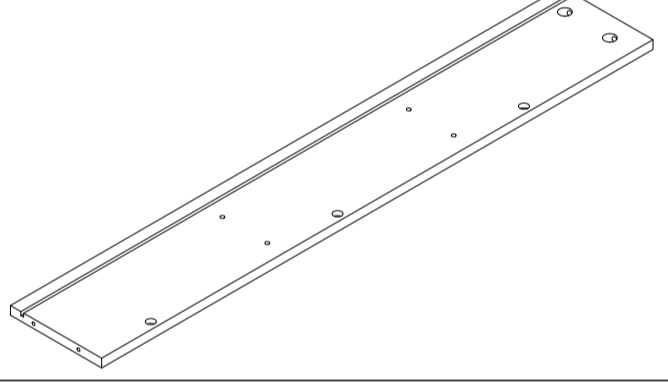
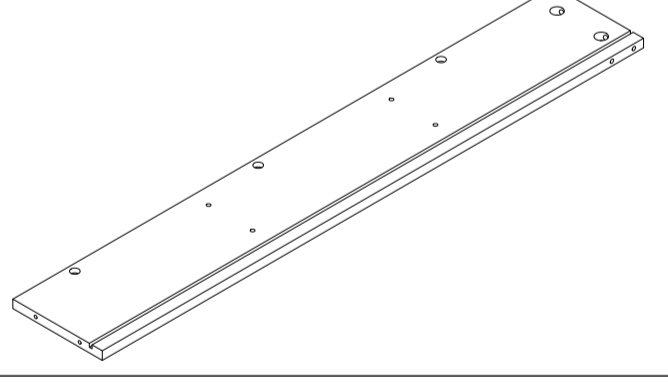
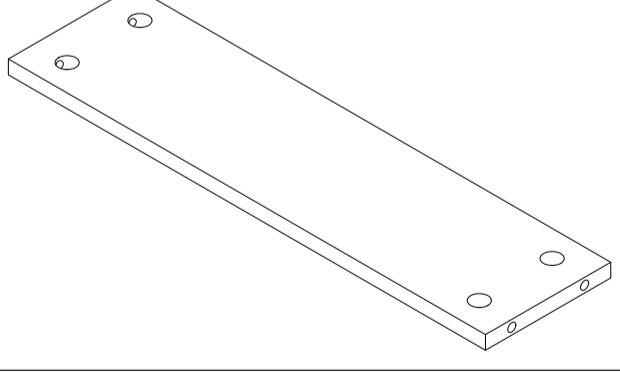
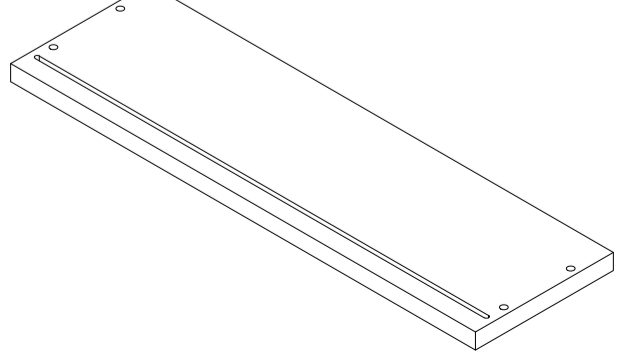
NO.	PARTS	QTY
⑧		x1
NO.	PARTS	QTY
⑨		x1
NO.	PARTS	QTY
⑩		x1
NO.	PARTS	QTY
⑪		x3
NO.	PARTS	QTY
⑫		x1
NO.	PARTS	QTY
⑬		x1
NO.	PARTS	QTY
⑭		x1

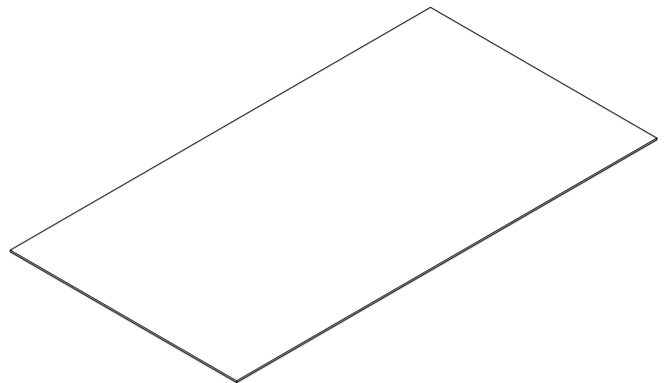
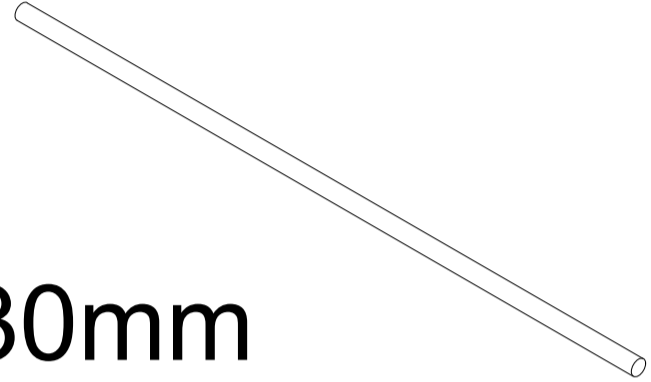
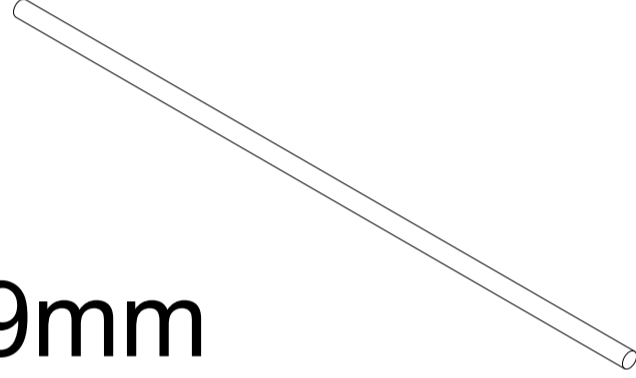
# Parts List

NO.	PARTS	QTY
15		x3
16		x2
17		x1
18		x2
19		x2
20		x2
21		x4

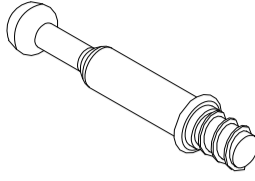
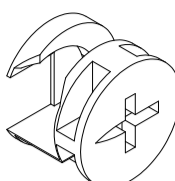
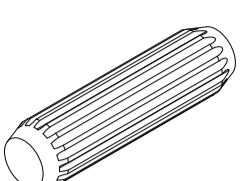
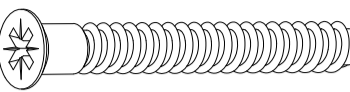
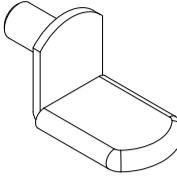
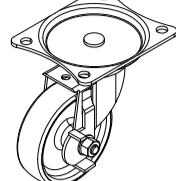
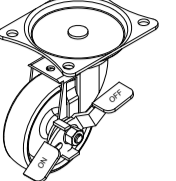
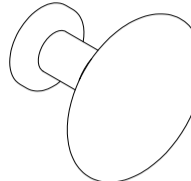
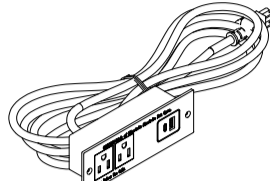
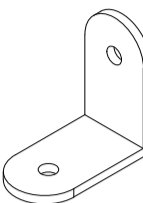
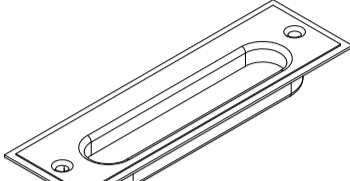
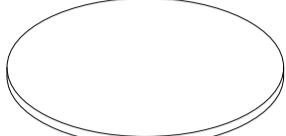
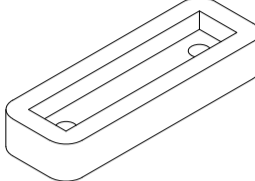
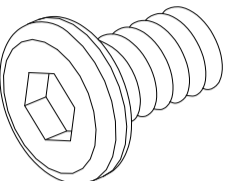
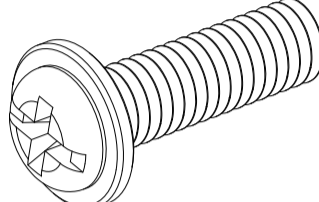
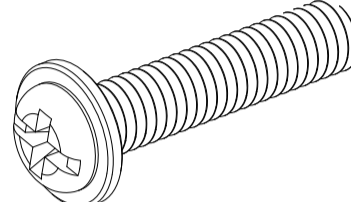
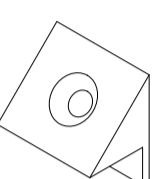
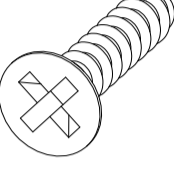
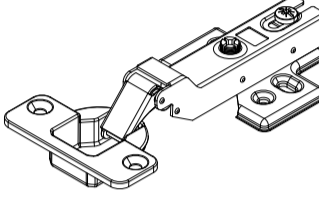
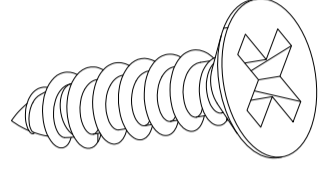
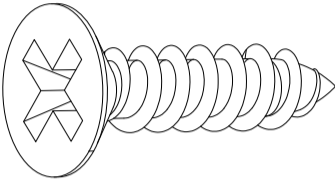
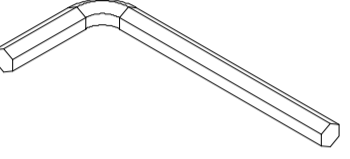
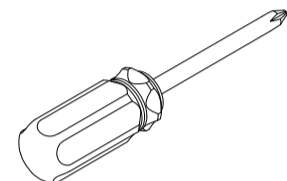

NO.	PARTS	QTY
22		x3
23	 L=278.5mm	x4
24		x3
25		x3
26		x3
27		x3
28		x1



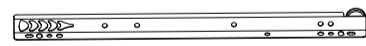

# Parts List

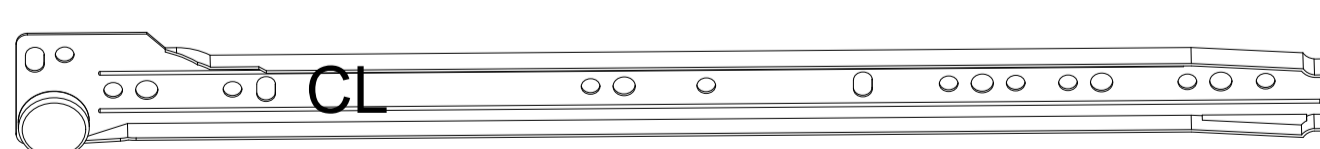
NO.	PARTS	QTY
29		x1
30		x1
31		x3
32		x1
33		x1
34		x2
35		x1

NO.	PARTS	QTY
36		x1
37	 L=430mm	x3
38	 L=409mm	x3

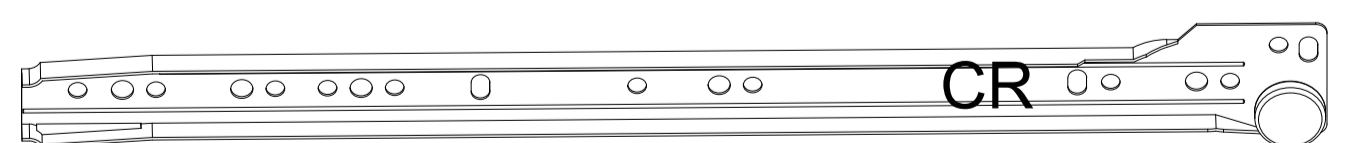
# Hardware

<b>A</b> x106+5 Ø6x35mm 	<b>B</b> x106+5 Ø15x10mm 	<b>C</b> x55+5 Ø6x30mm 	<b>D</b> x32+3 Ø5x38mm 	<b>E</b> x8+1 	<b>F</b> x3 	<b>G</b> x4 
<b>H</b> x5 	<b>I</b> x1 	<b>J</b> x2 	<b>K</b> x1 	<b>L</b> x16+2 	<b>M</b> x2 	<b>N</b> x28+2 M6x12mm 
<b>O</b> x3+1 M4x10mm 	<b>P</b> x2+1 M4x16mm 	<b>Q</b> x34+3   Ø3x16mm	<b>R</b> x4 	<b>S</b> x24+3 3.5x14mm 	<b>T</b> x48+5 3x12mm 	<b>U</b> x1 
						<b>V</b> x2 L=800mm 

 CL X3 350MM	 CR X3 350MM
 DL X3 350MM	 DR X3 350MM



CL



CR



DL

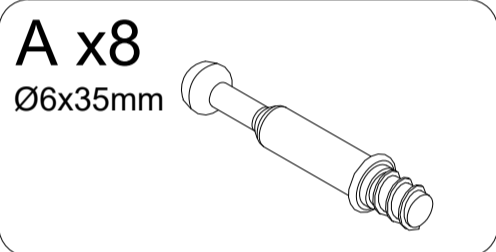
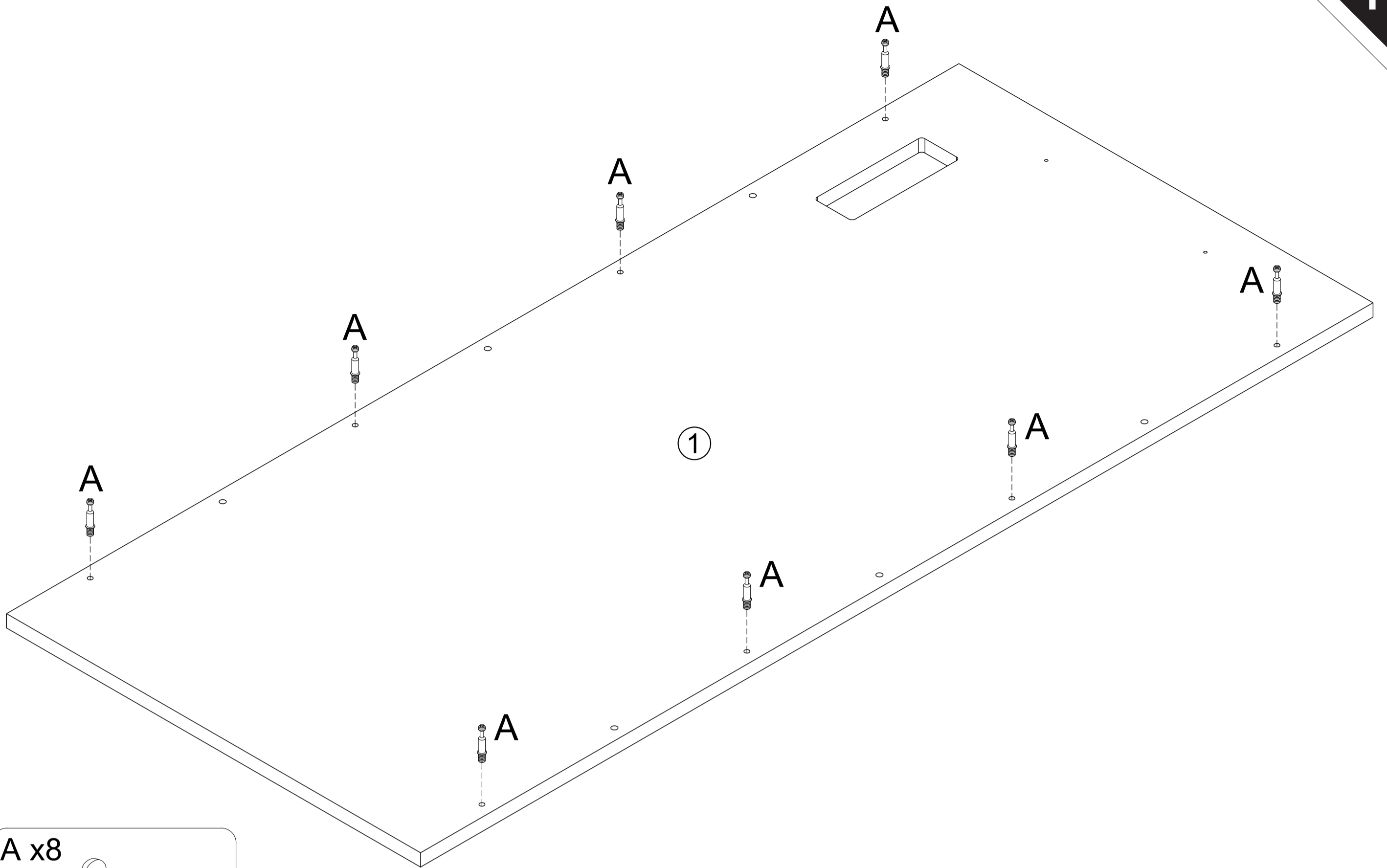


DR

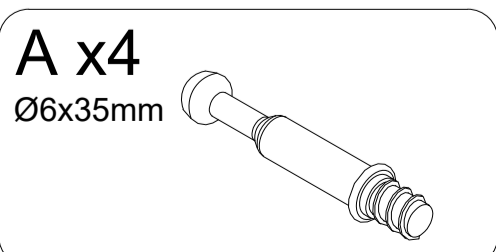
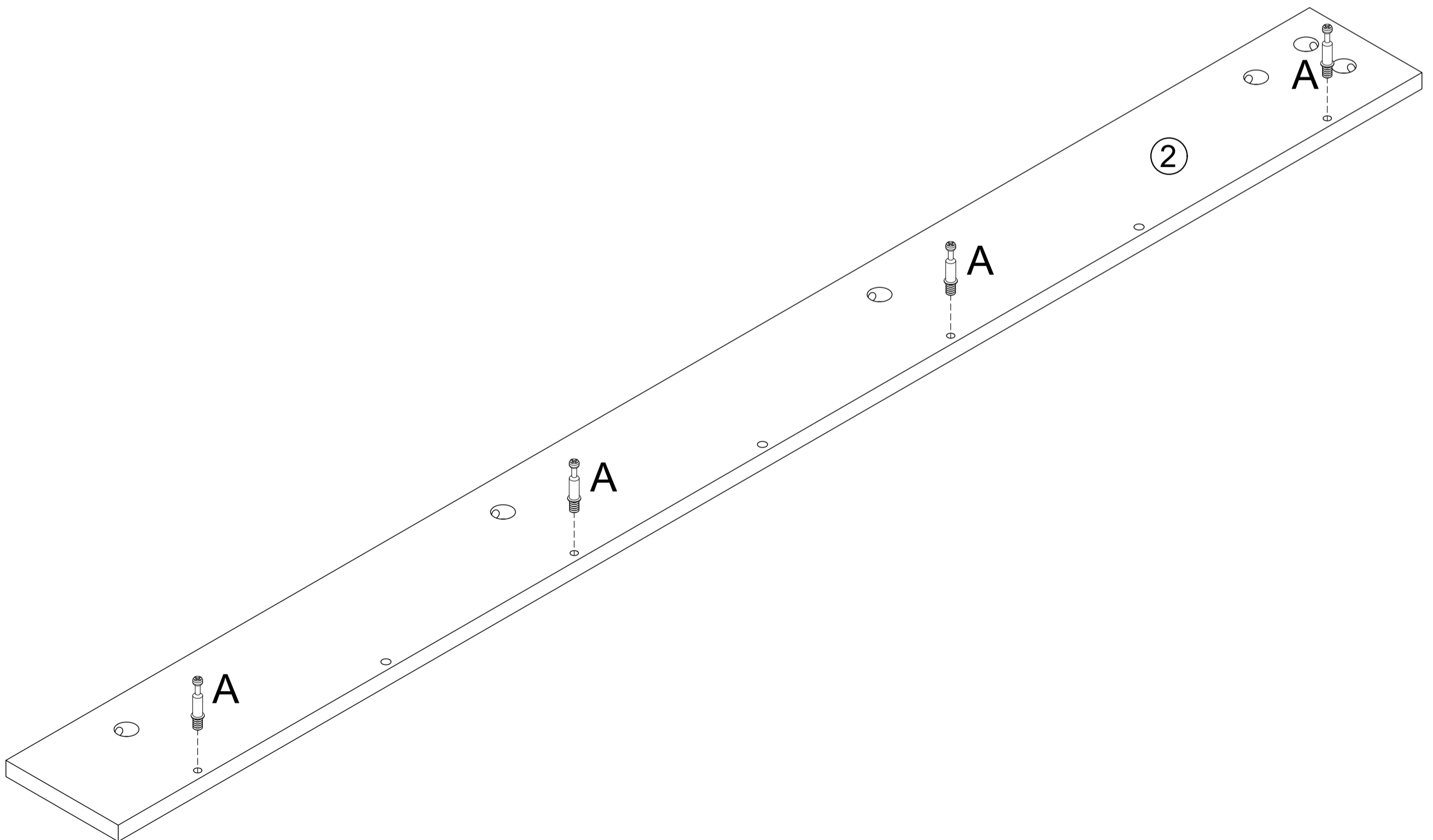


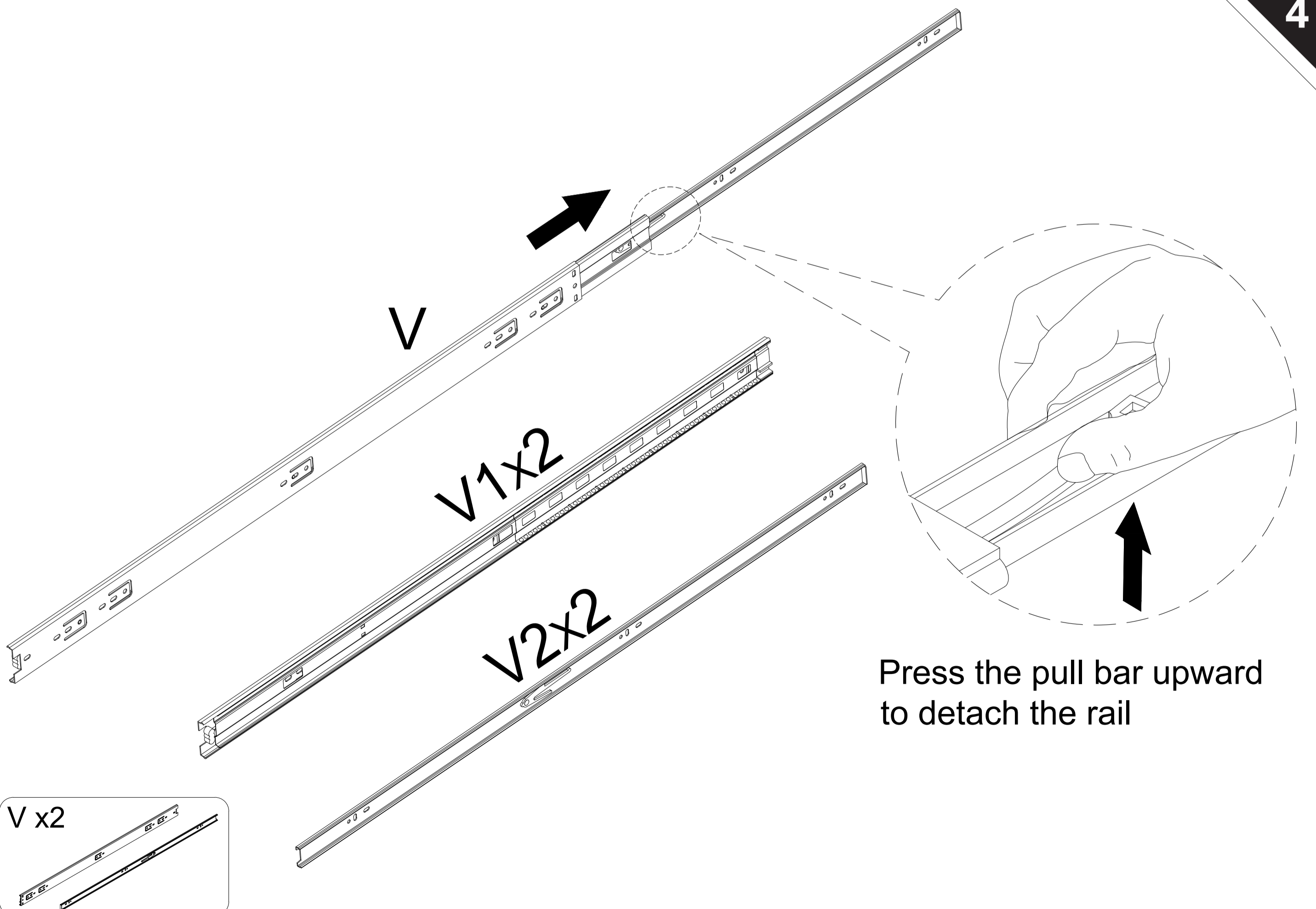
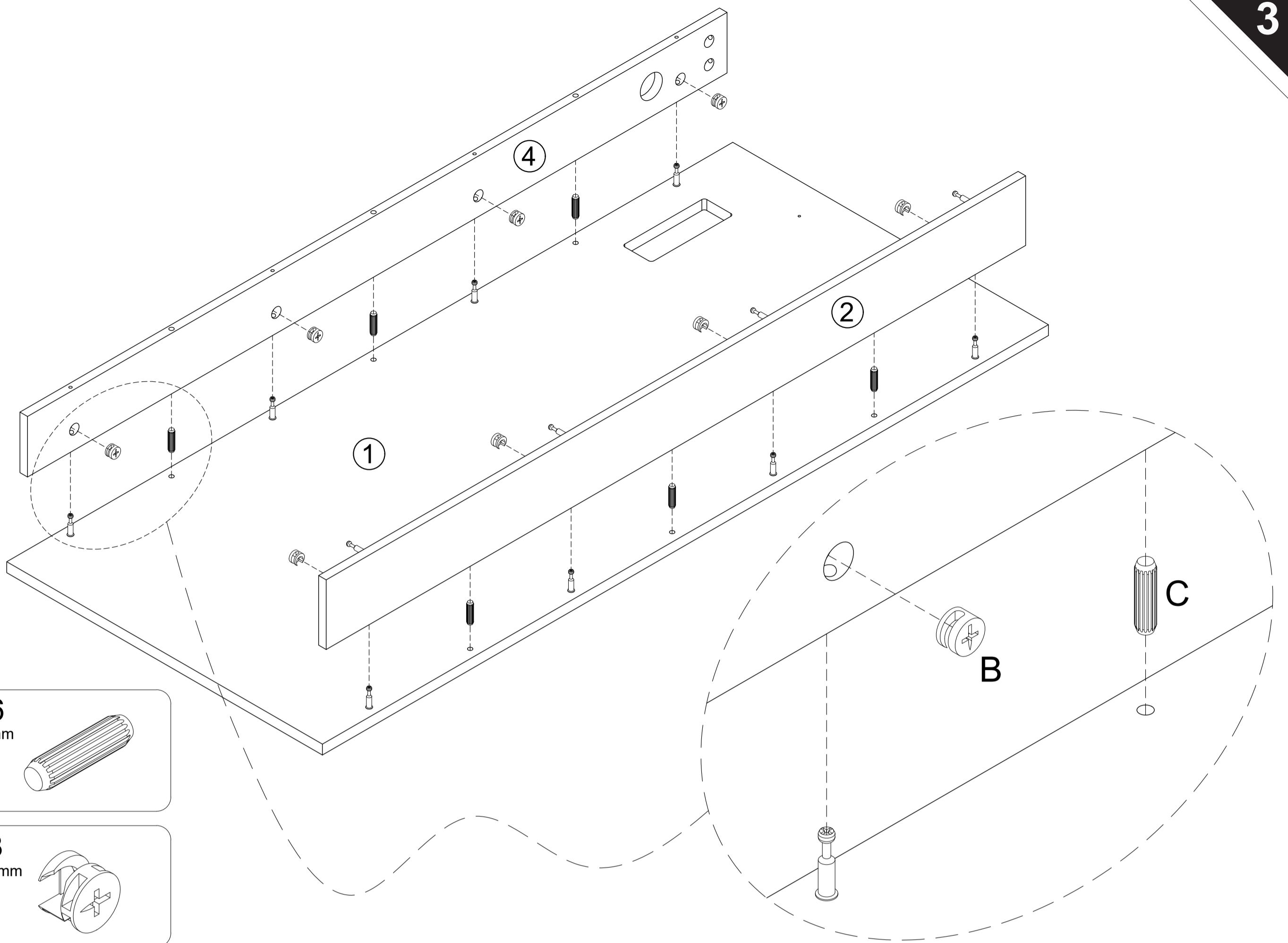
# Assembly Steps

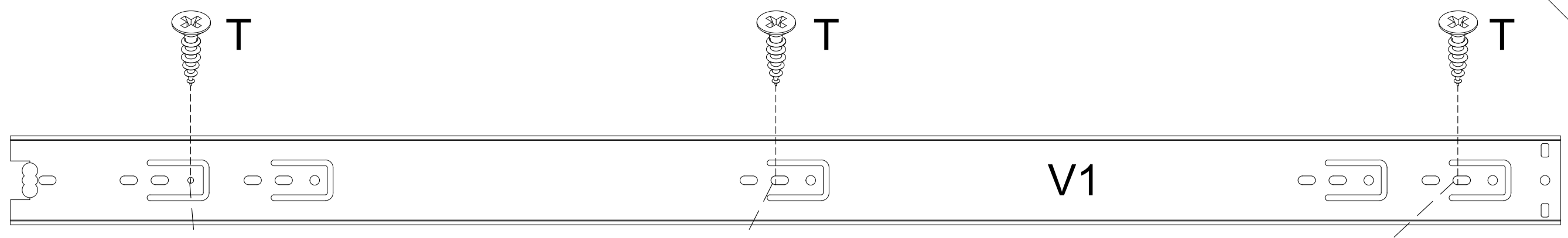
1



2

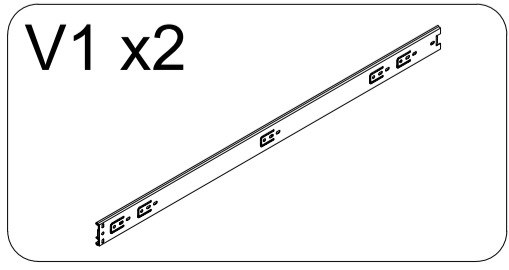
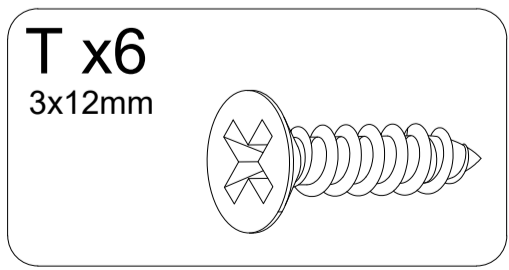
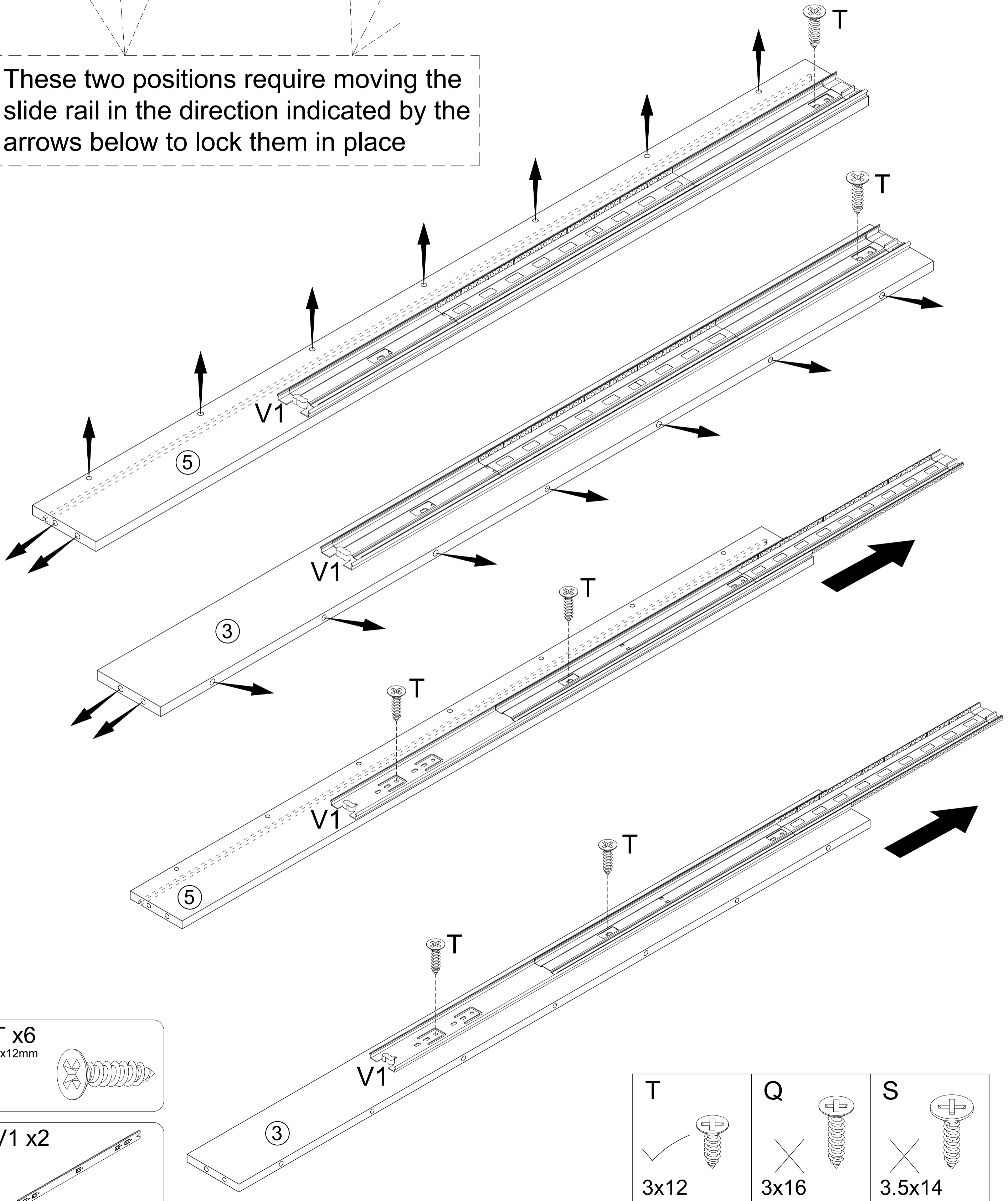




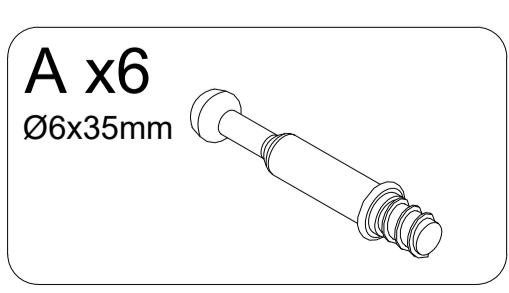
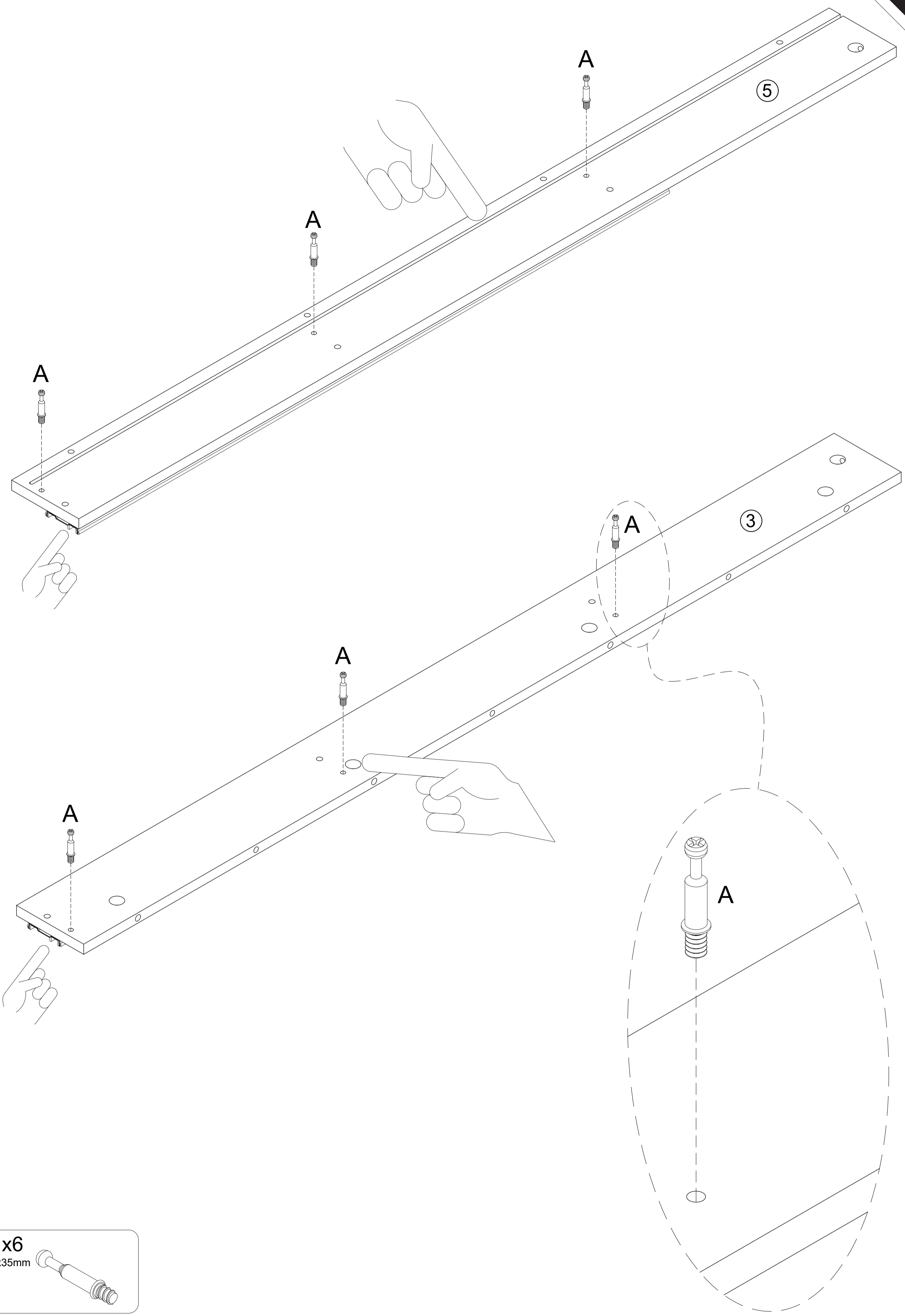


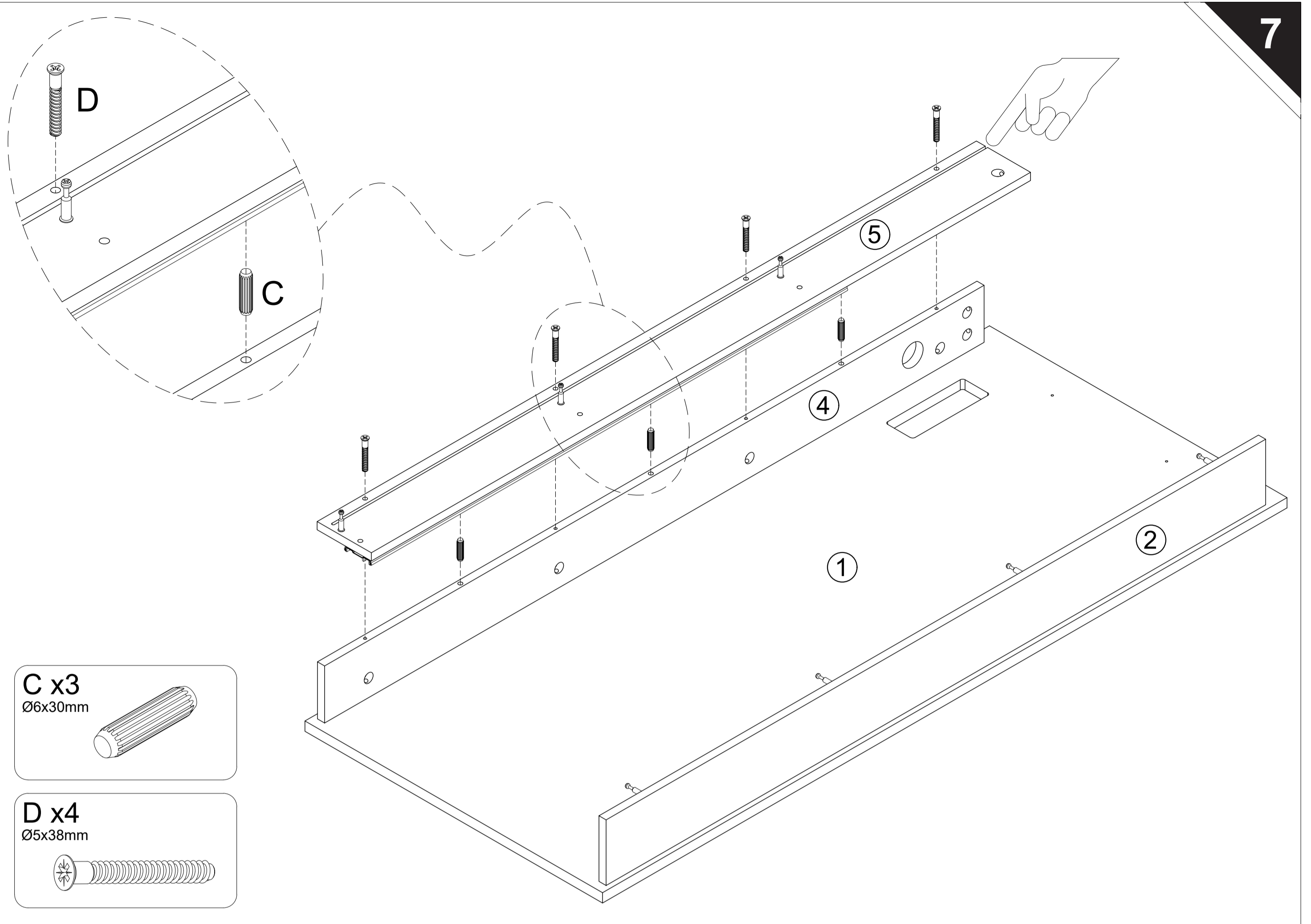
Lock this position first

These two positions require moving the slide rail in the direction indicated by the arrows below to lock them in place

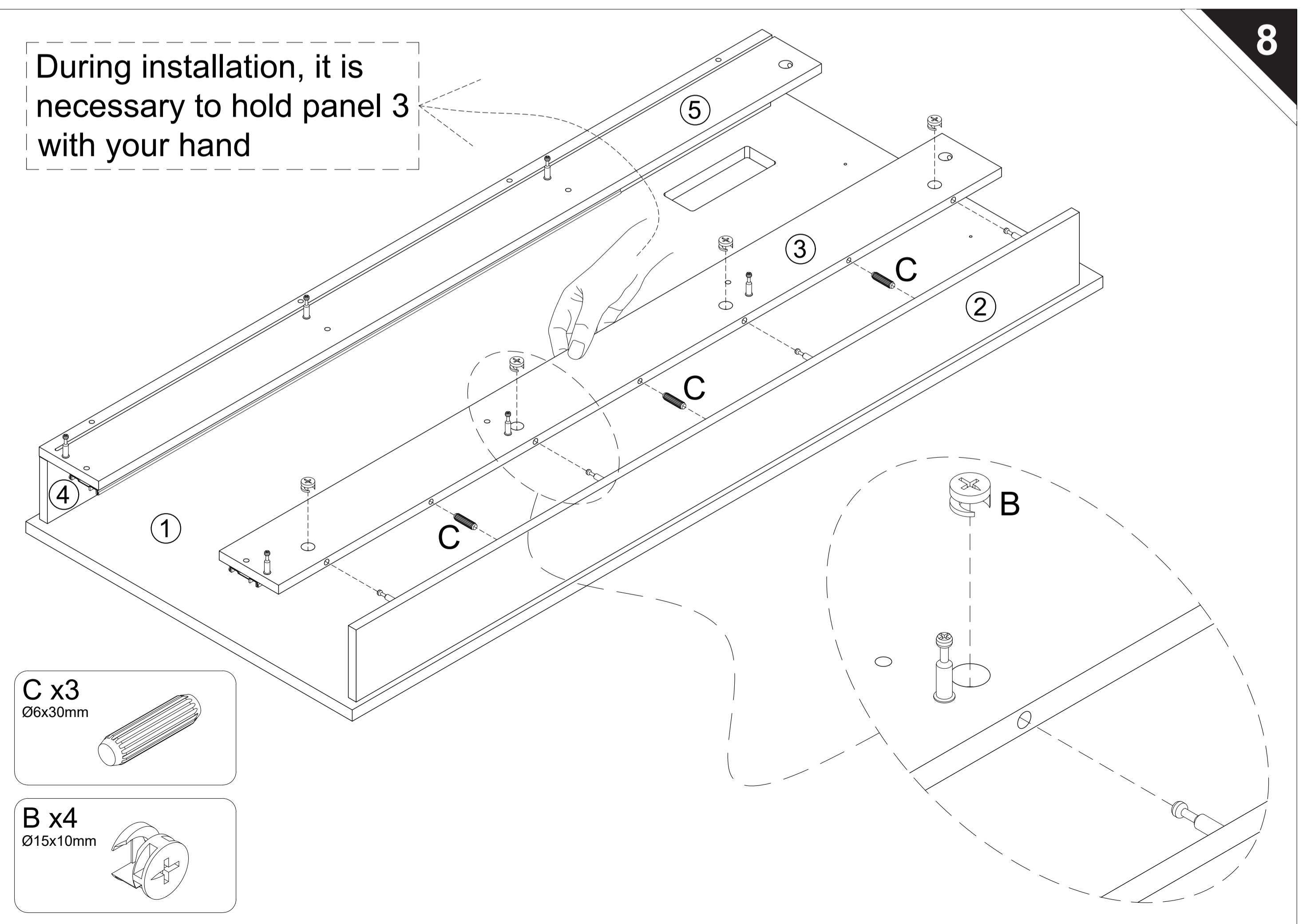


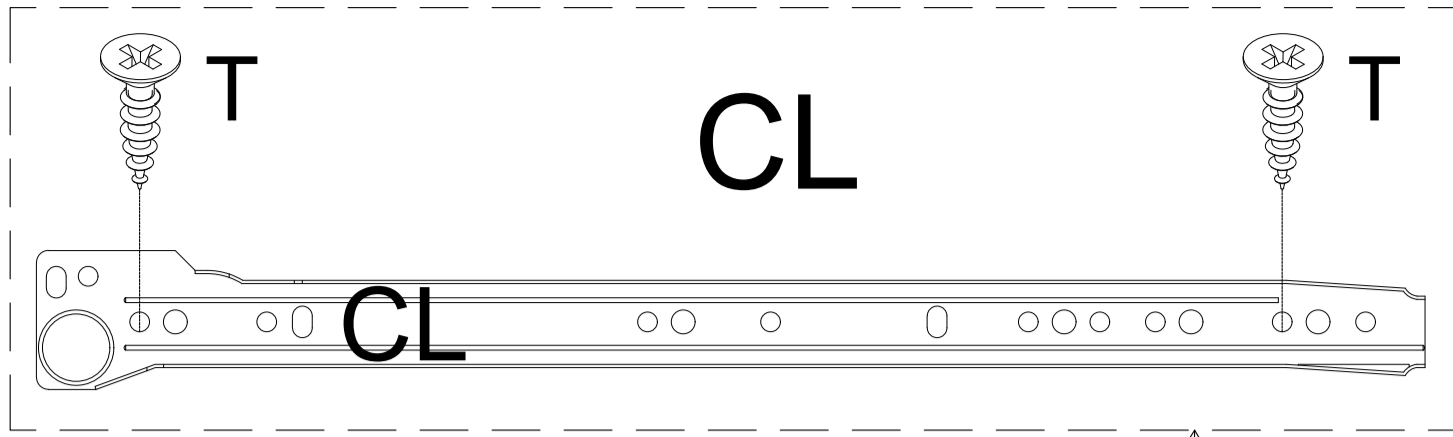
T	Q	S
3x12	3x16	3.5x14



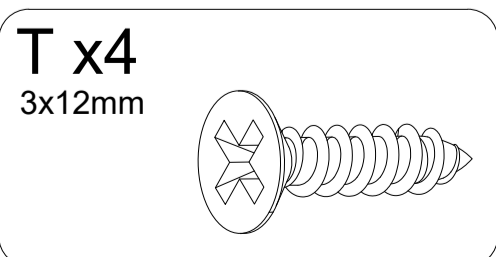
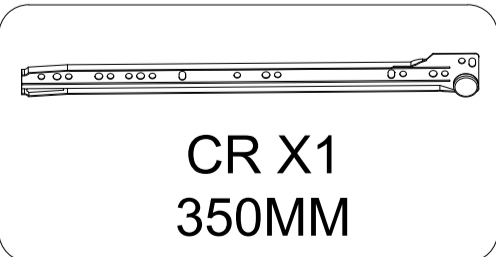
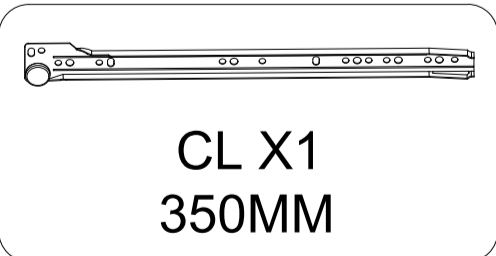
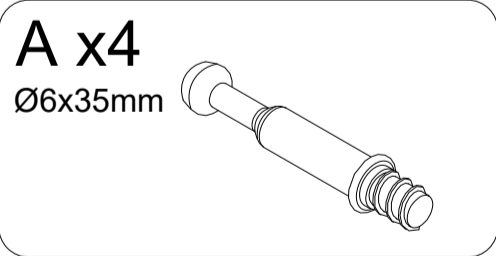
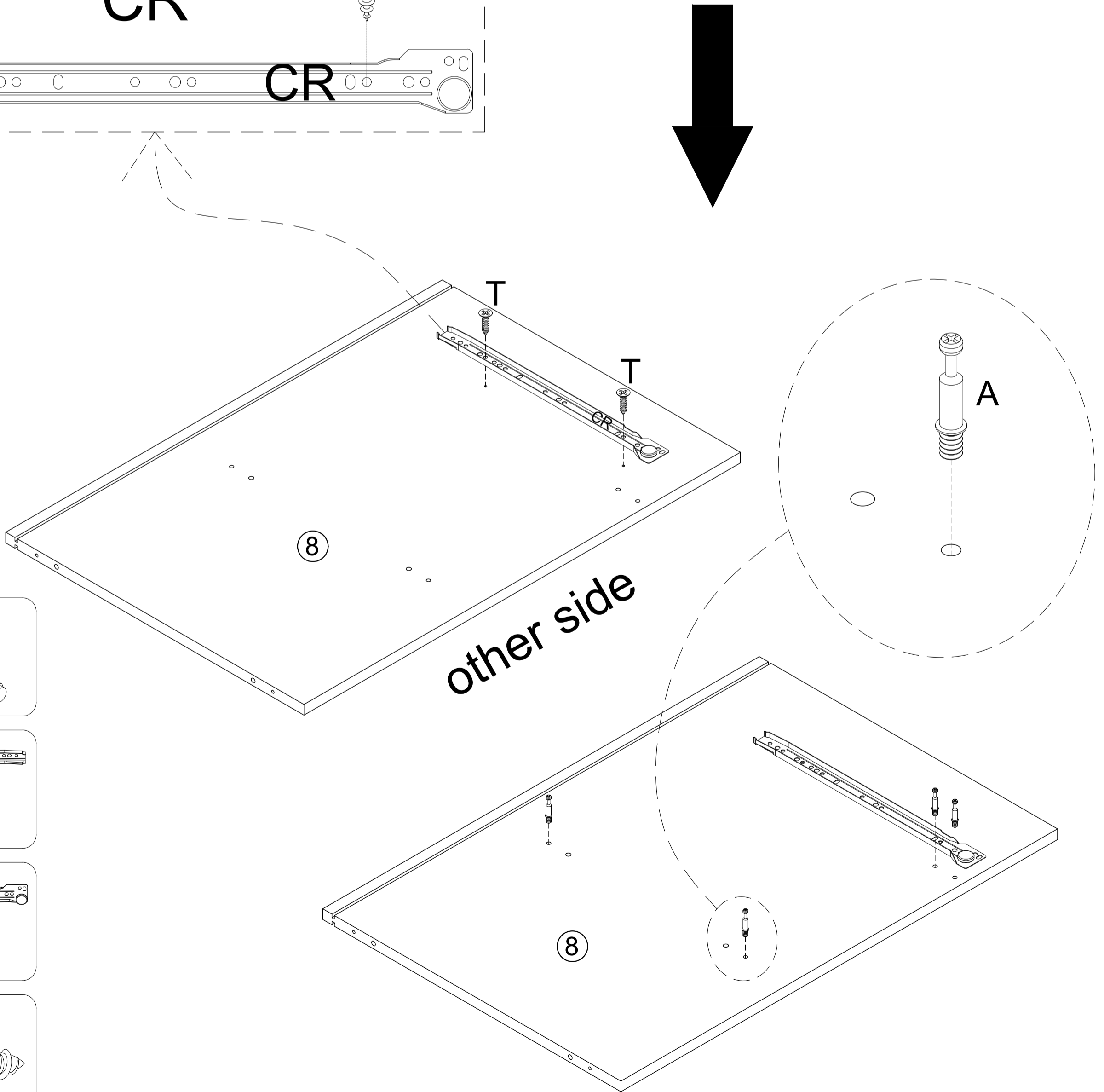
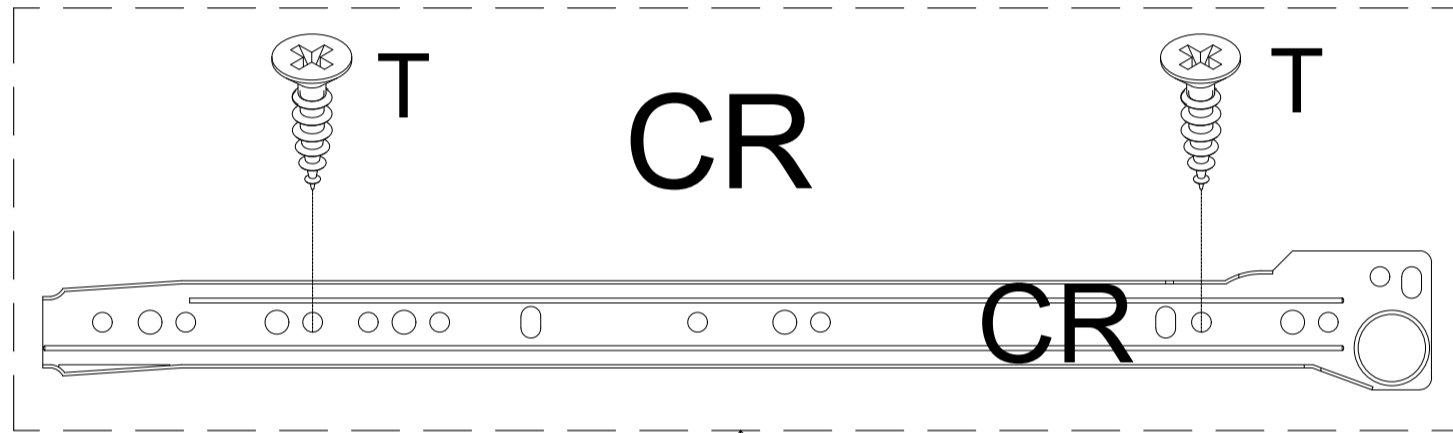
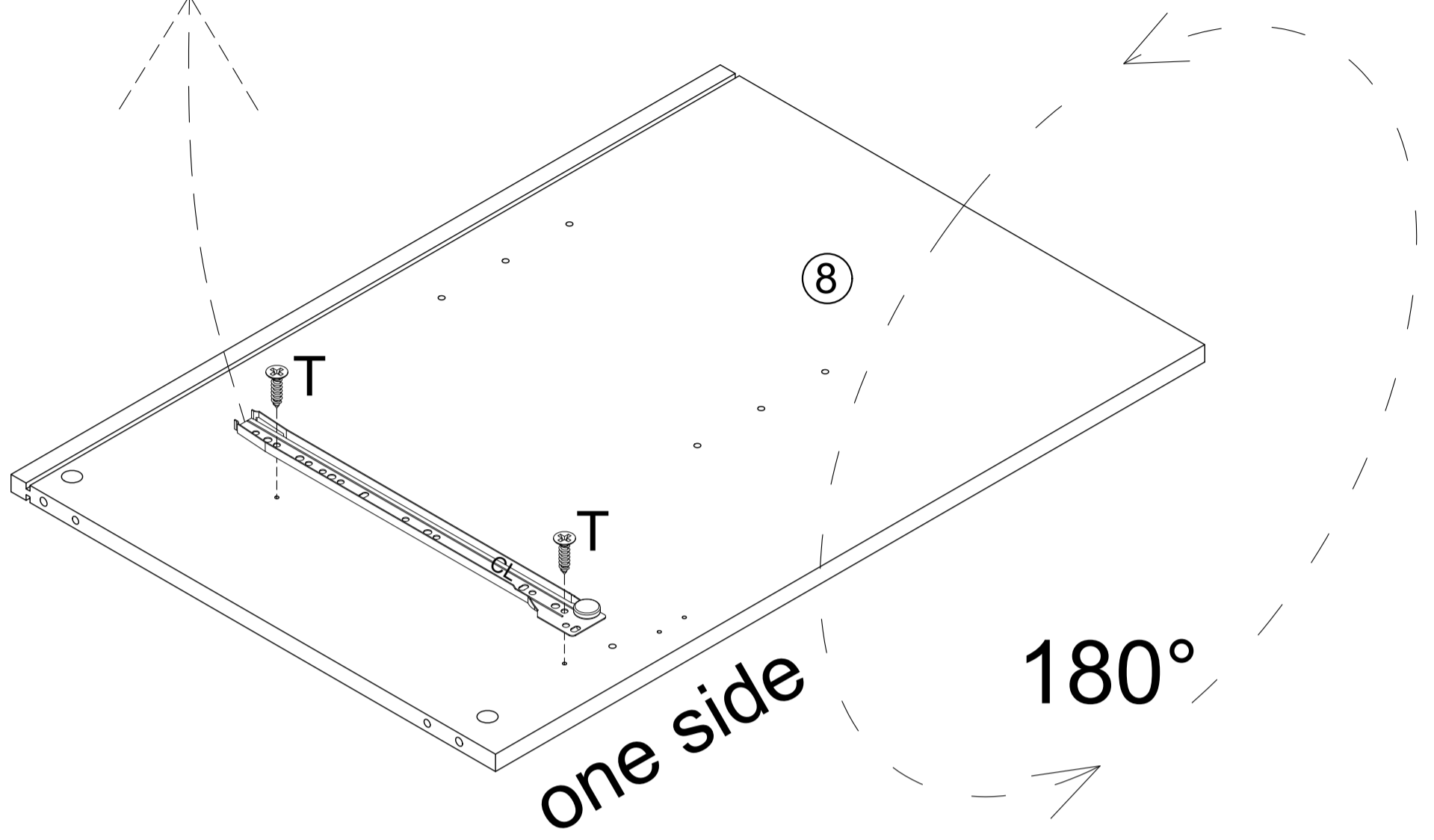


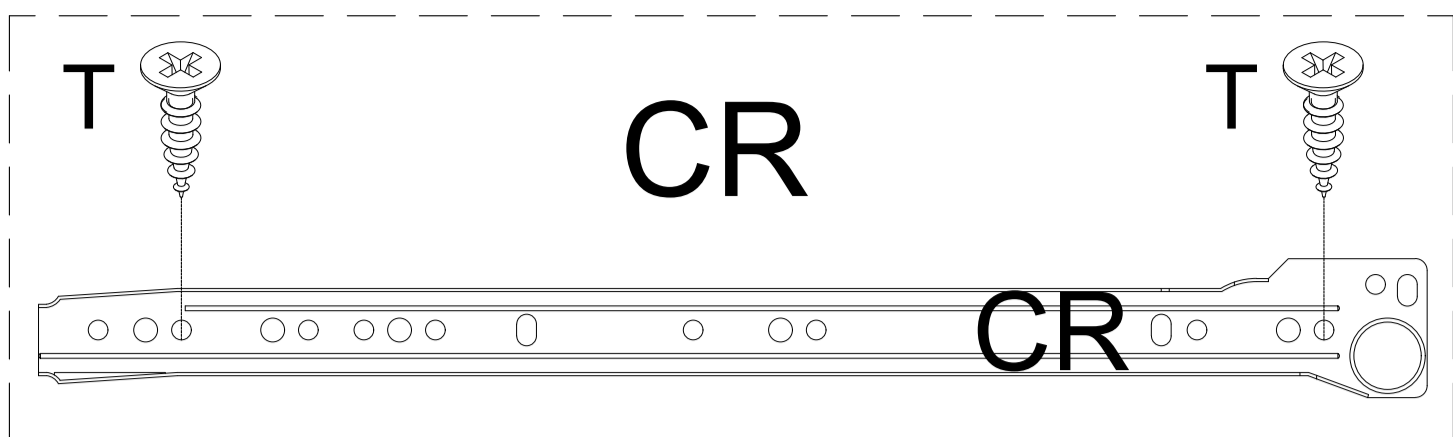
During installation, it is necessary to hold panel 3 with your hand



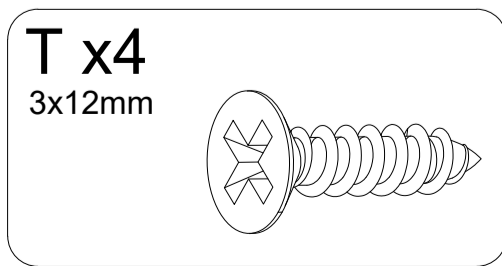
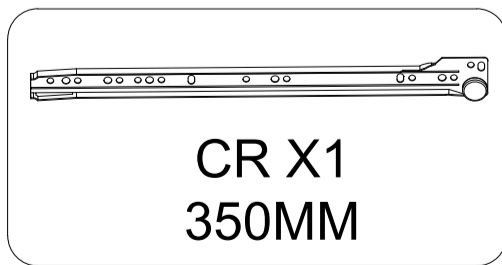
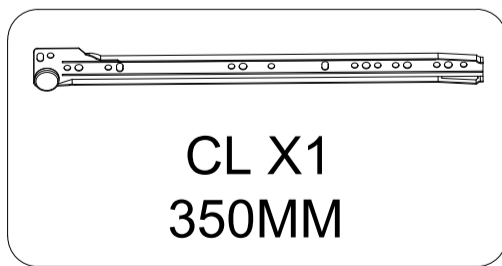
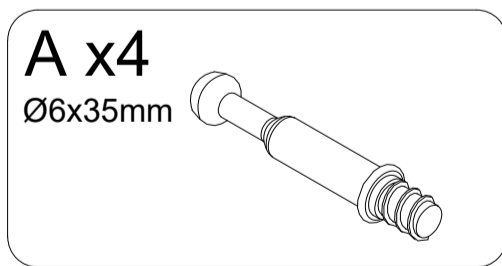
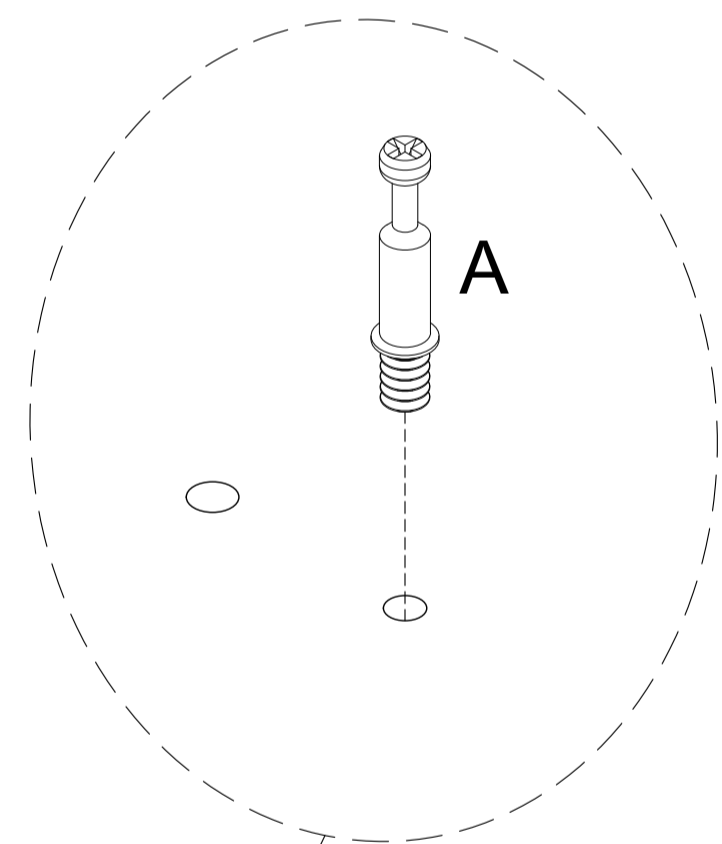
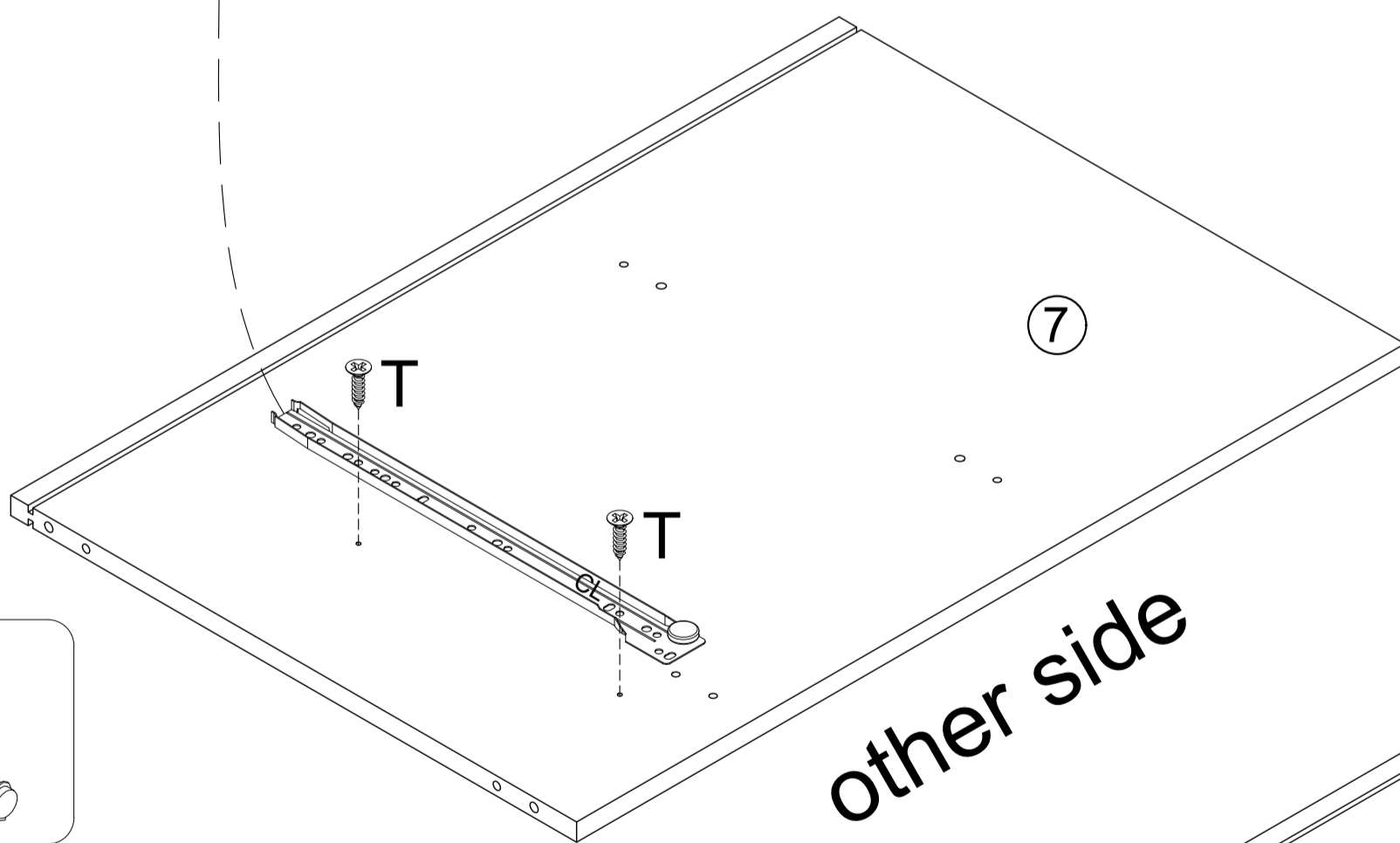
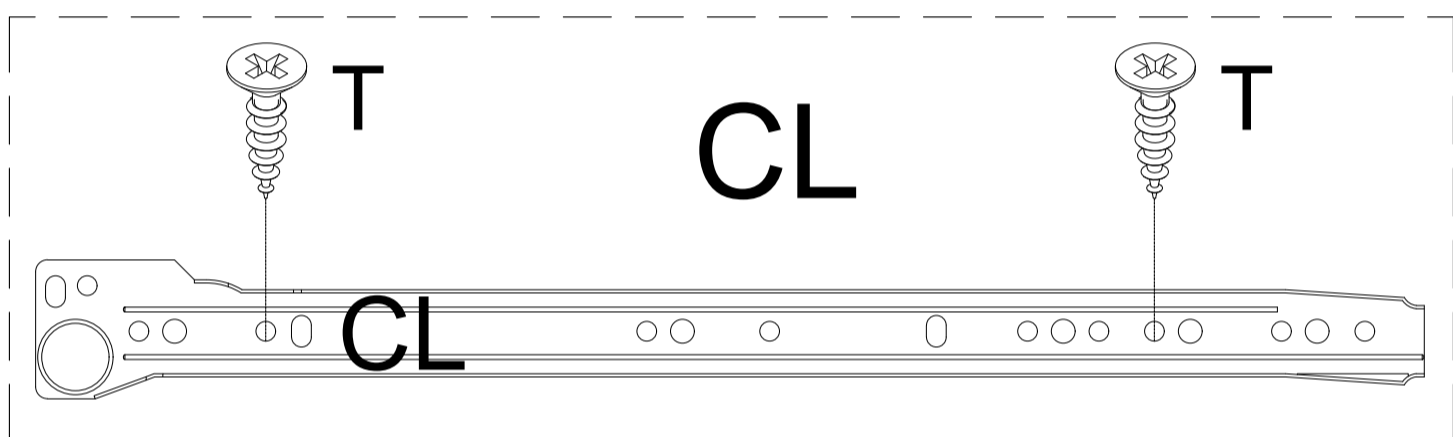
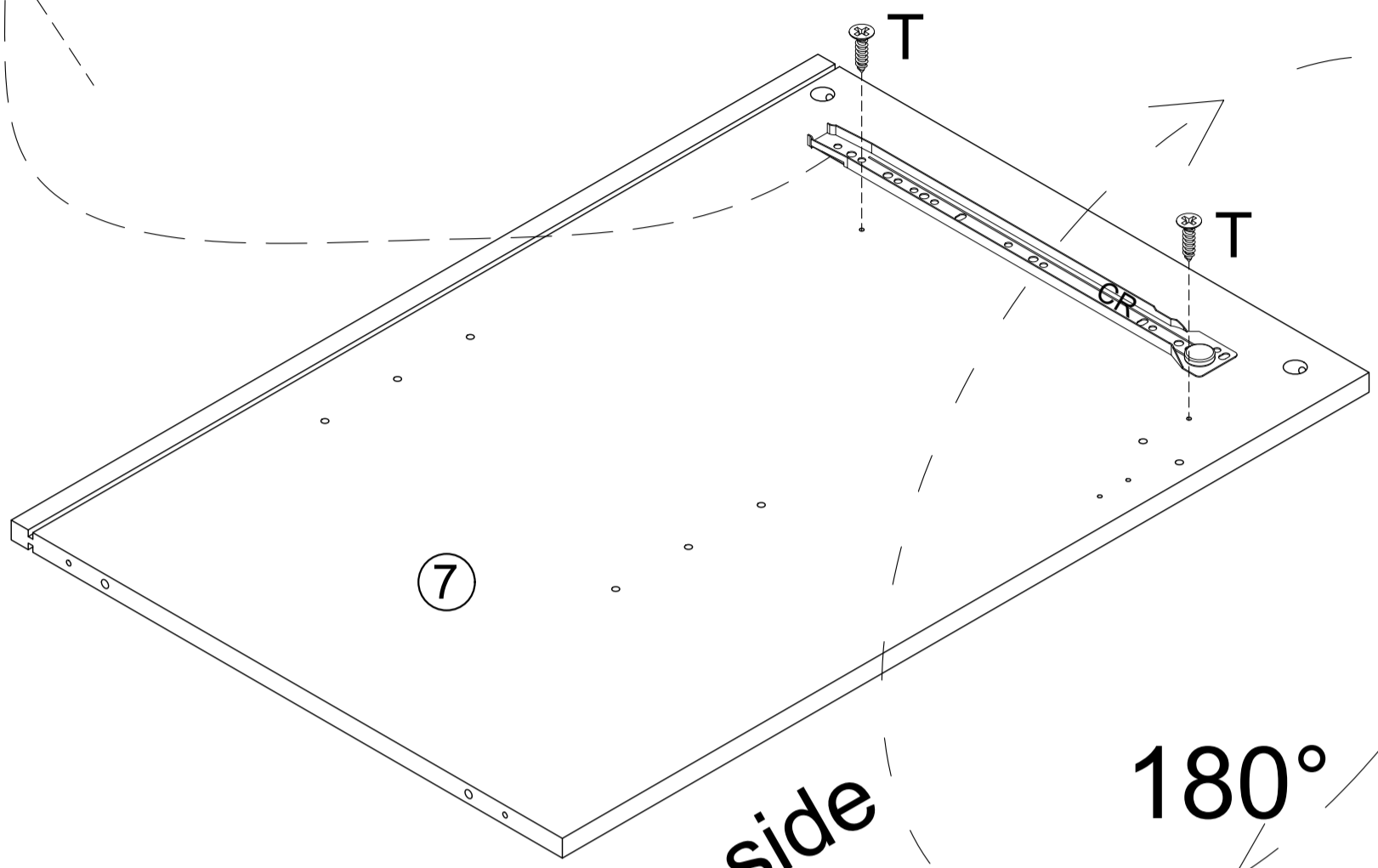


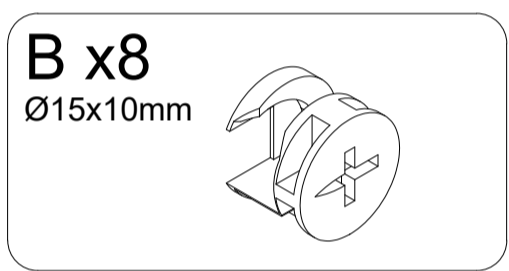
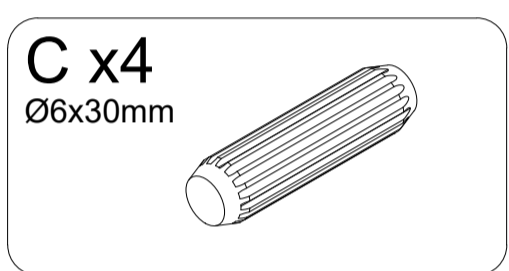
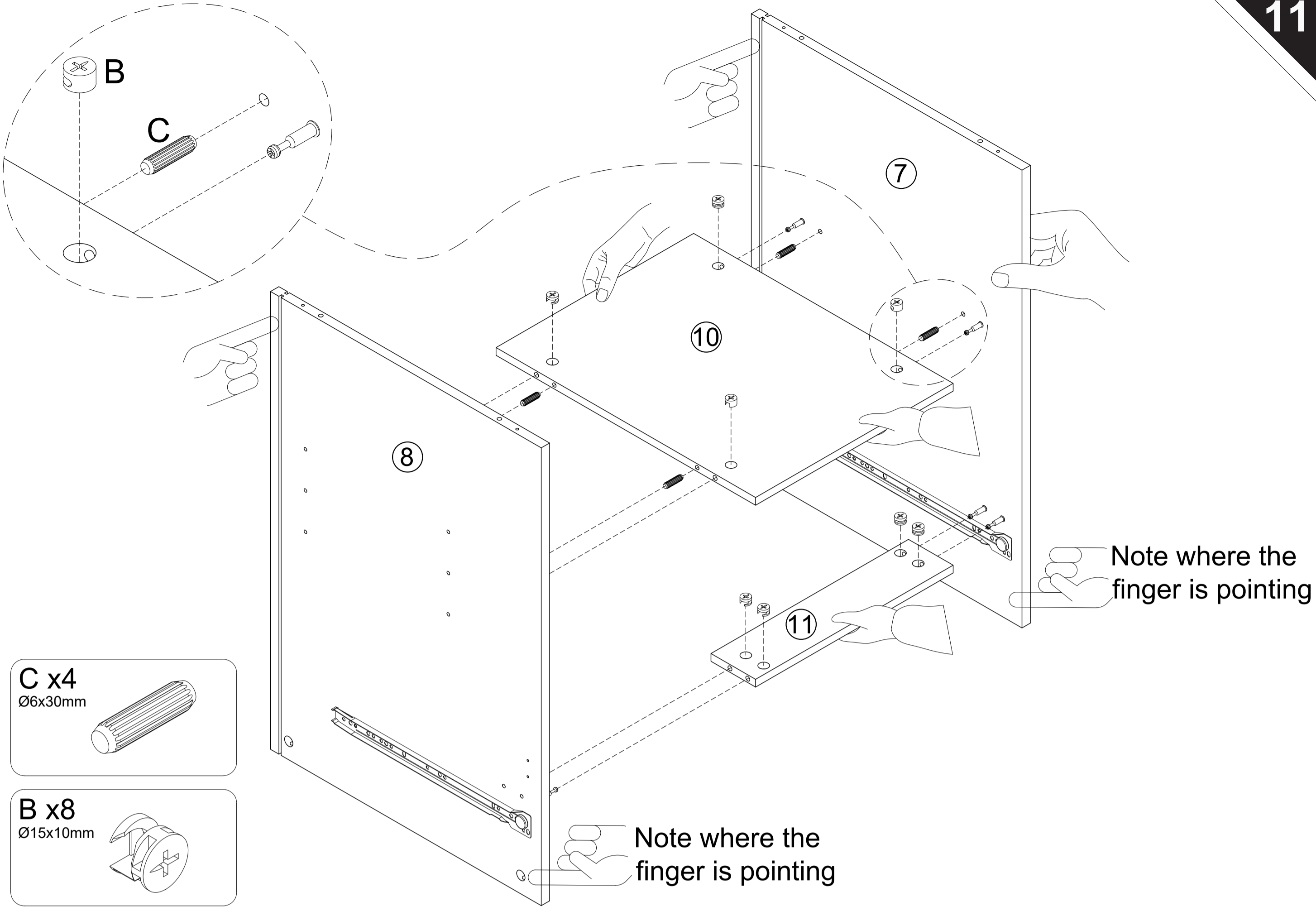
T	Q	S
3x12	3x16	3.5x14





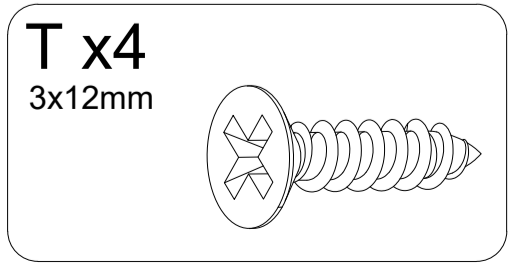
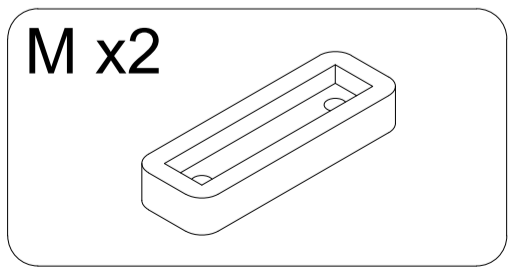
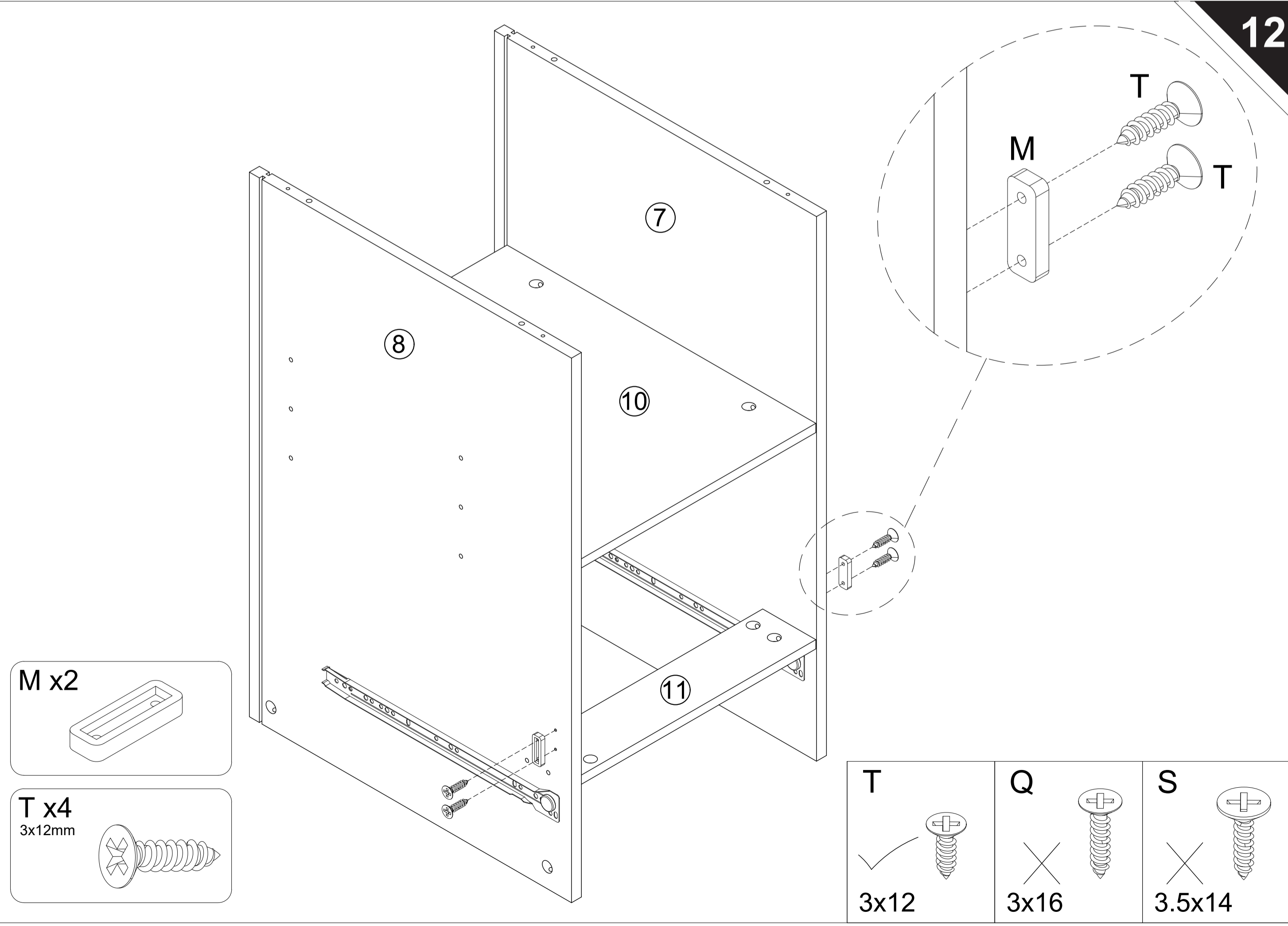
T ✓ 3x12	Q ✗ 3x16	S ✗ 3.5x14
----------------	----------------	------------------





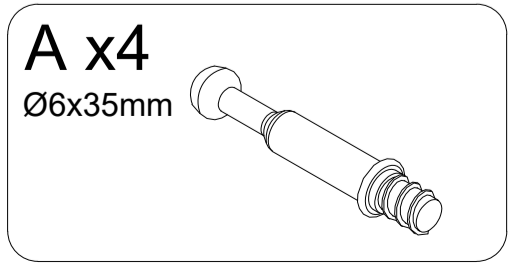
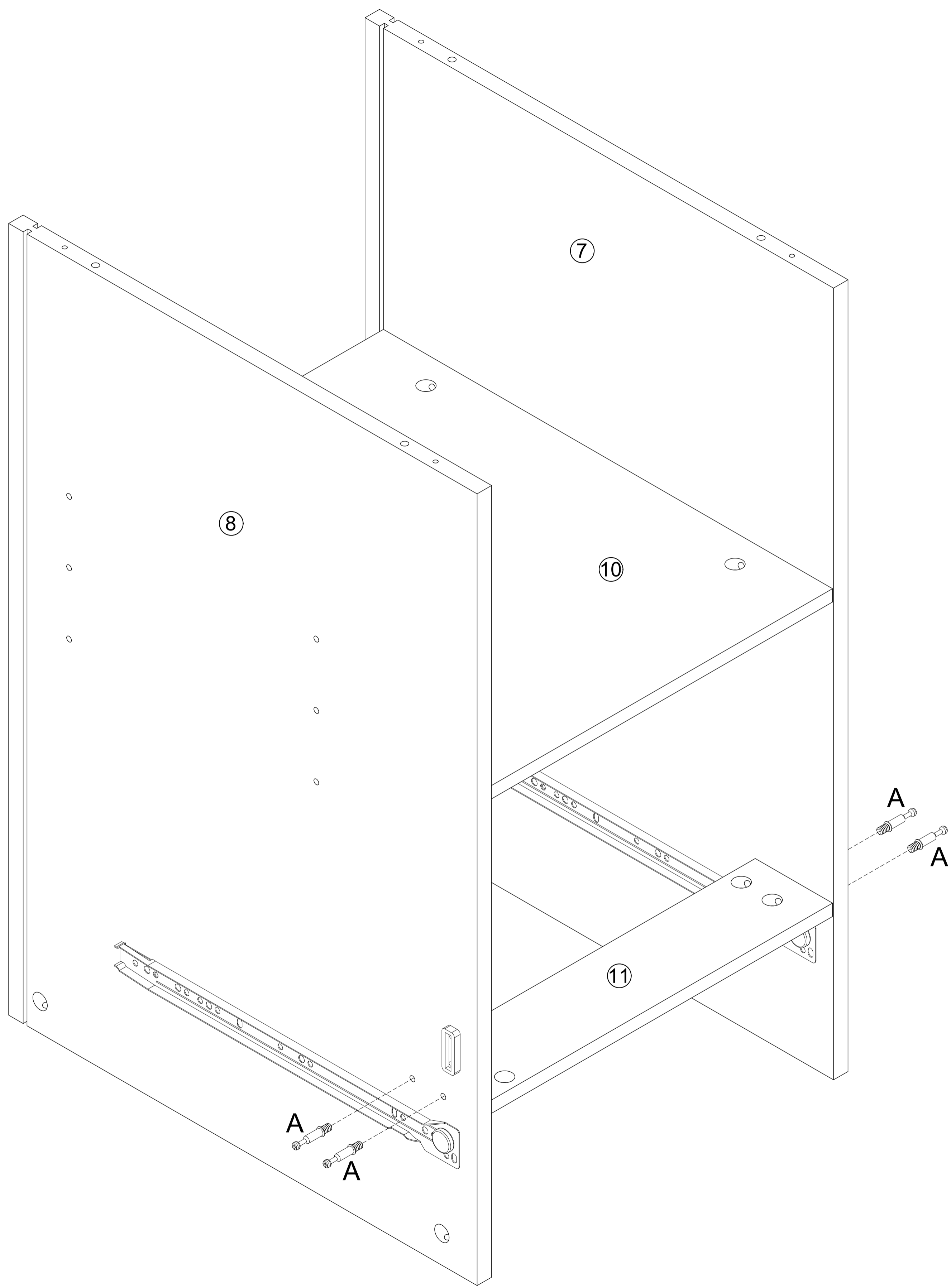
Note where the finger is pointing

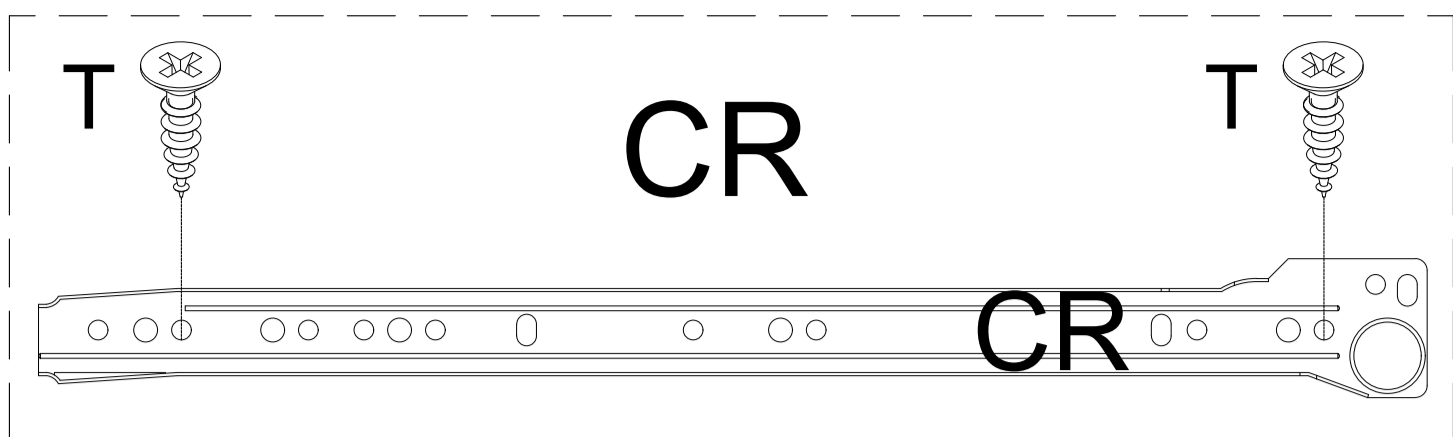
Note where the finger is pointing



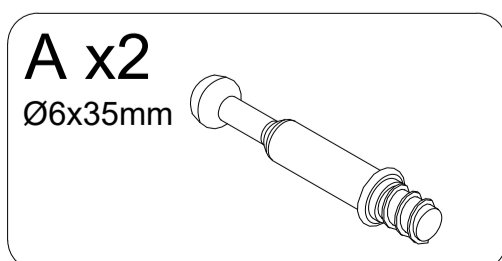
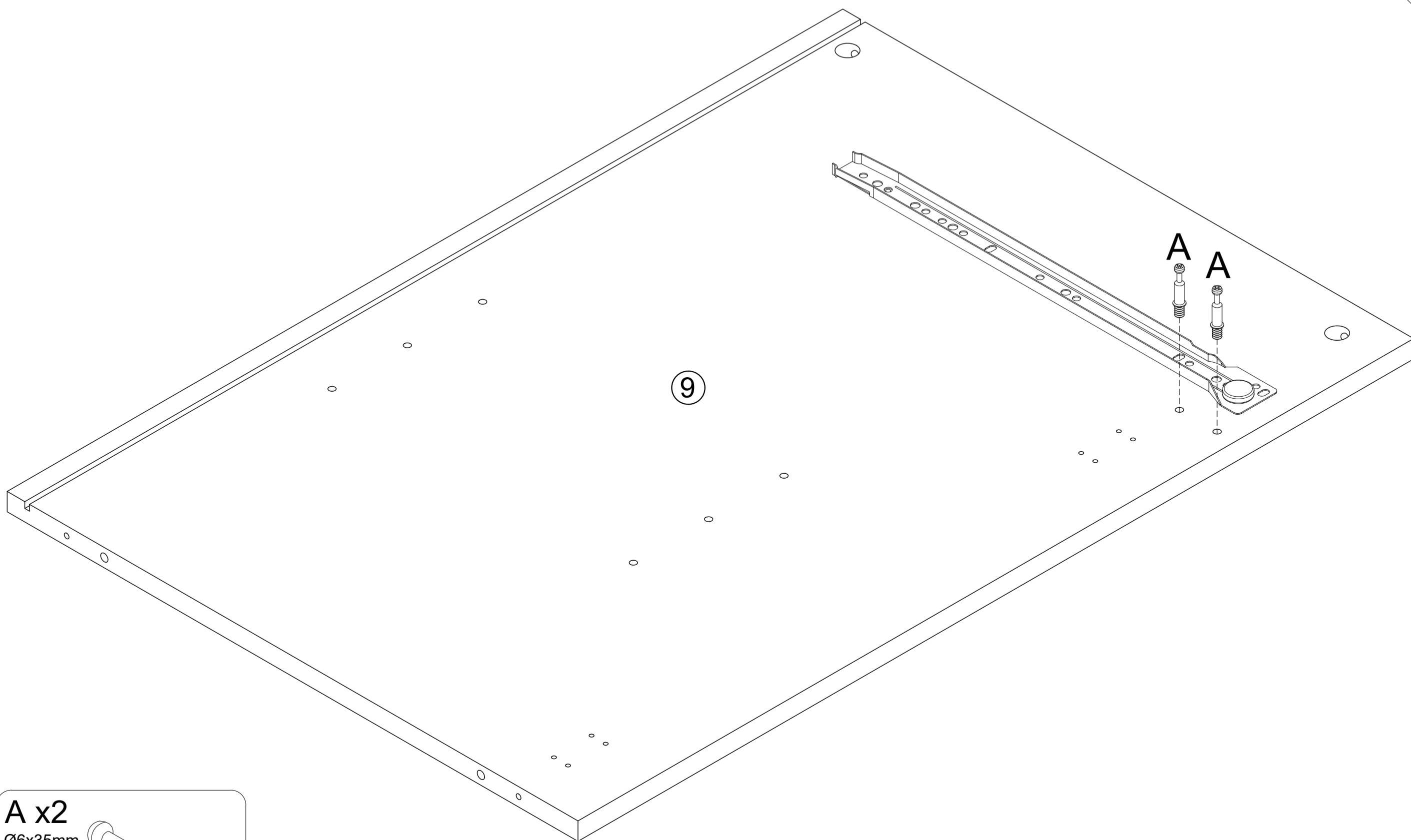
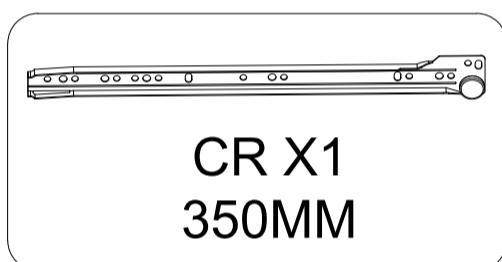
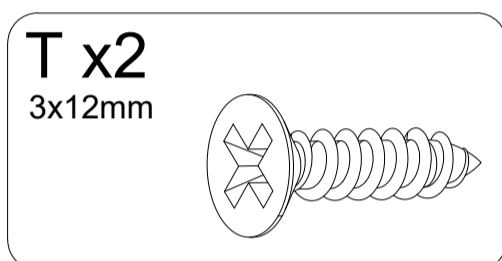
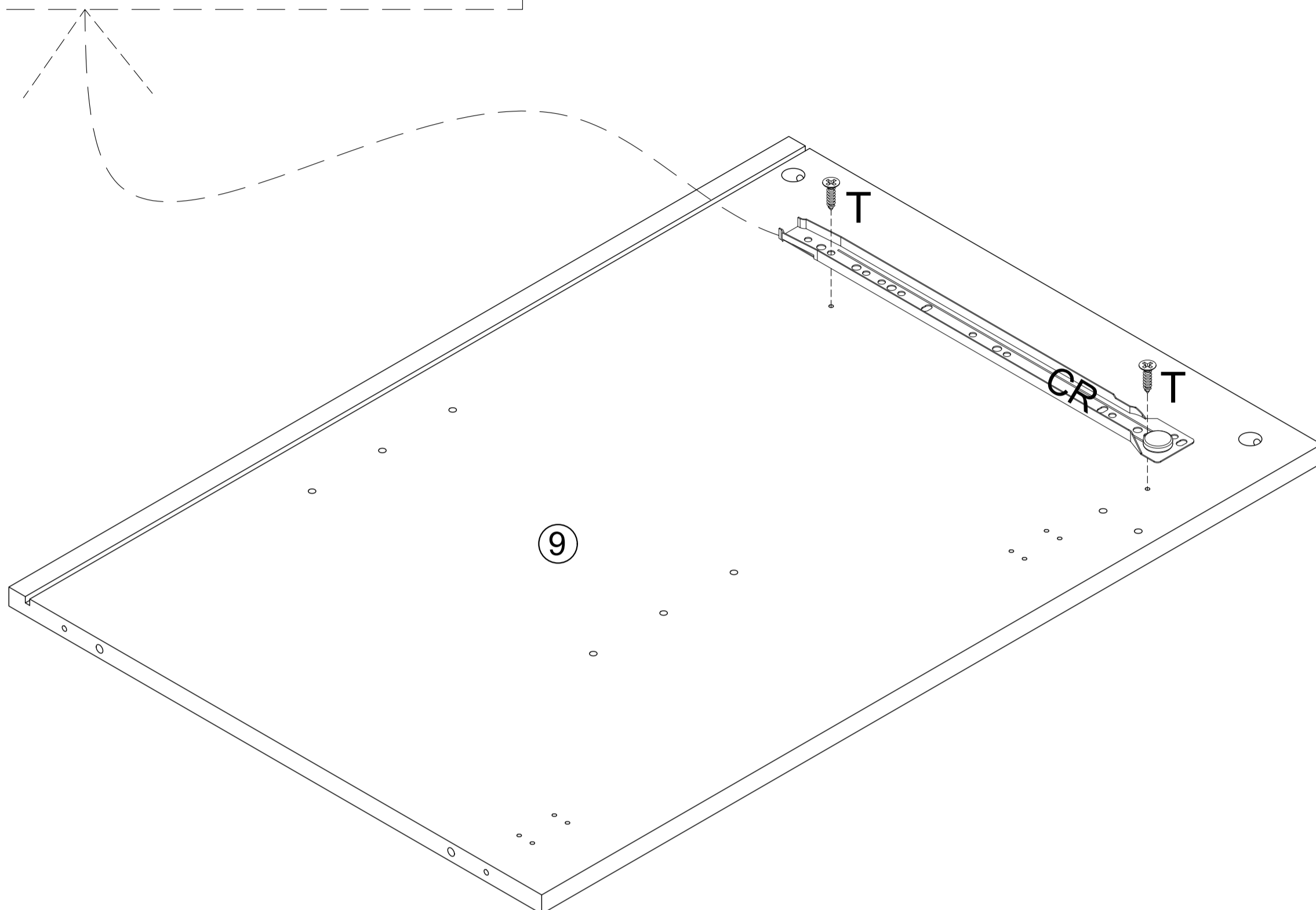
<b>T</b> ✓ 3x12	<b>Q</b> ✗ 3x16	<b>S</b> ✗ 3.5x14
-----------------------	-----------------------	-------------------------

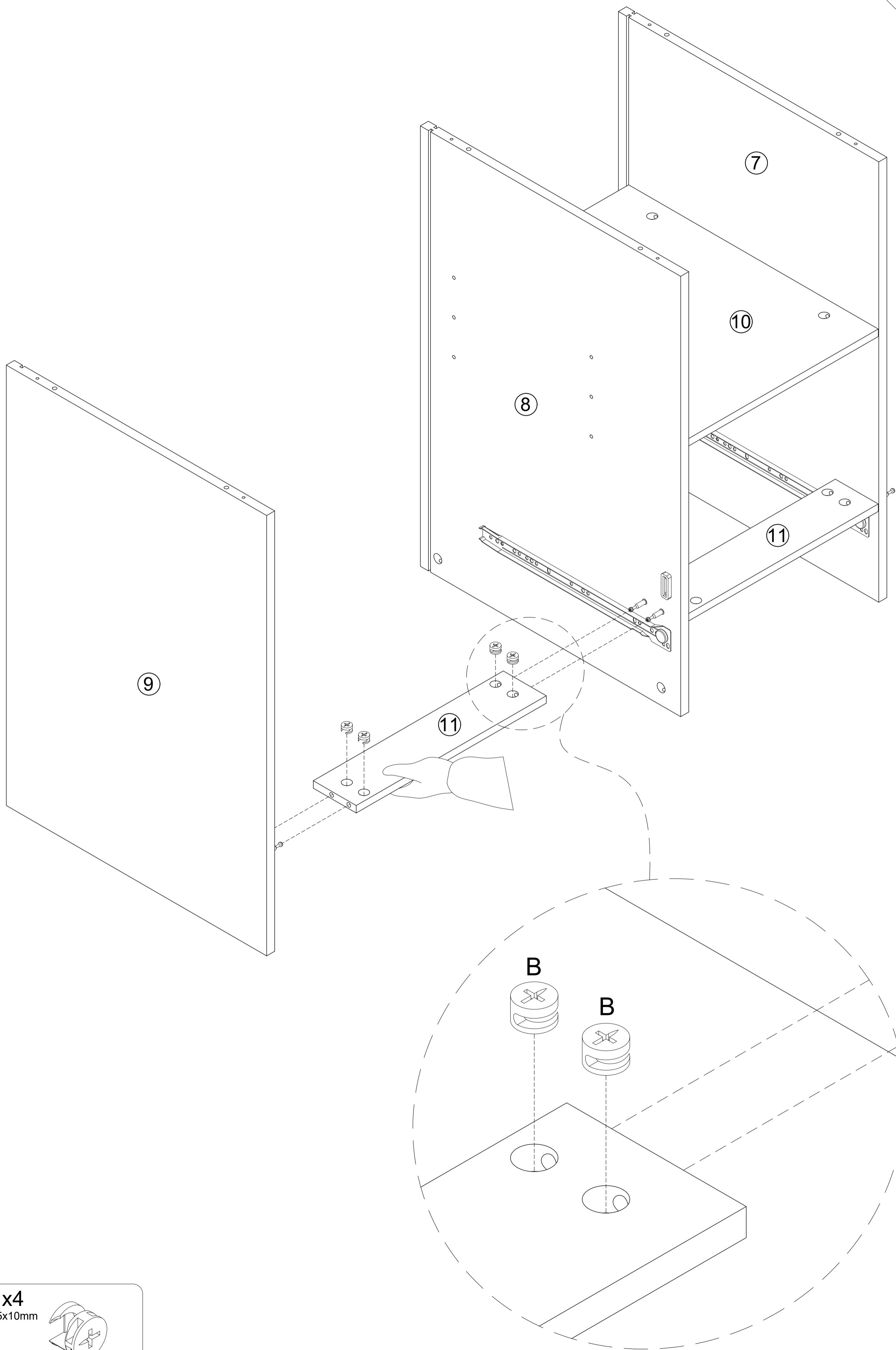






T	Q	S
3x12	3x16	3.5x14



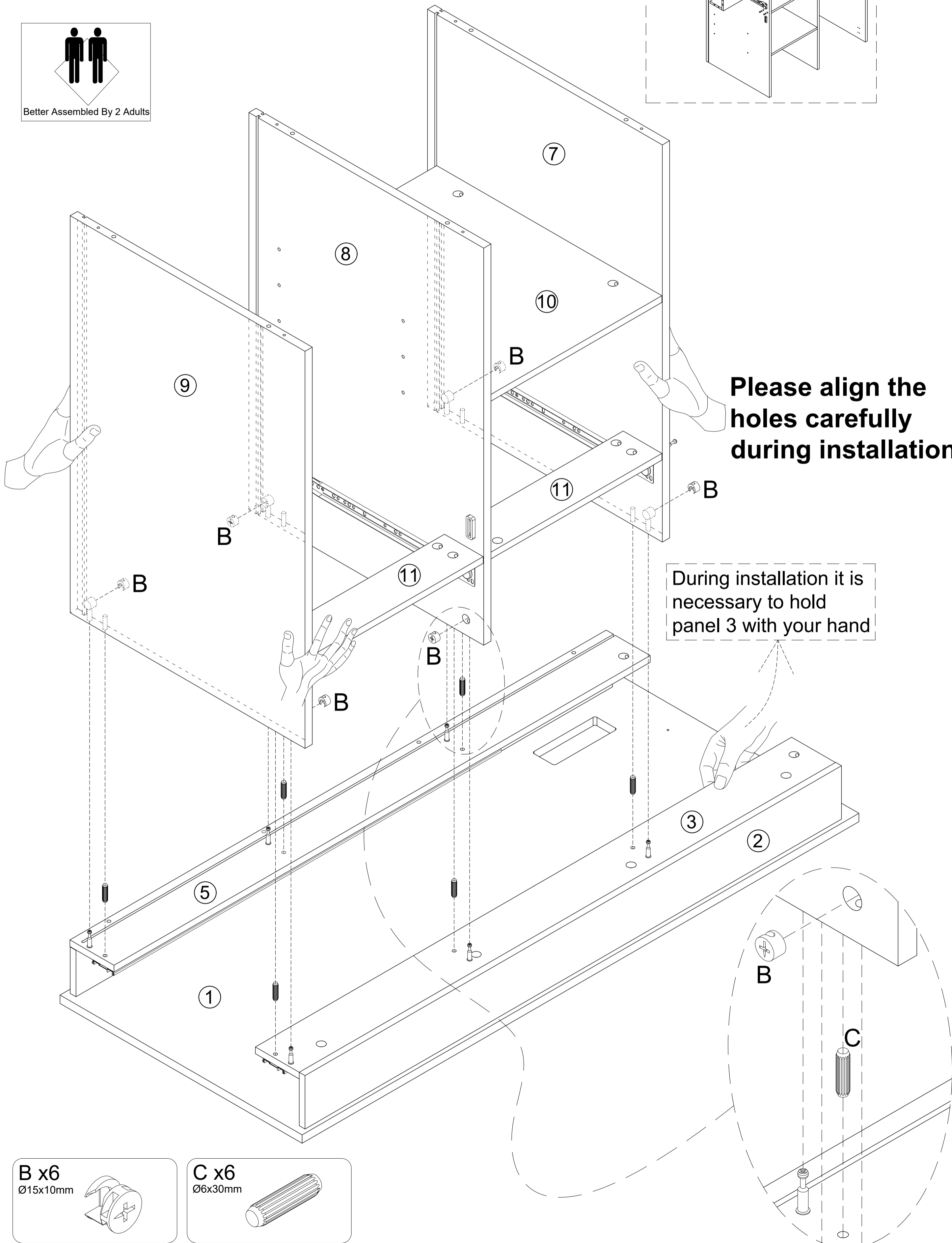
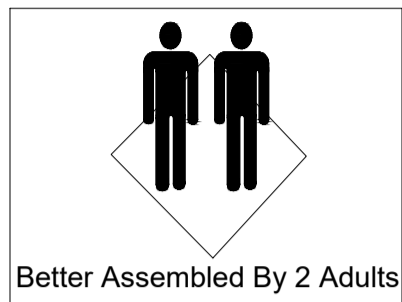
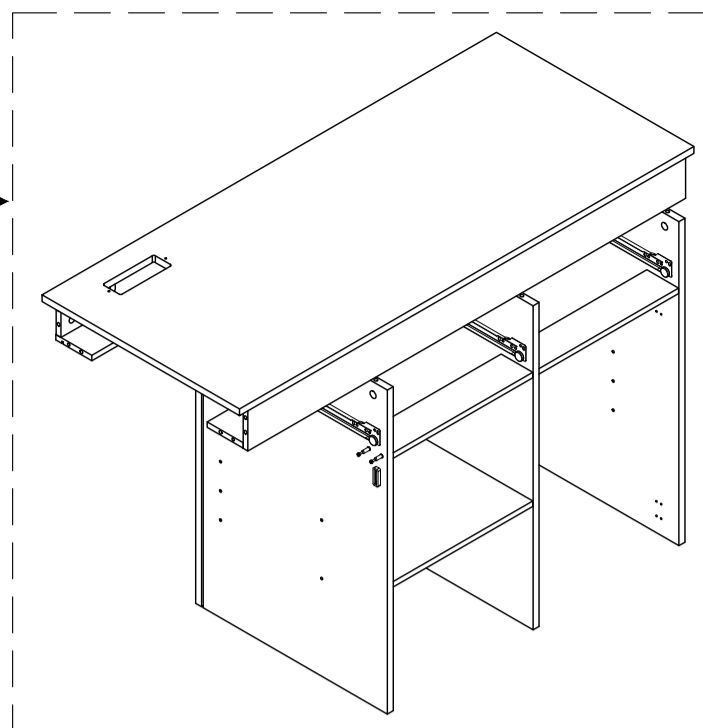
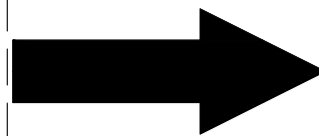


**B x4**  
Ø15x10mm



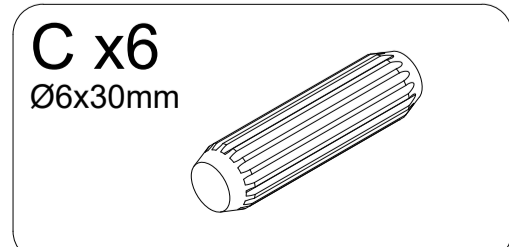
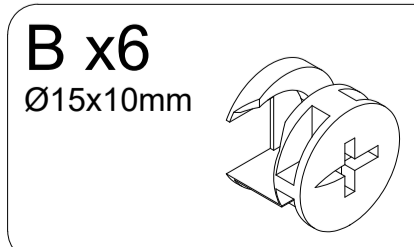
### Friendly Reminder

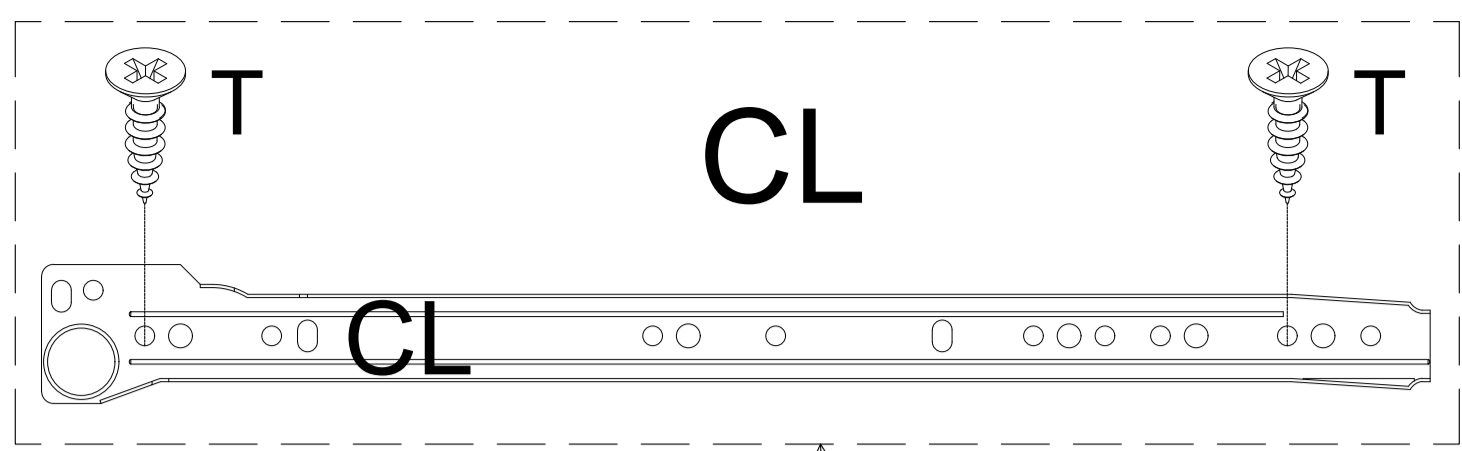
If installation is difficult, please install vertically as shown in the diagram  
After installation, flip it over



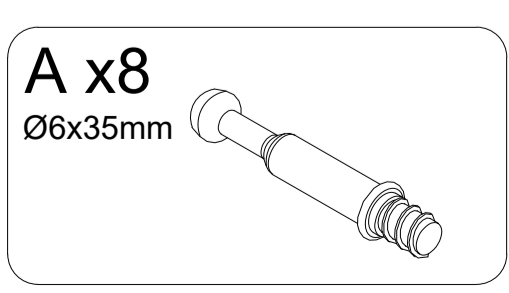
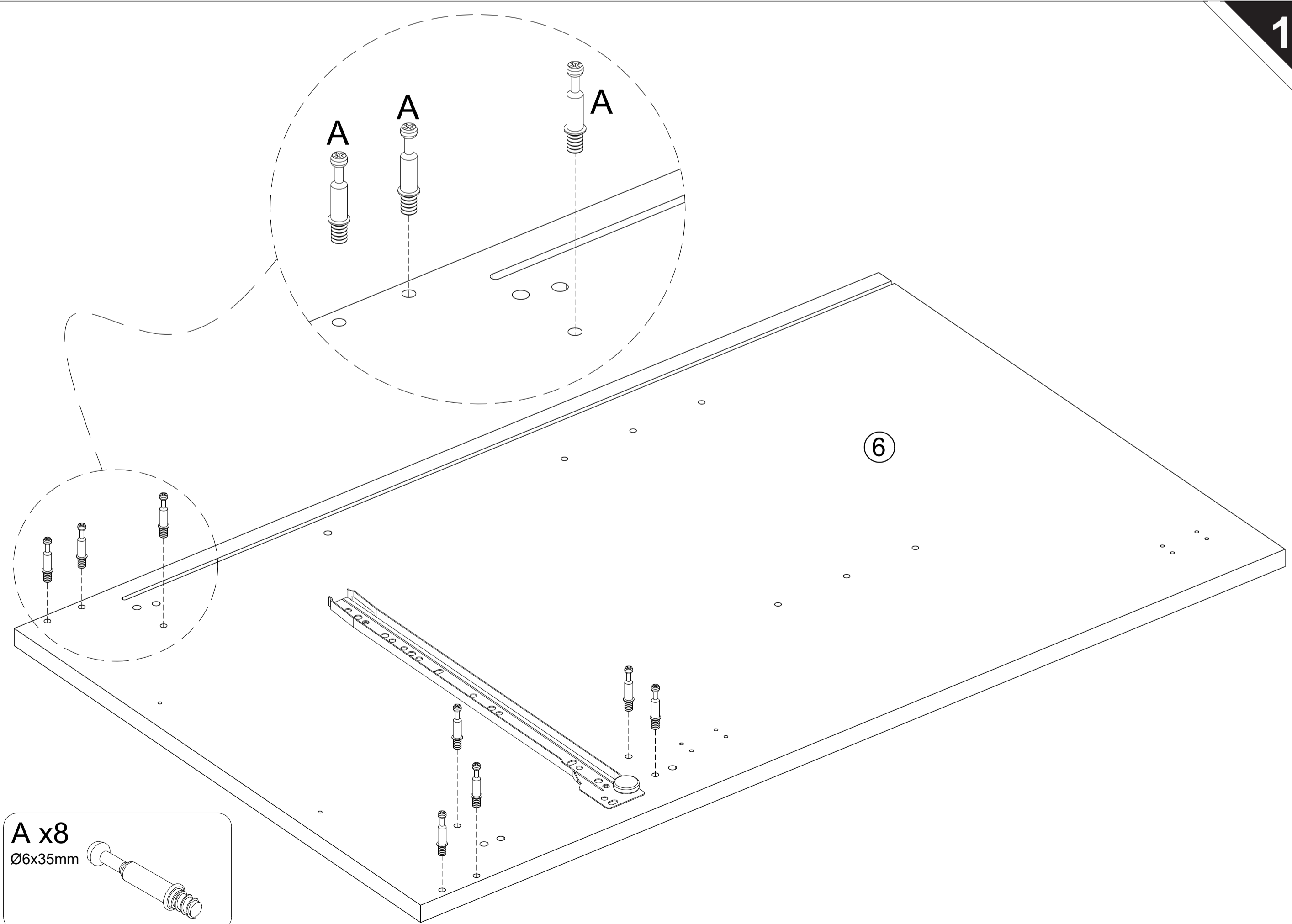
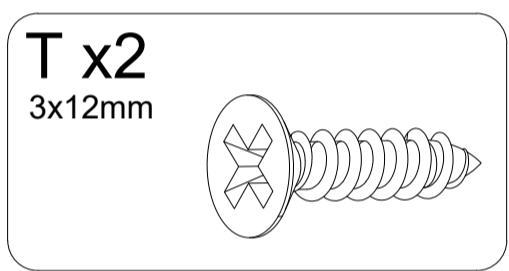
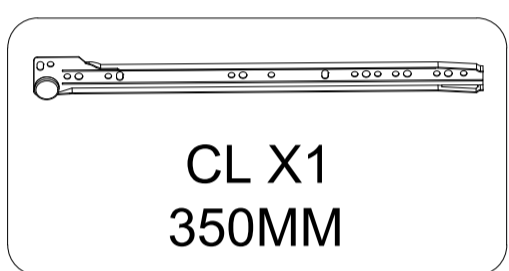
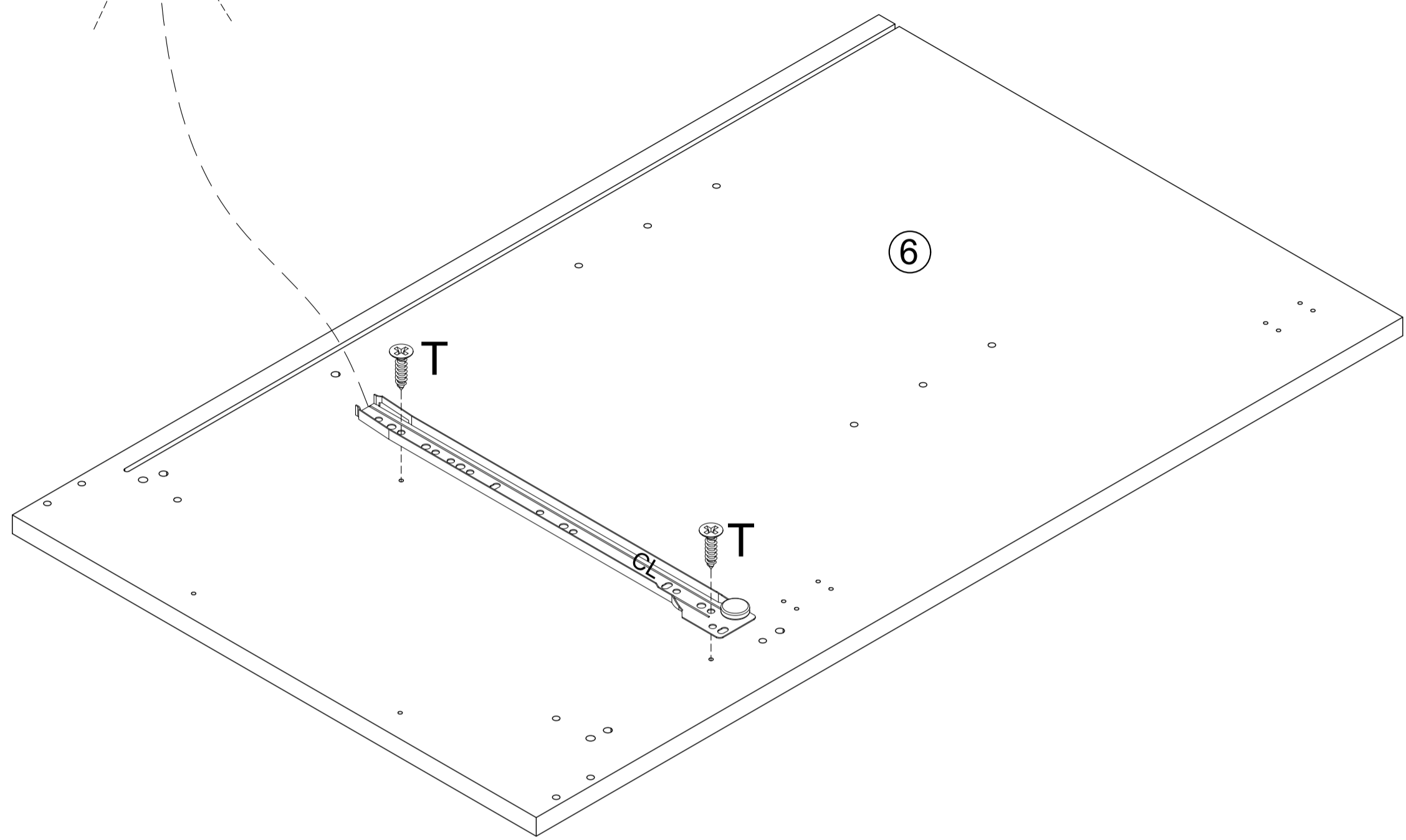
Please align the holes carefully during installation

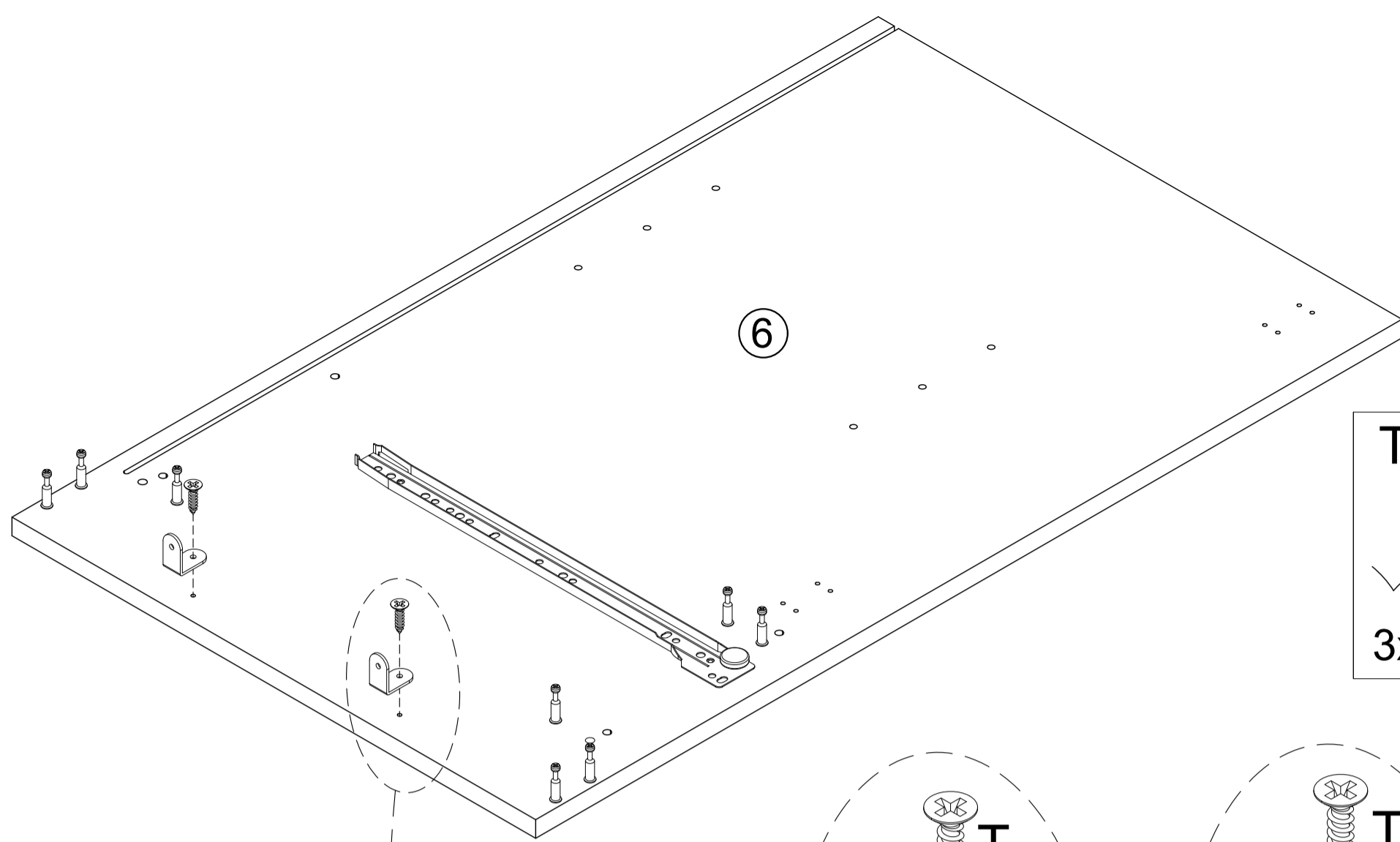
During installation it is necessary to hold panel 3 with your hand



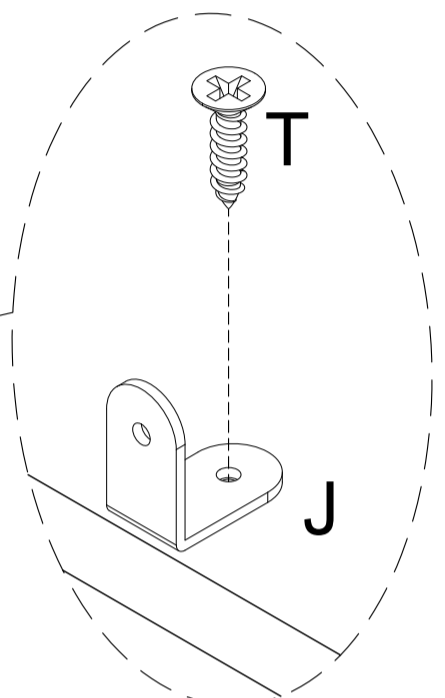
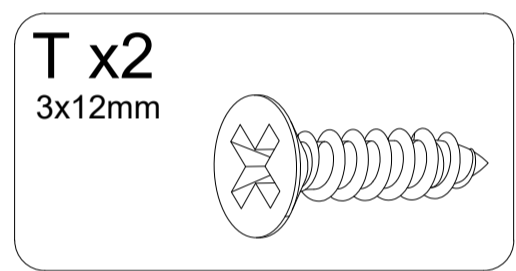
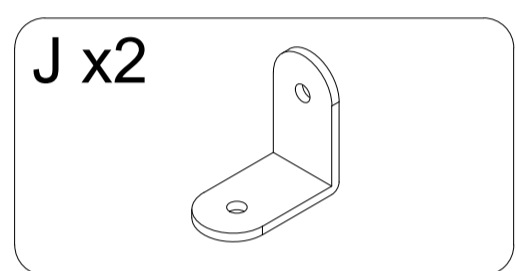


T	Q	S
3x12	3x16	3.5x14

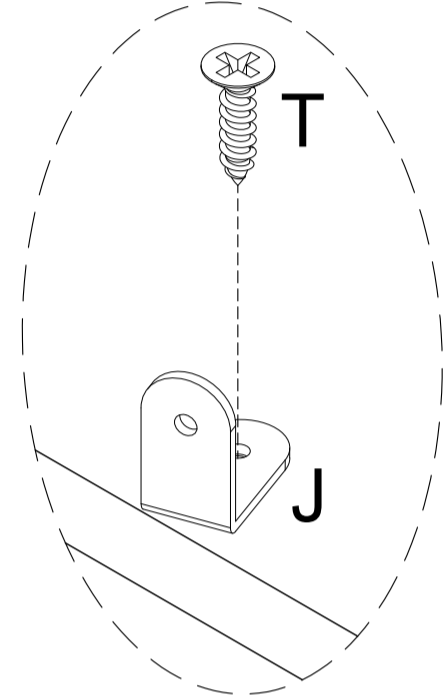




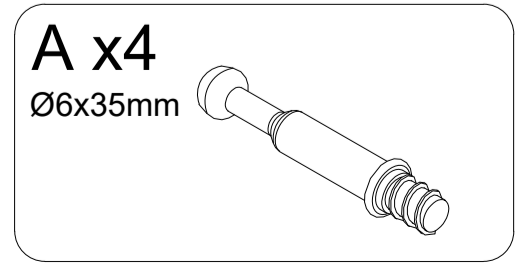
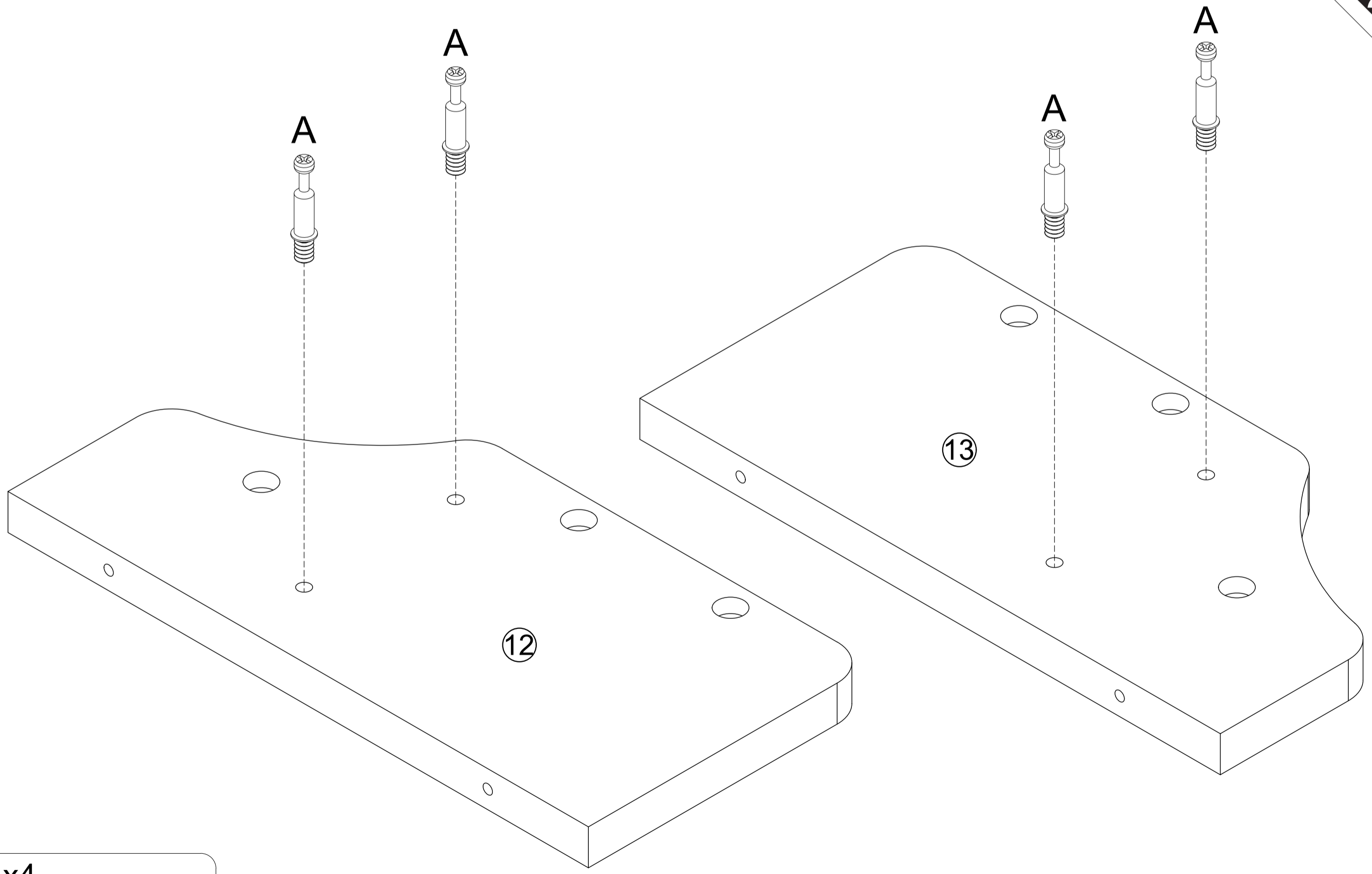
<b>T</b> ✓ 3x12	<b>Q</b> ✗ 3x16	<b>S</b> ✗ 3.5x14
-----------------------	-----------------------	-------------------------

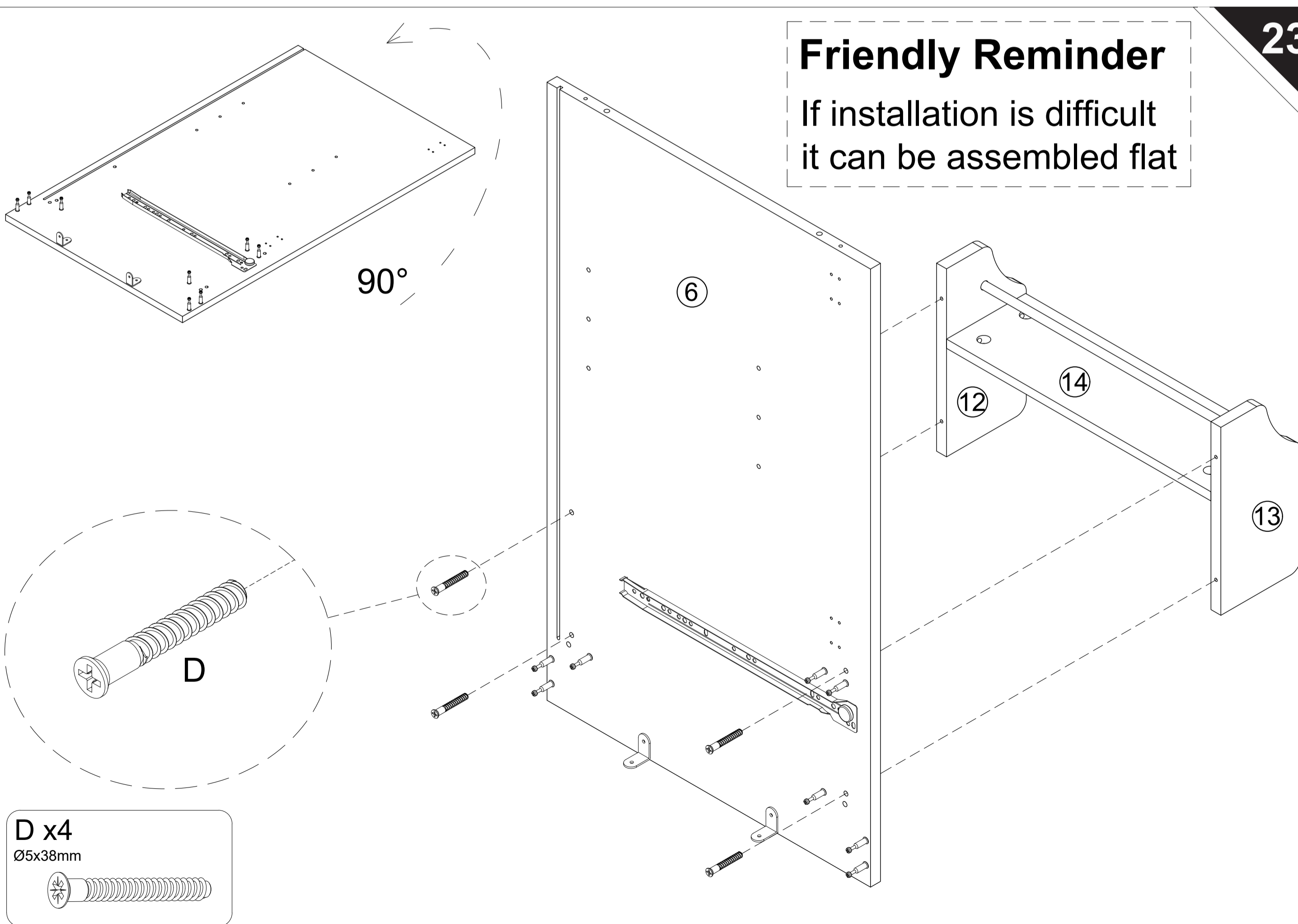
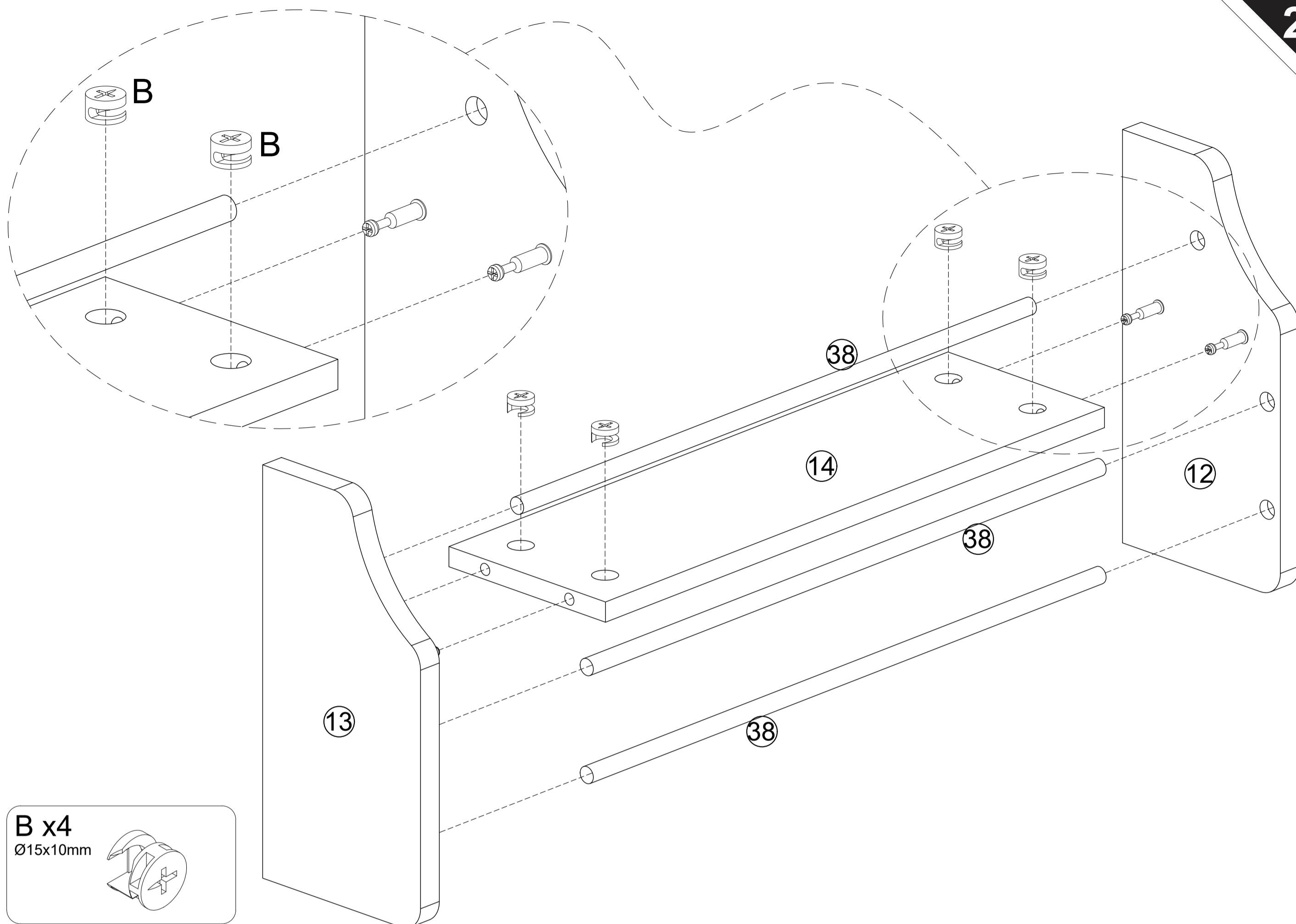


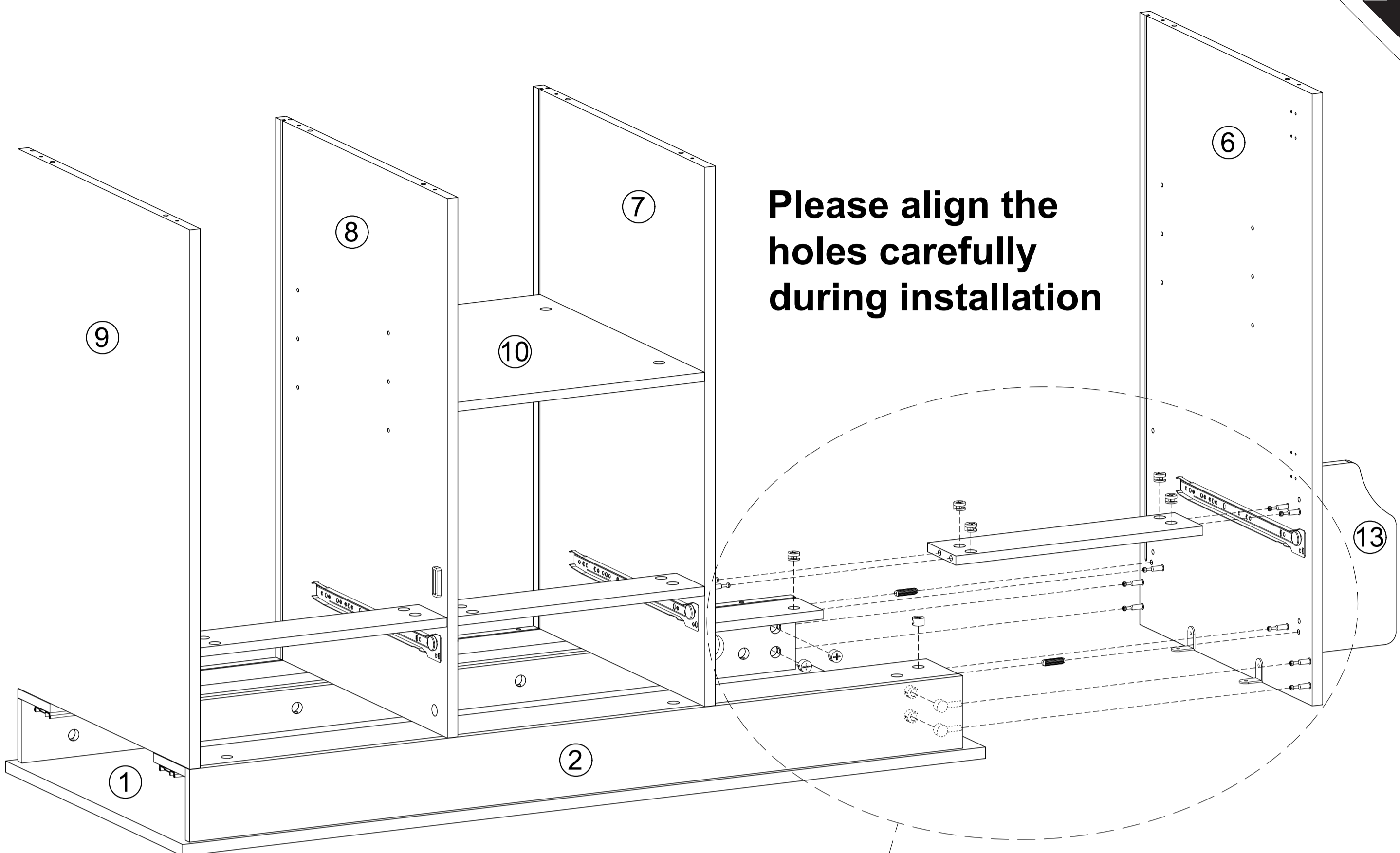
correct



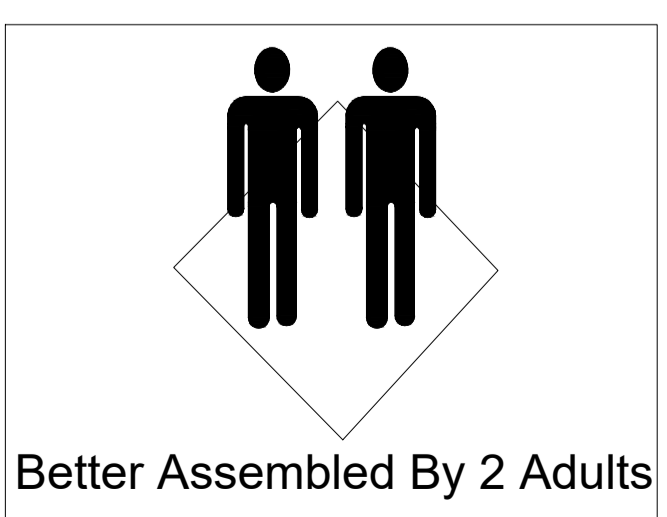
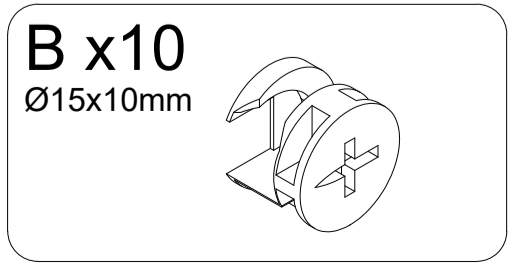
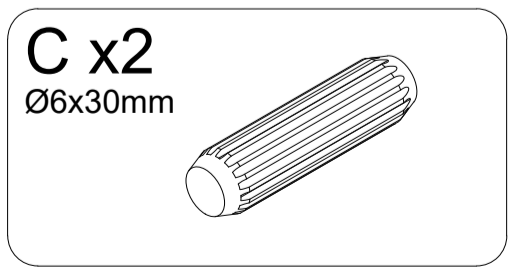
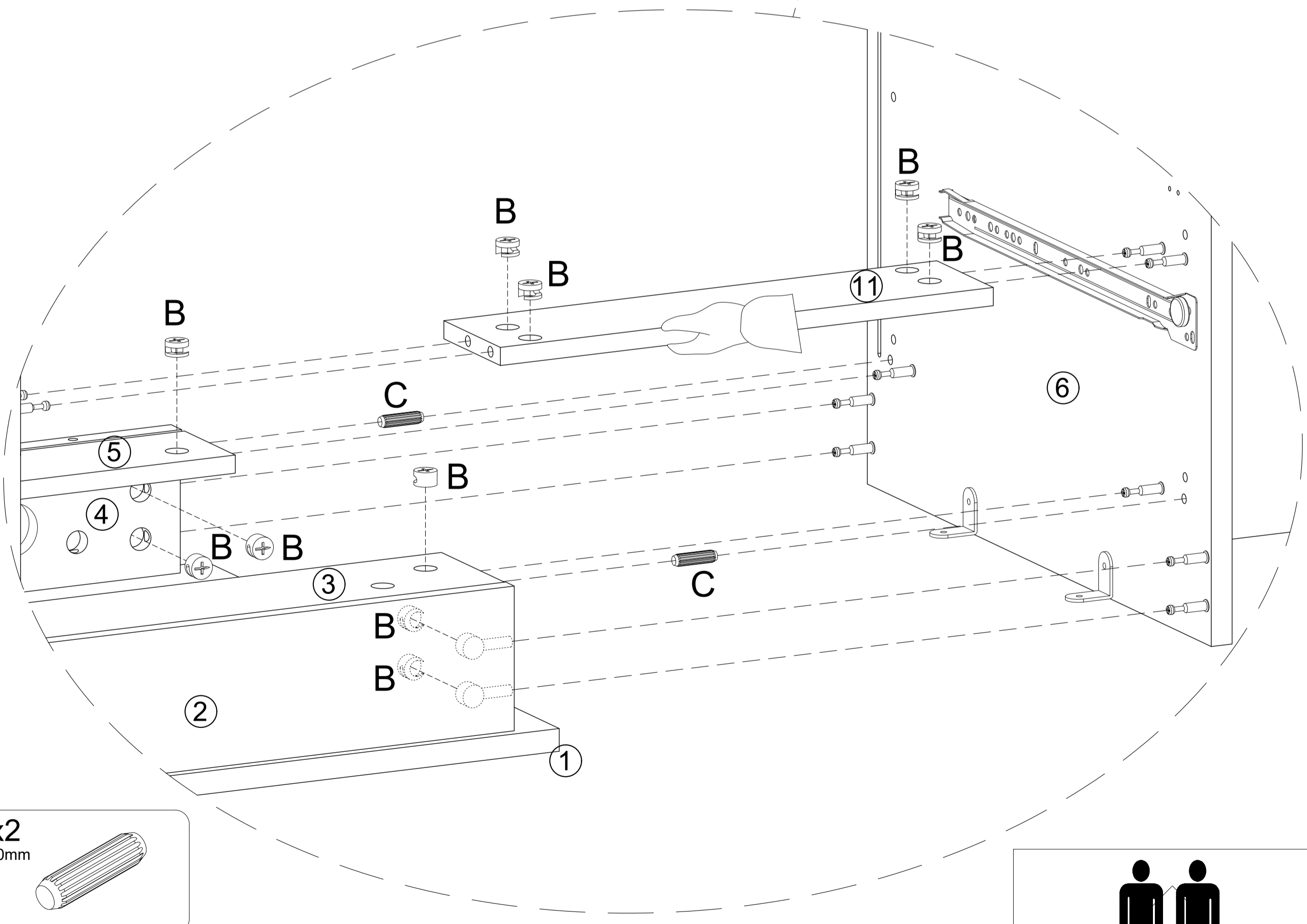
wrong



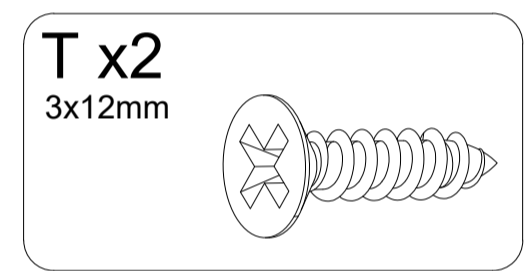
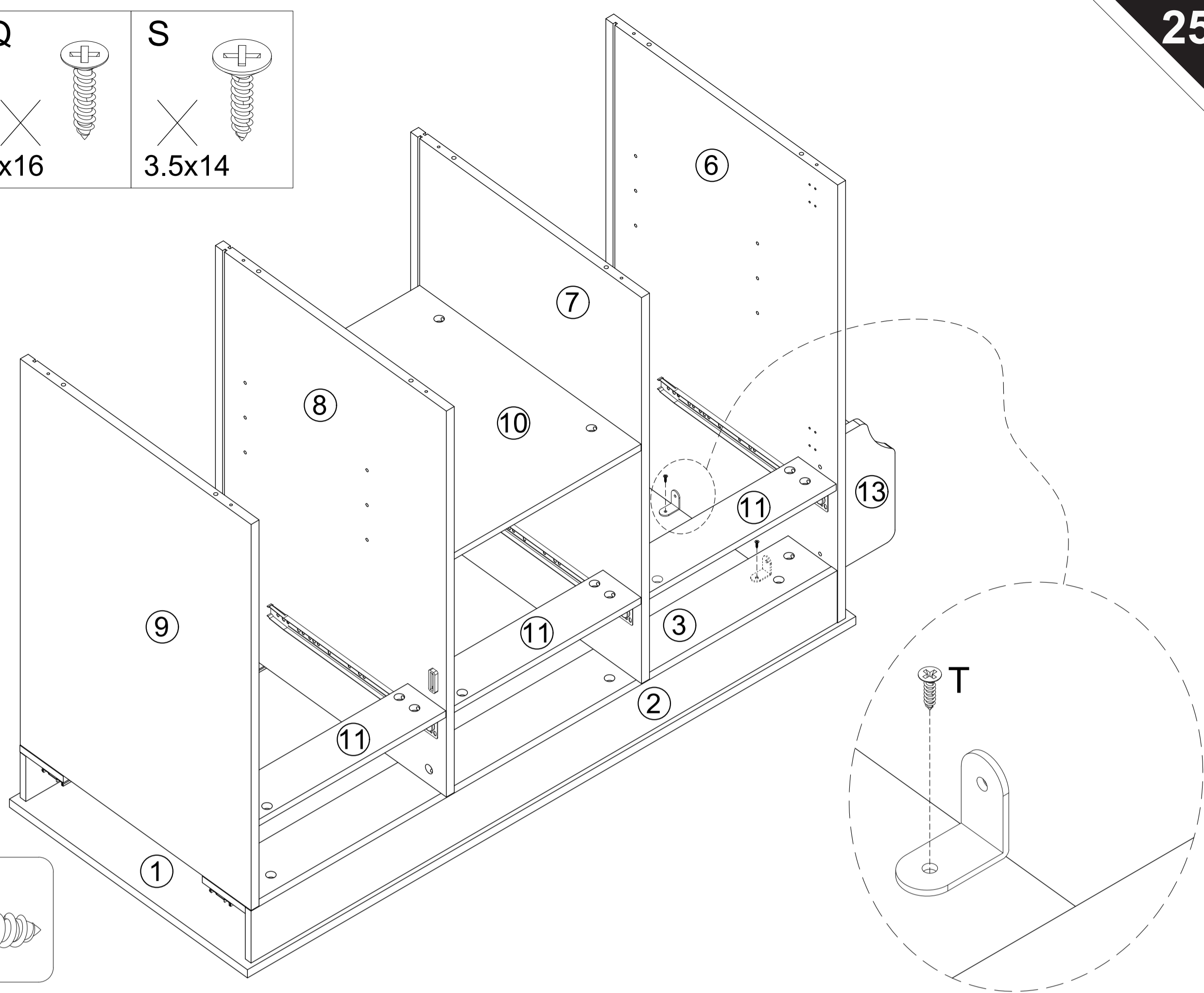
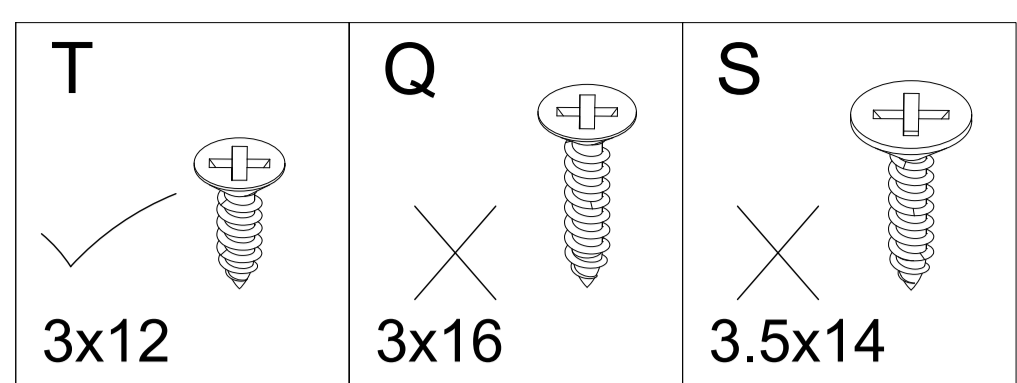




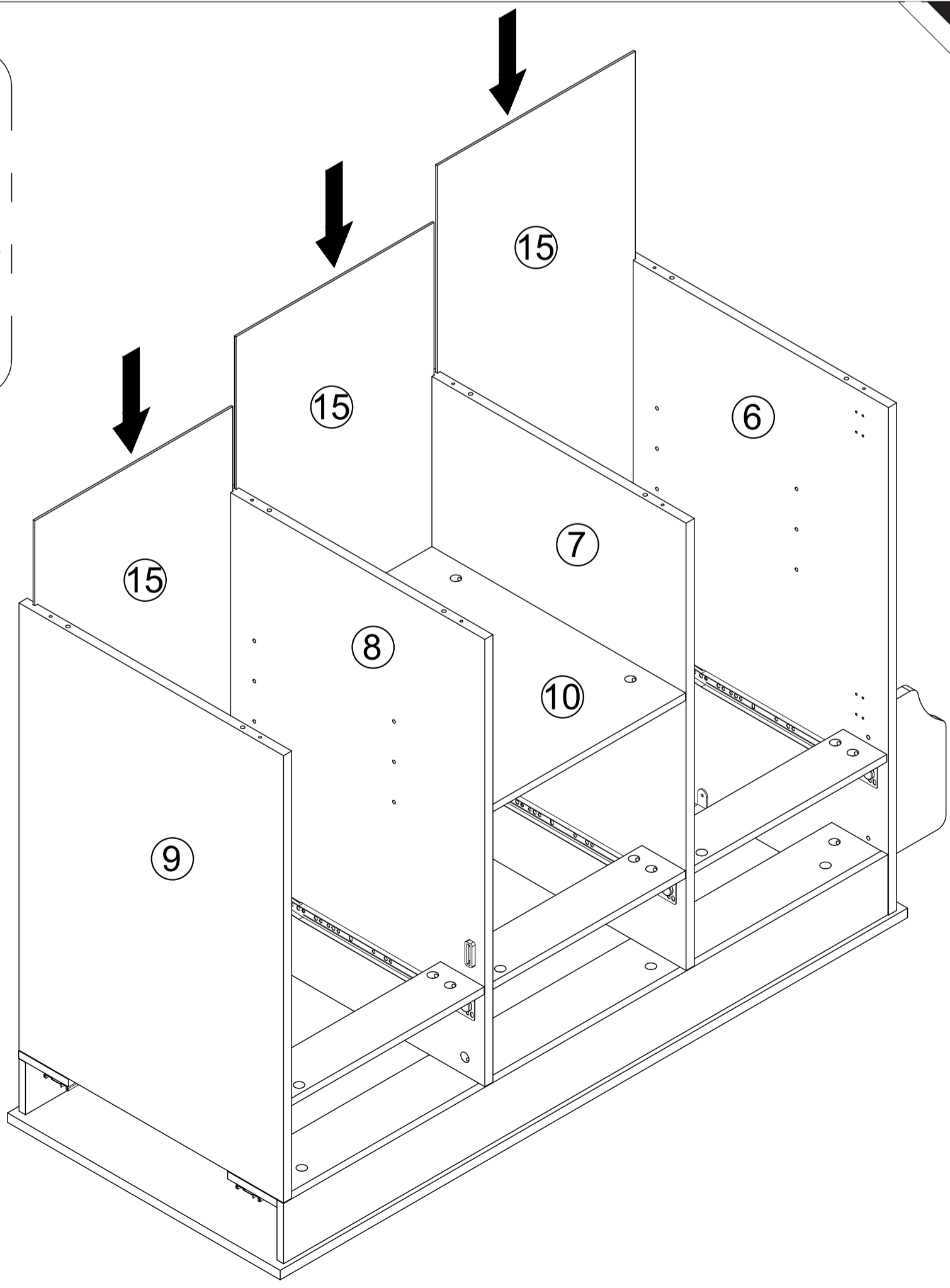
Please align the holes carefully during installation

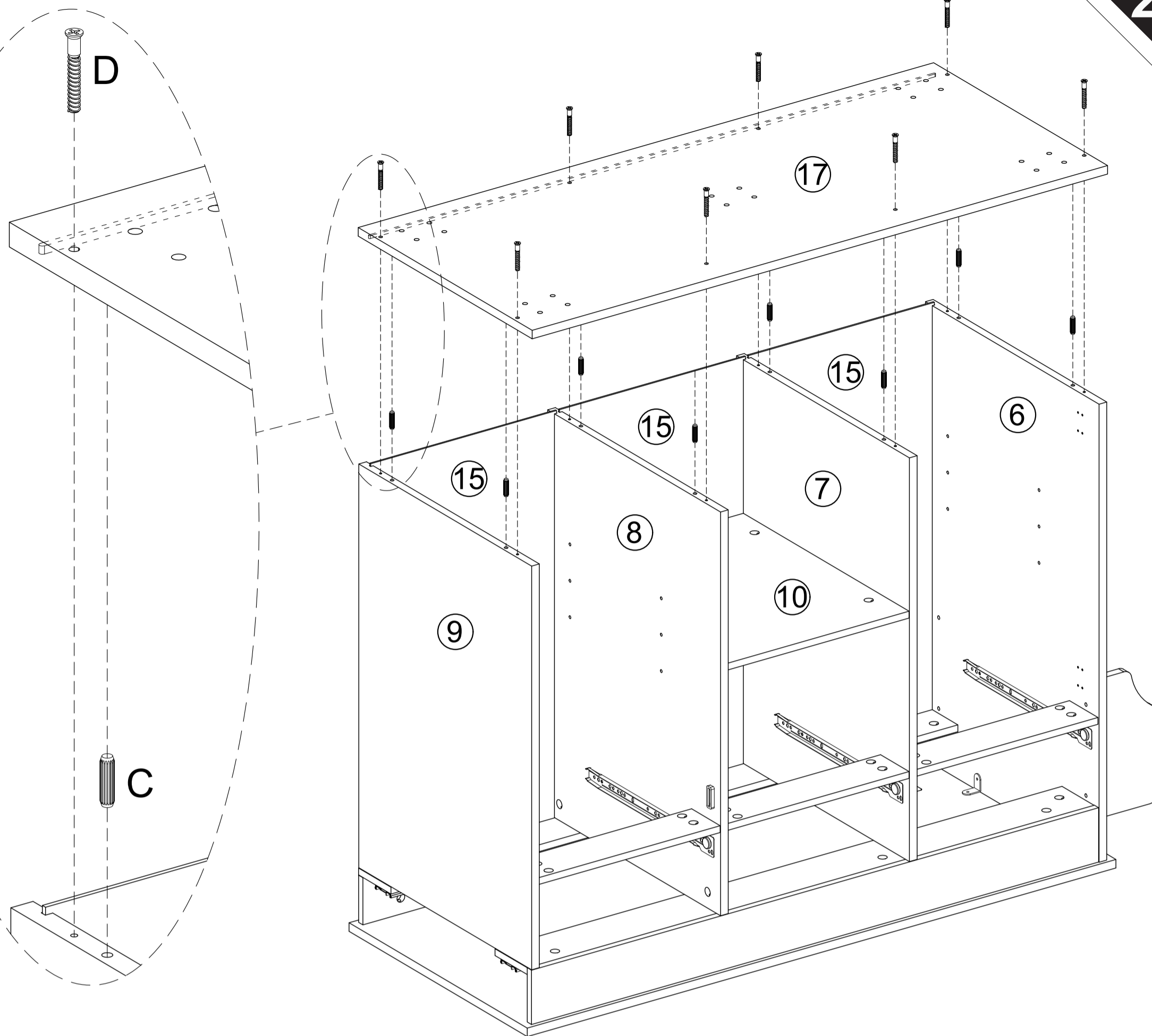




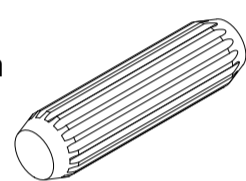


The thin plate needs to be fully inserted into the groove. If the insertion is not smooth, you can try pressing from the front or the back to make adjustments until the thin plate is fully inserted into the groove.

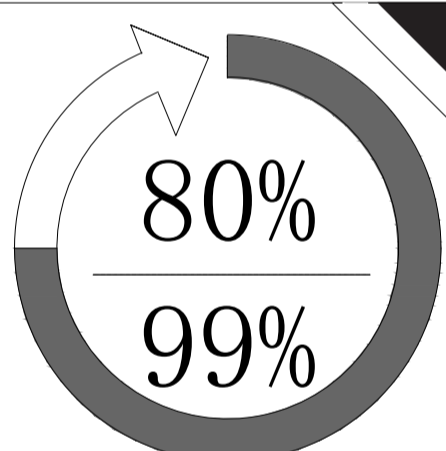
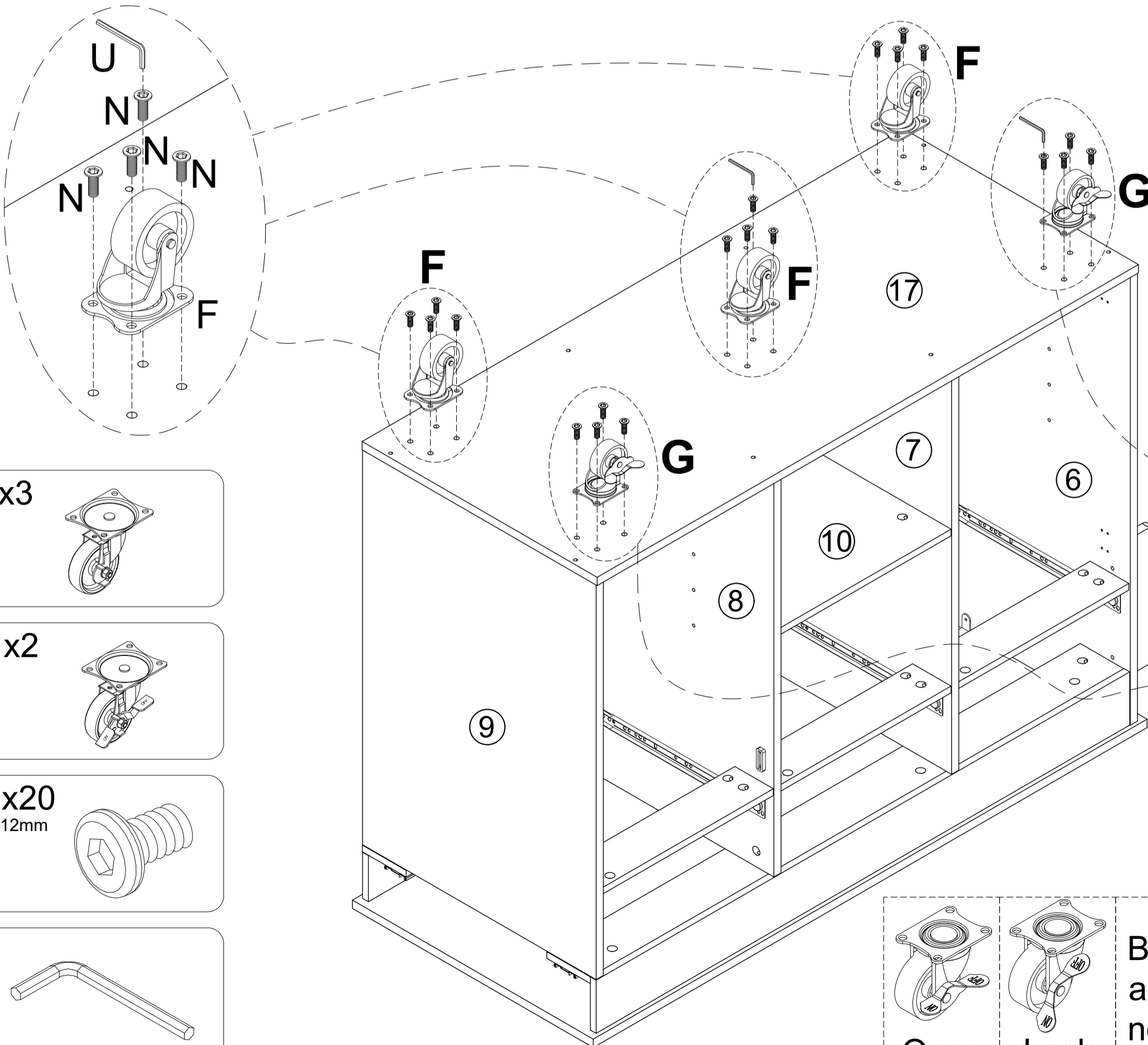
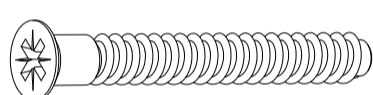




C x8  
Ø6x30mm

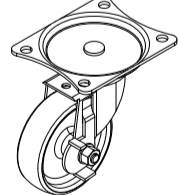


D x8  
Ø5x38mm

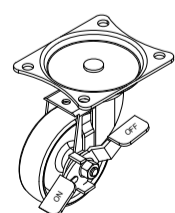


First lock all screw installations by 80%, then lock uniformly by 99%

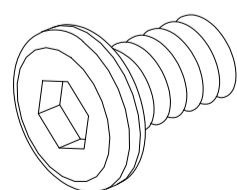
F x3



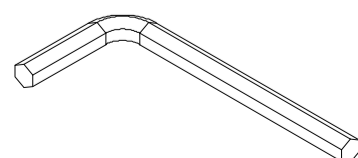
G x2



N x20  
M6x12mm



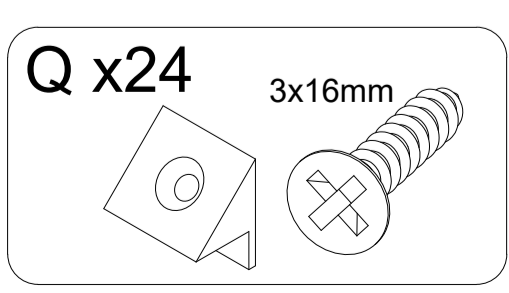
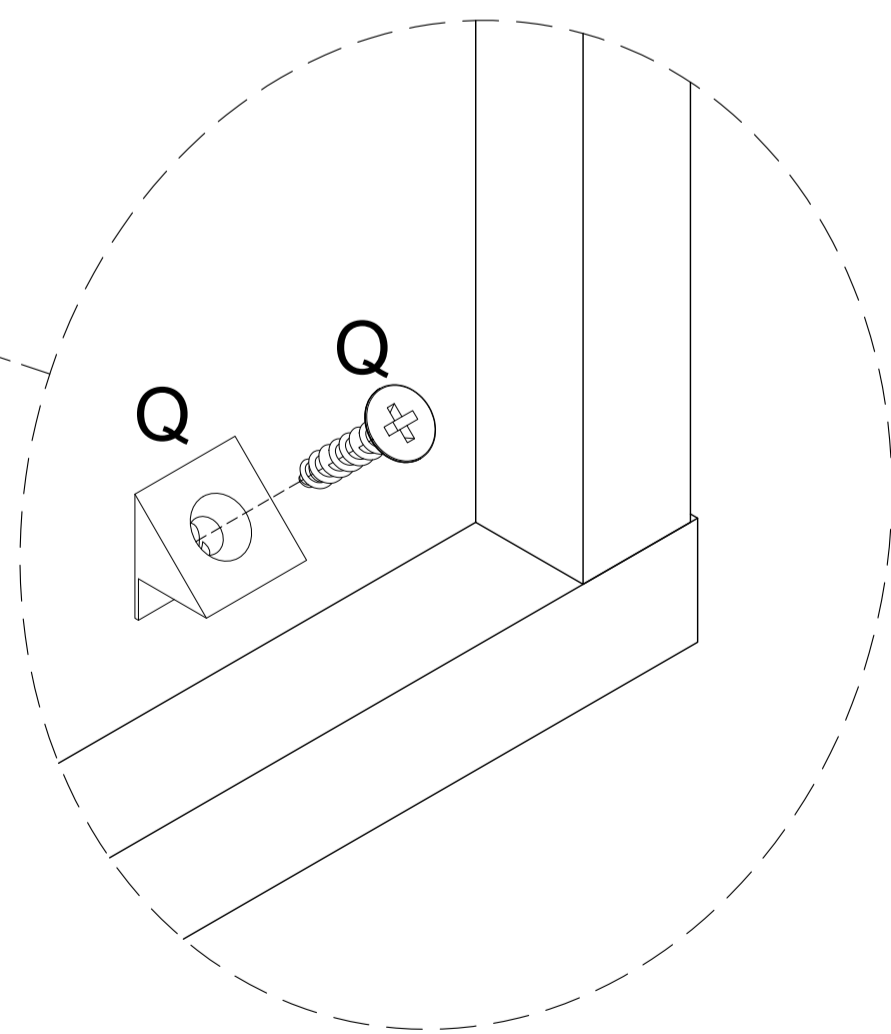
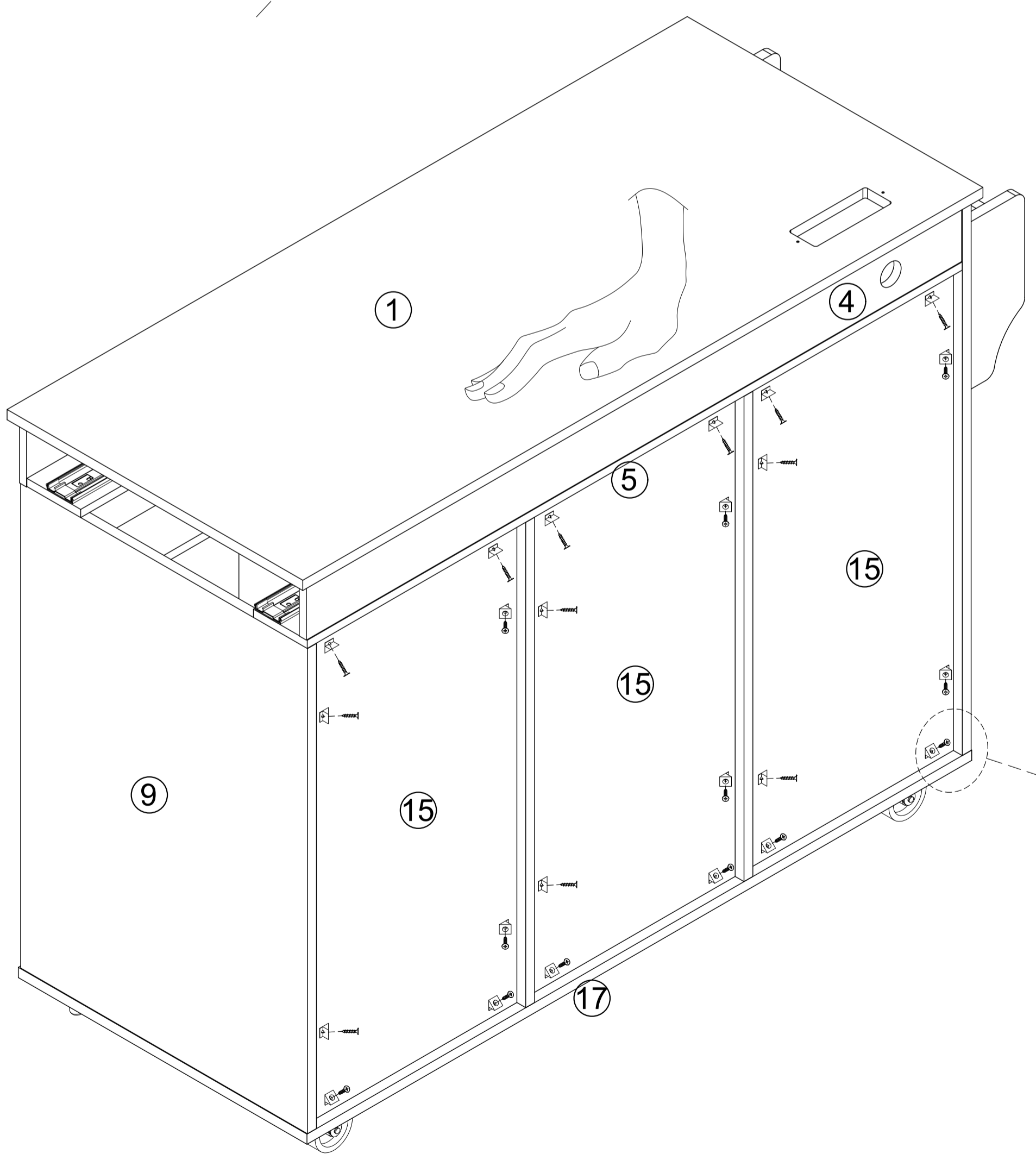
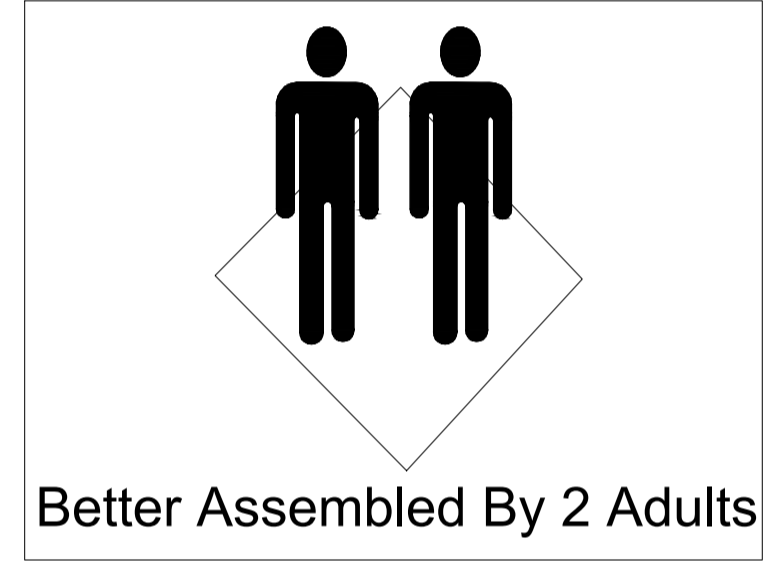
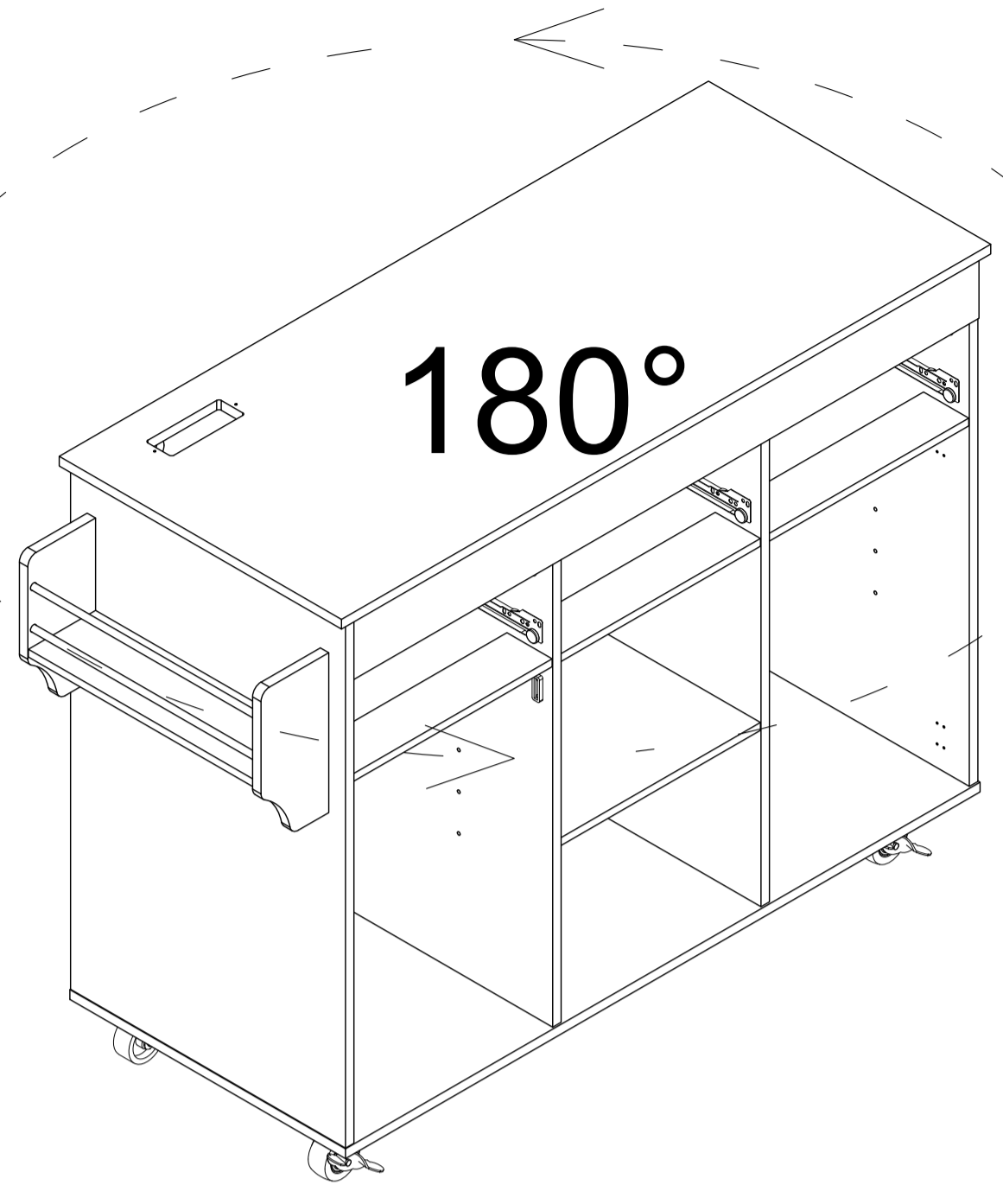
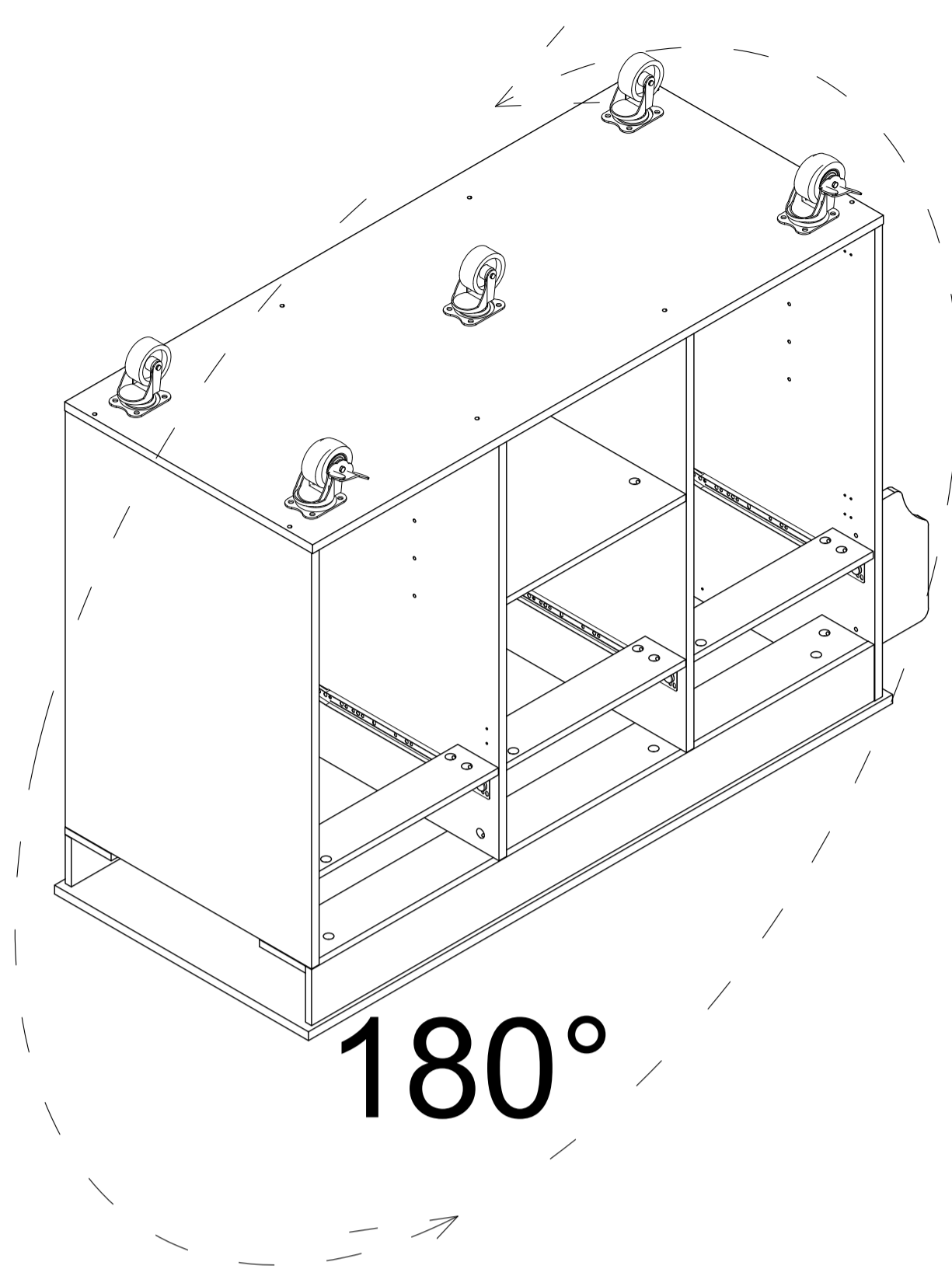
U



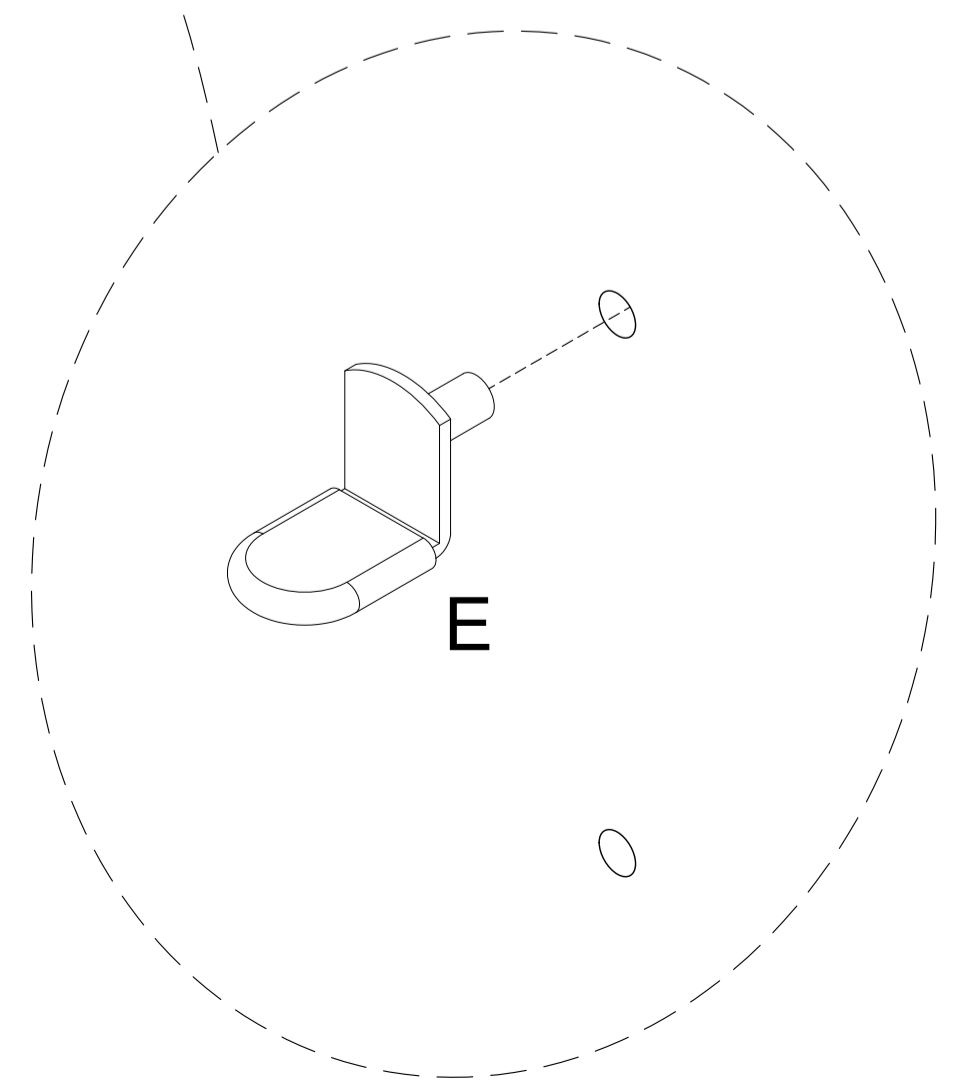
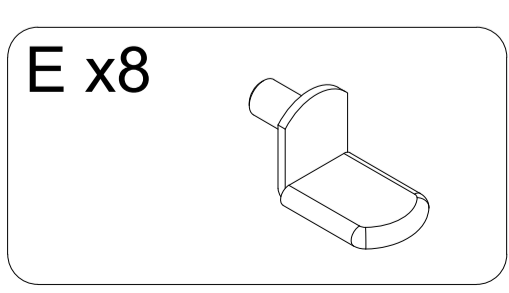
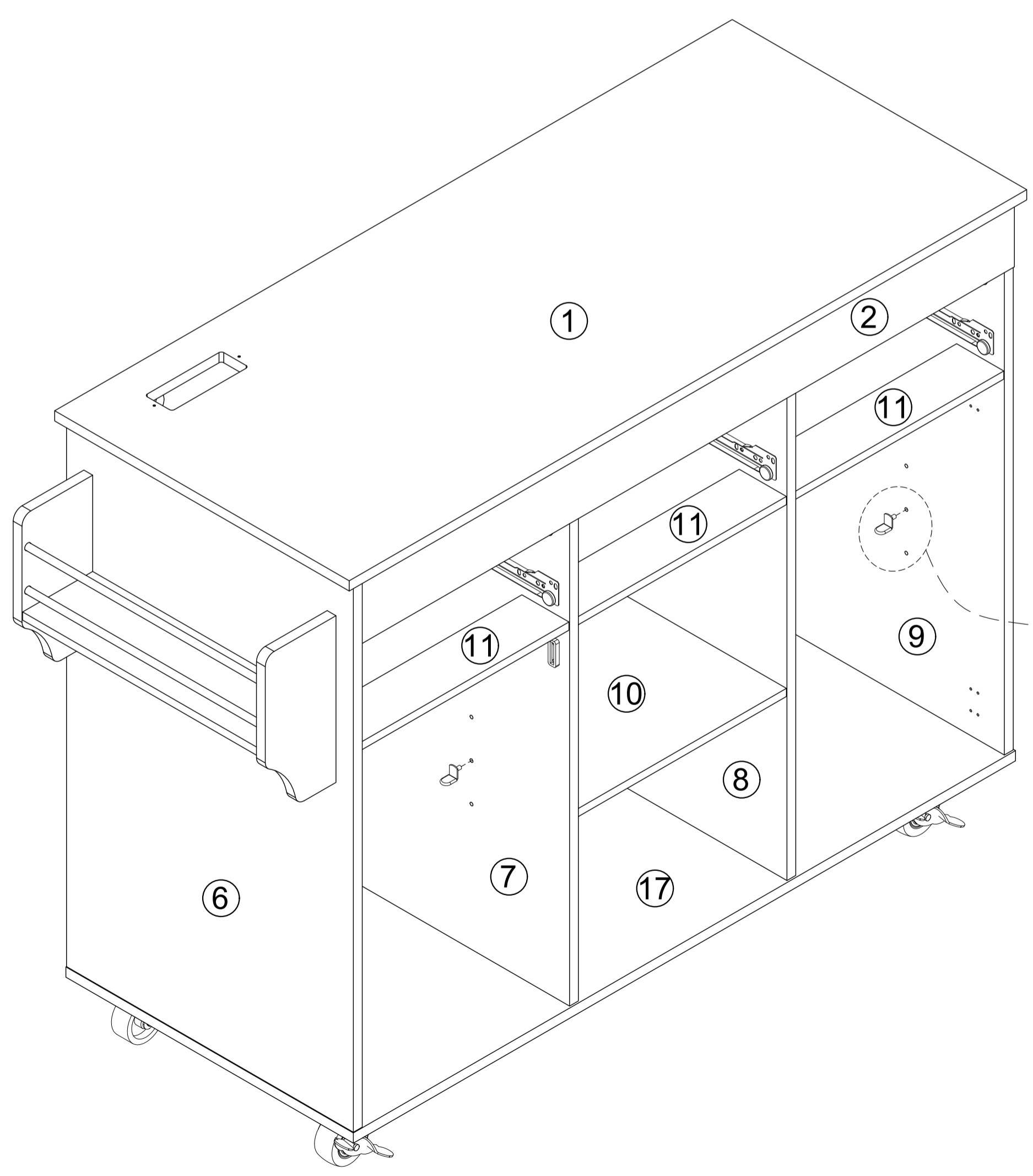
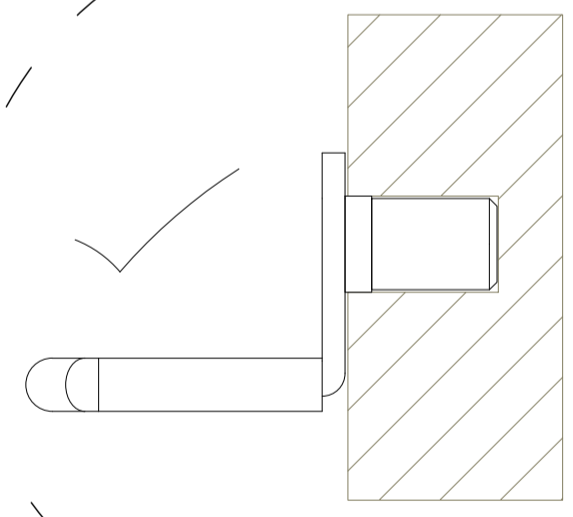
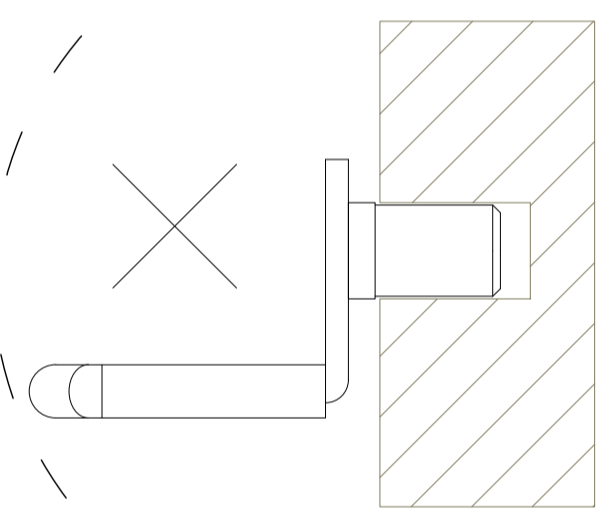
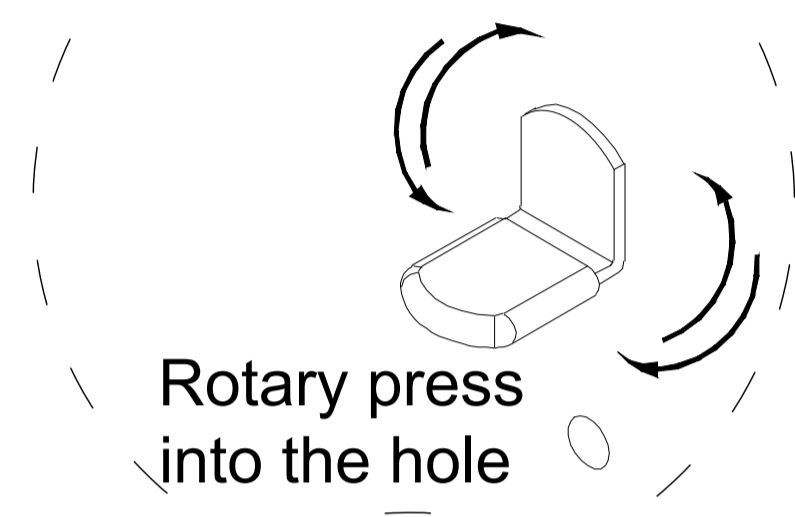
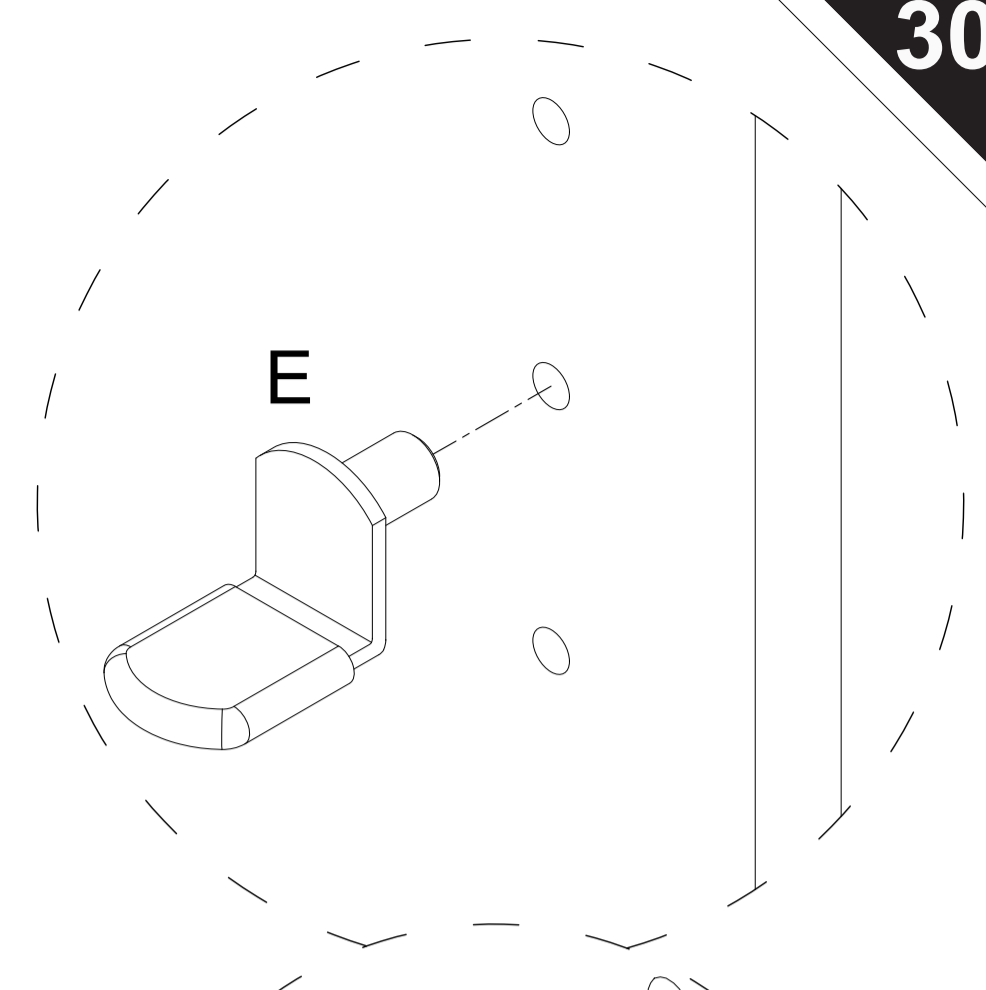
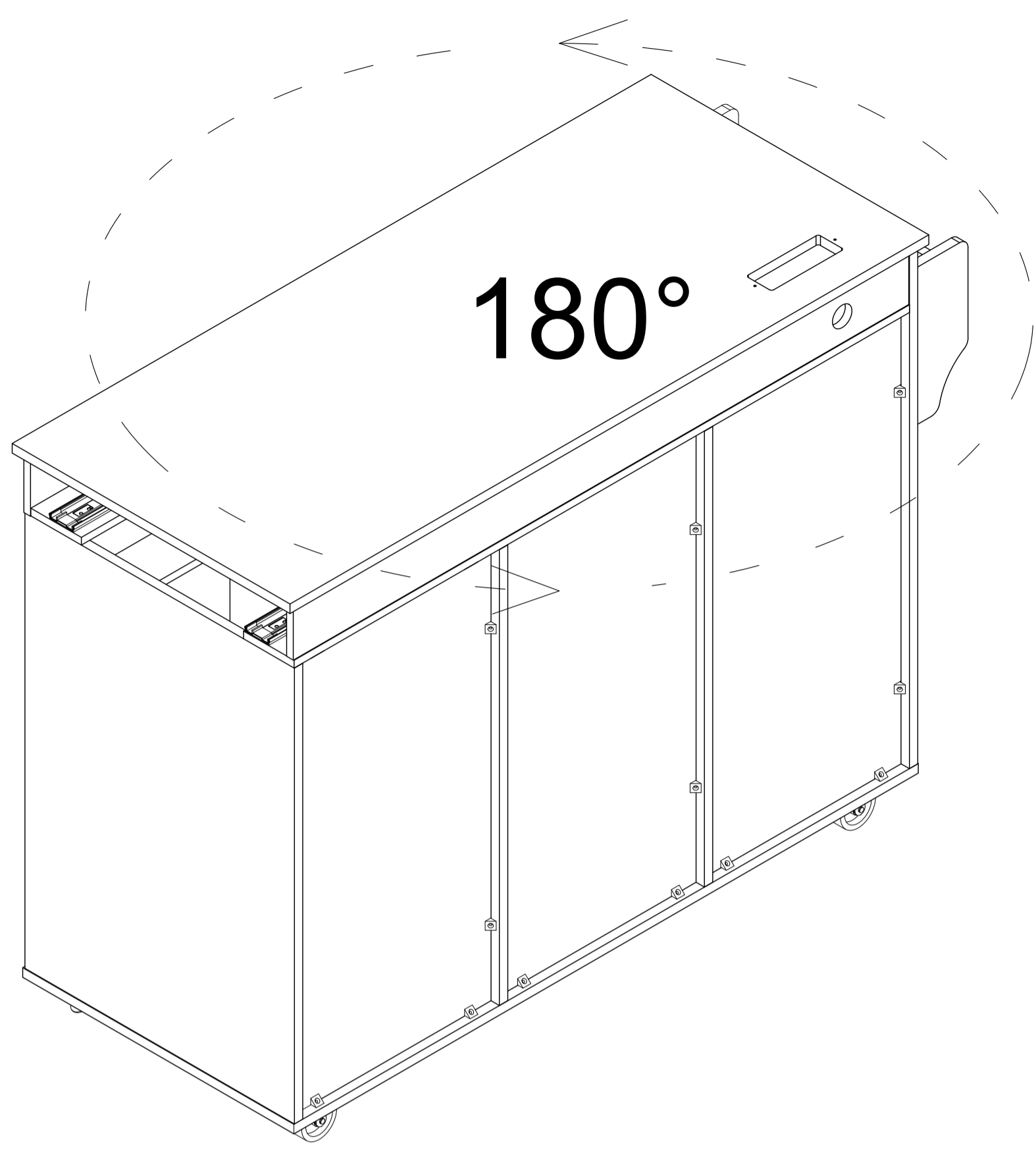
Open

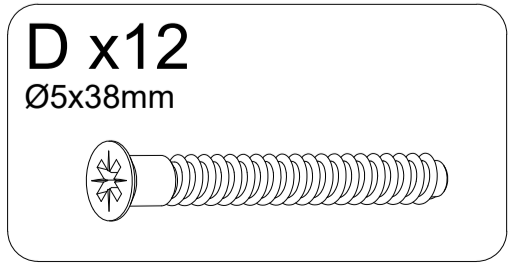
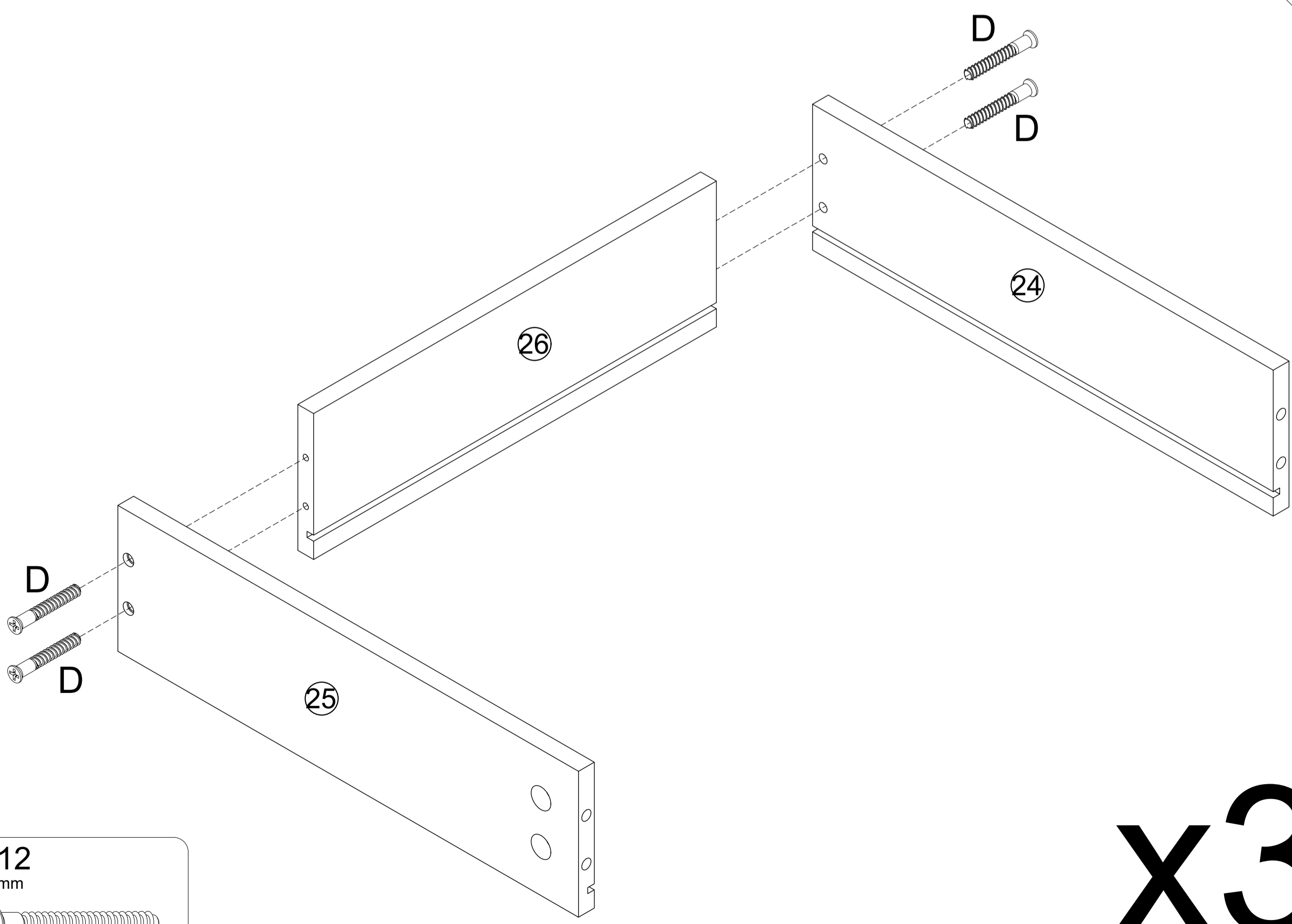
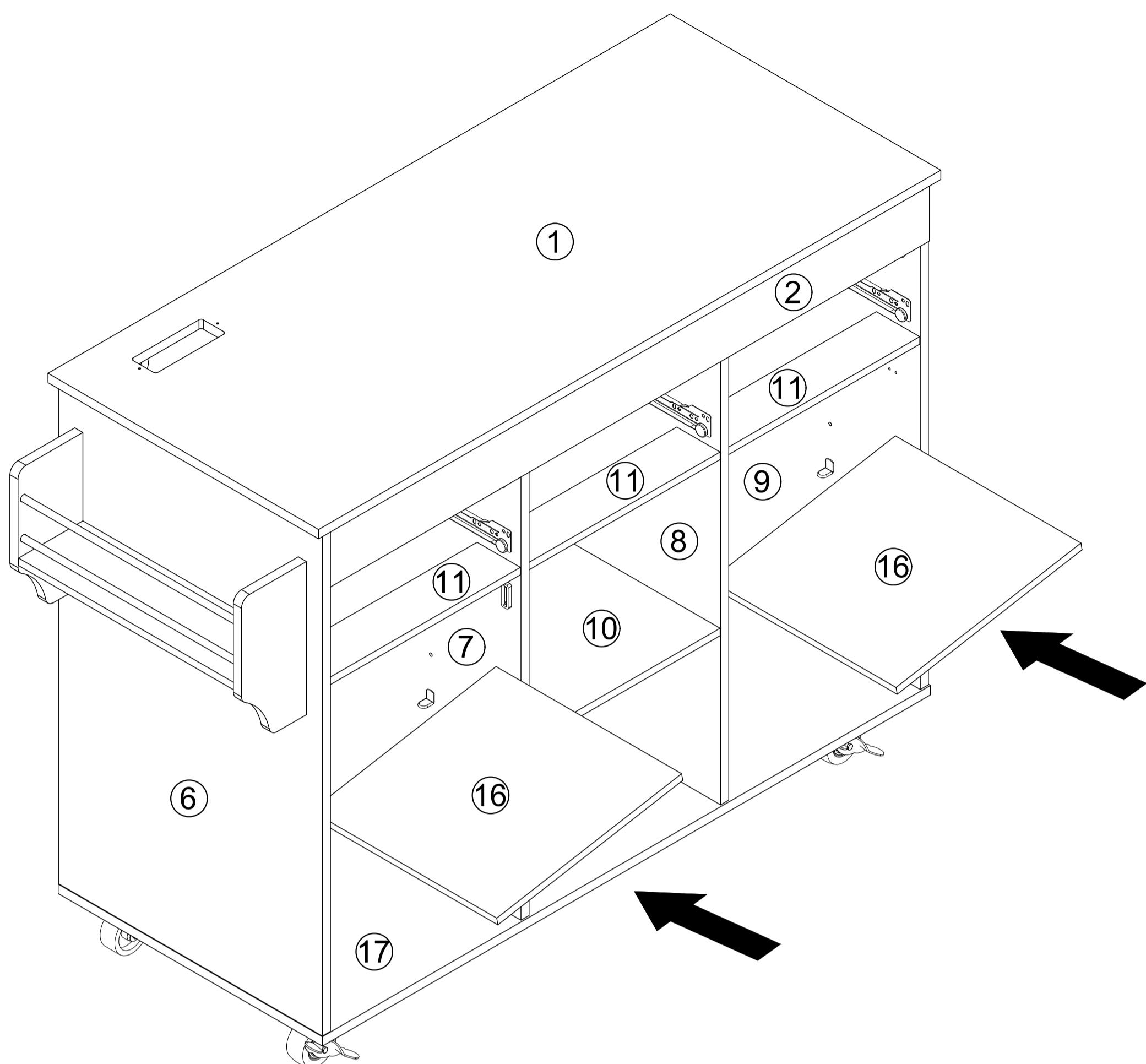
Lock

Before installation adjust the wheel to the non-braking position



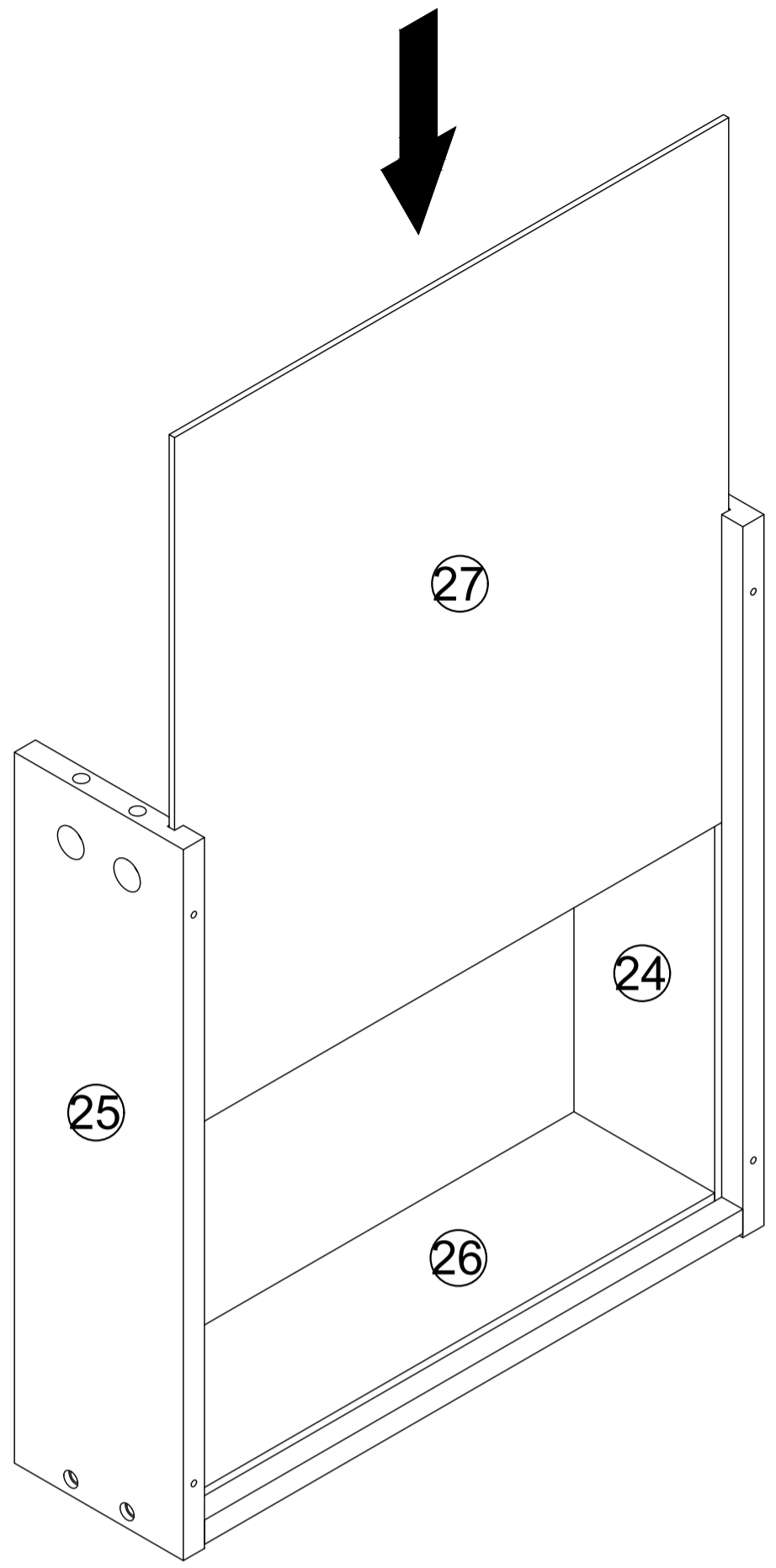
T	Q	S
3x12	3x16	3.5x14



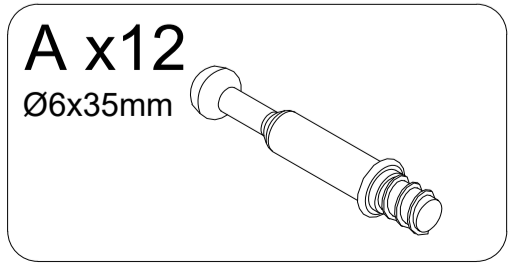
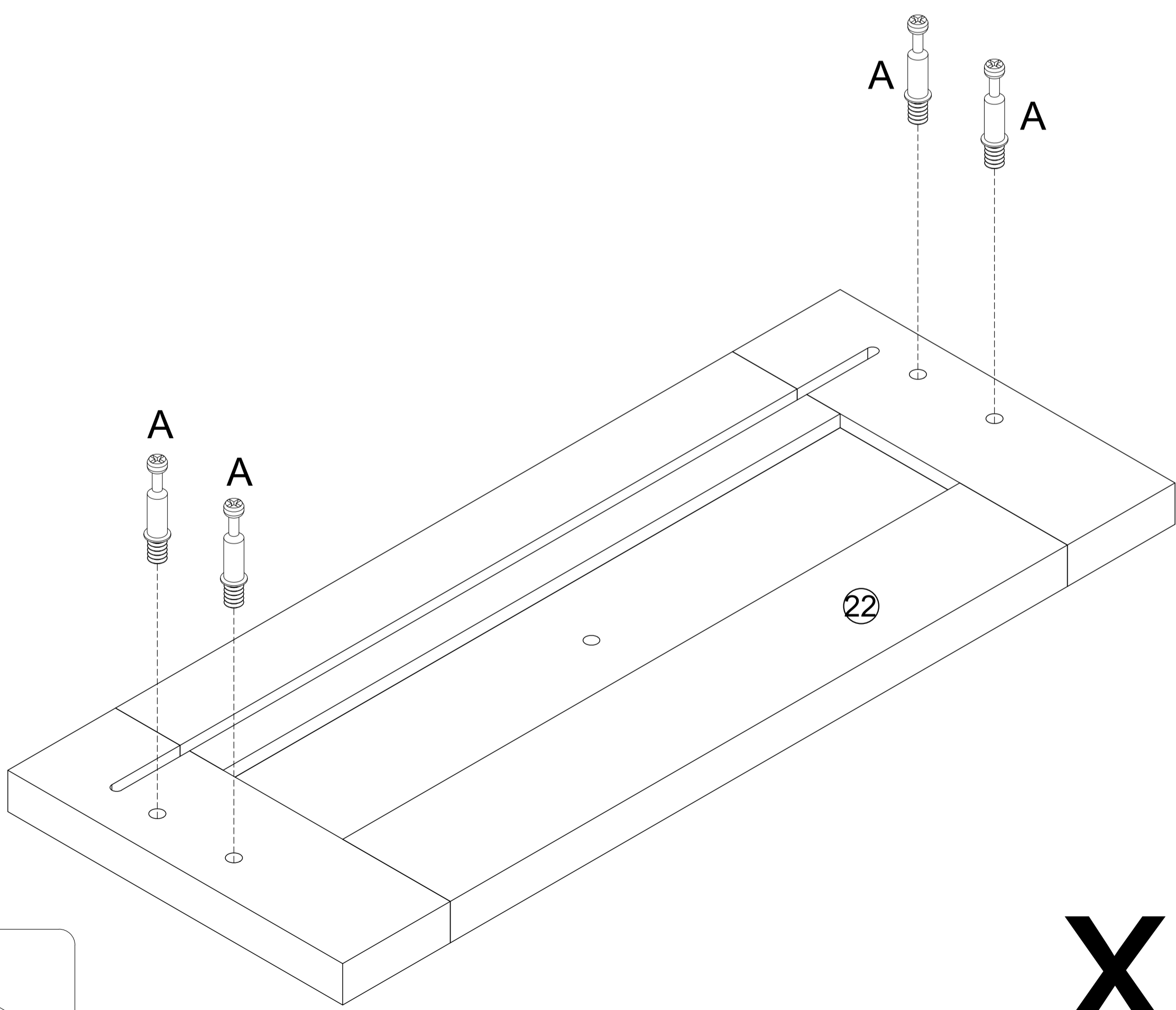


x3

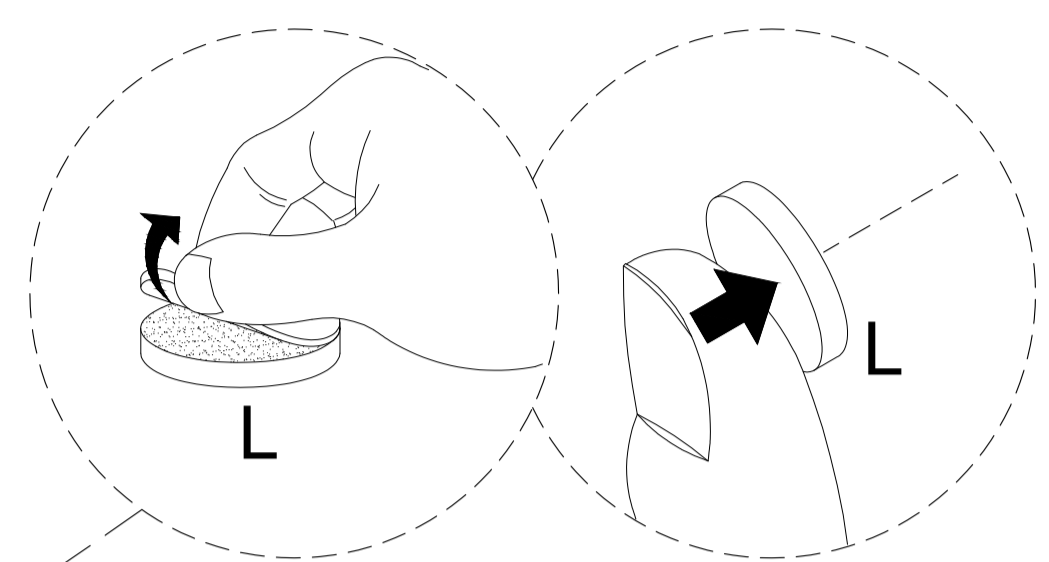
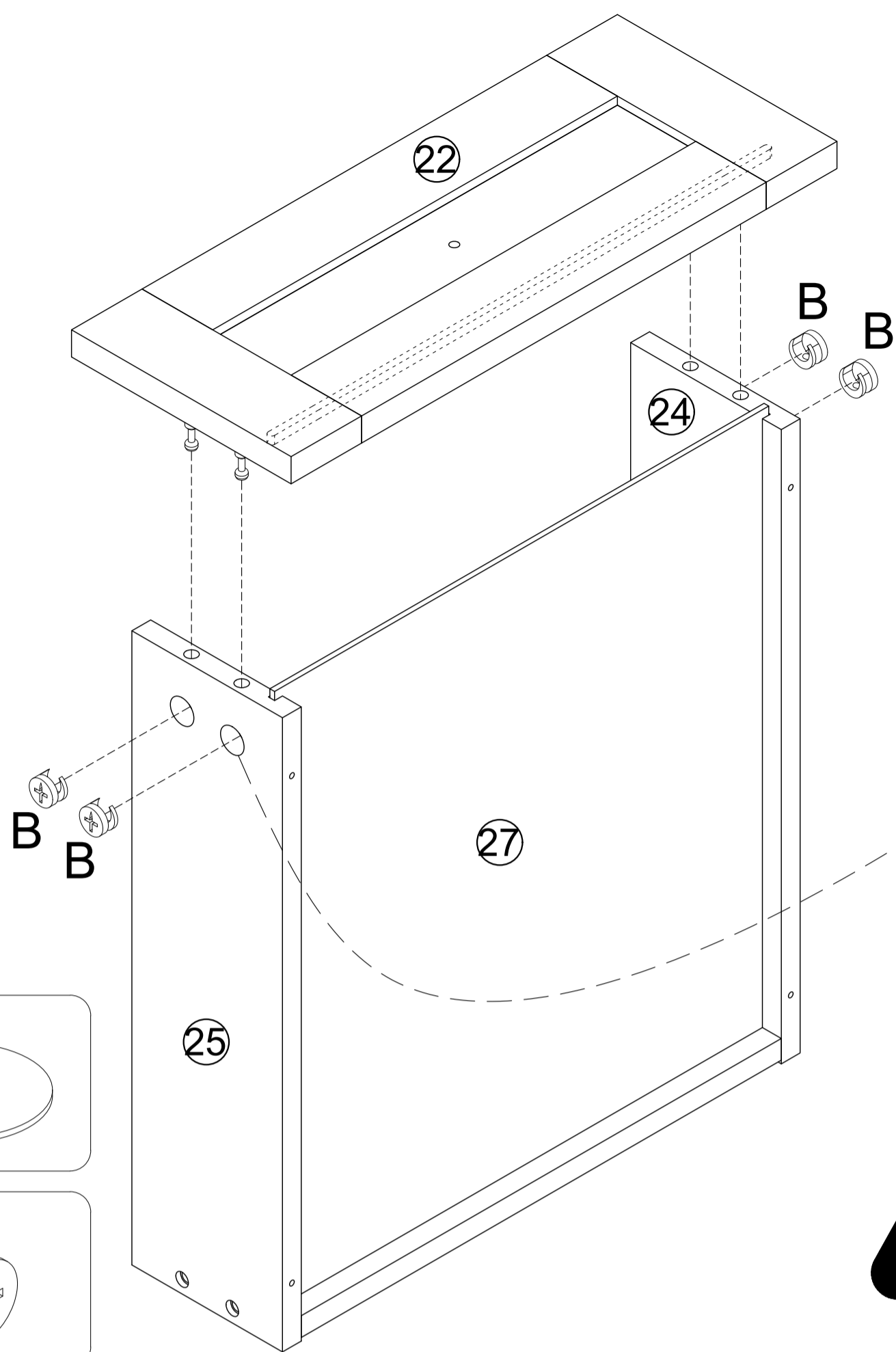
The thin plate needs to be fully inserted into the groove. If the insertion is not smooth, you can try pressing from the front or the back to make adjustments until the thin plate is fully inserted into the groove.



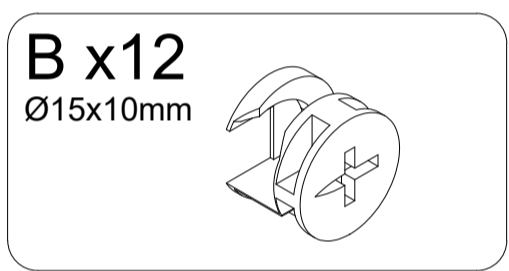
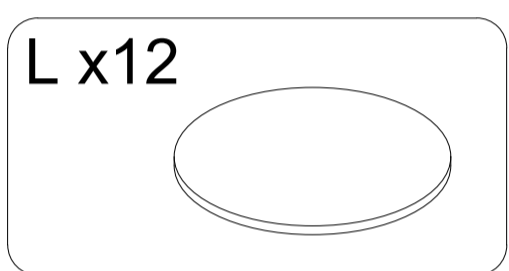
x3



x3

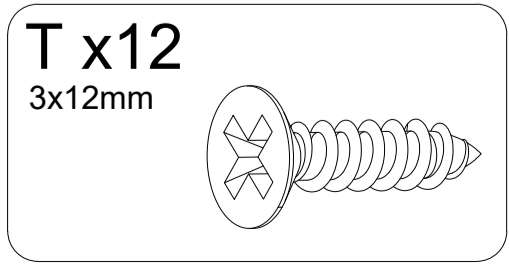
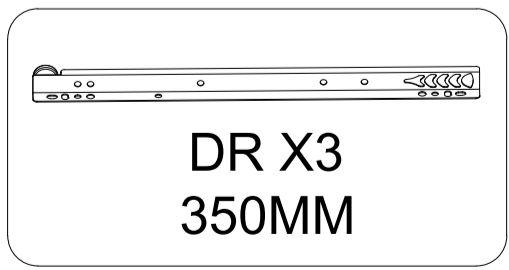
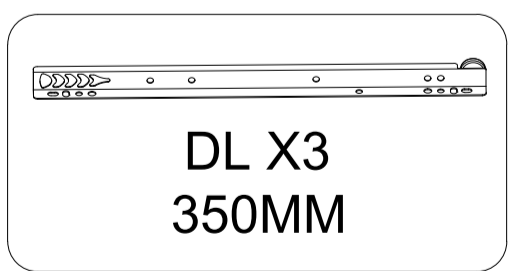
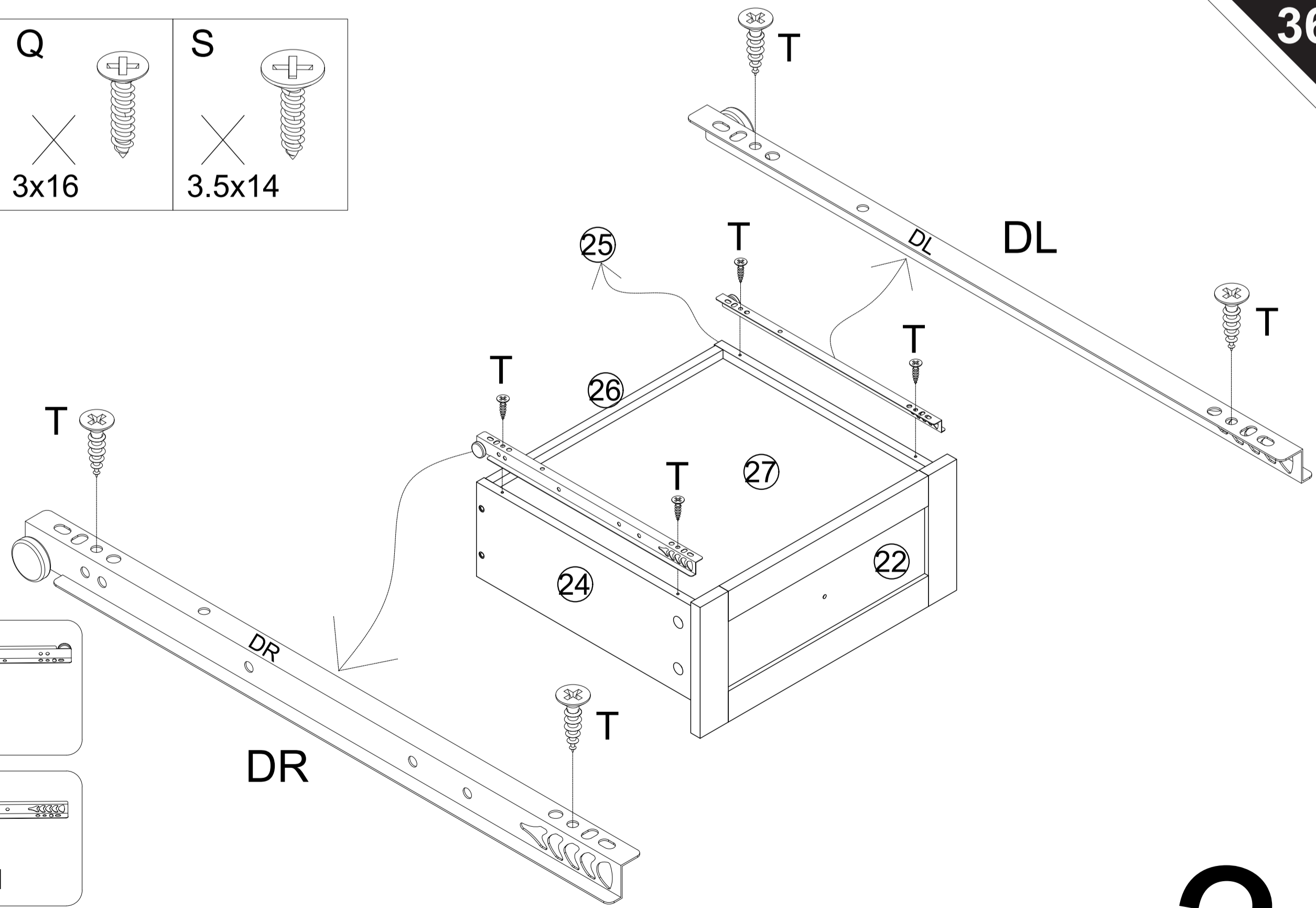


Cover the visible hole with a cap

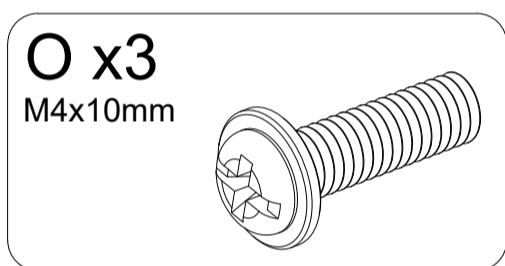
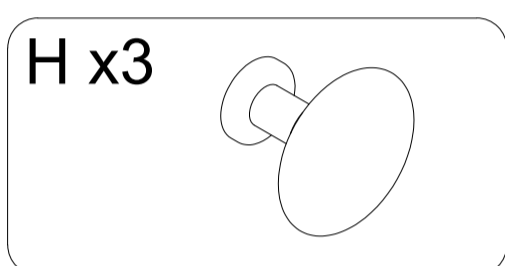
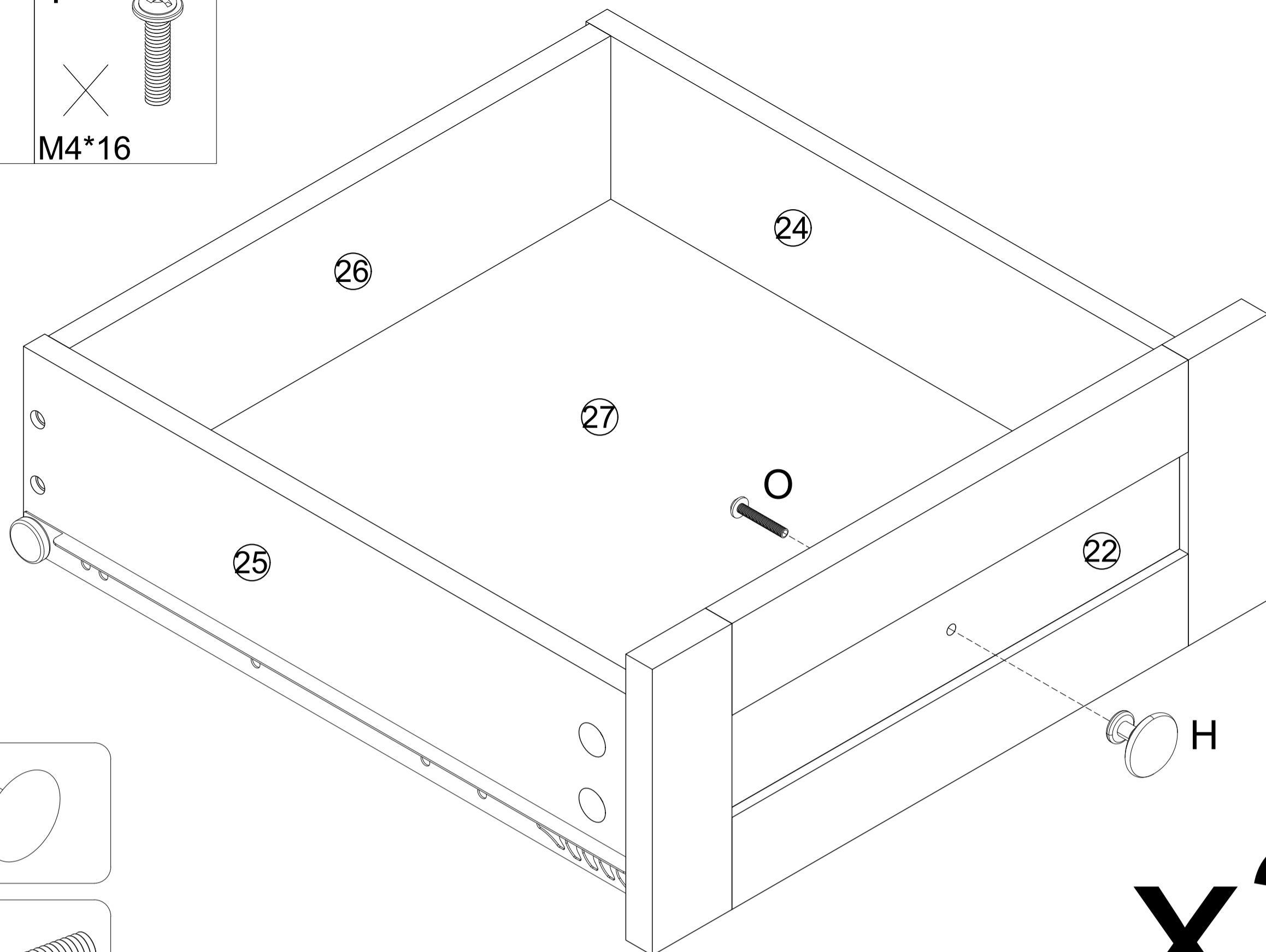
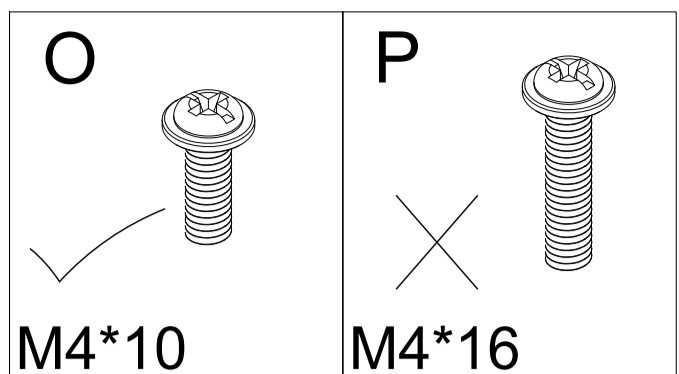


x3

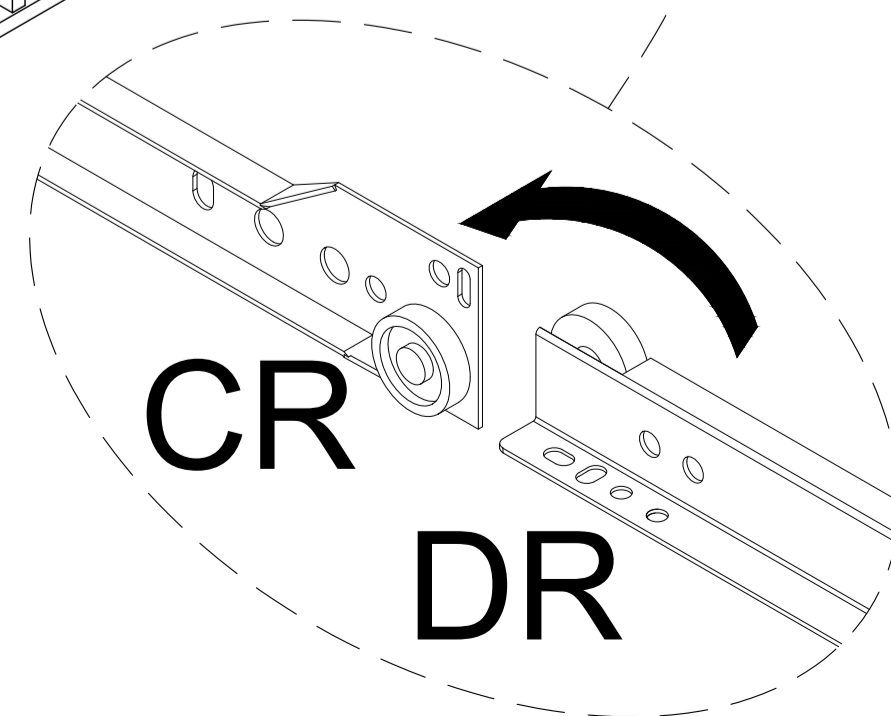
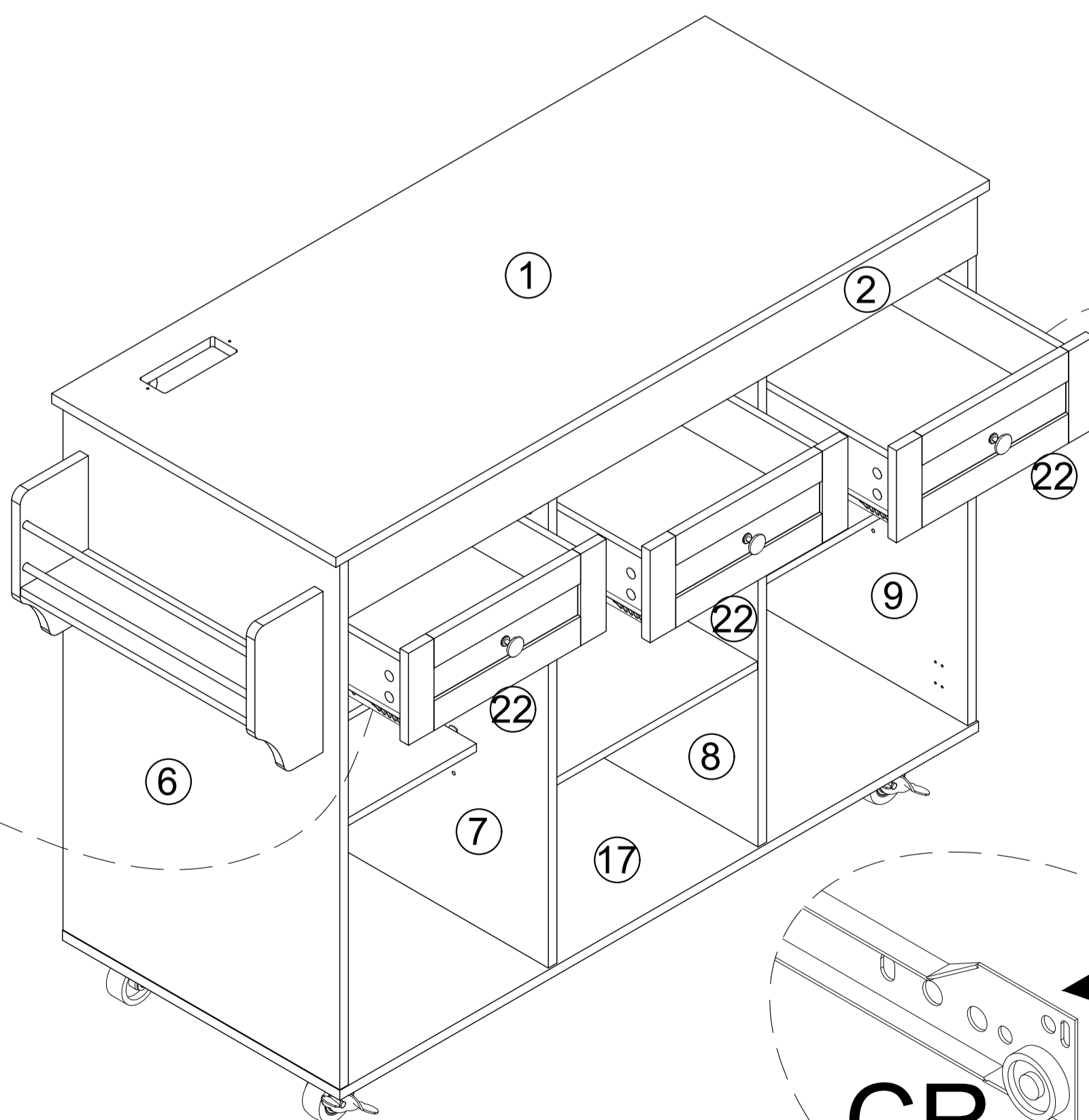
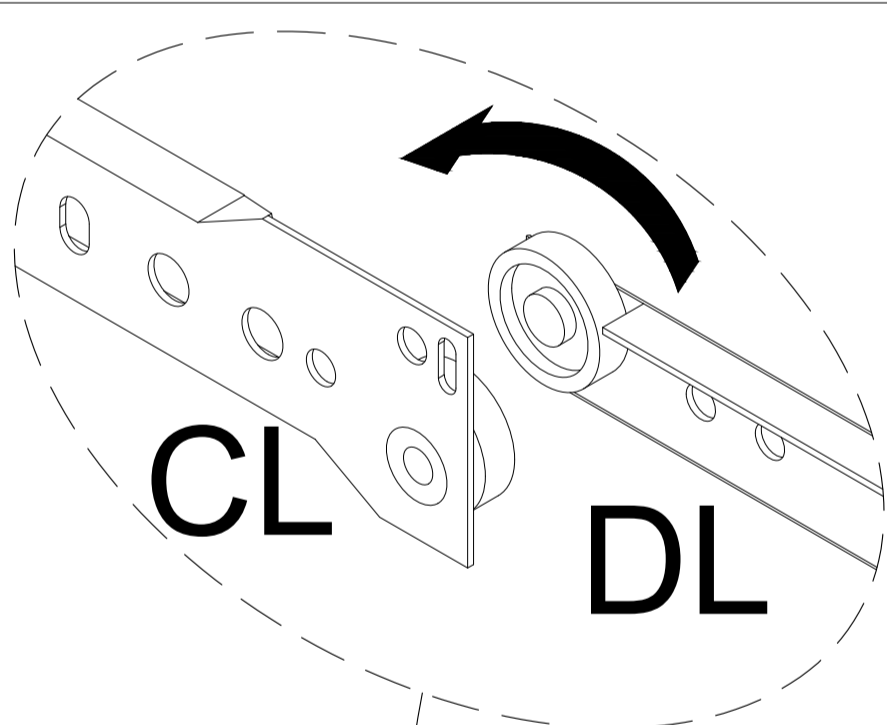
T	Q	S
3x12	3x16	3.5x14



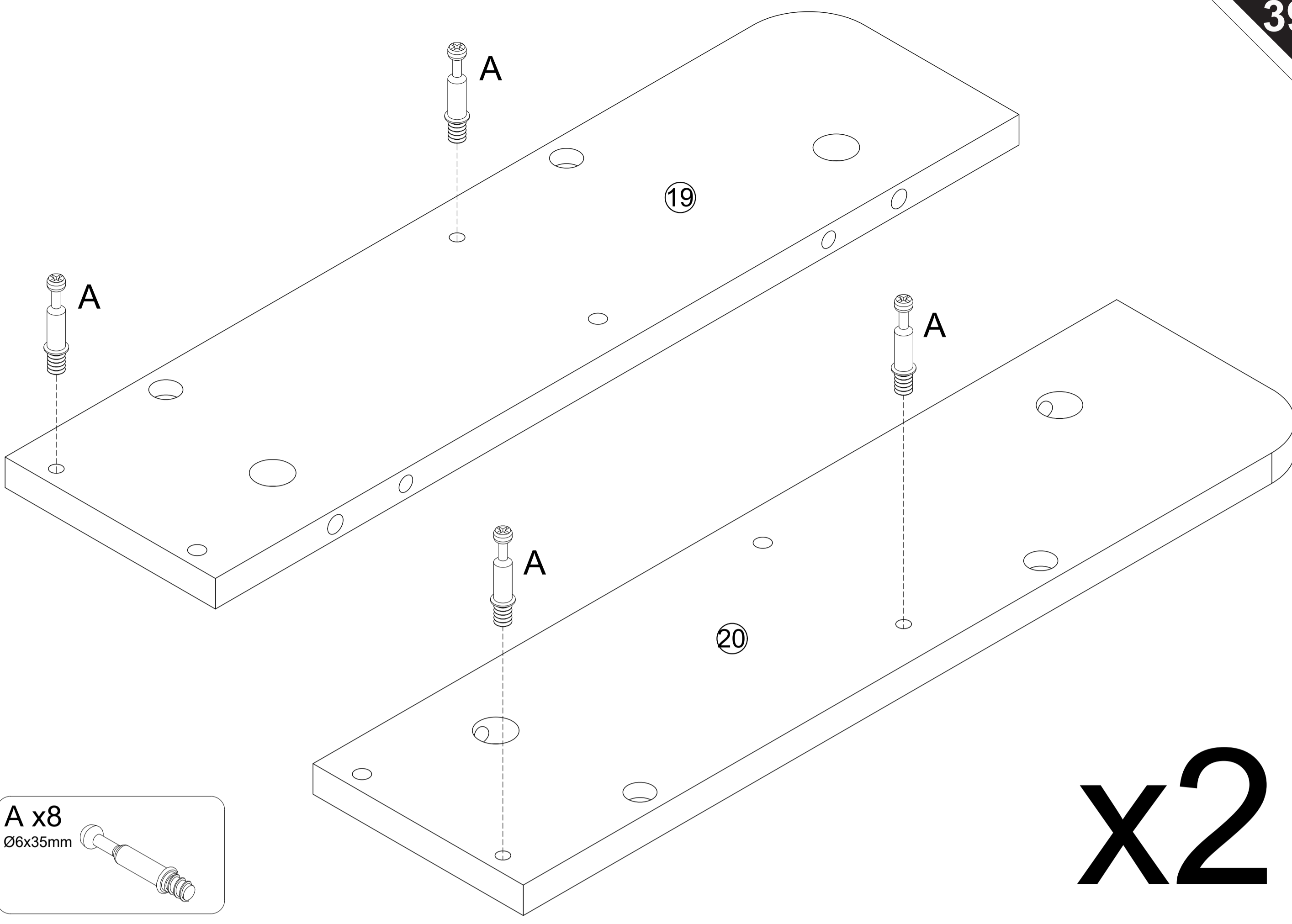
x3



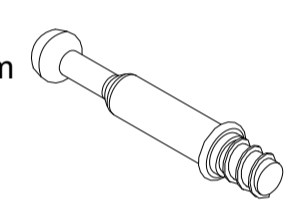
x3



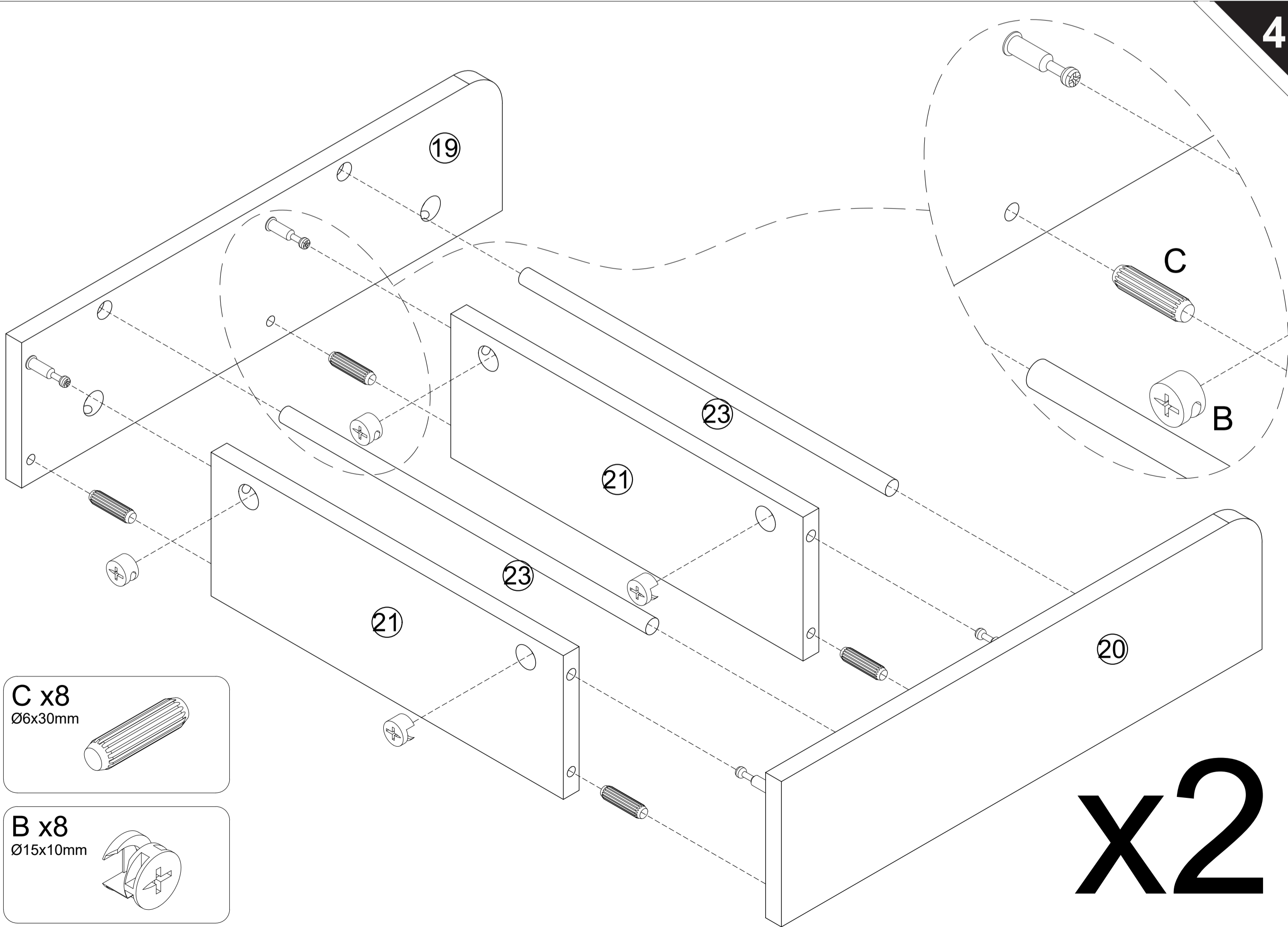




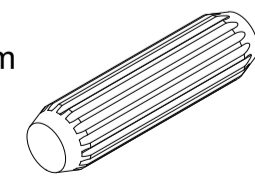
**A x8**  
 Ø6x35mm



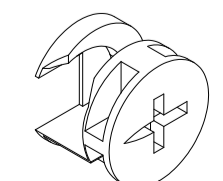
x2



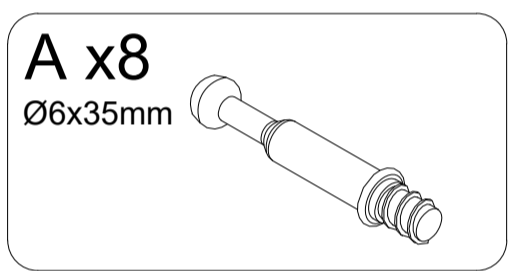
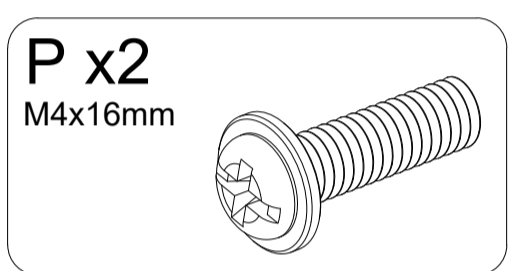
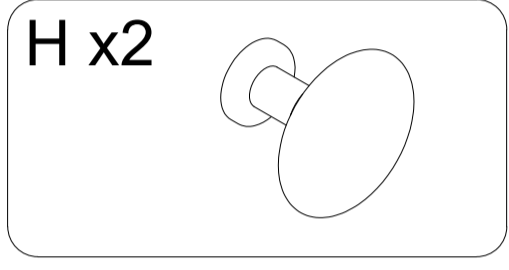
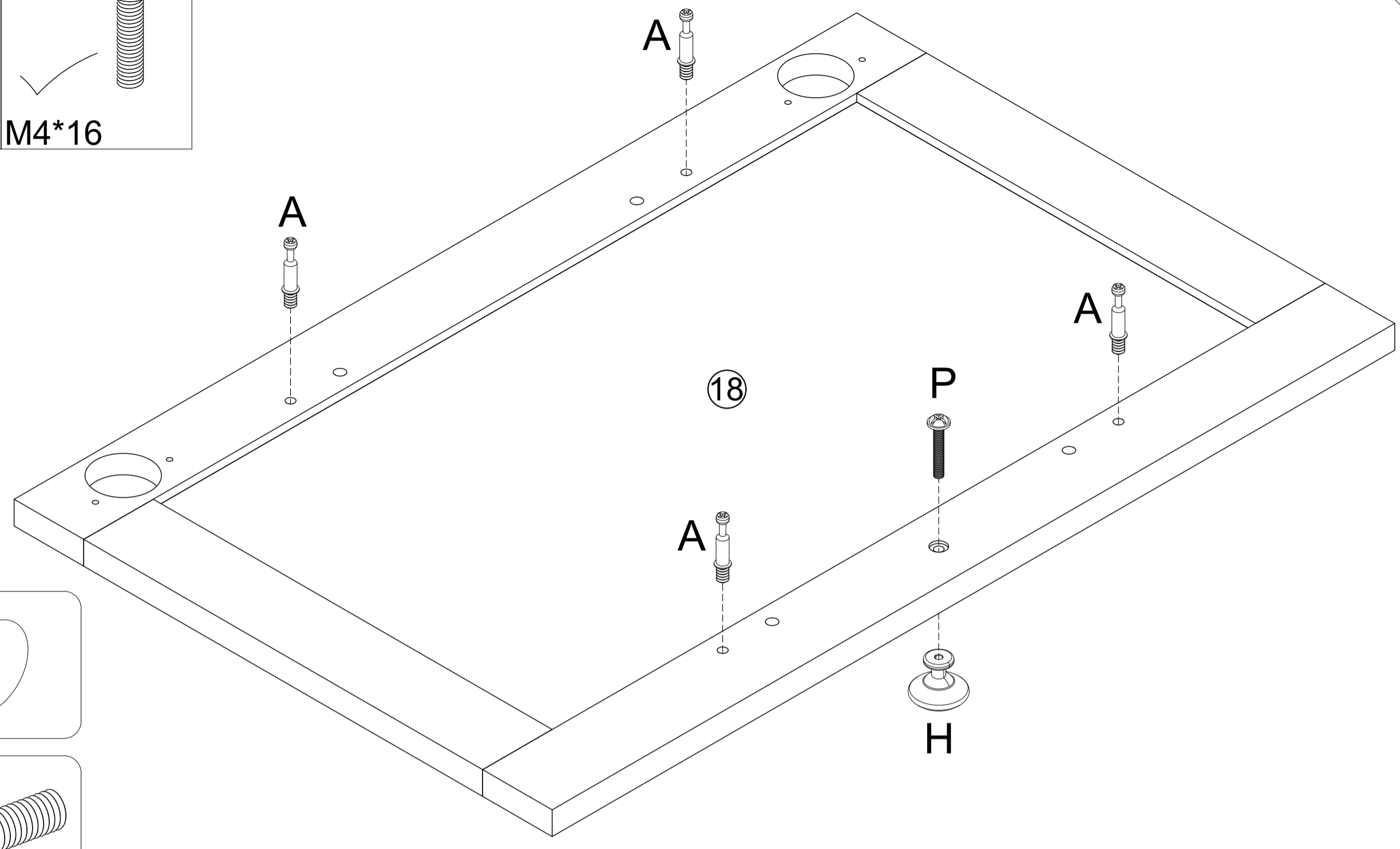
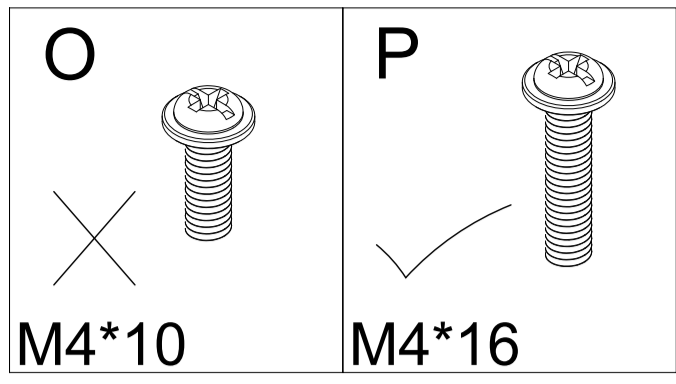
**C x8**  
 Ø6x30mm



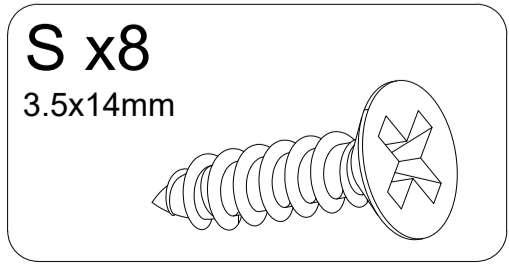
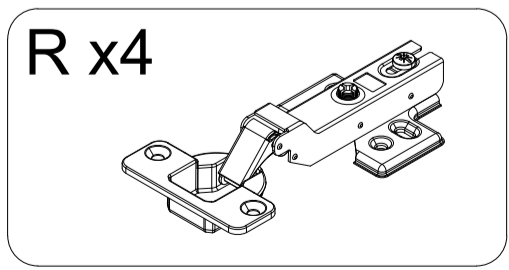
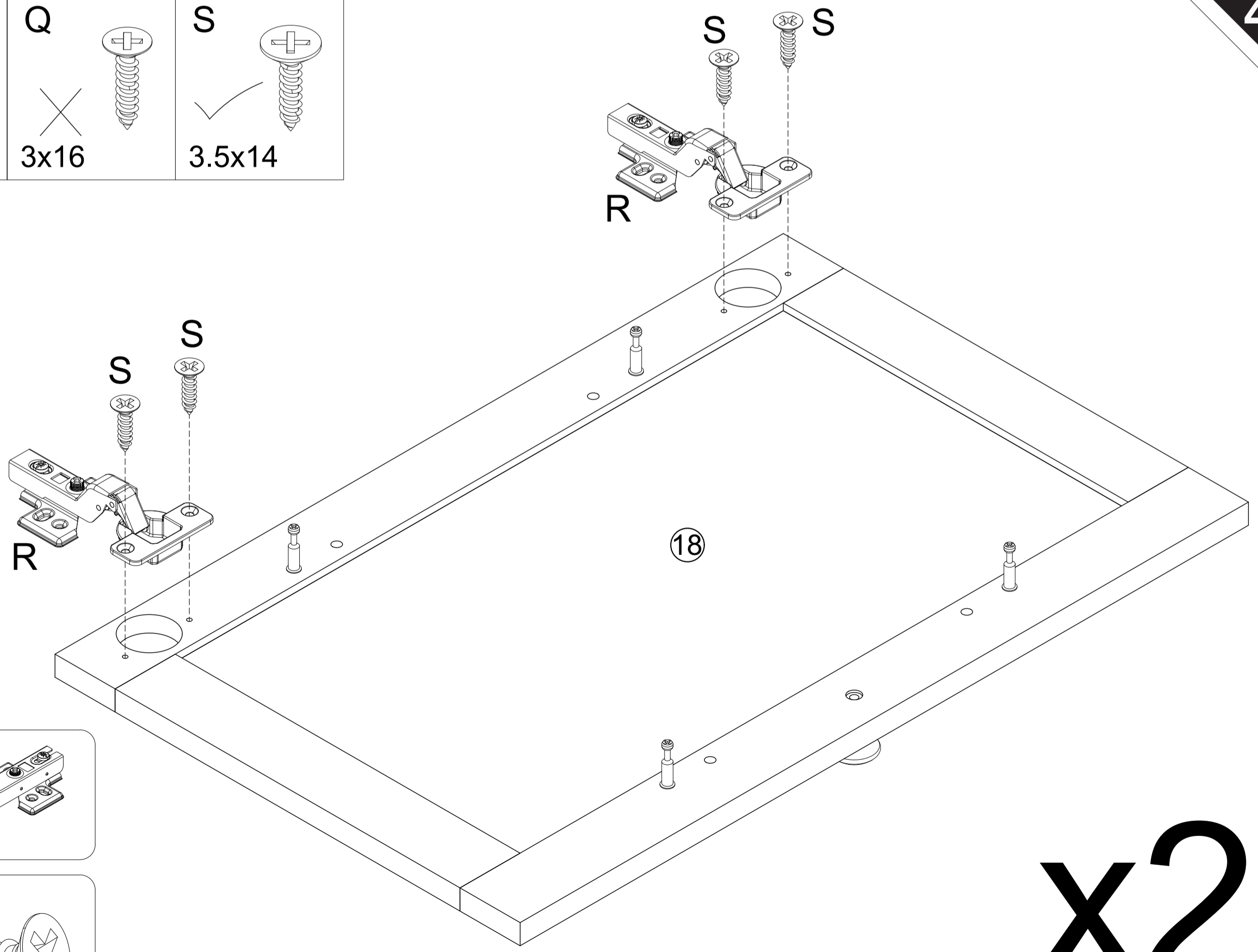
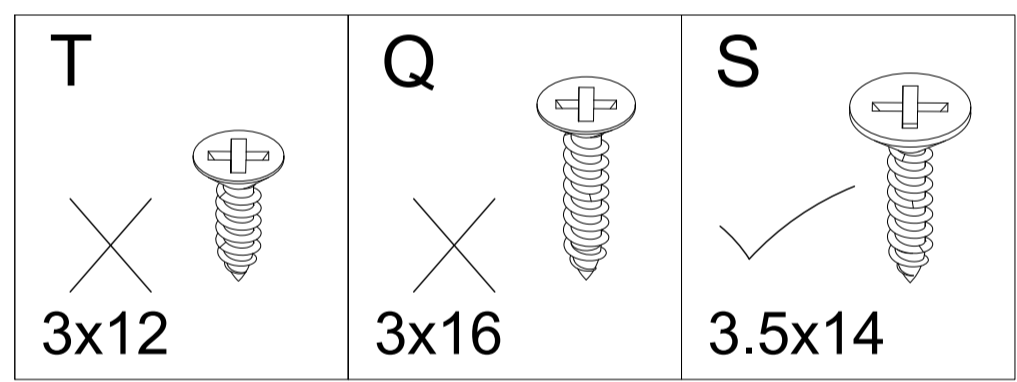
**B x8**  
 Ø15x10mm



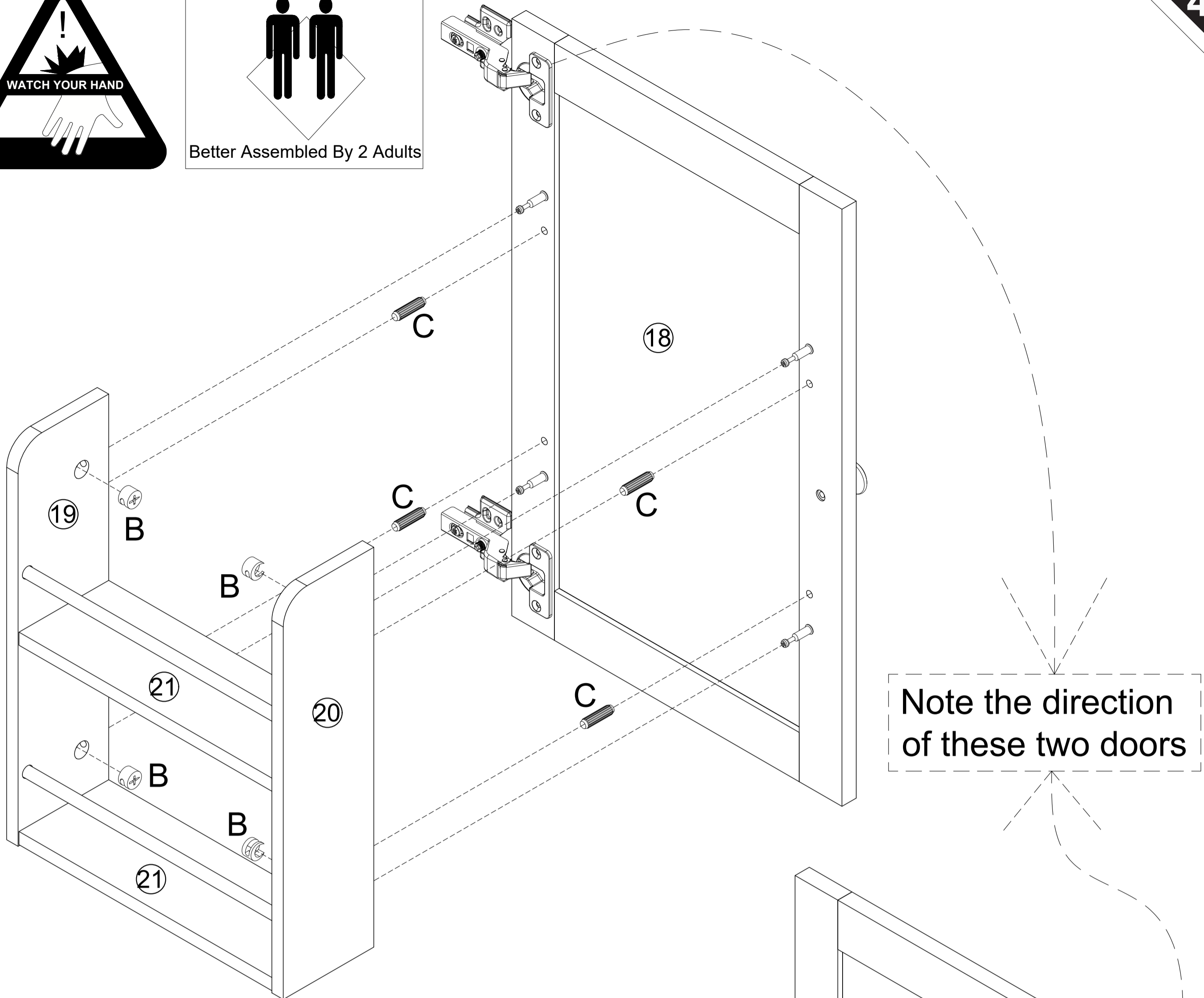
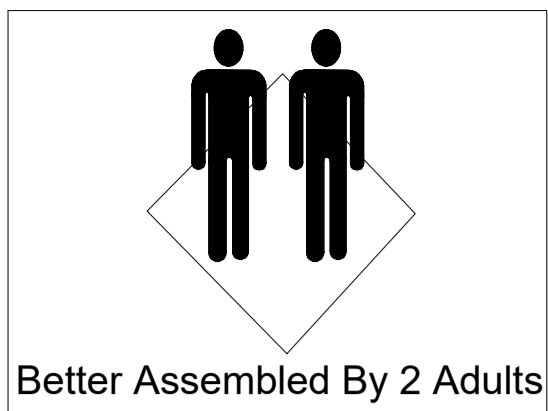
x2



x2



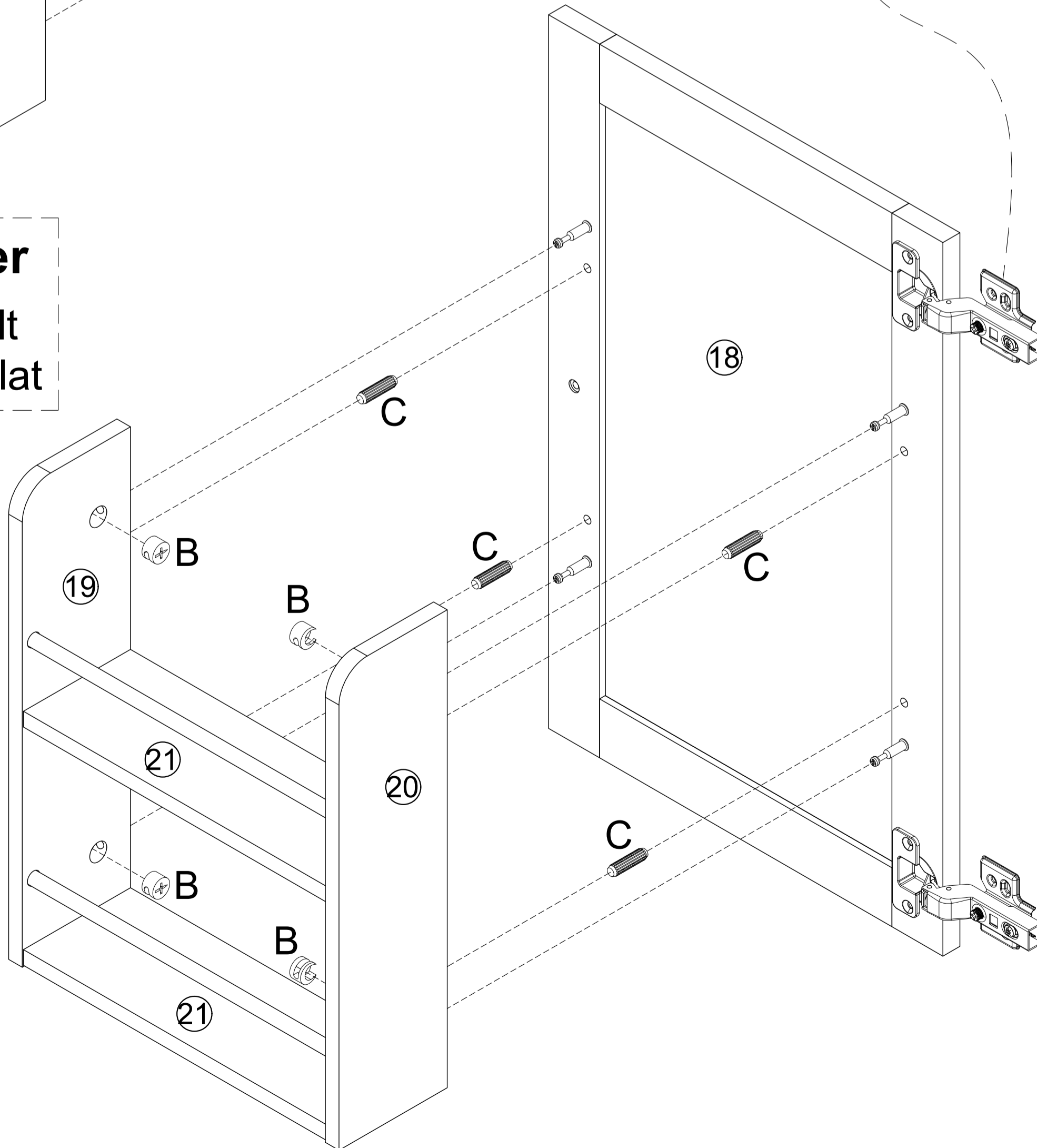
x2



Note the direction of these two doors

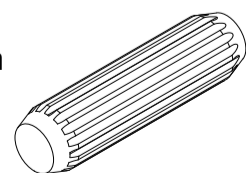
### Friendly Reminder

If installation is difficult it can be assembled flat



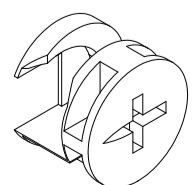
C x8

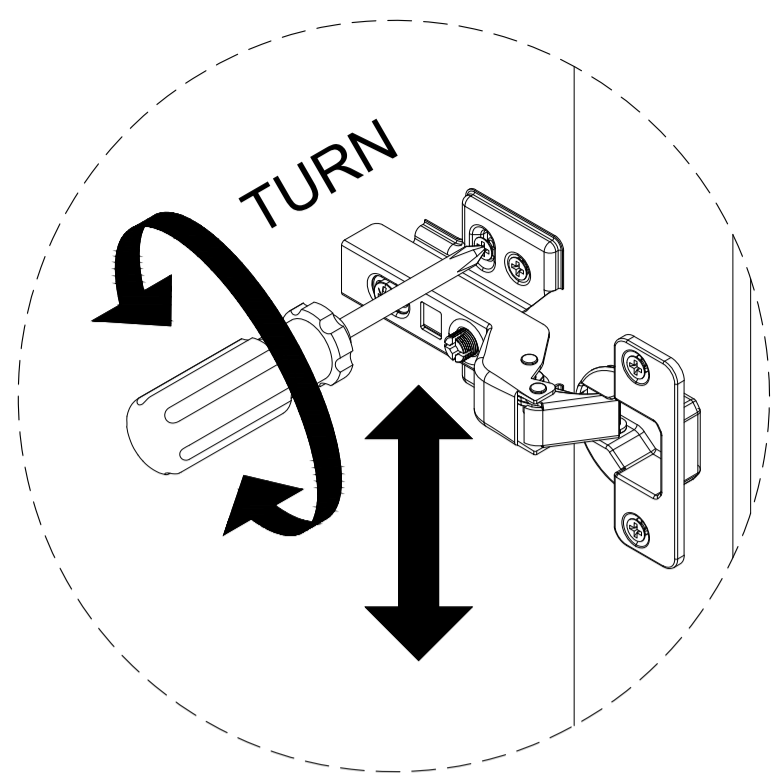
Ø6x30mm



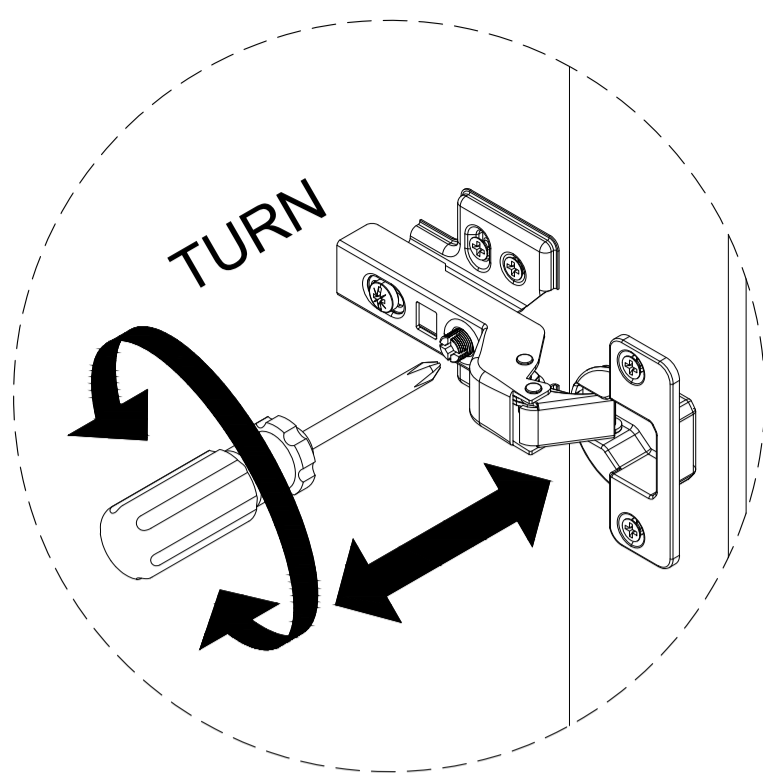
B x8

Ø15x10mm

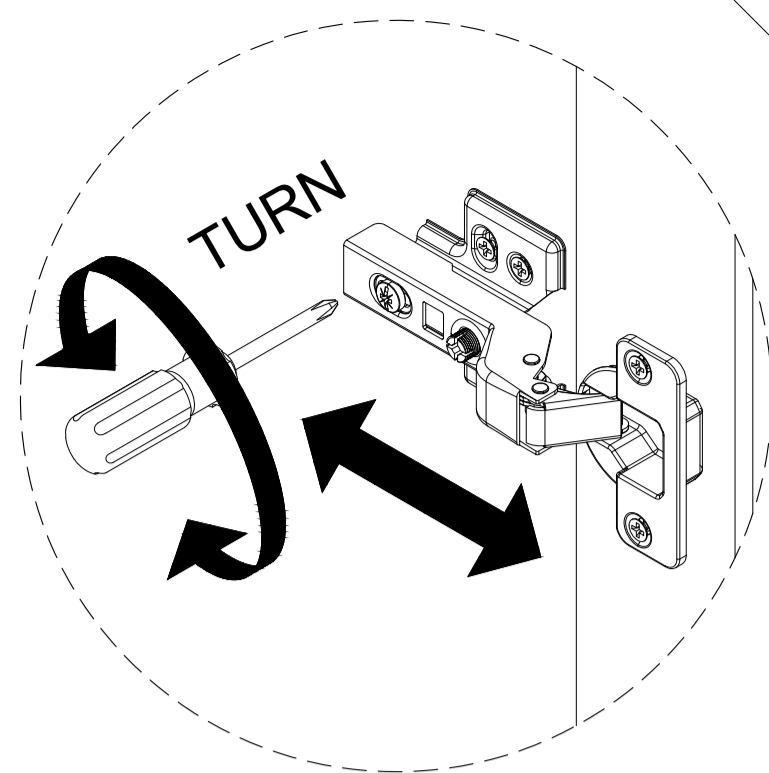




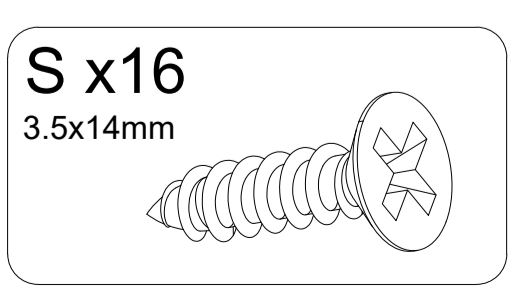
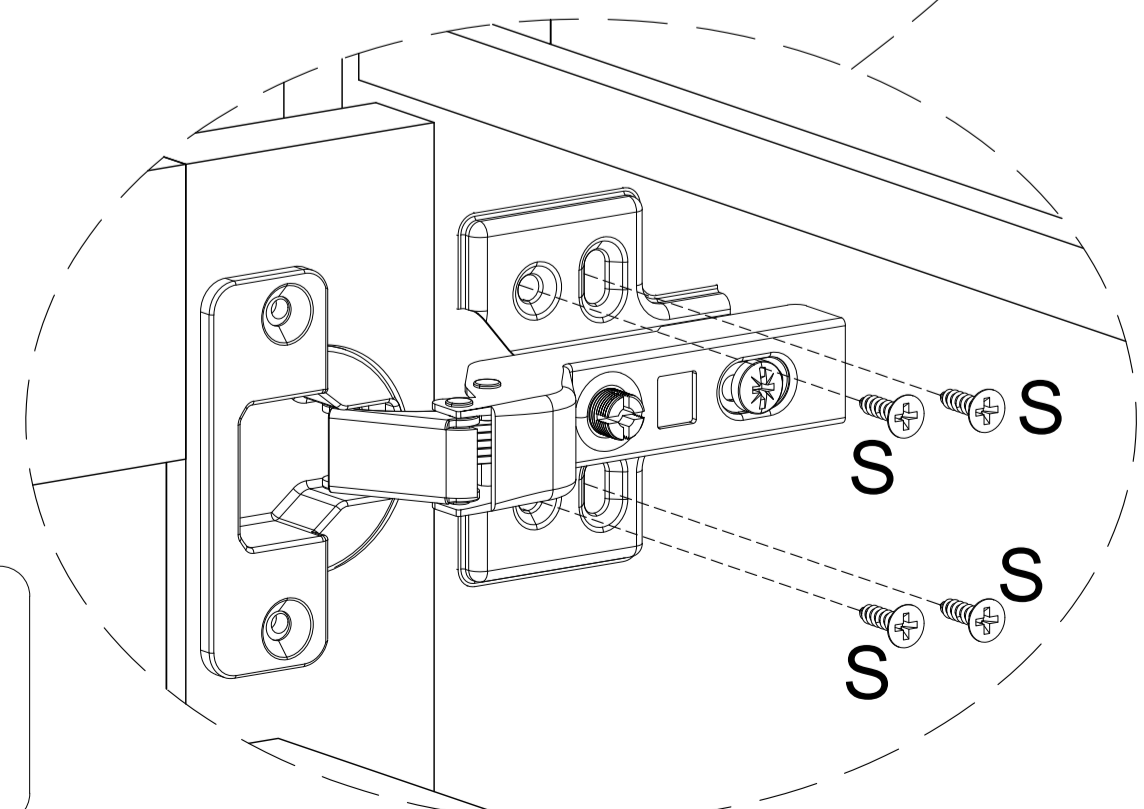
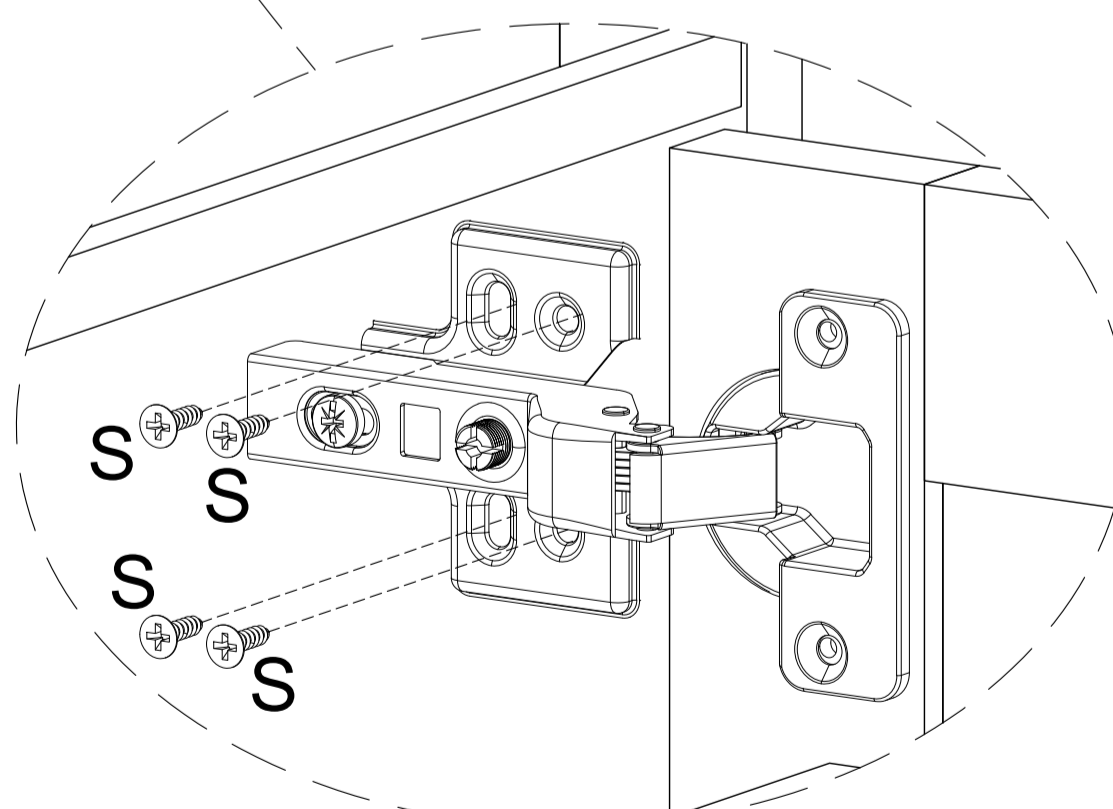
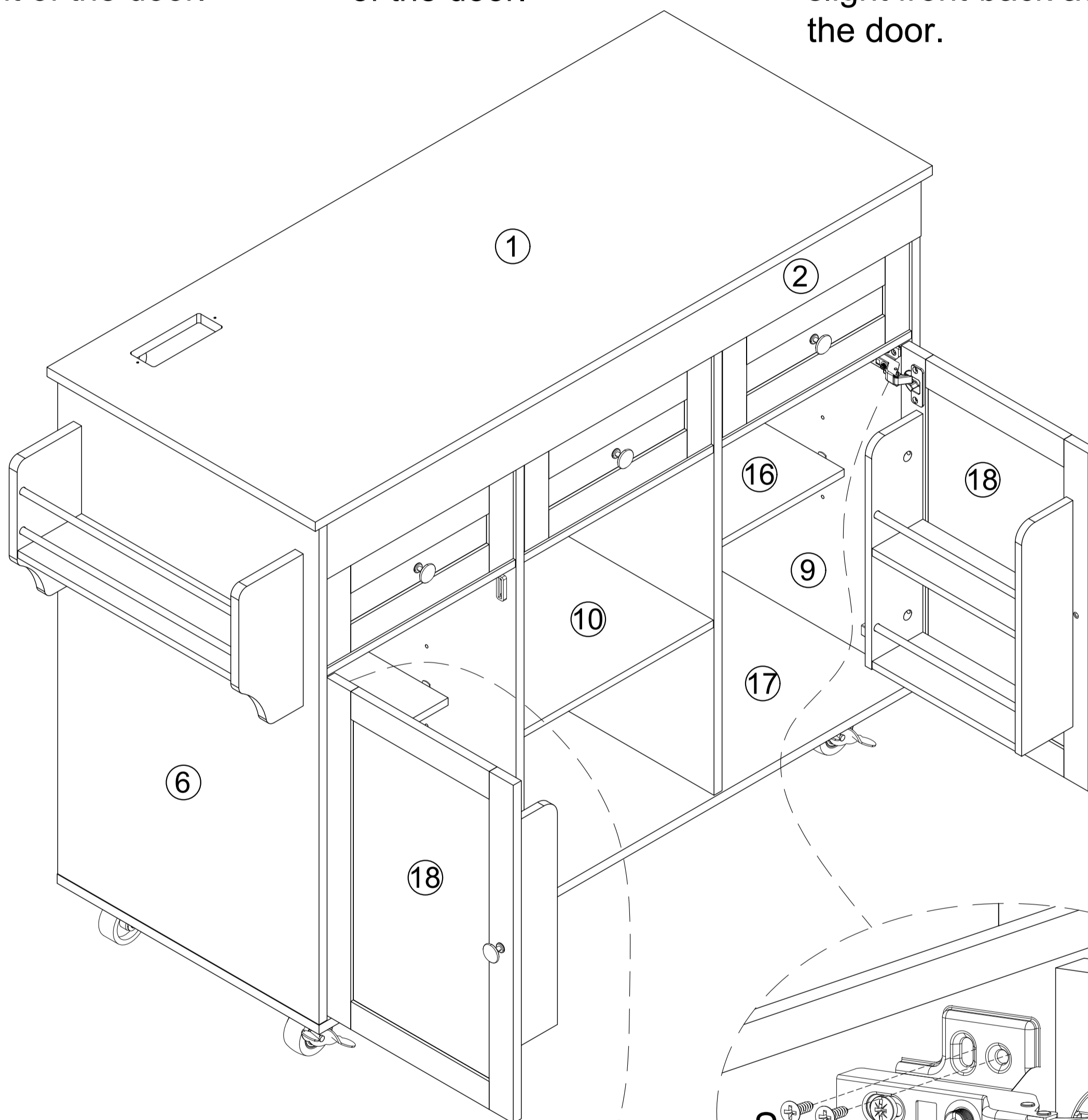
Loosen this screw and push up/down for a slight up-down adjustment of the door.



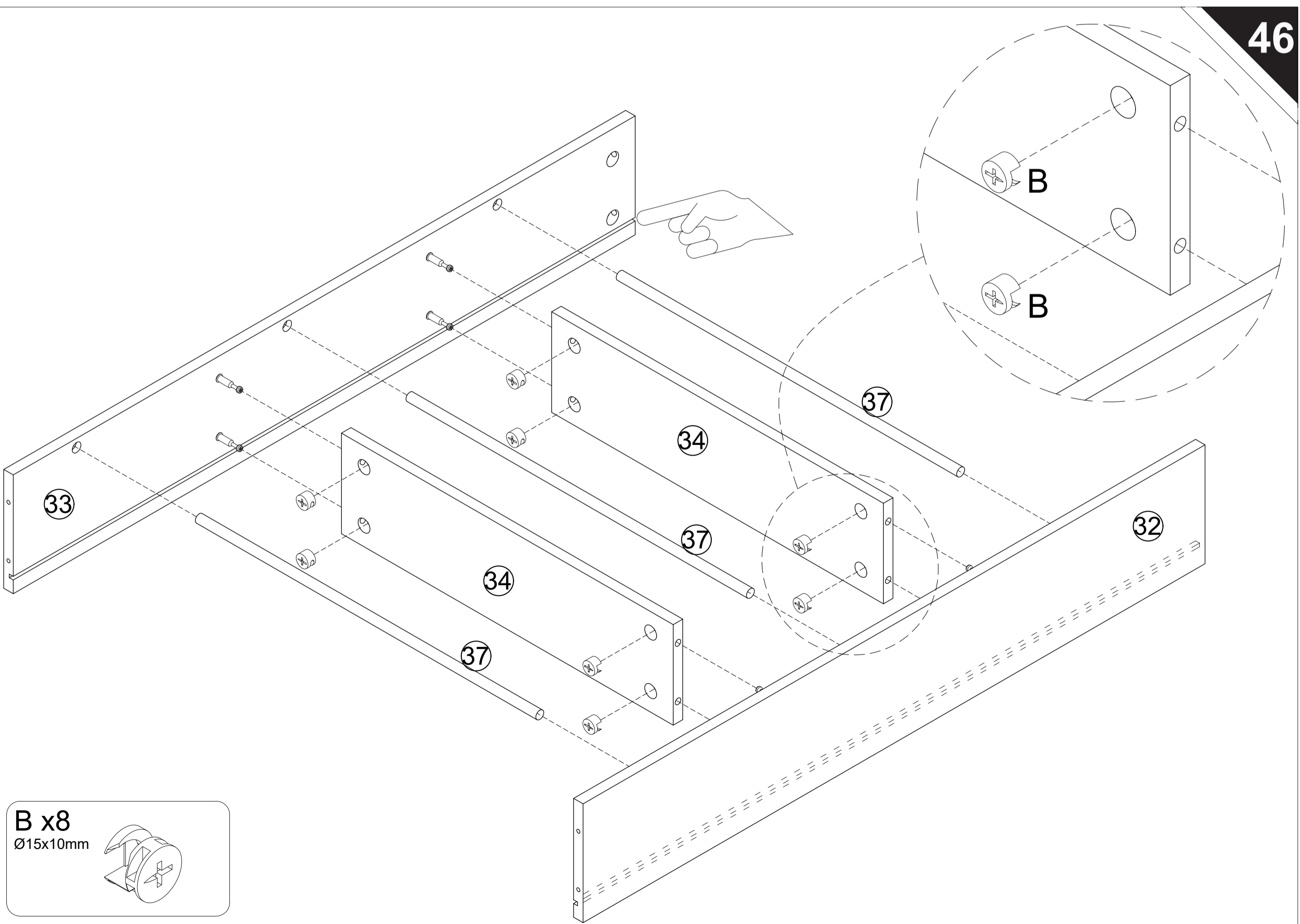
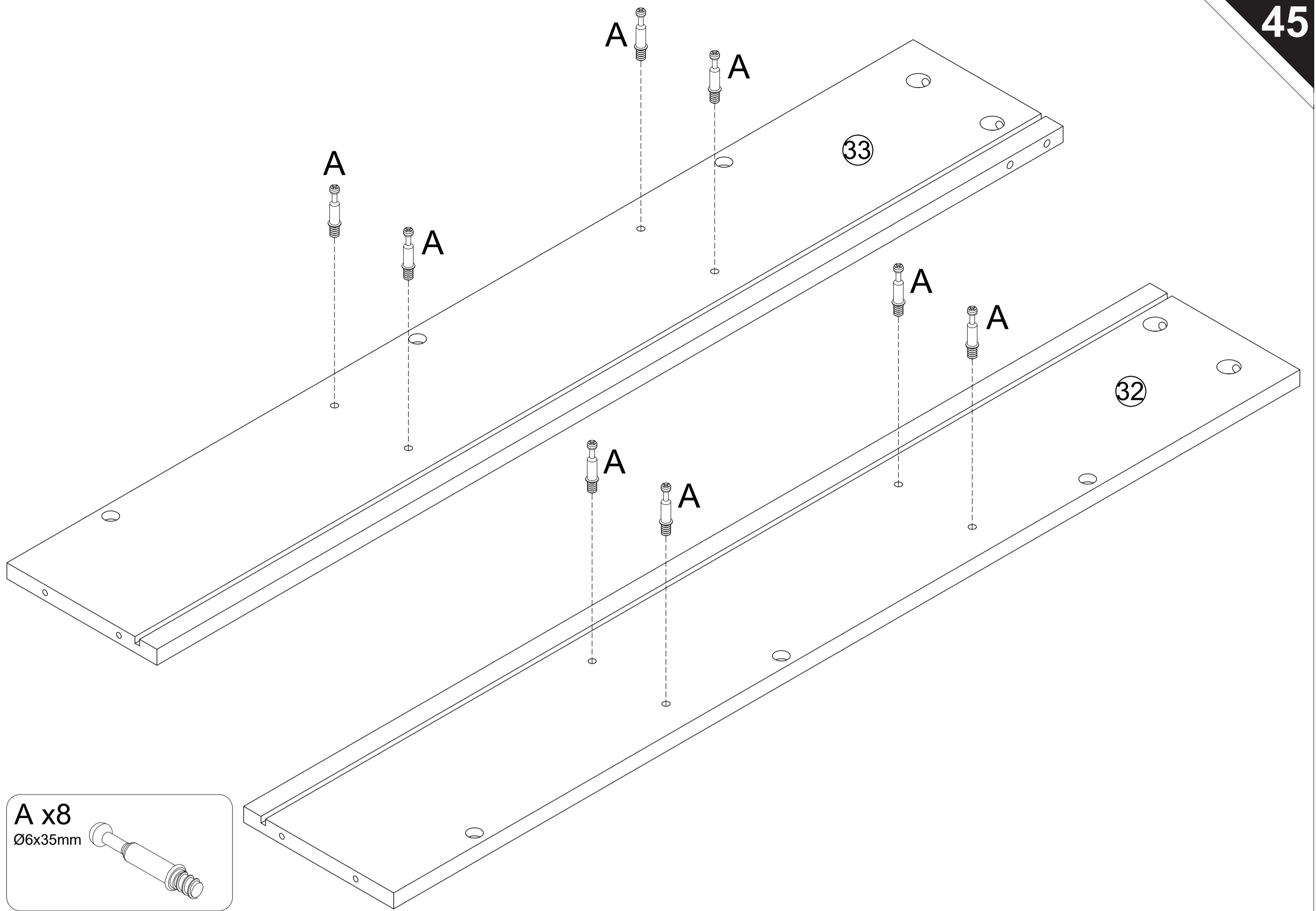
Loosen this screw for a slight left-right adjustment of the door.

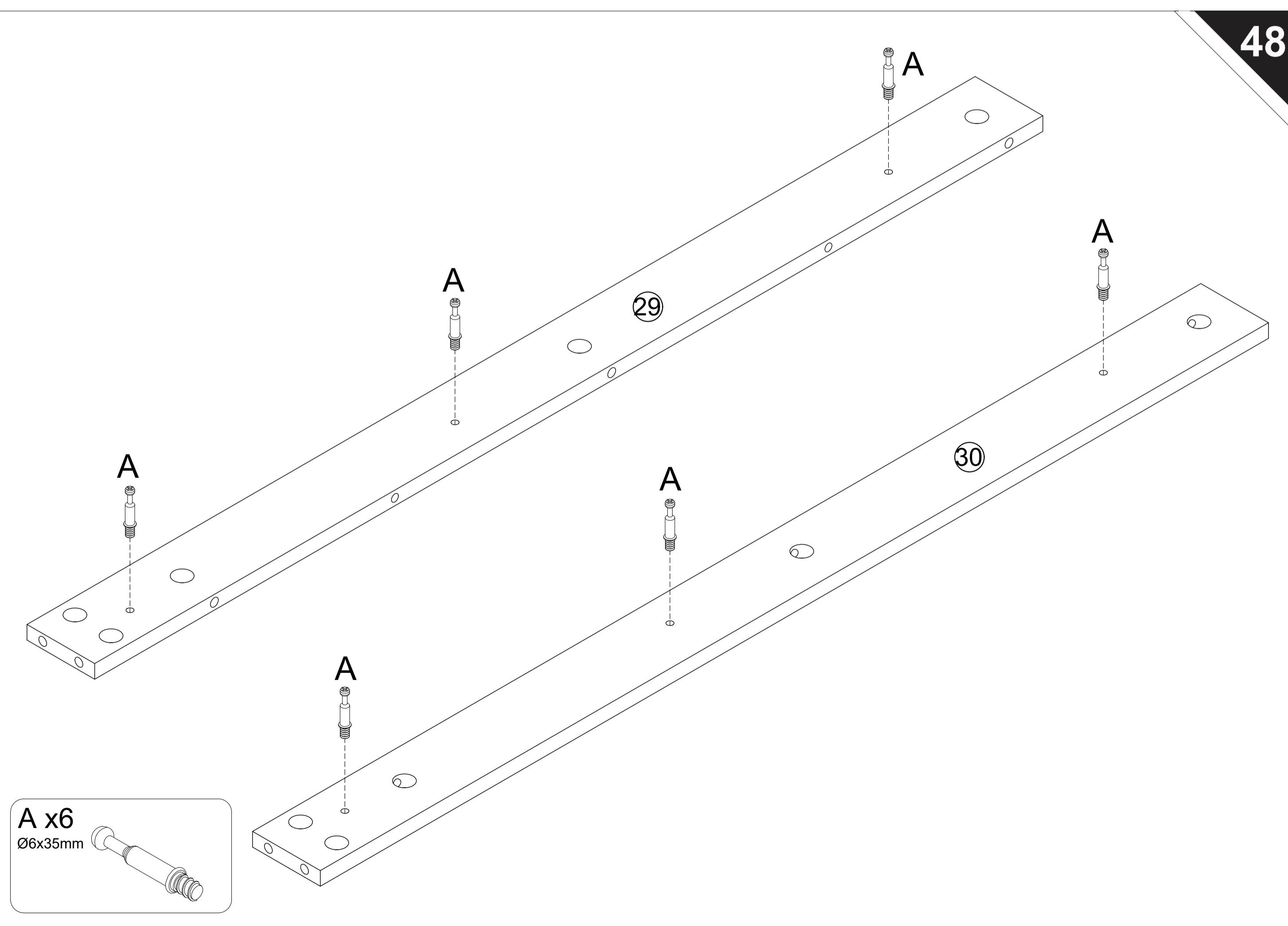
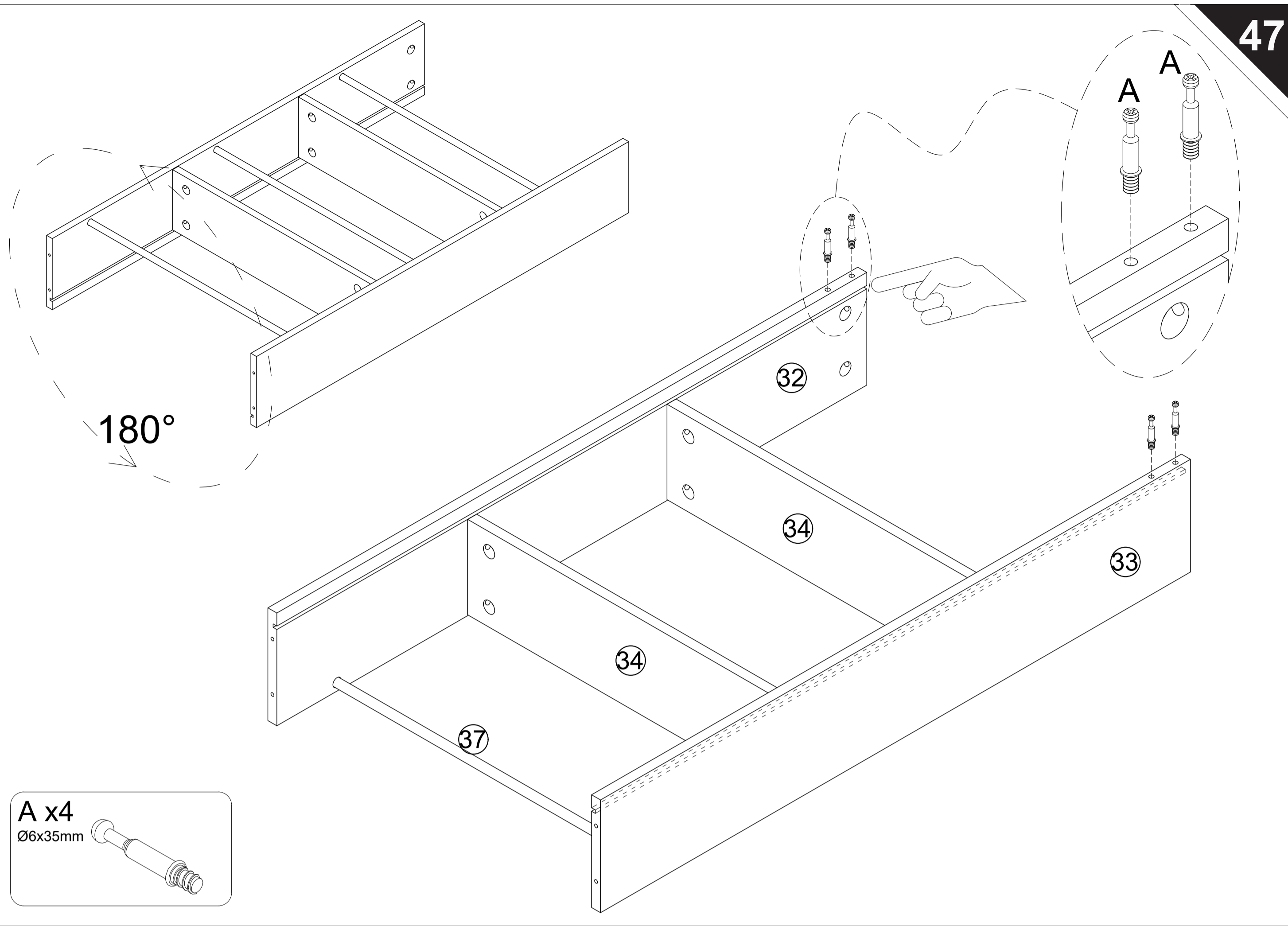


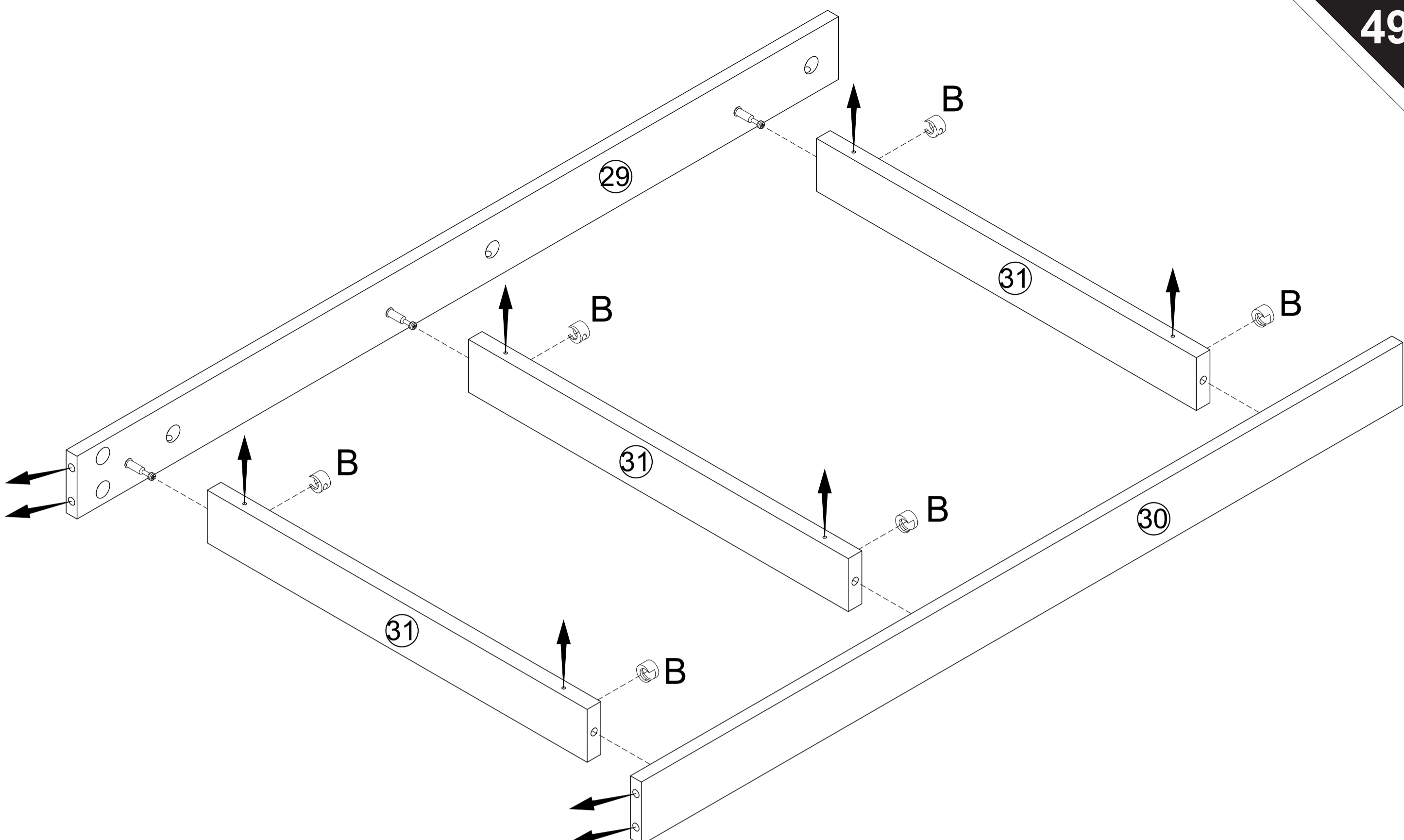
Loosen this screw and push forward/backward for a slight front-back adjustment of the door.



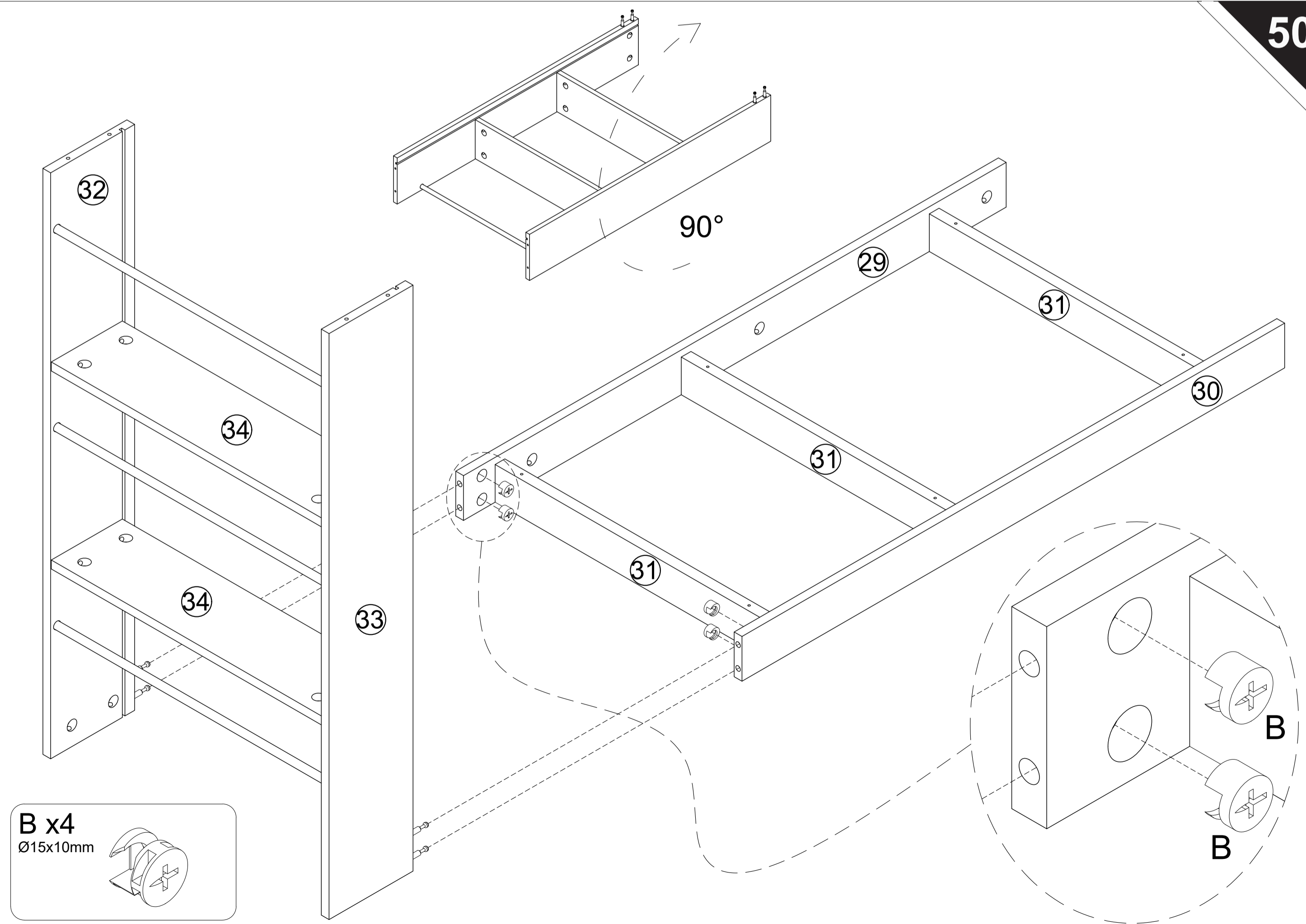
T	Q	S
3x12	3x16	3.5x14



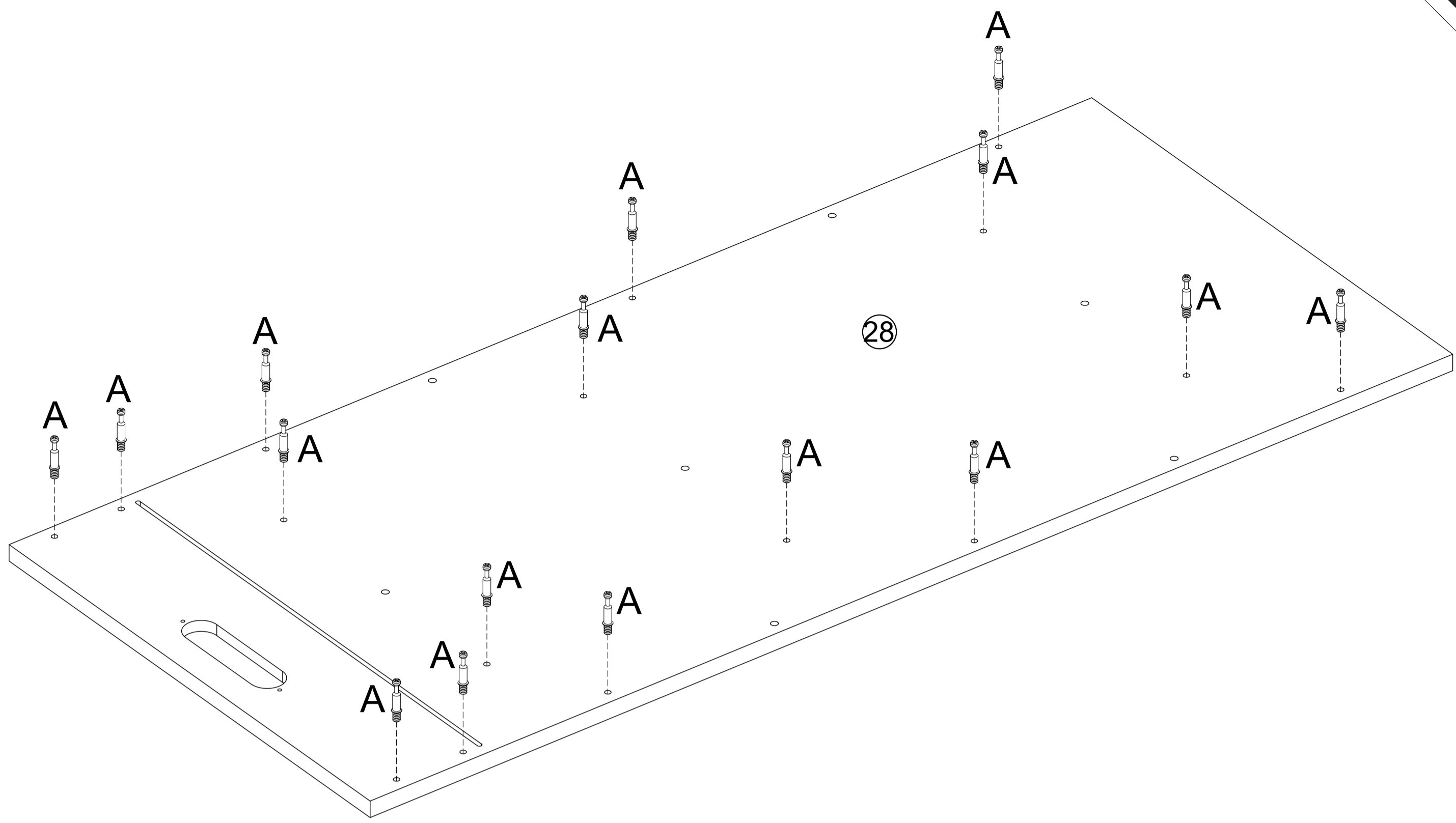




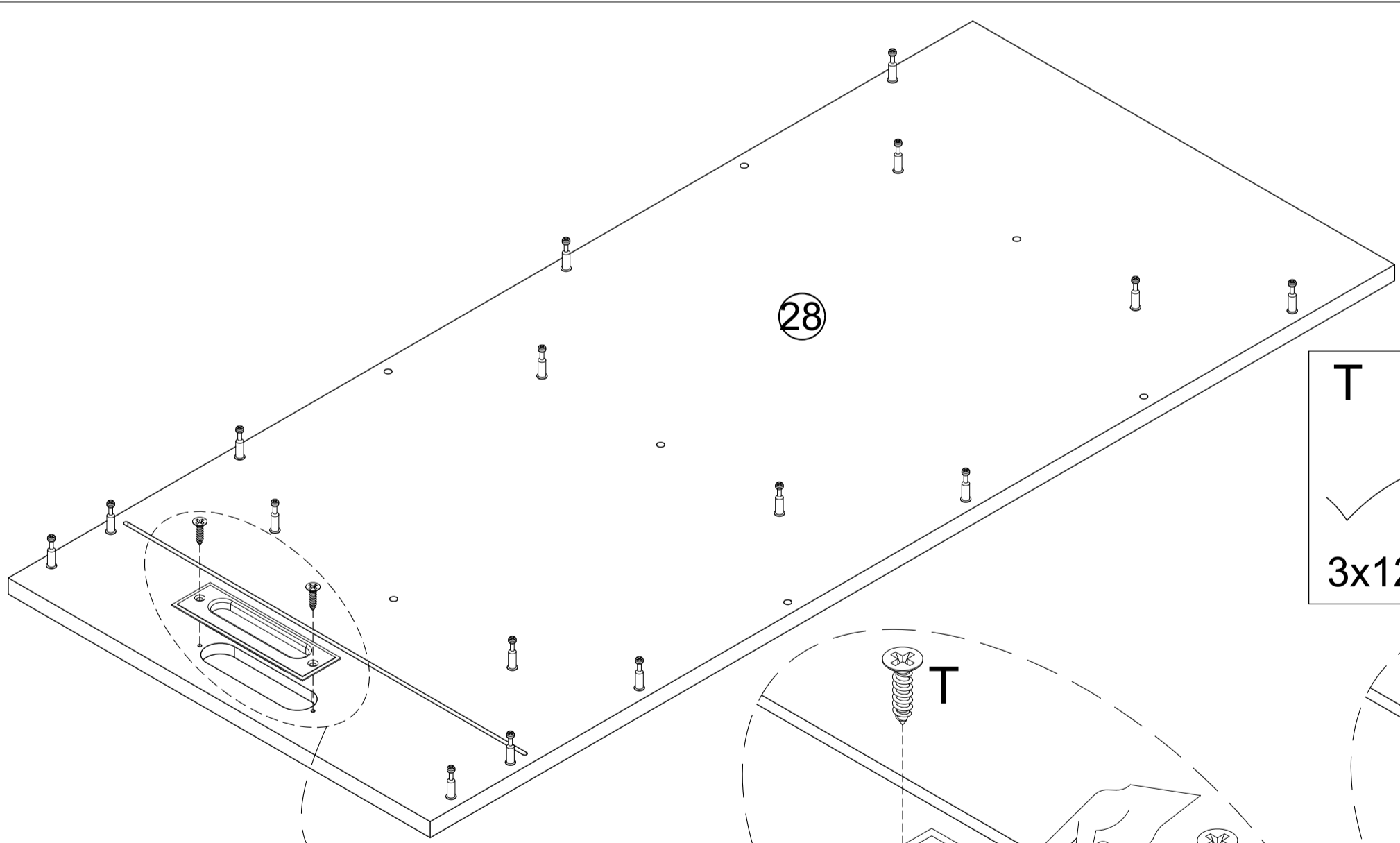
**B x6**  
 Ø15x10mm



**B x4**  
 Ø15x10mm



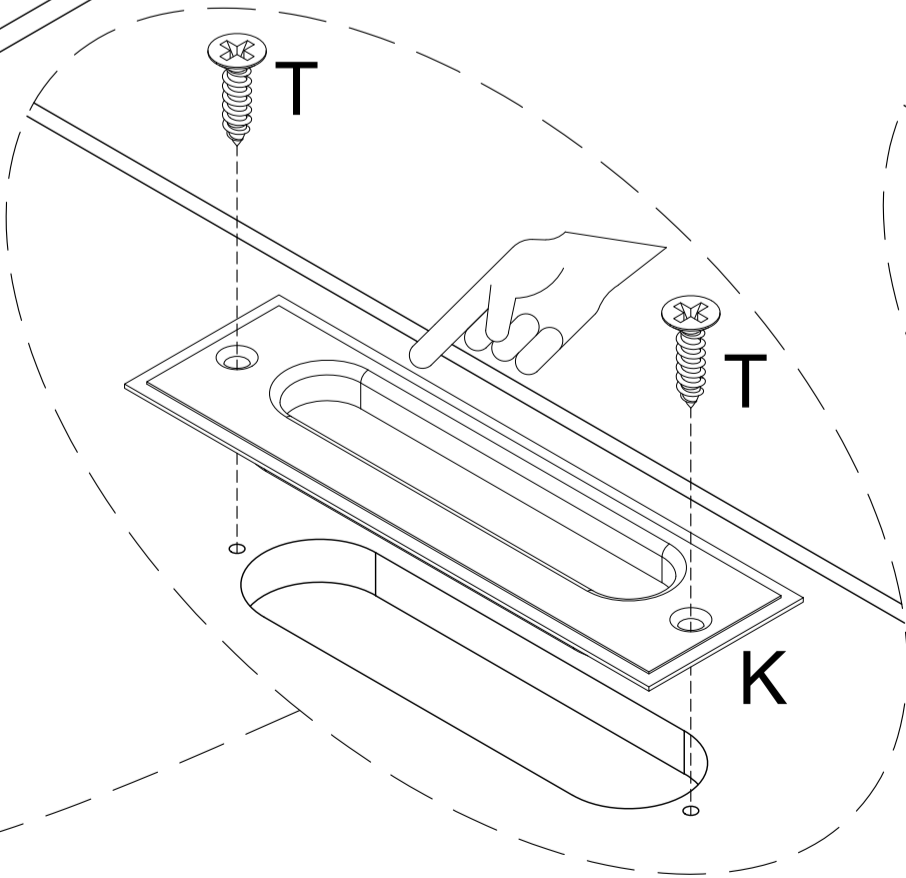
**A x16**  
 Ø6x35mm



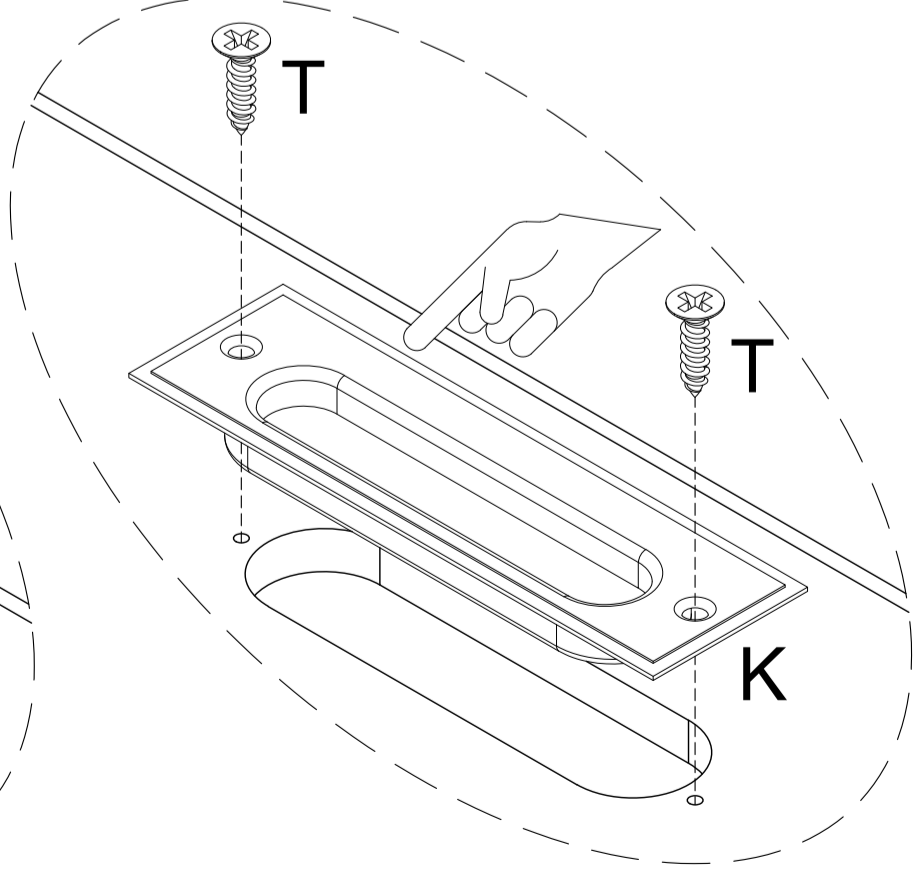
<b>T</b> ✓ 3x12	<b>Q</b> ✗ 3x16	<b>S</b> ✗ 3.5x14
-----------------------	-----------------------	-------------------------

**K x1**

**T x2**  
 3x12mm

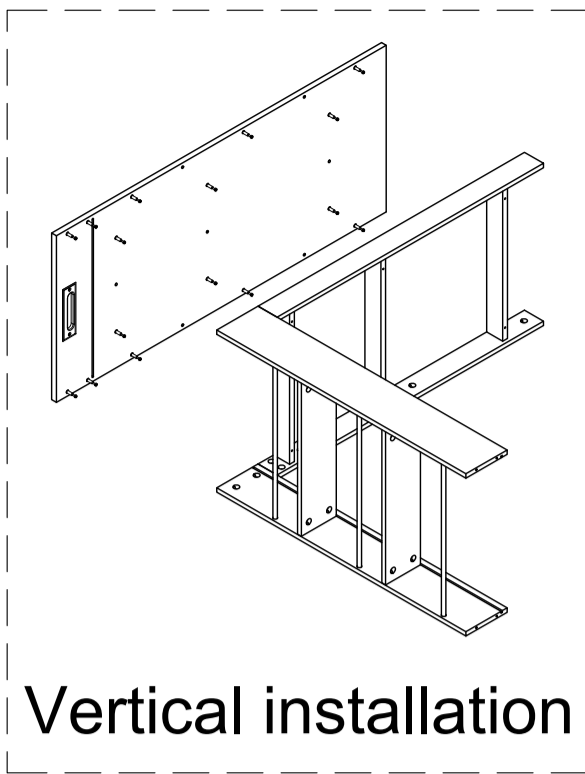
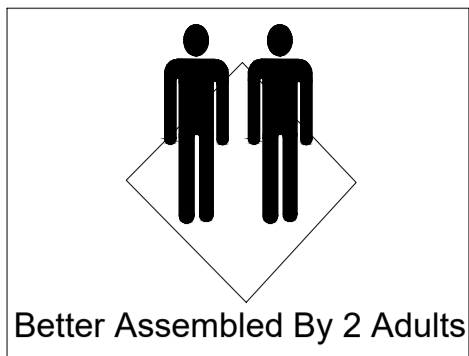


correct



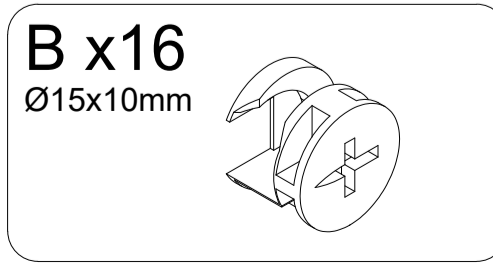
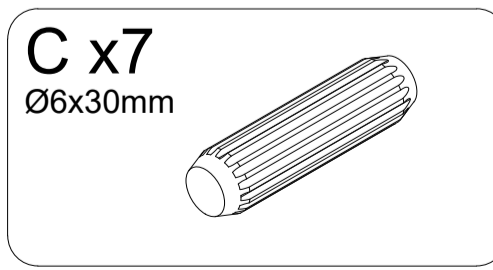
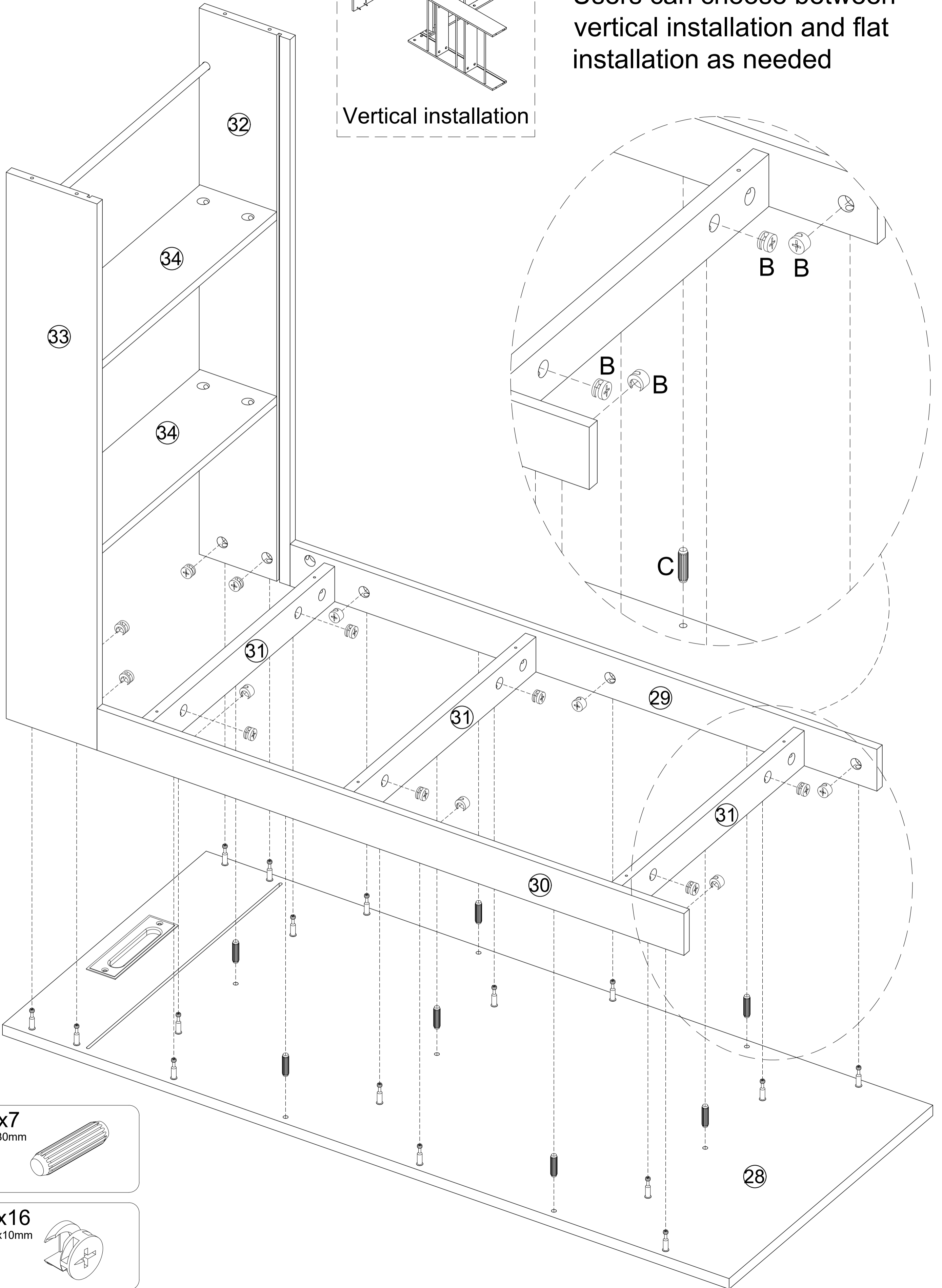
wrong



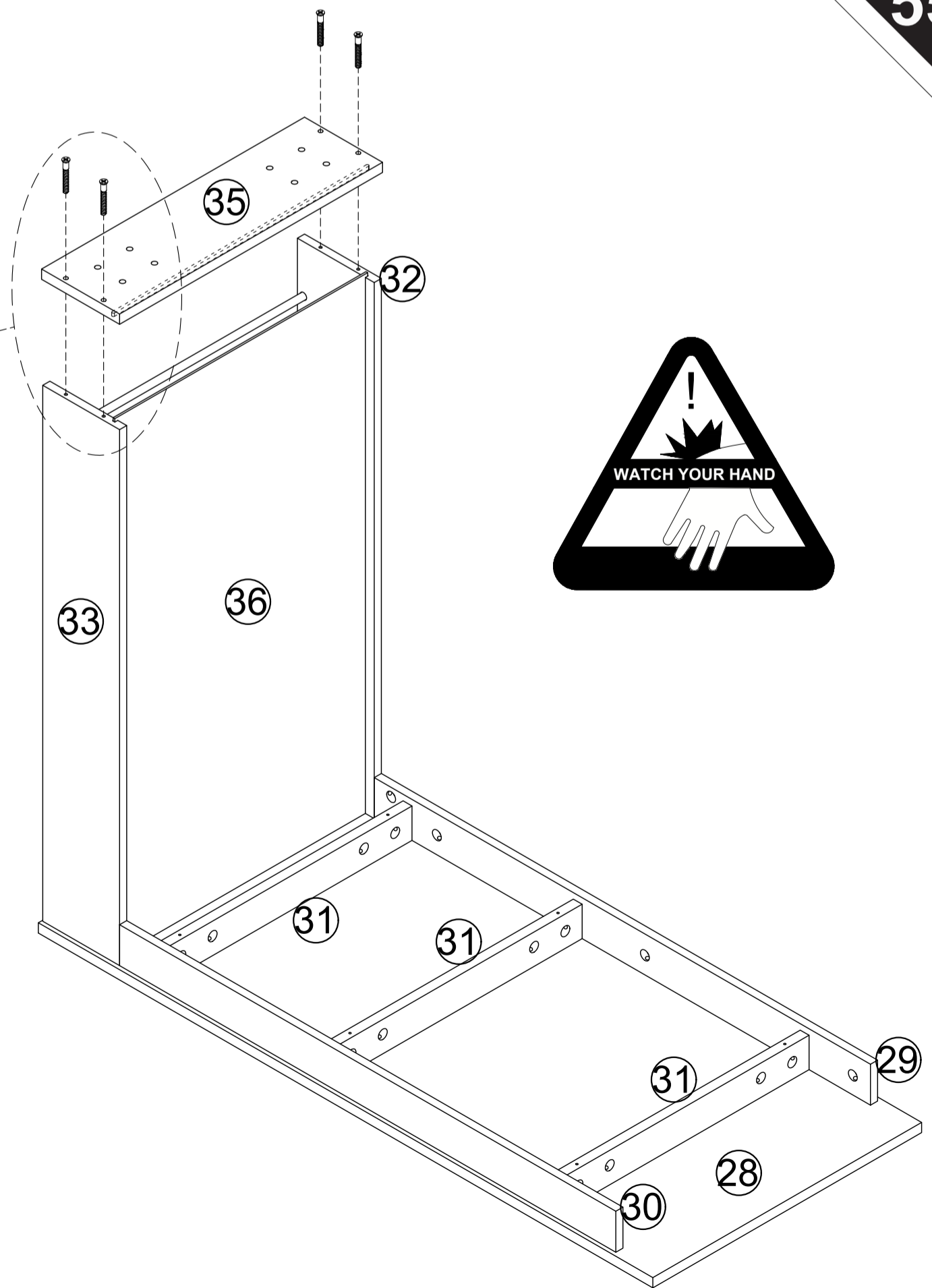
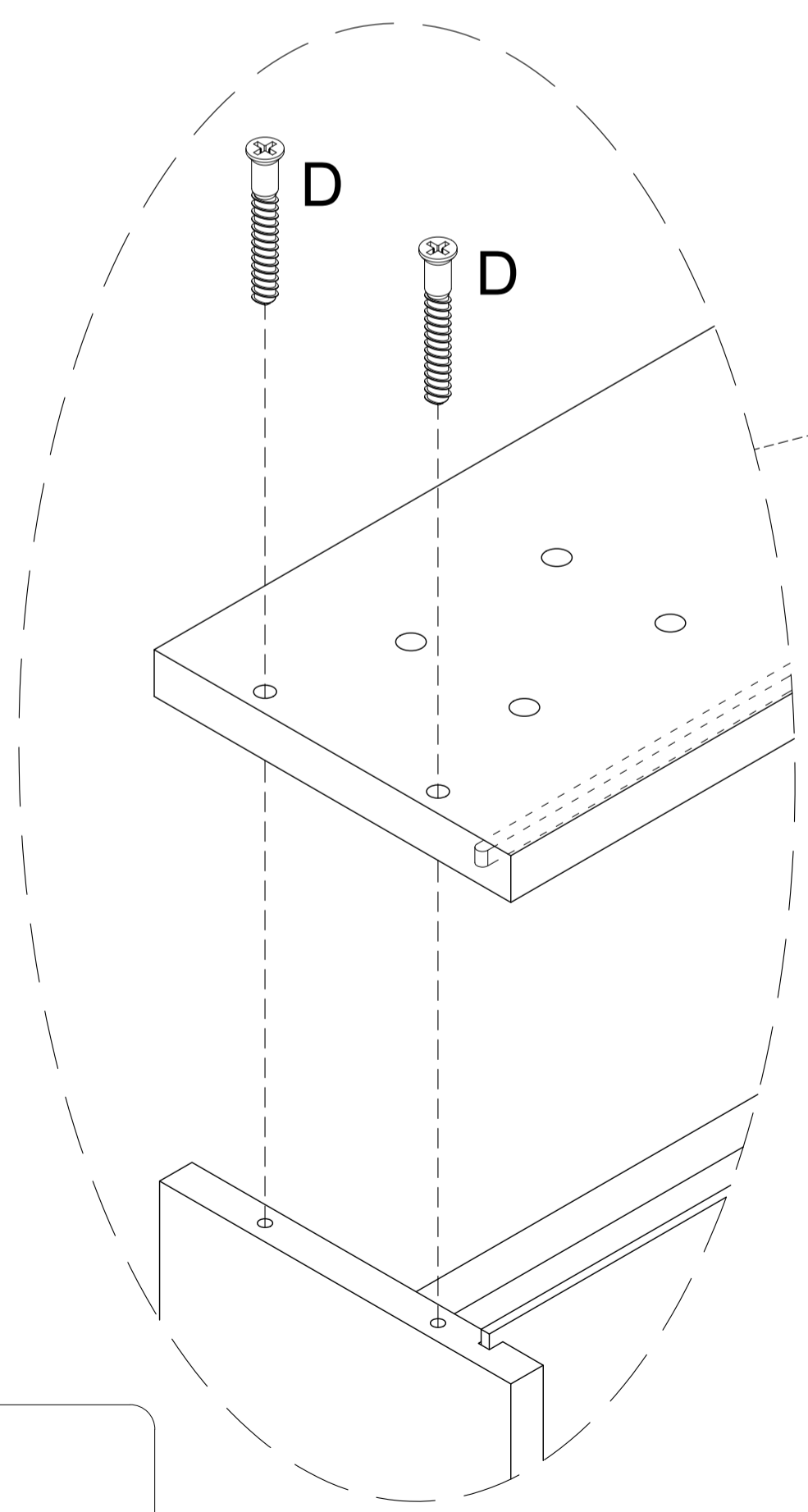
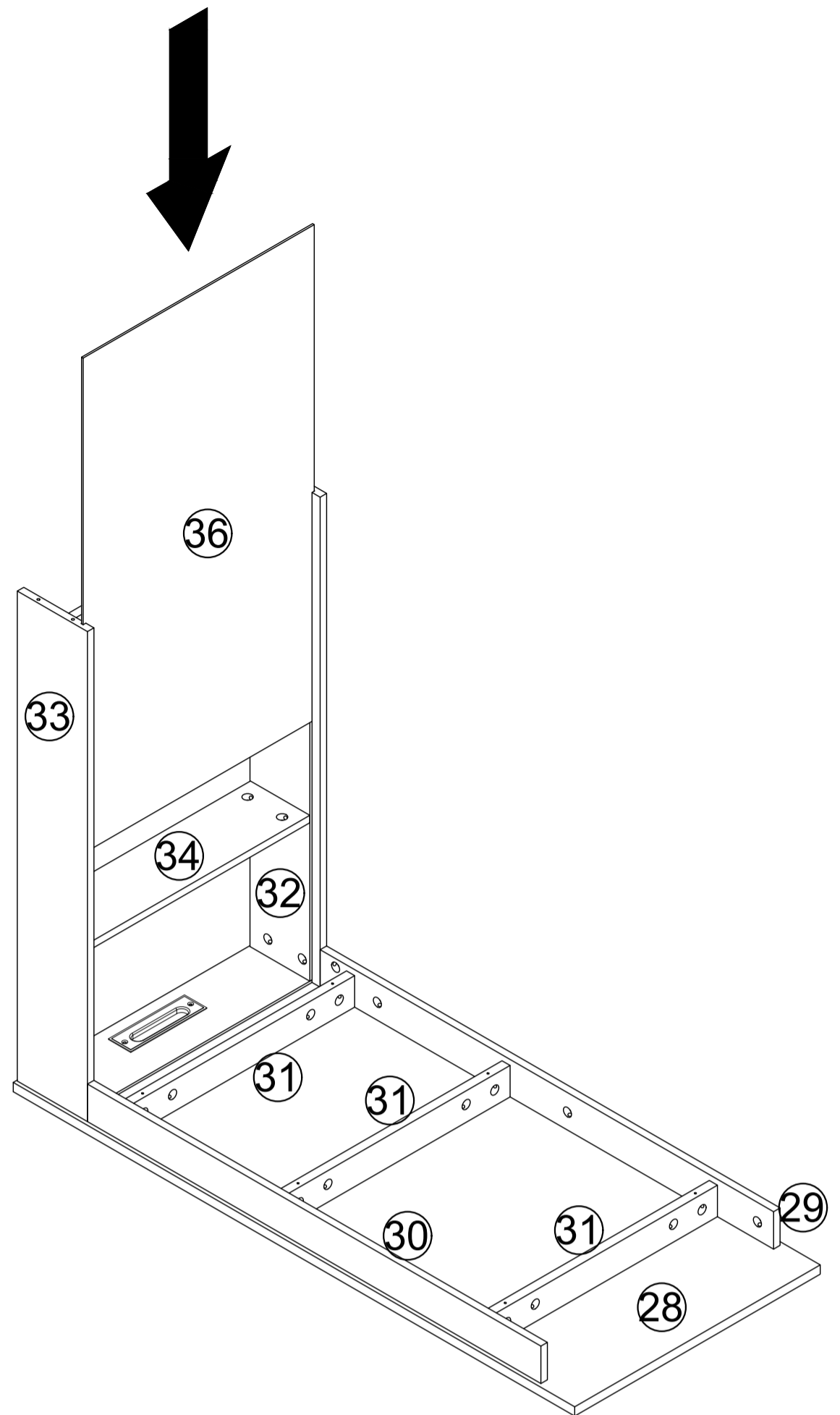


Vertical installation

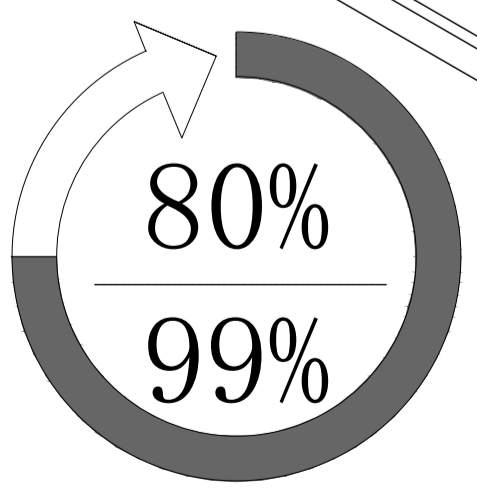
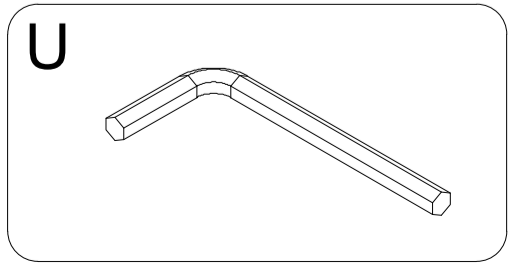
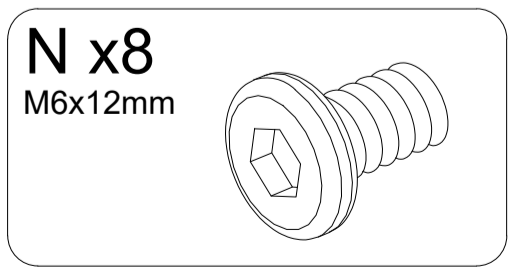
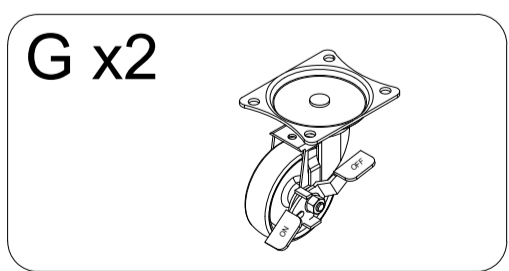
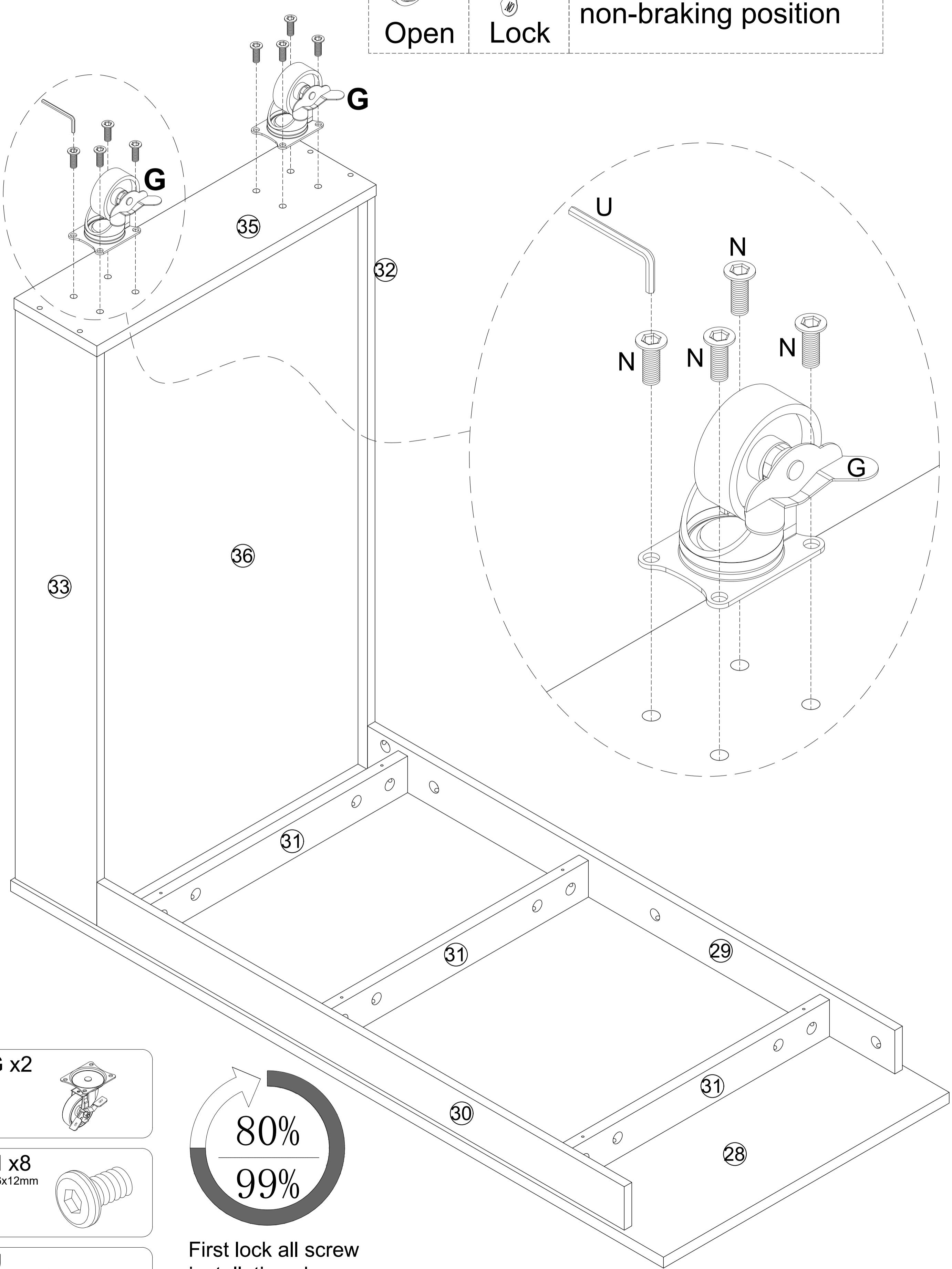
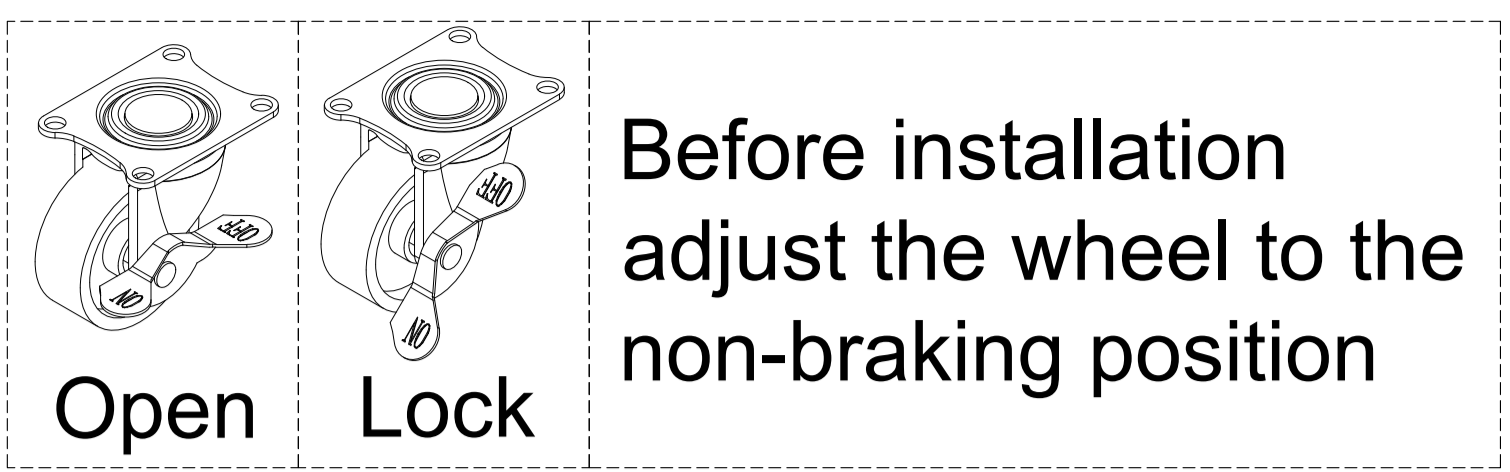
**Friendly Reminder**  
Users can choose between vertical installation and flat installation as needed



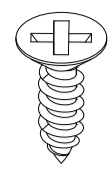
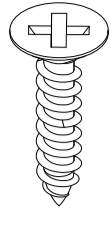
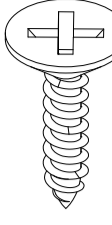
The thin plate needs to be fully inserted into the groove. If the insertion is not smooth, you can try pressing from the front or the back to make adjustments until the thin plate is fully inserted into the groove.

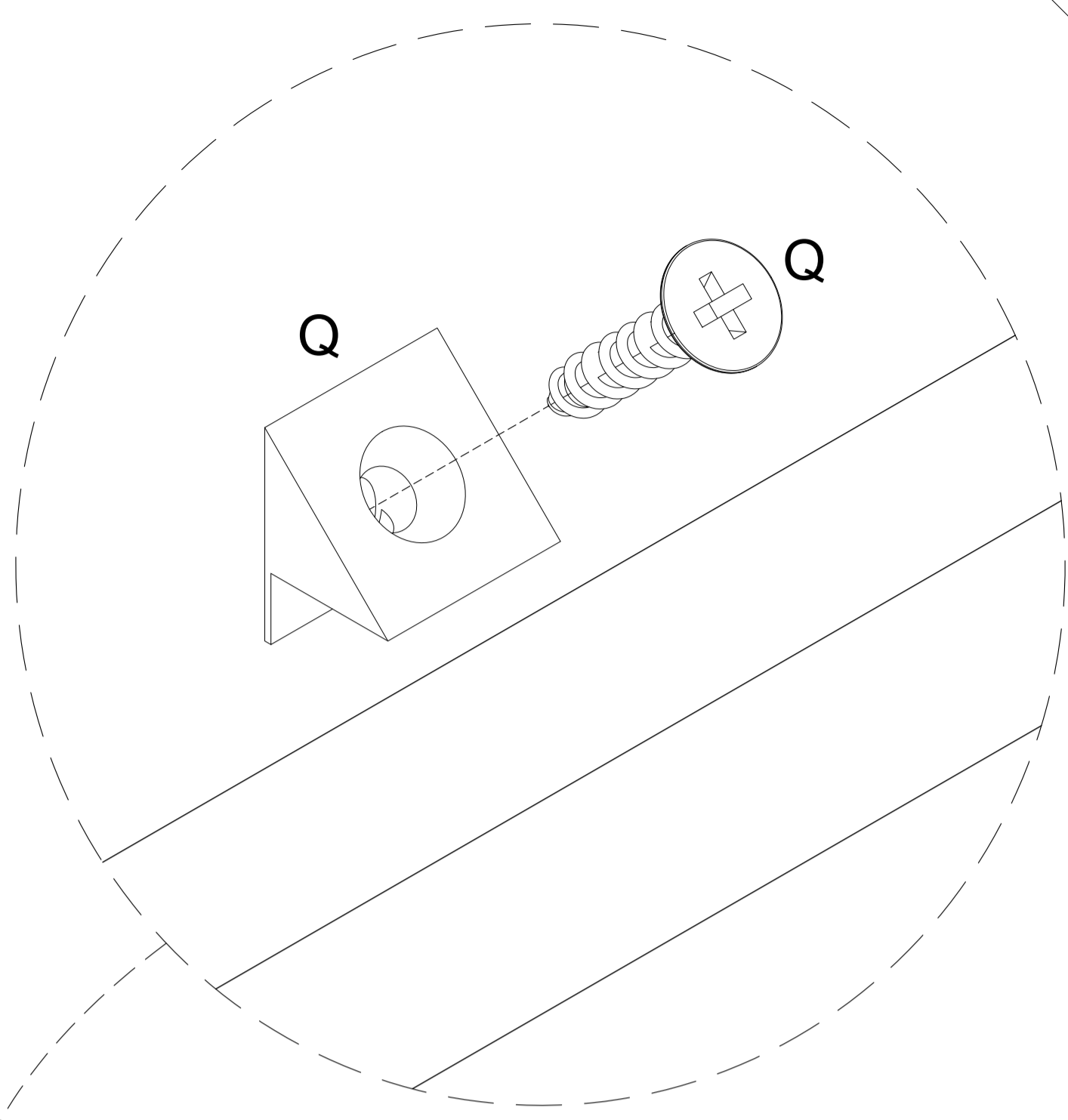
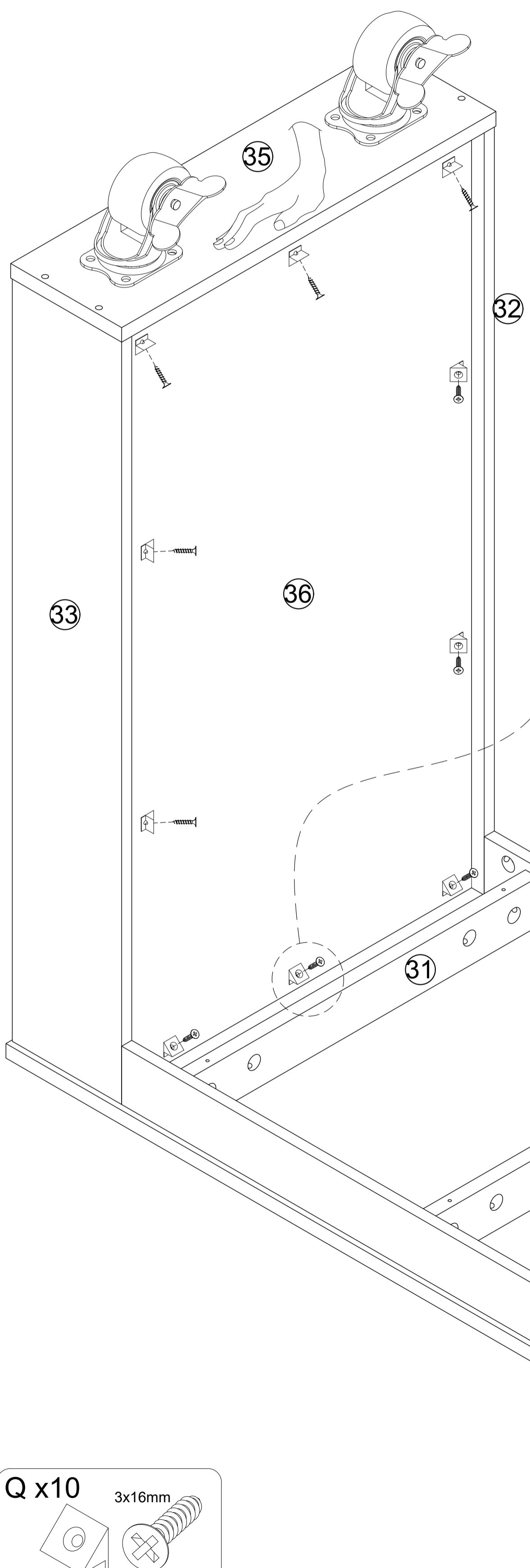


D x4  
 Ø5x38mm



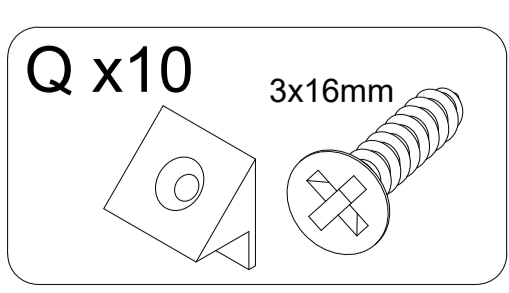
First lock all screw  
installations by  
80%, then lock  
uniformly by 99%

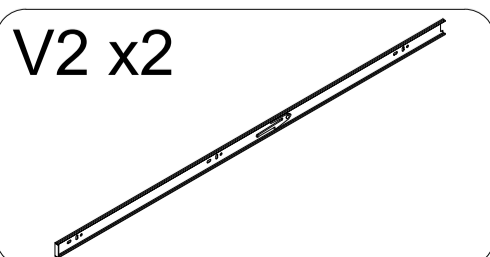
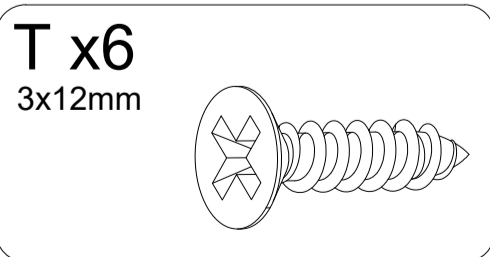
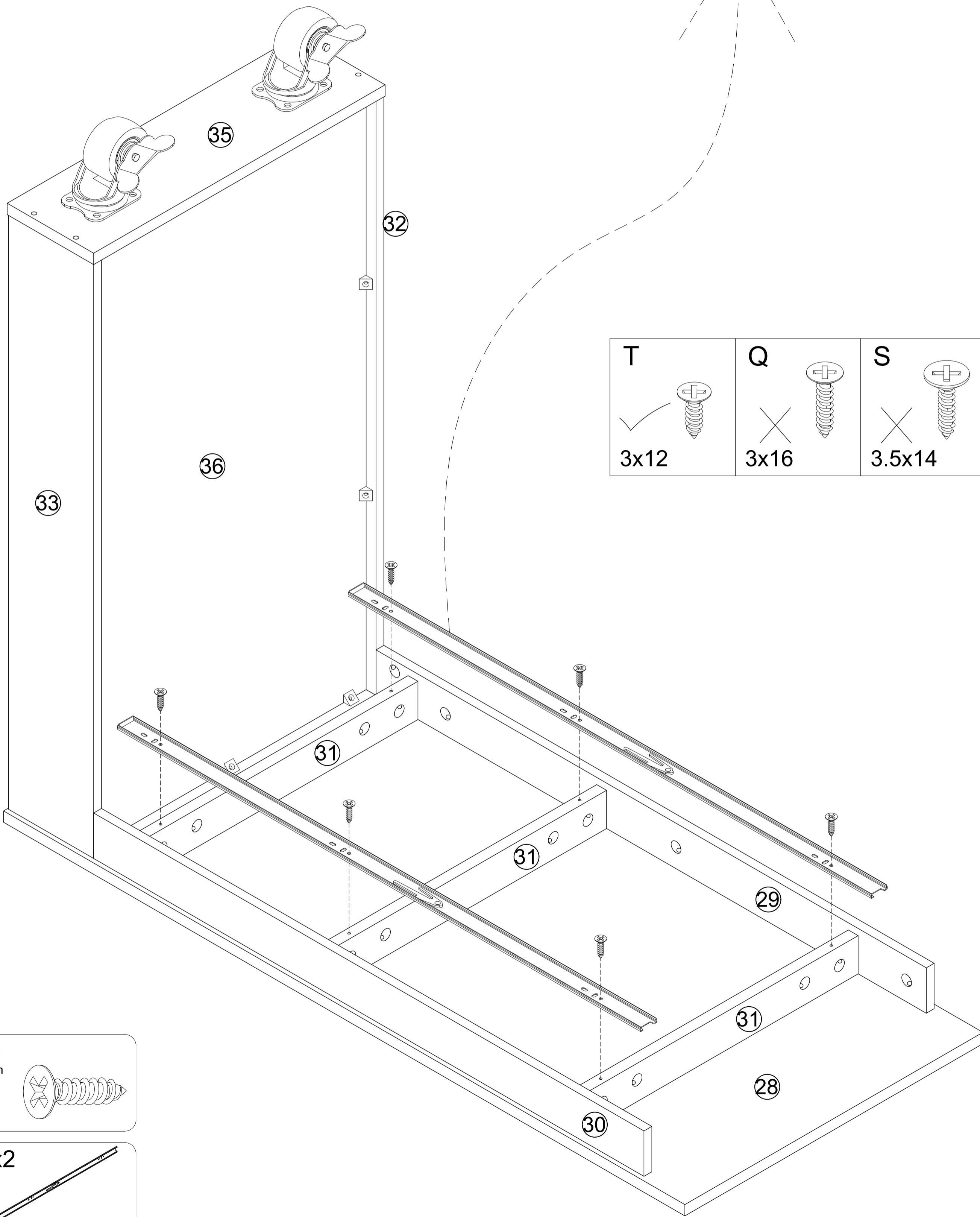
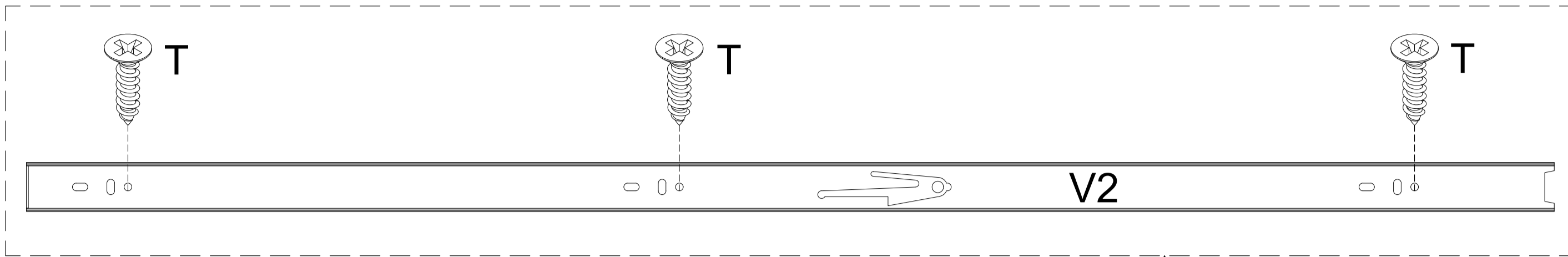
<p>T</p>  <p>3x12</p>	<p>Q</p>  <p>3x16</p>	<p>S</p>  <p>3.5x14</p>
--	--	--



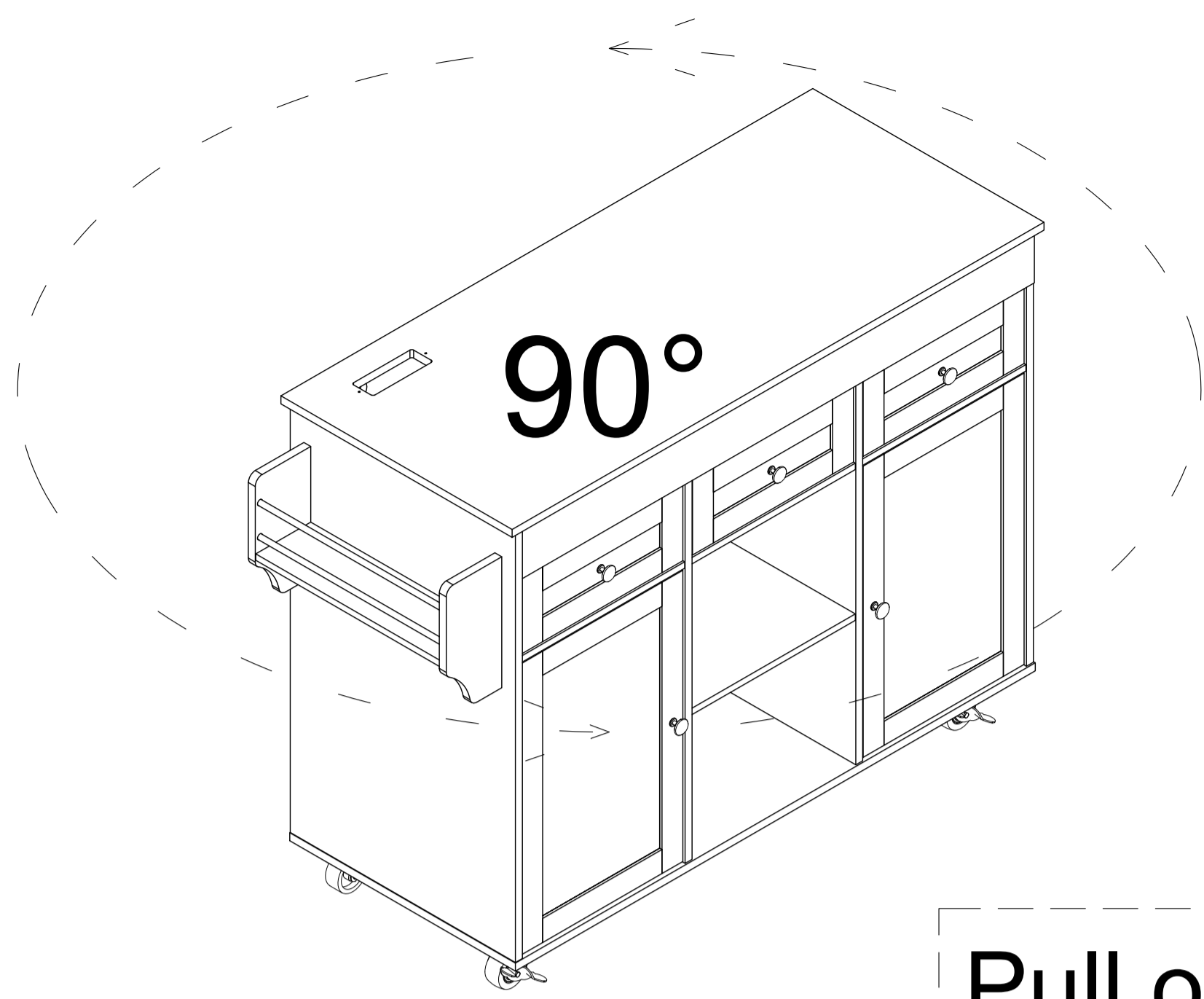
## Friendly Reminder

If users prefer aesthetics they may choose not to install it

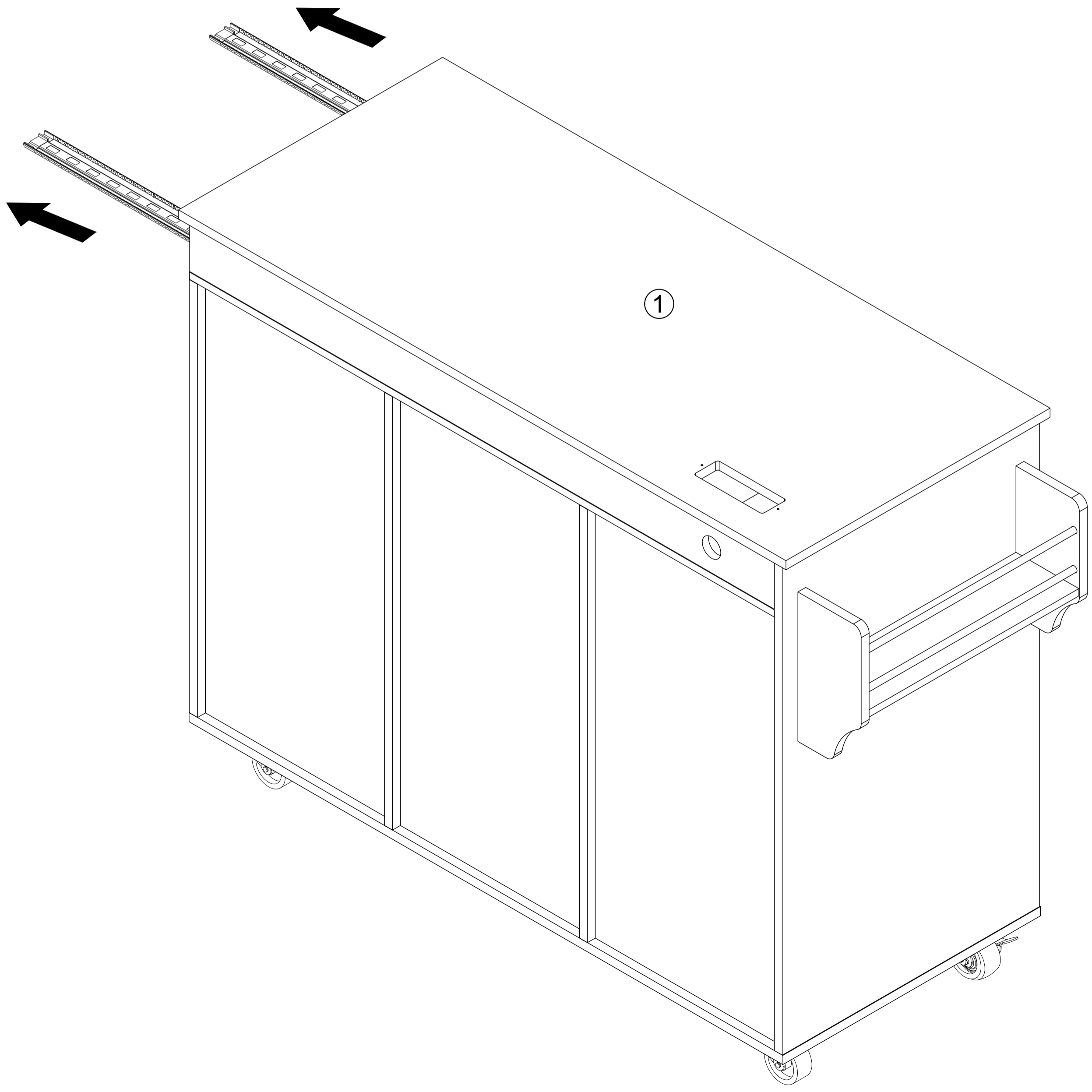


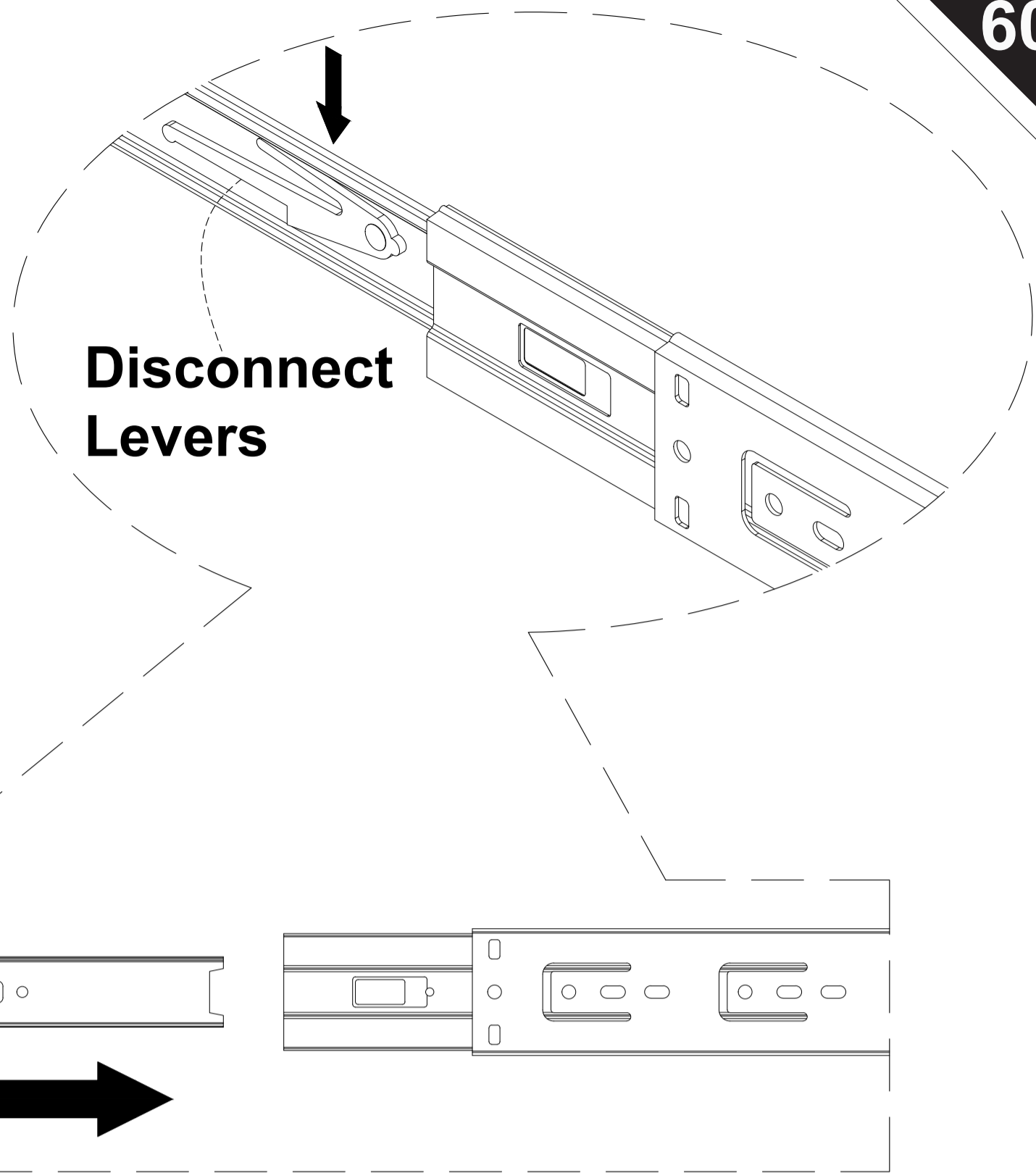
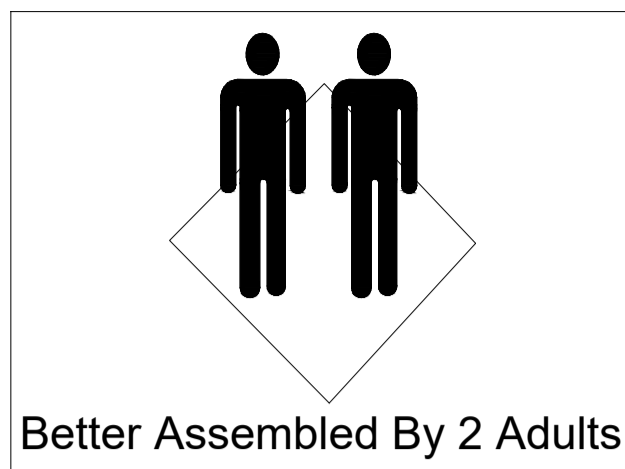


T	Q	S
✓	✗	✗
3x12	3x16	3.5x14

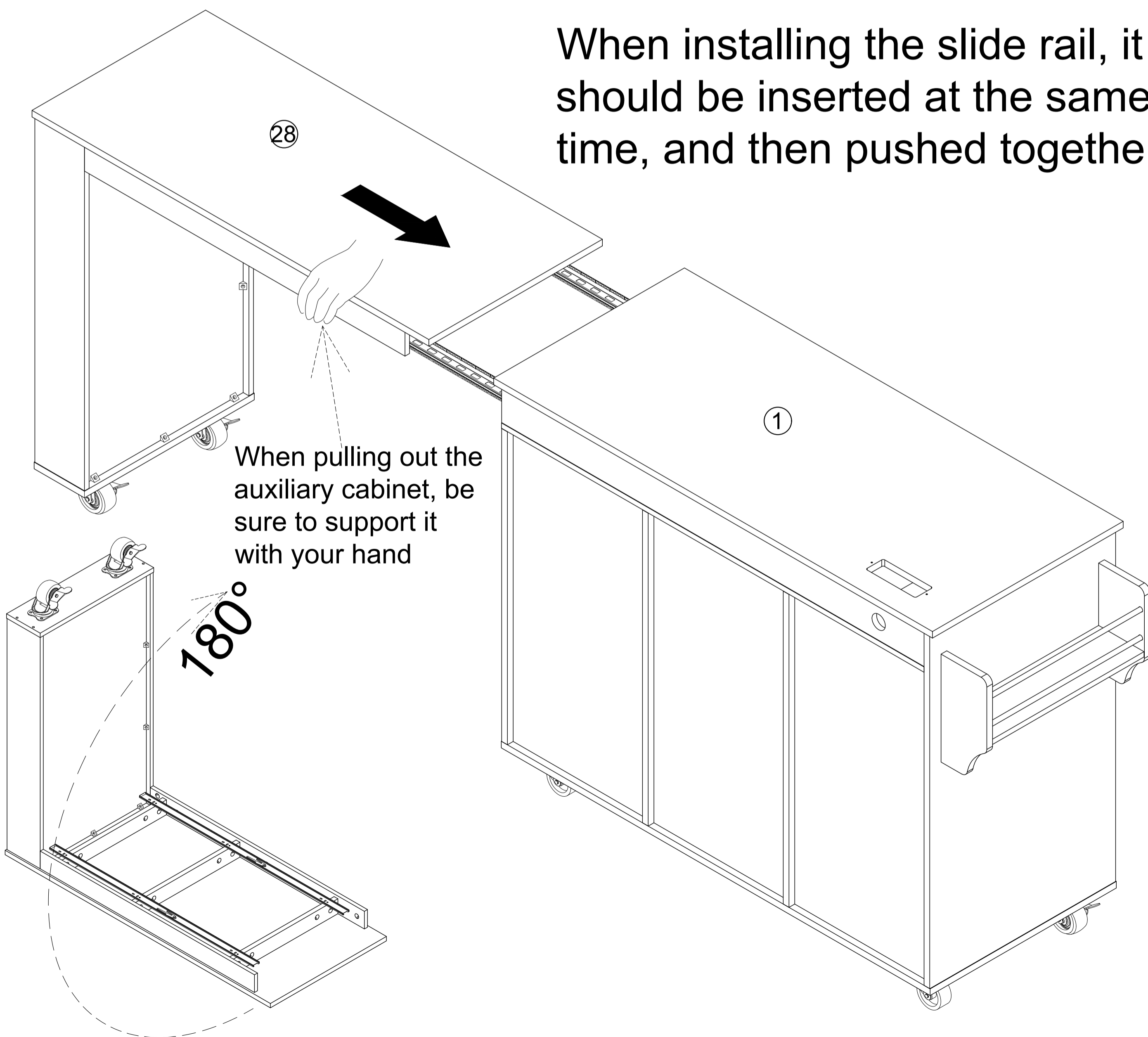


Pull out the slide rail as shown in the diagram



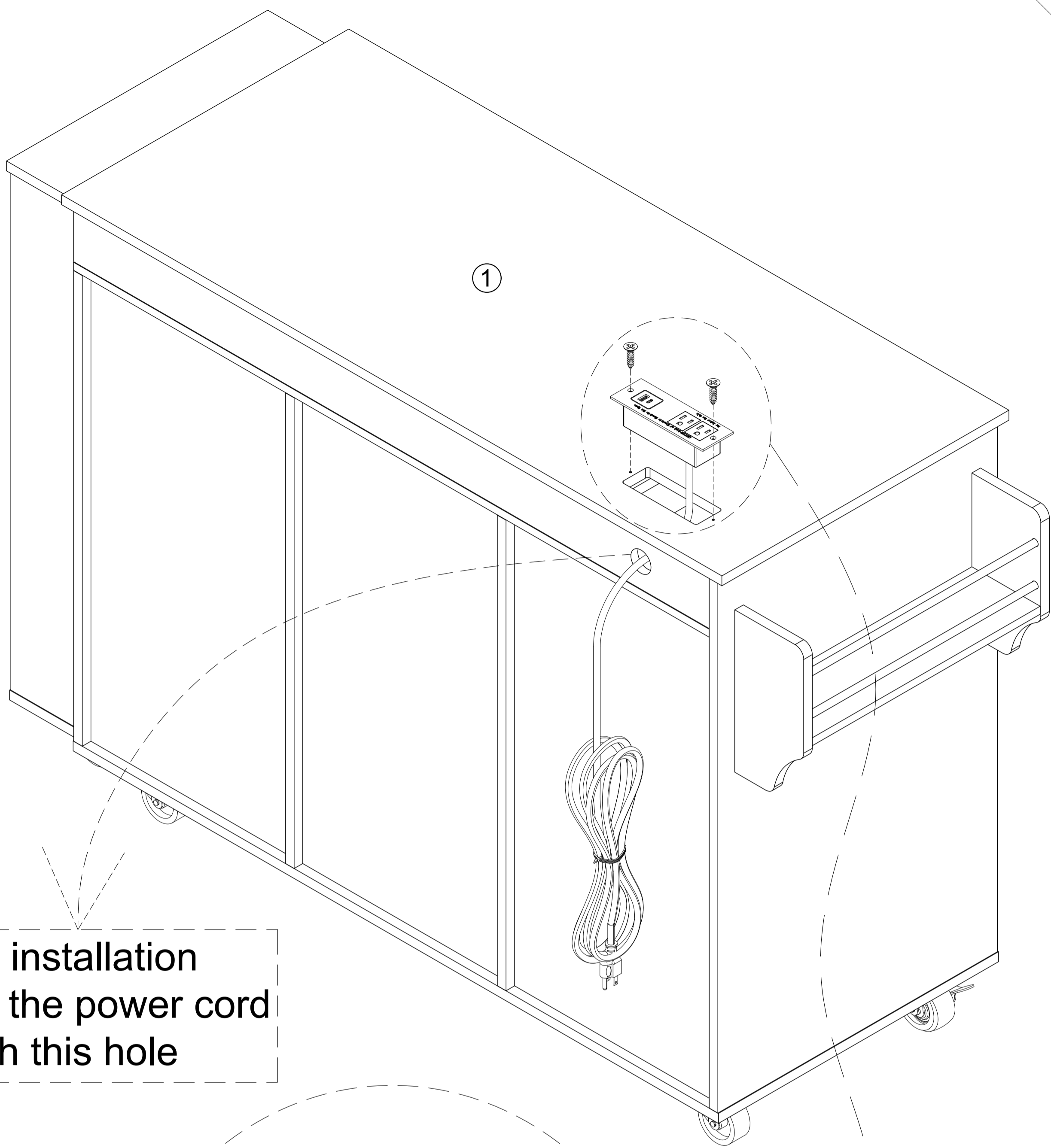


When installing the slide rail, it should be inserted at the same time, and then pushed together

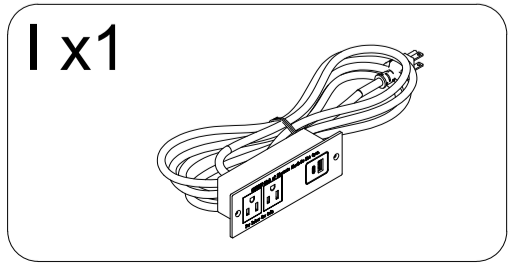
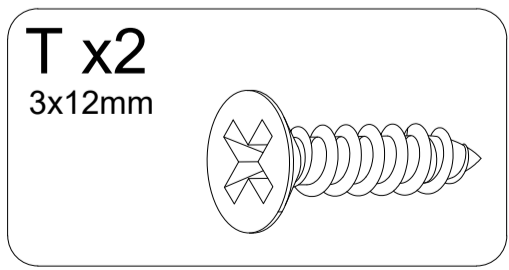
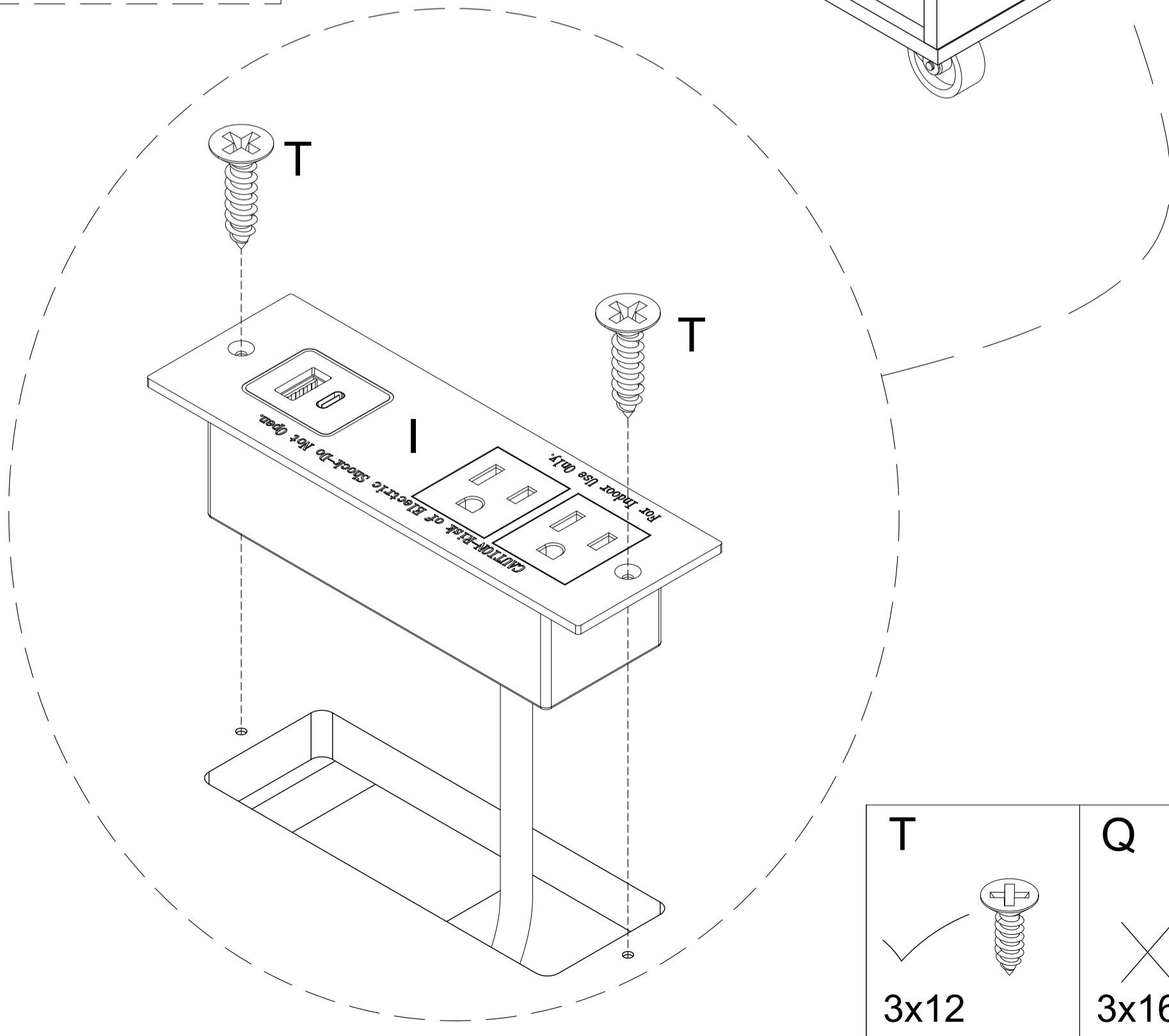


When pulling out the auxiliary cabinet, be sure to support it with your hand

180°

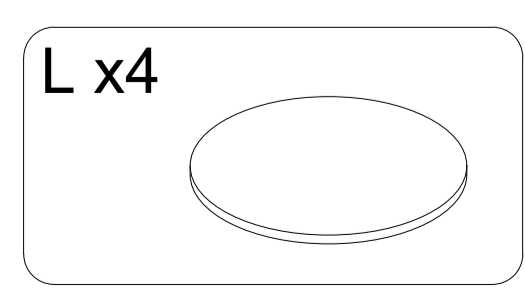
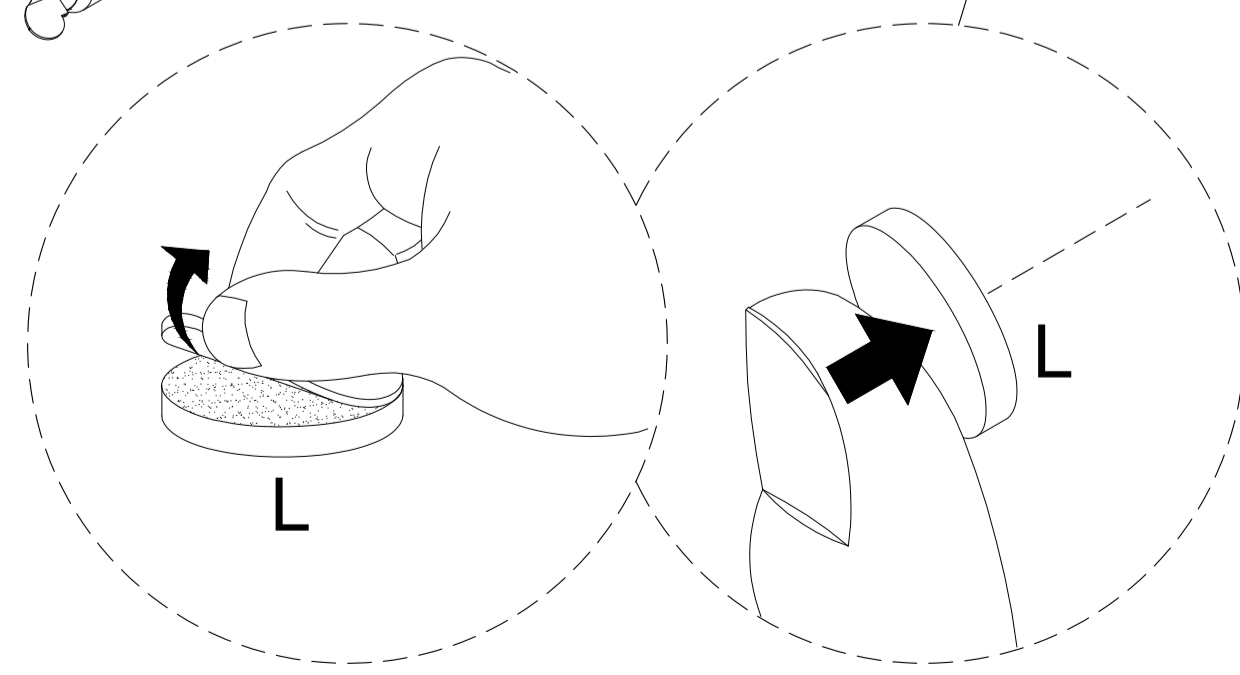
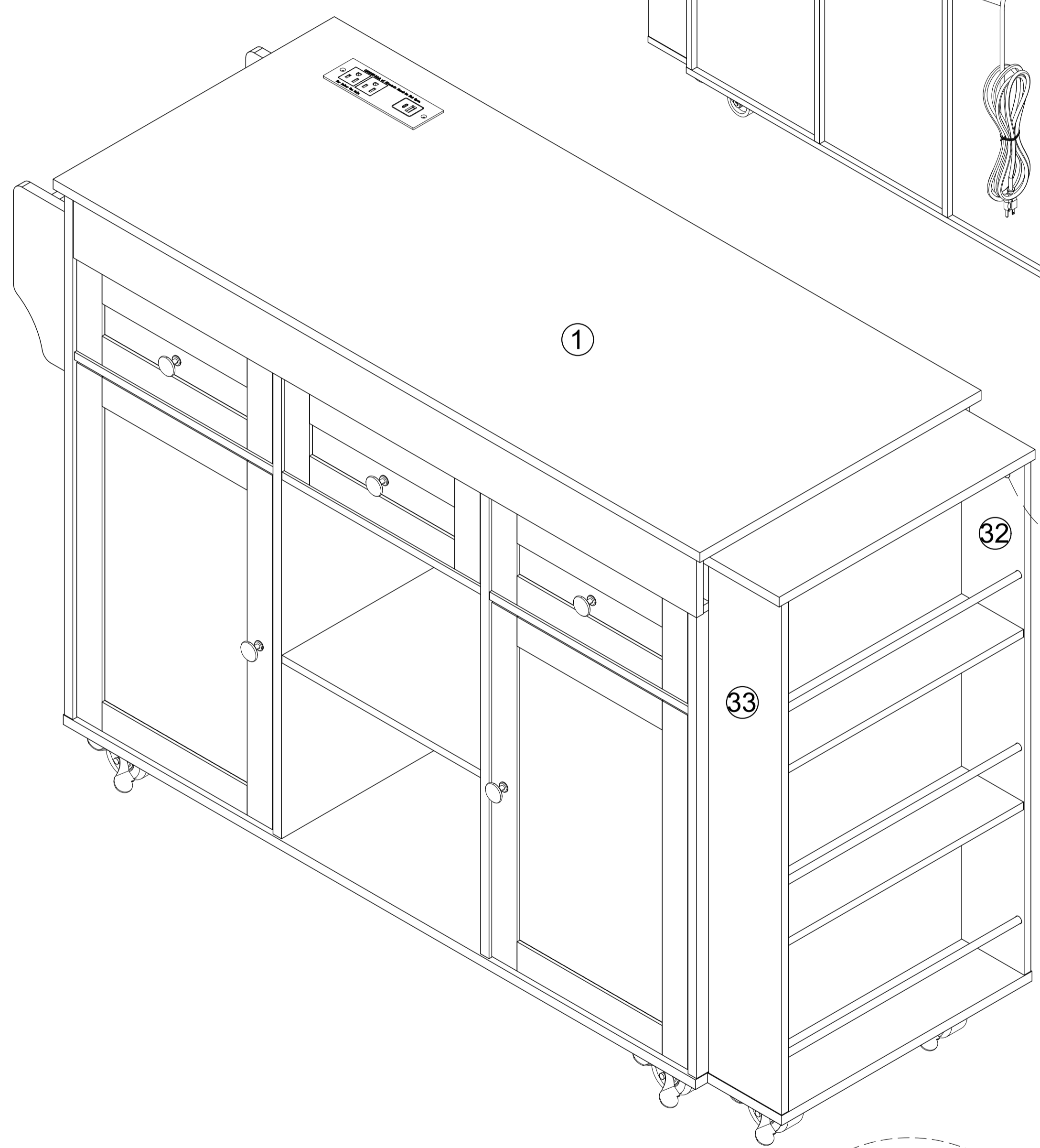
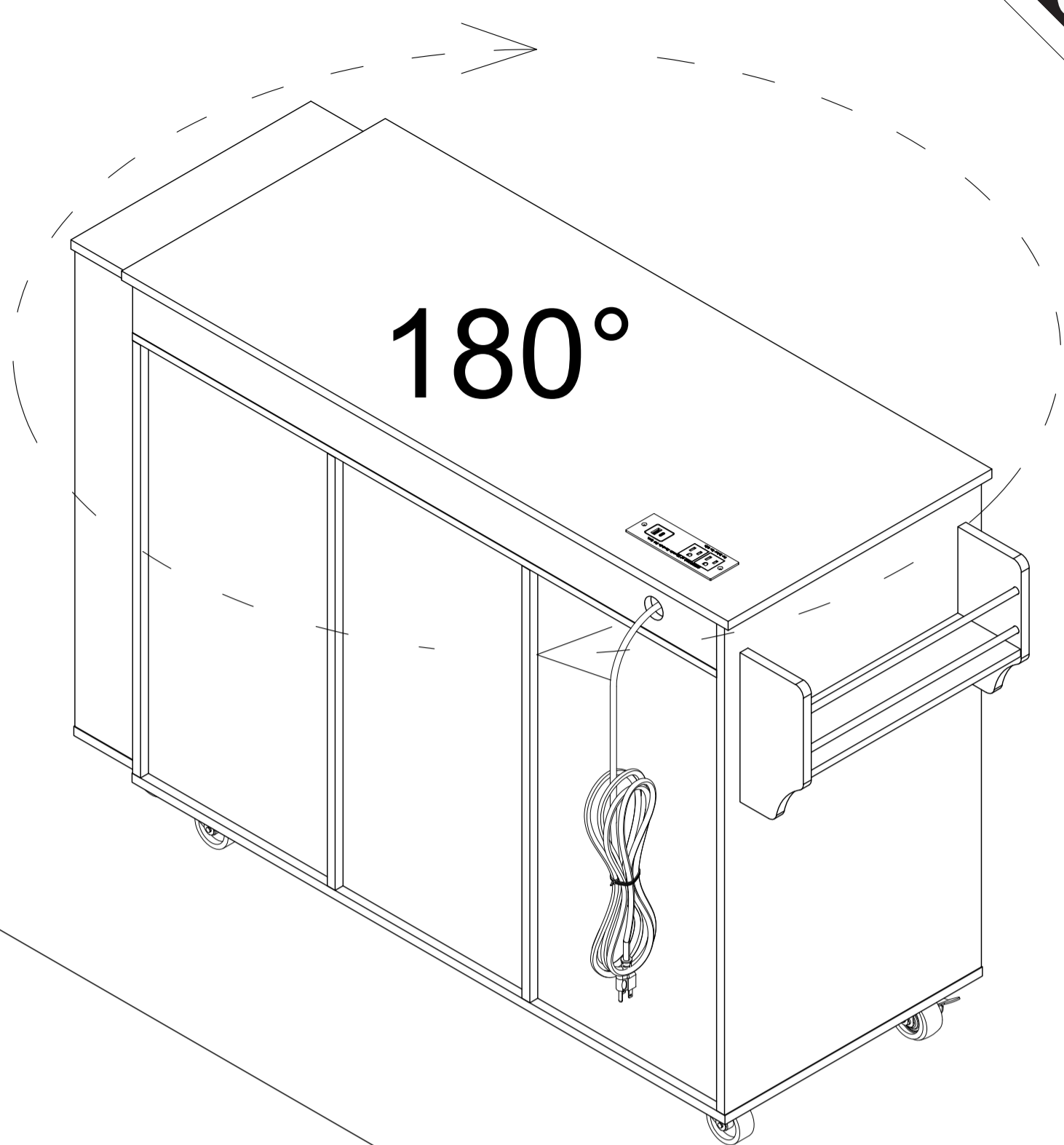


Before installation thread the power cord through this hole

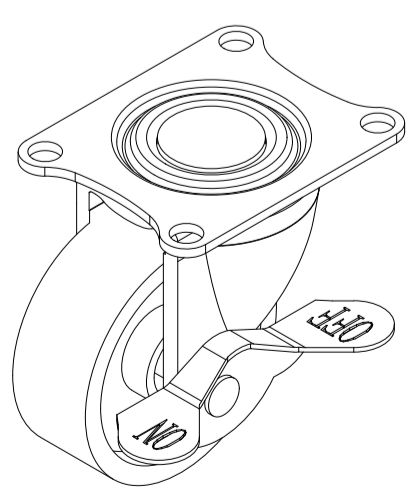
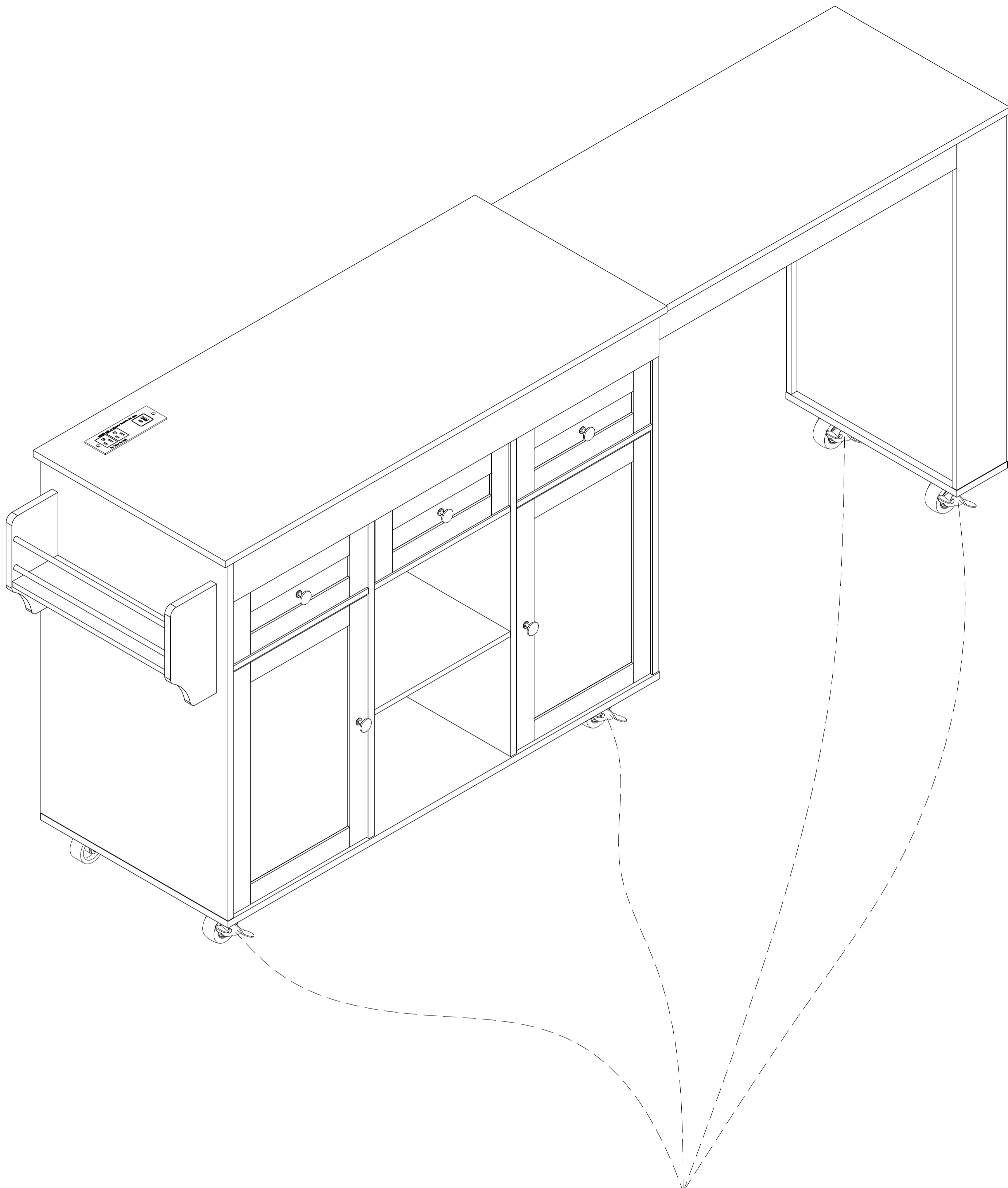


T	Q	S
3x12	3x16	3.5x14

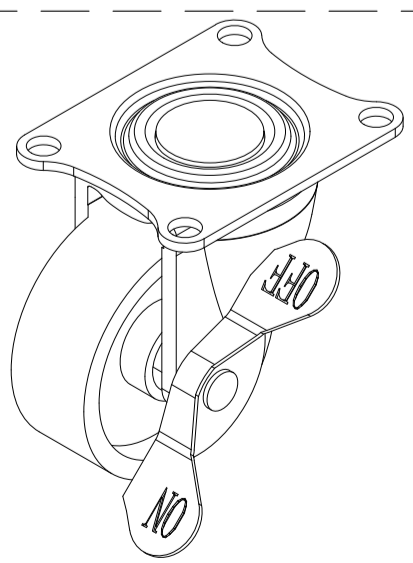




Cover the visible hole with a cap



**Open**




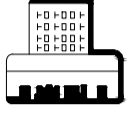





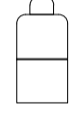

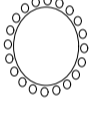







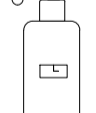



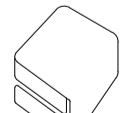
**Lock**

The table can be moved or secured by adjusting the wheel braking system

# Assembly Instructions

**Caution : You must read this before you proceed**

## Care & Maintenance

-   ● Not for commercial use. For residential use only.
-   ● Furniture may scratch floors. We recommend using furniture pads to protect your floors.
-   ● Do not put hot items directly on furniture surface.
-   ● Do not clean furniture with harsh cleansers or polish.
-   ● Do not place furniture under direct sunlight.
-   ● Do not place furniture near heating or cooling vents.
-   ● Do not write on furniture without a padded barrier to protect the surface.
-   ● Do not place furniture outside . For indoor use only.
-   ● Stains may be removed with mild soap solution and damp cloth.
-   ● Children should not climb or jump on the furniture.
-   ● Dust and pick-up spills using a clean, non-colored, lint-free cloth.