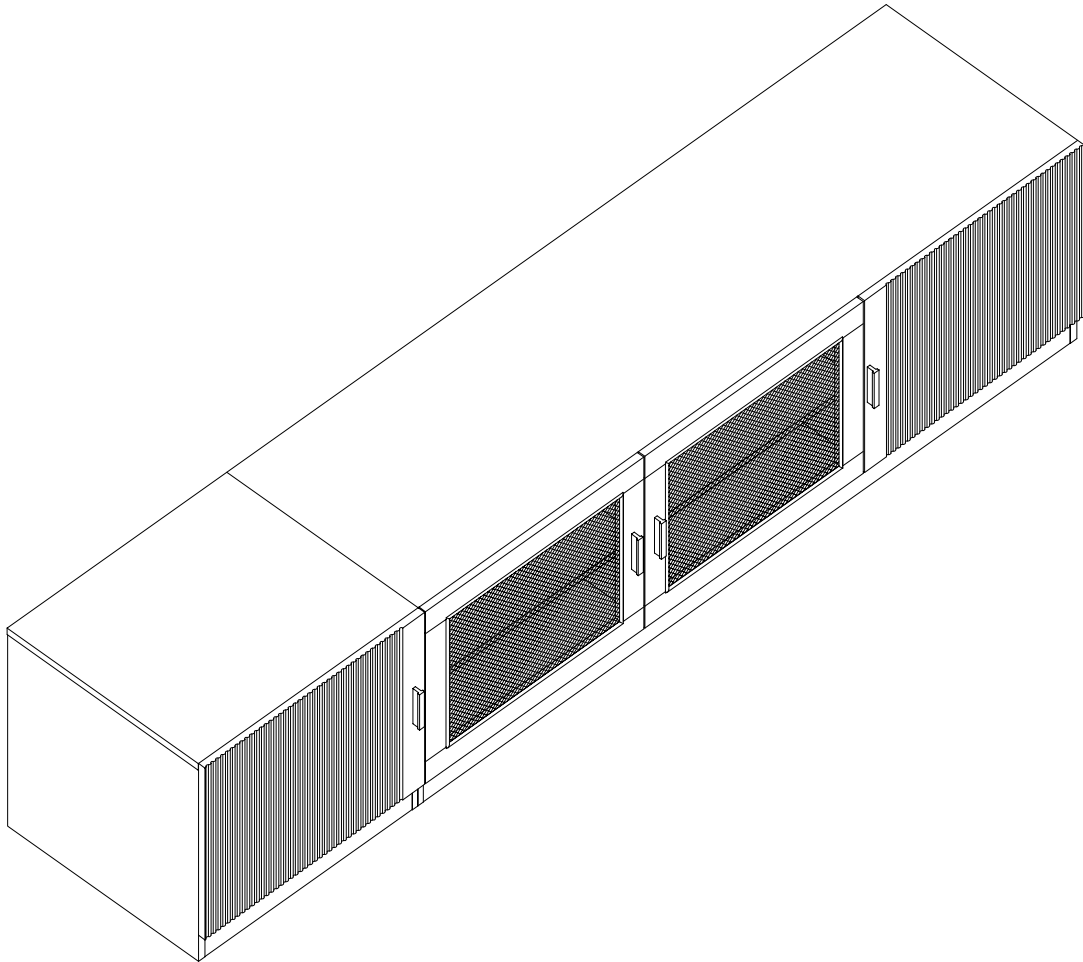


TV STAND-N710P362196P

Assembly Instructions - Please keep for future reference.



DIMENSIONS

width-78.75inch
Depth-17.75inch
Height-17.75inch

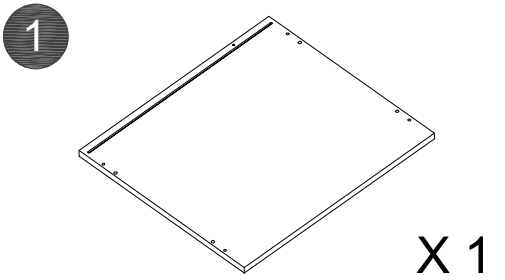
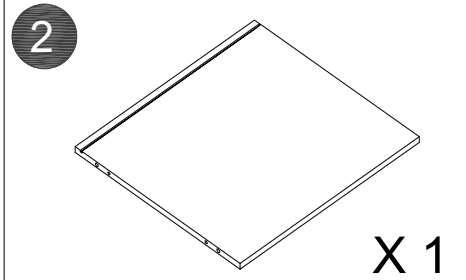
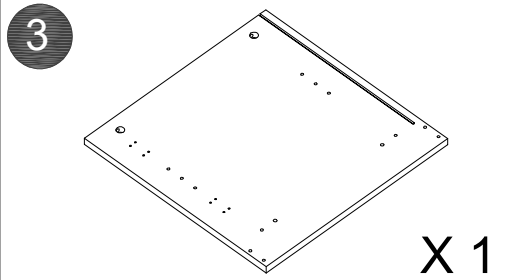
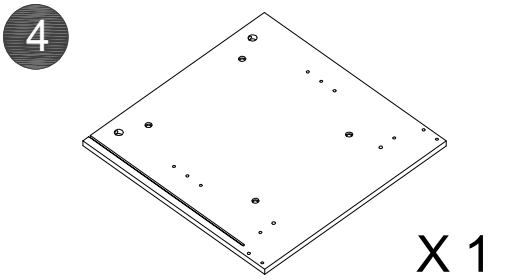
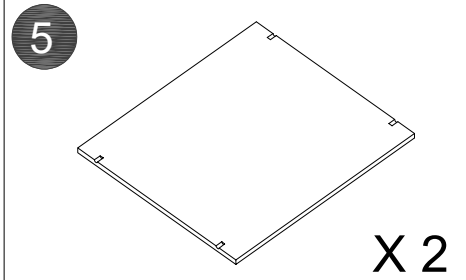
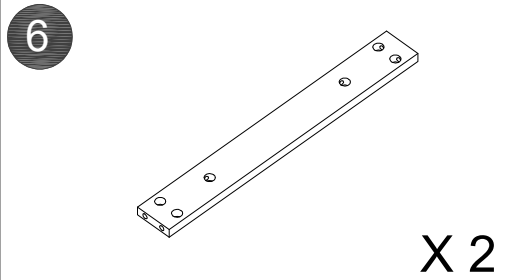
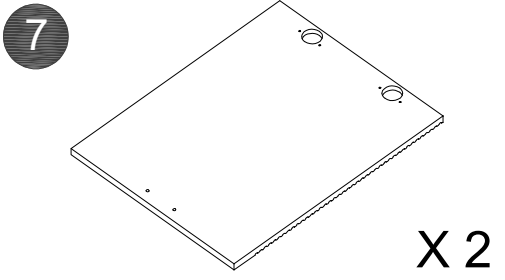
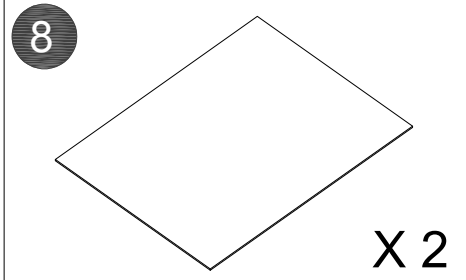
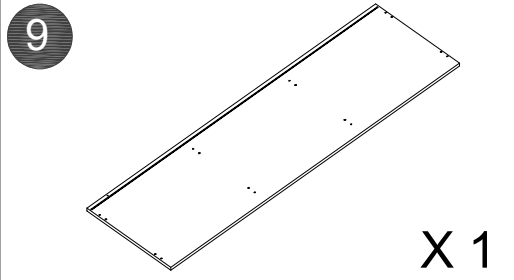
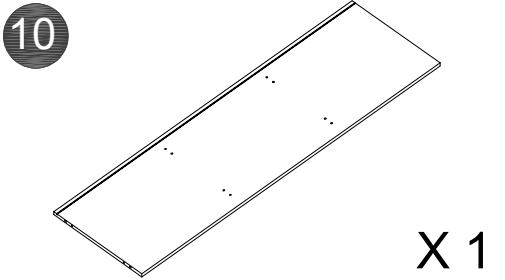
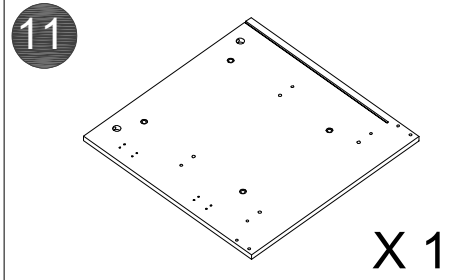
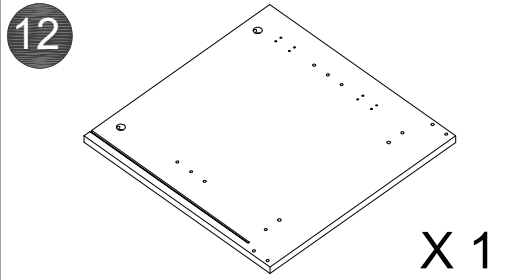
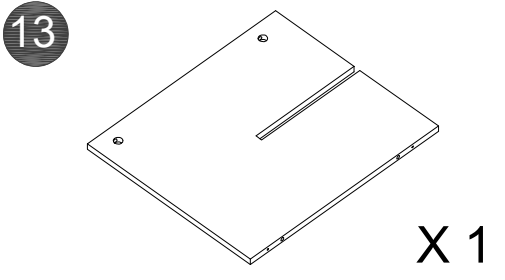
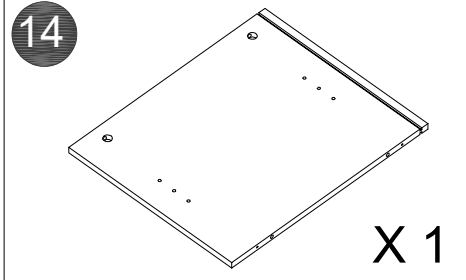
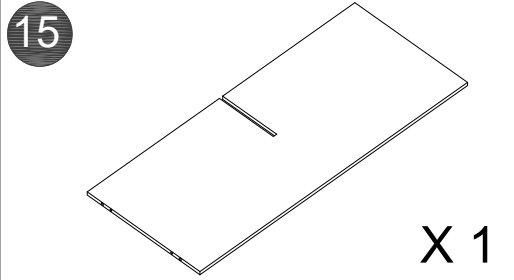
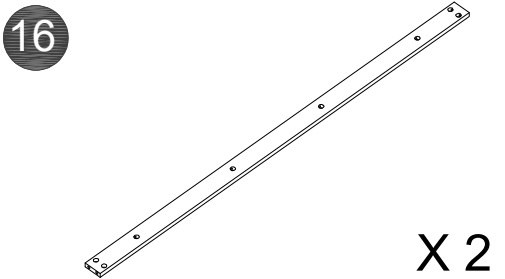
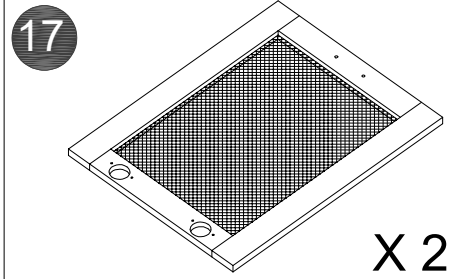
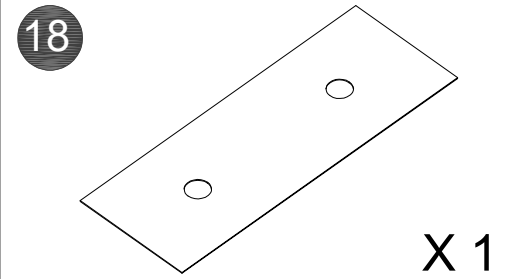
Important - Please read these instructions fully before starting assembly.

components - fittings

Please check you have all the panels listed below.

Note: The quantities below are the correct amount to complete the assembly. In some cases more fittings may be supplied than are required.

N710P362196P


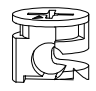

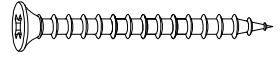
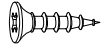
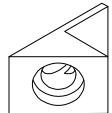
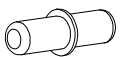
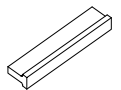
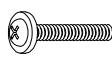
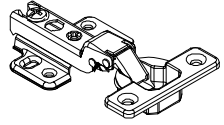
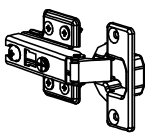
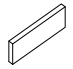

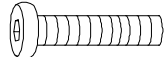
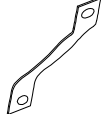
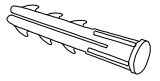
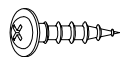

 <p>1</p> <p>X 1</p>	 <p>2</p> <p>X 1</p>	 <p>3</p> <p>X 1</p>
 <p>4</p> <p>X 1</p>	 <p>5</p> <p>X 2</p>	 <p>6</p> <p>X 2</p>
 <p>7</p> <p>X 2</p>	 <p>8</p> <p>X 2</p>	 <p>9</p> <p>X 1</p>
 <p>10</p> <p>X 1</p>	 <p>11</p> <p>X 1</p>	 <p>12</p> <p>X 1</p>
 <p>13</p> <p>X 1</p>	 <p>14</p> <p>X 1</p>	 <p>15</p> <p>X 1</p>
 <p>16</p> <p>X 2</p>	 <p>17</p> <p>X 2</p>	 <p>18</p> <p>X 1</p>

components - fittings

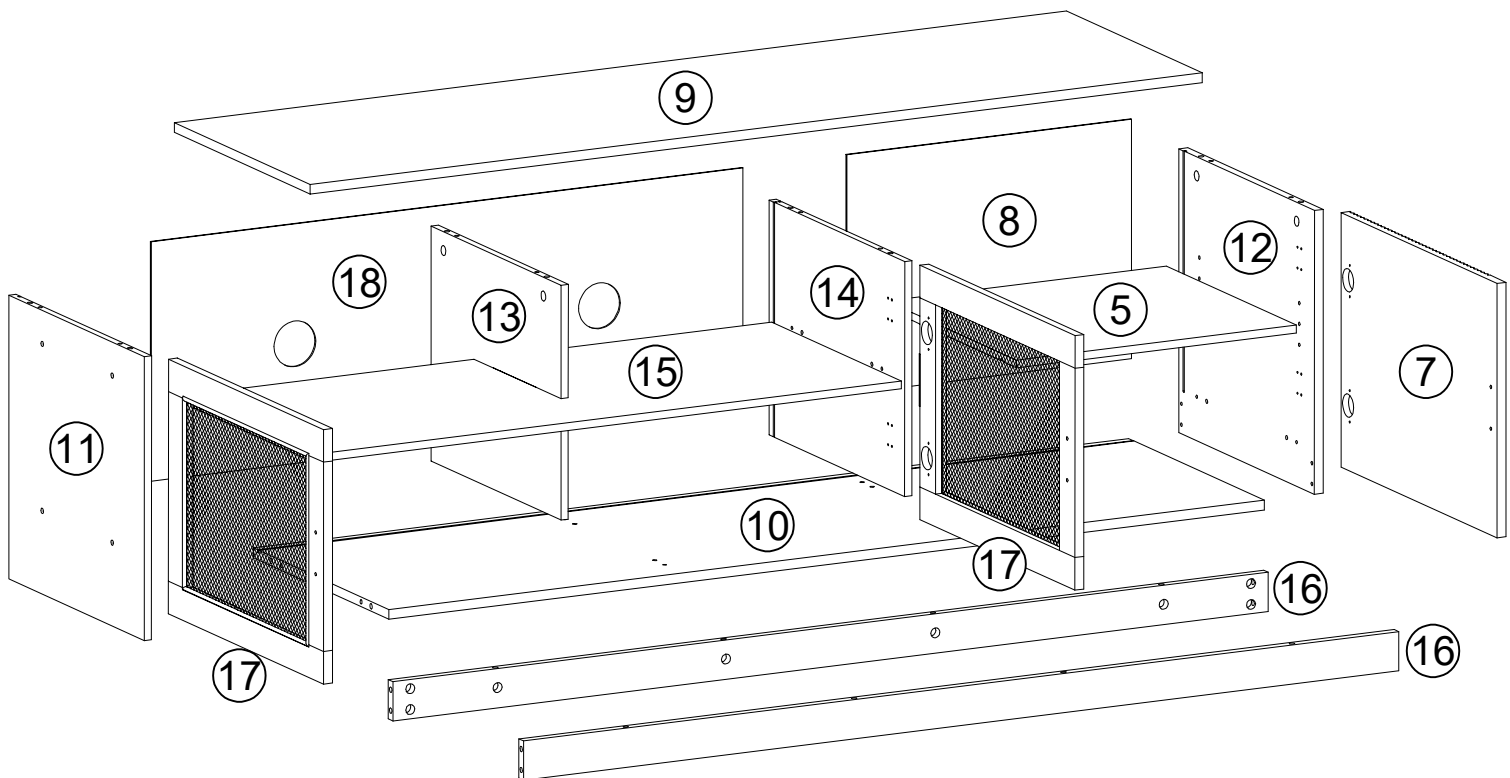
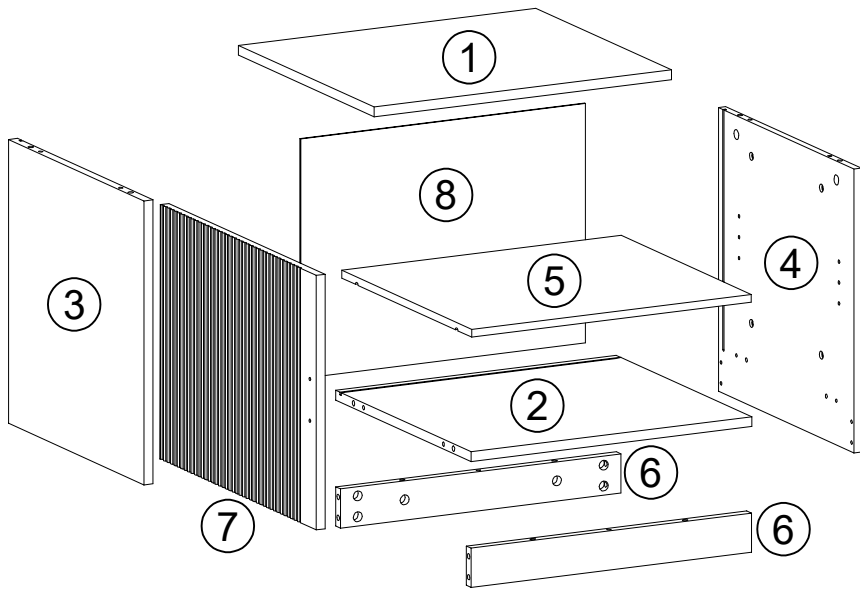
Please check you have all the panels listed below.

Note: The quantities below are the correct amount to complete the assembly. In some cases more fittings may be supplied than are required.

Hardware-Liste :N710P362196P

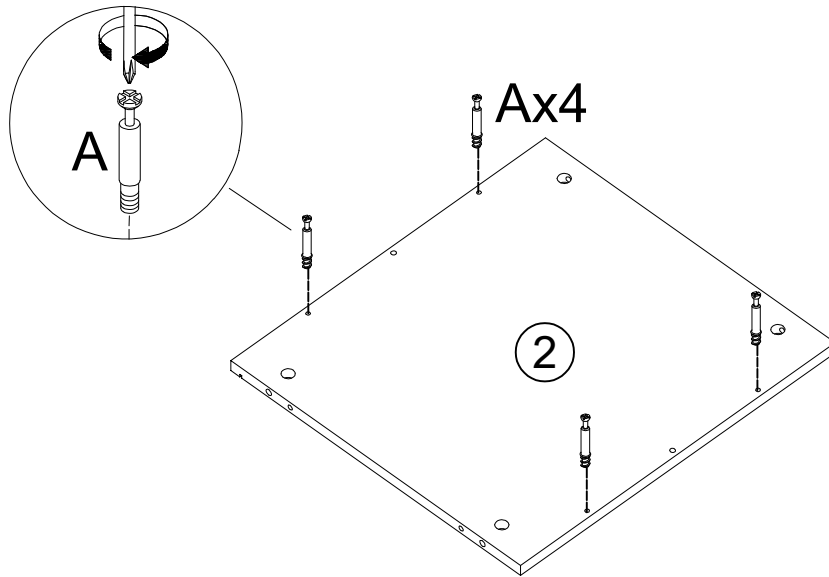
<p>A X 52</p>  <p>M6x35mm</p>	<p>B X 52</p>  <p>Φ15mm</p>	<p>C X 30</p>  <p>Φ6x30mm</p>	<p>D X 6</p>  <p>M4x35mm</p>
<p>E X 60</p>  <p>M3.5x14mm</p>	<p>F X 12</p> 	<p>G X 8</p> 	<p>H X 4</p> 
<p>I X 8</p>  <p>M4x18mm</p>	<p>J X 2</p> 	<p>K X 6</p> 	<p>L X 10</p>  <p>EVA</p>
<p>M X20</p>  <p>Ø20mm</p>	<p>N X4</p>  <p>M6x18mm</p>	<p>O X 2</p> 	<p>P X 2</p> 
<p>Q X 2</p>  <p>M4x14mm</p>	<p>R X1</p>  <p>4#</p>		

Assembly Instructions



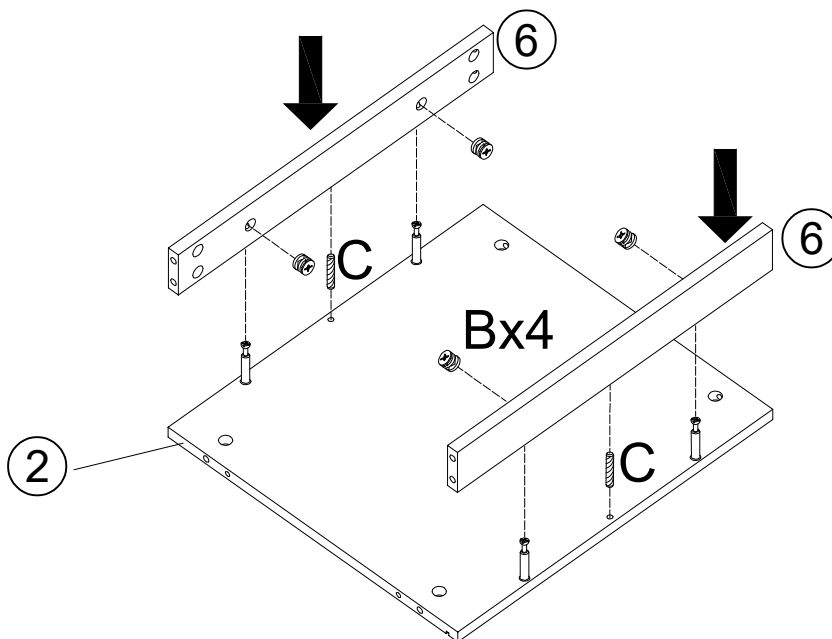
Assembly Instructions

STEP 1



A	x4
M6x35mm	

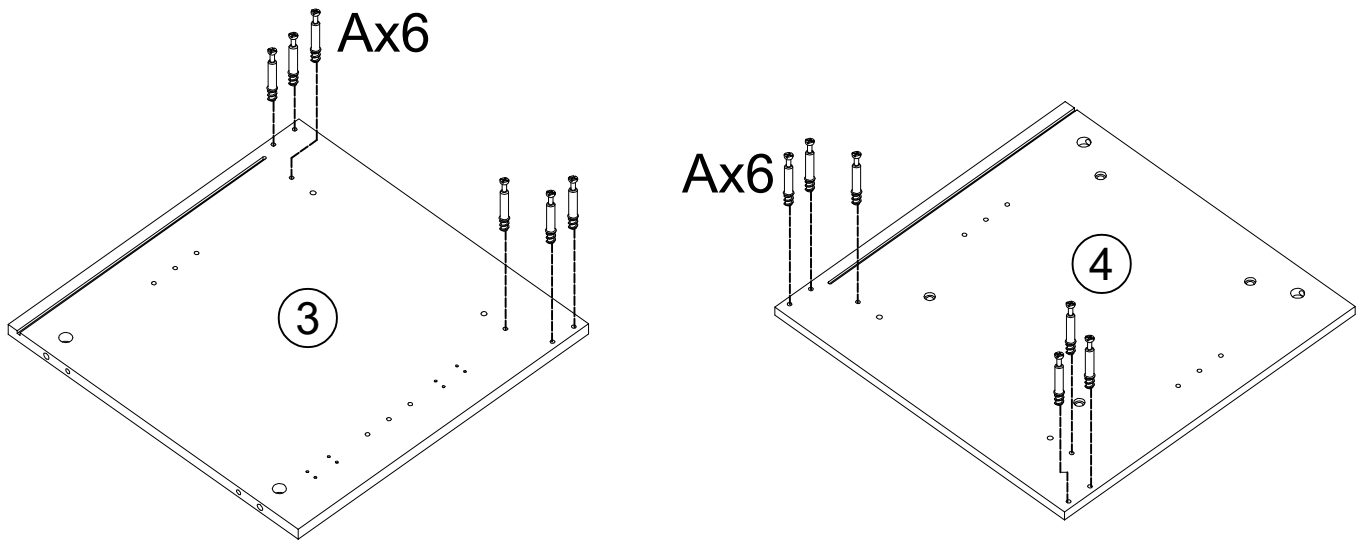
STEP 2

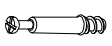


B	x4	C	x2
Ø15mm		Φ6x30mm	

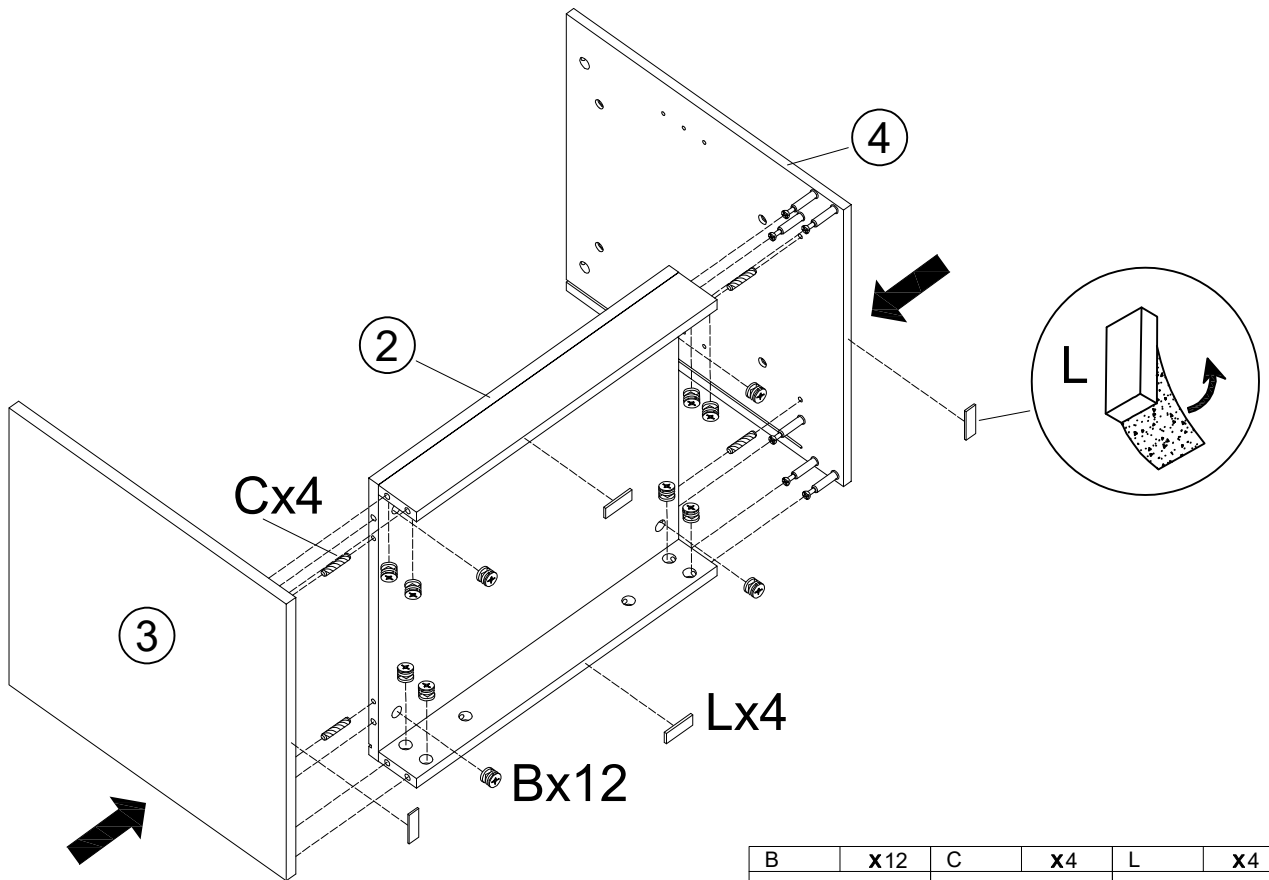
Assembly Instructions



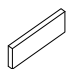
STEP 3



A	x12
	
M6x35mm	

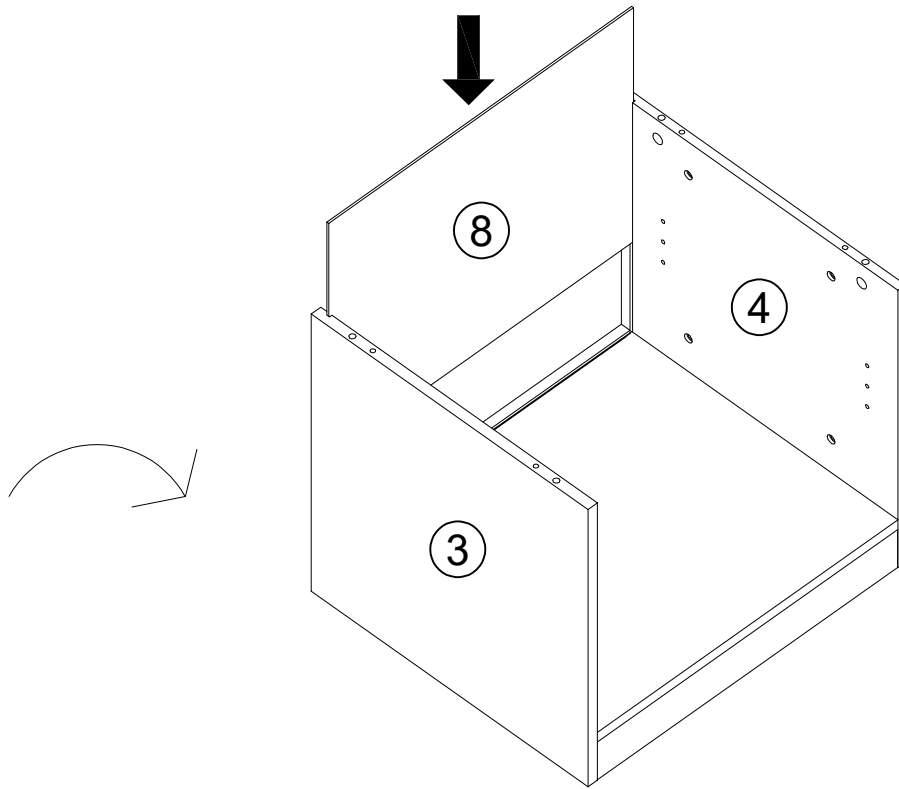
STEP 4



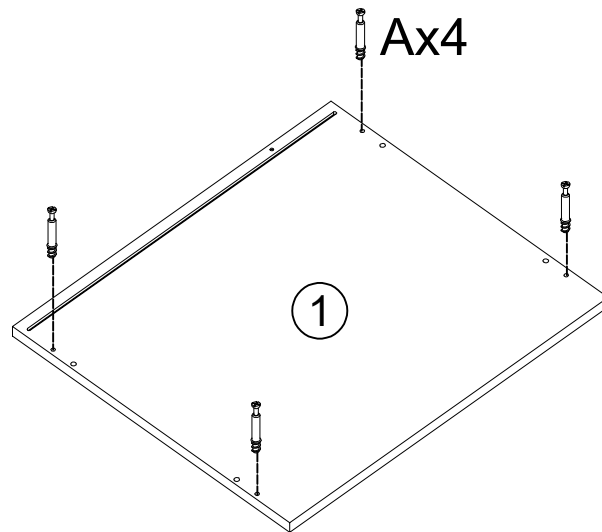
B	x12	C	x4	L	x4
					
Ø15mm		Φ6x30mm		EVA	

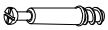
Assembly Instructions

STEP 5



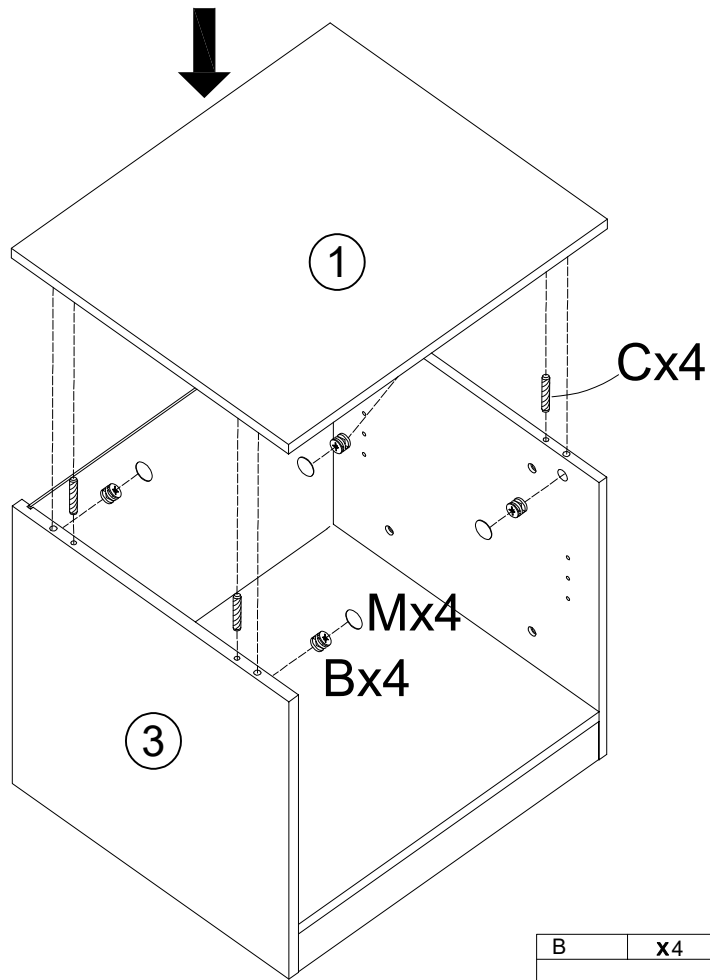
STEP 6






A	x4
	
M6x35mm	

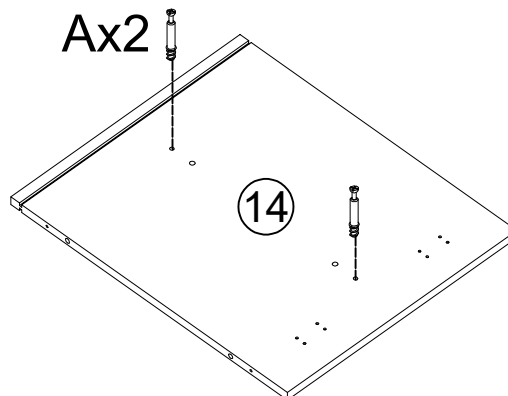
Assembly Instructions


STEP 7



B	x4	C	x4	M	x4
					
Ø15mm		Φ6x30mm		Φ20mm	

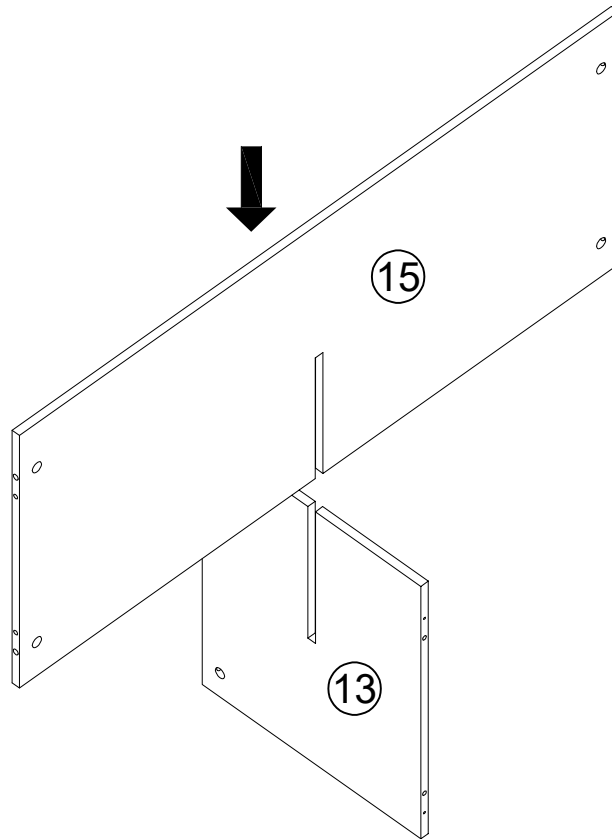
STEP 8



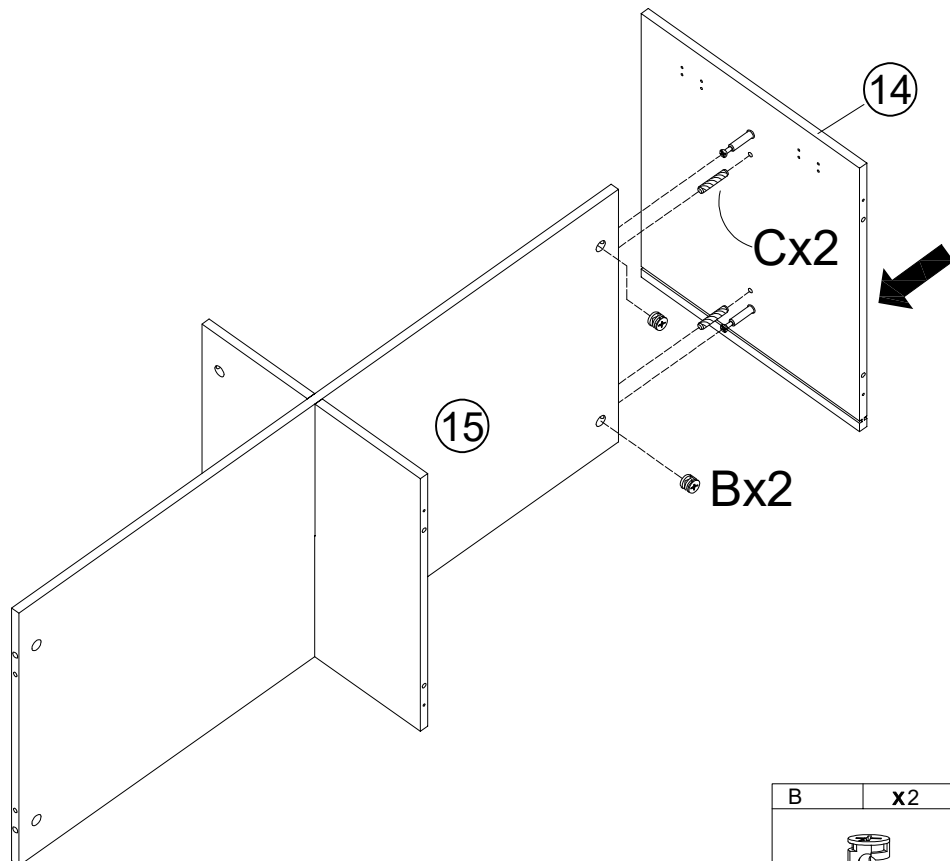
A	x2
	
M6x35mm	


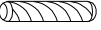
Assembly Instructions

STEP 9



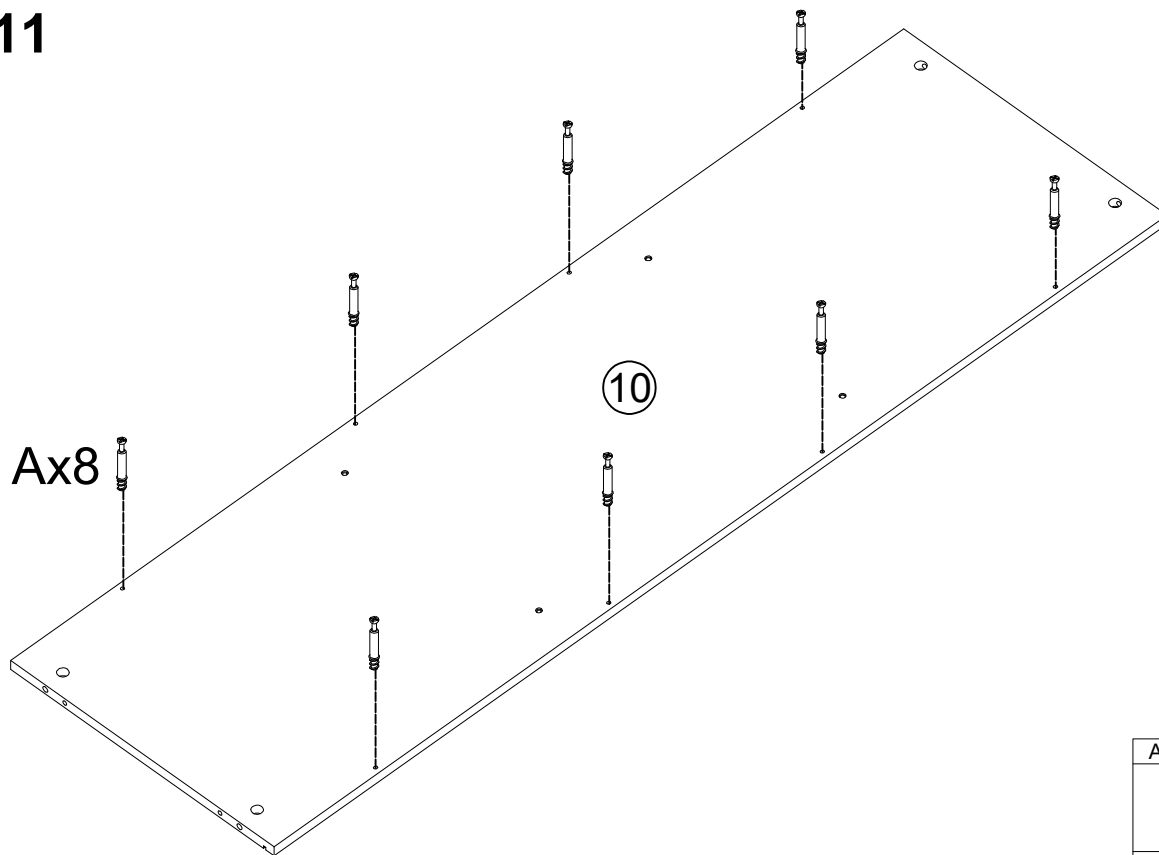
STEP 10



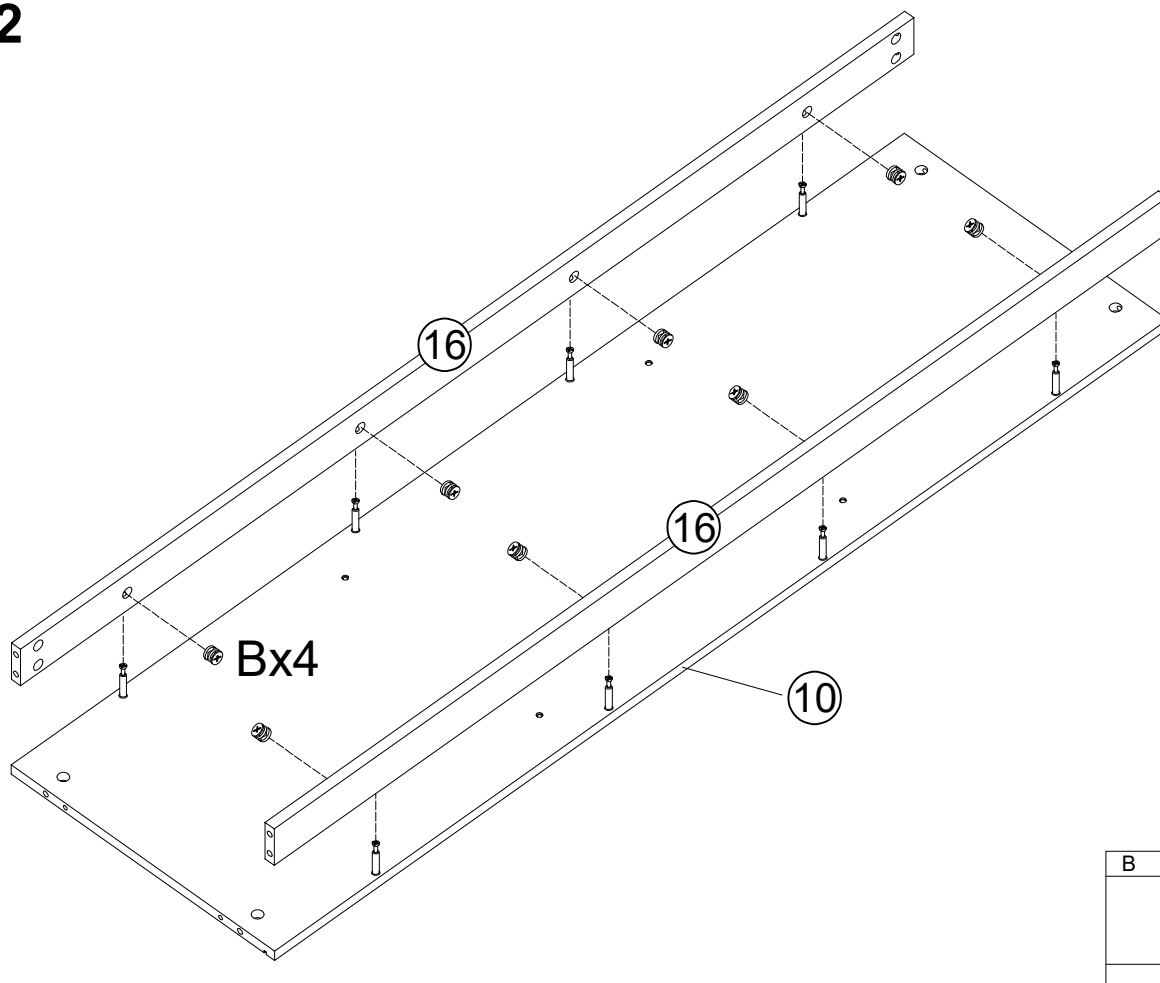
B	x2	C	x2
			
Ø15mm		Φ6x30mm	

Assembly Instructions

STEP 11

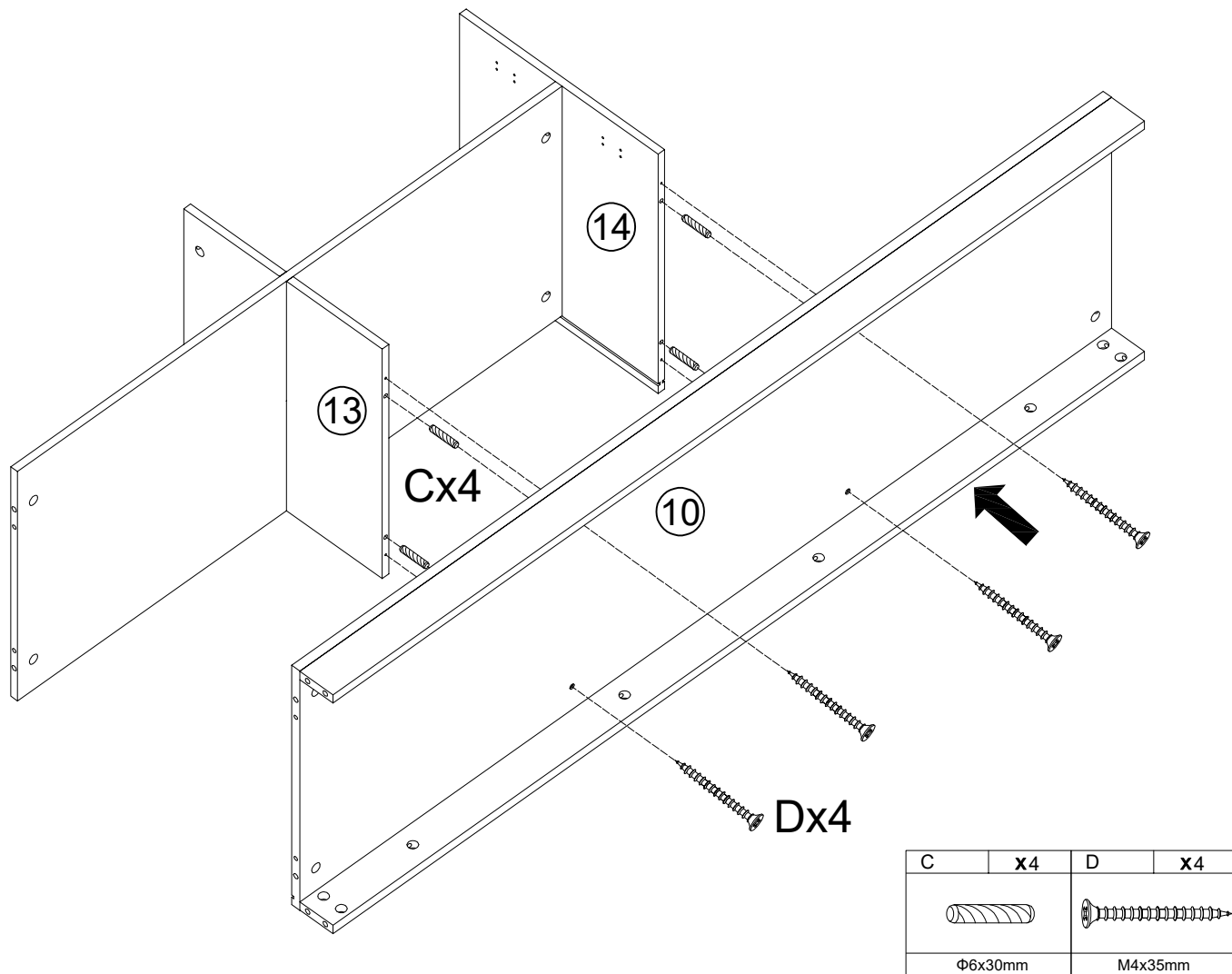


STEP 12

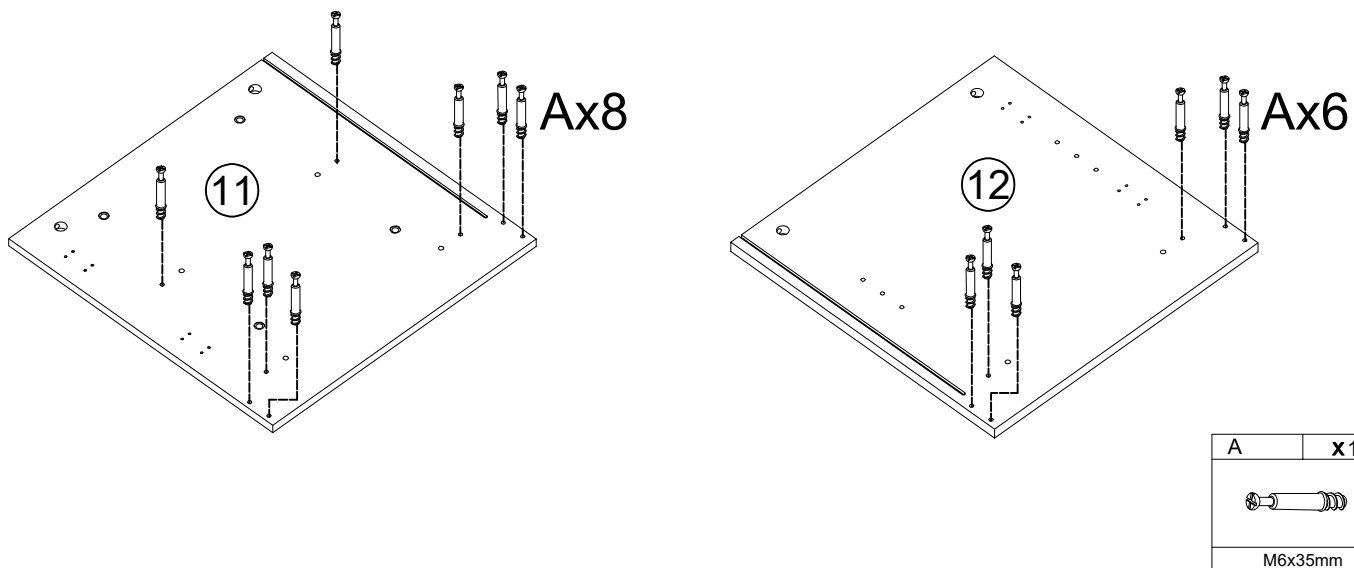


Assembly Instructions

STEP 13

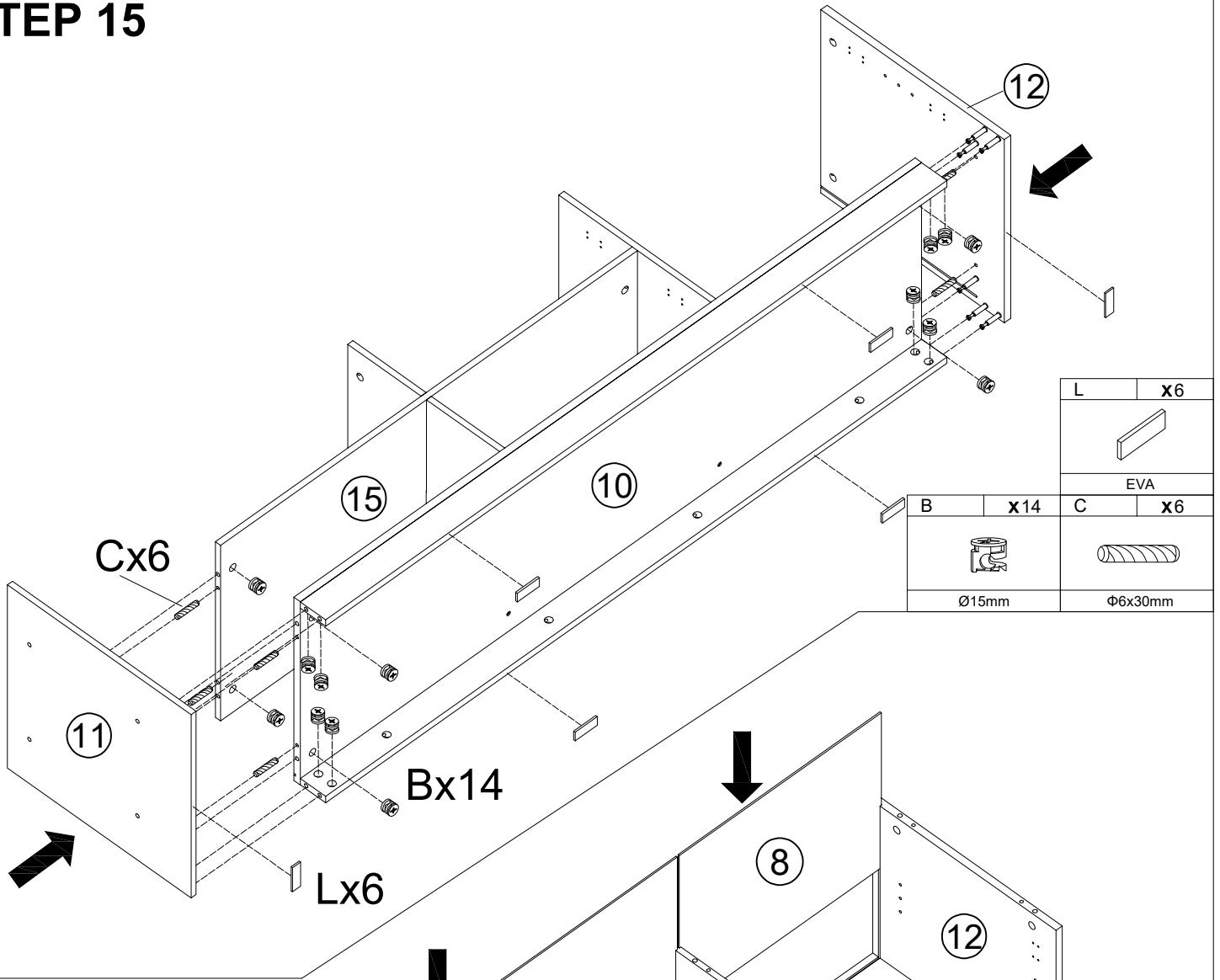


STEP 14

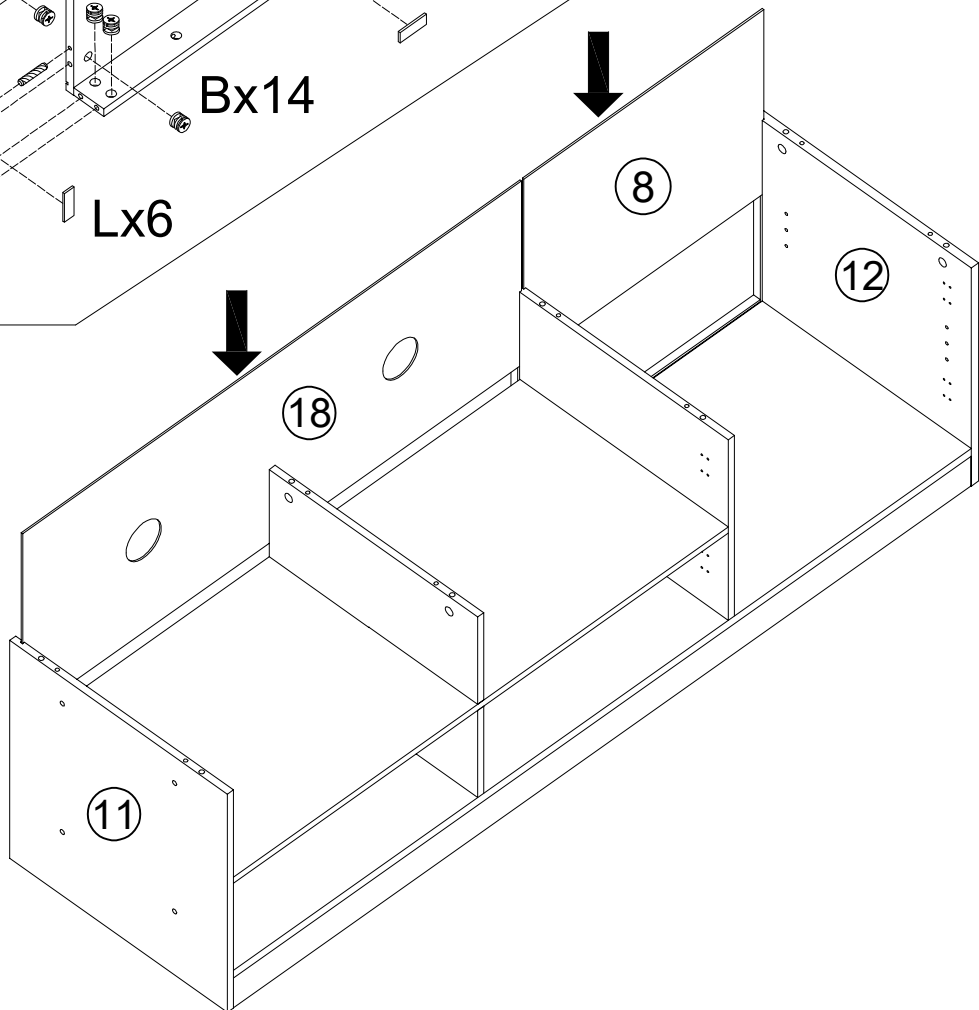


Assembly Instructions

STEP 15

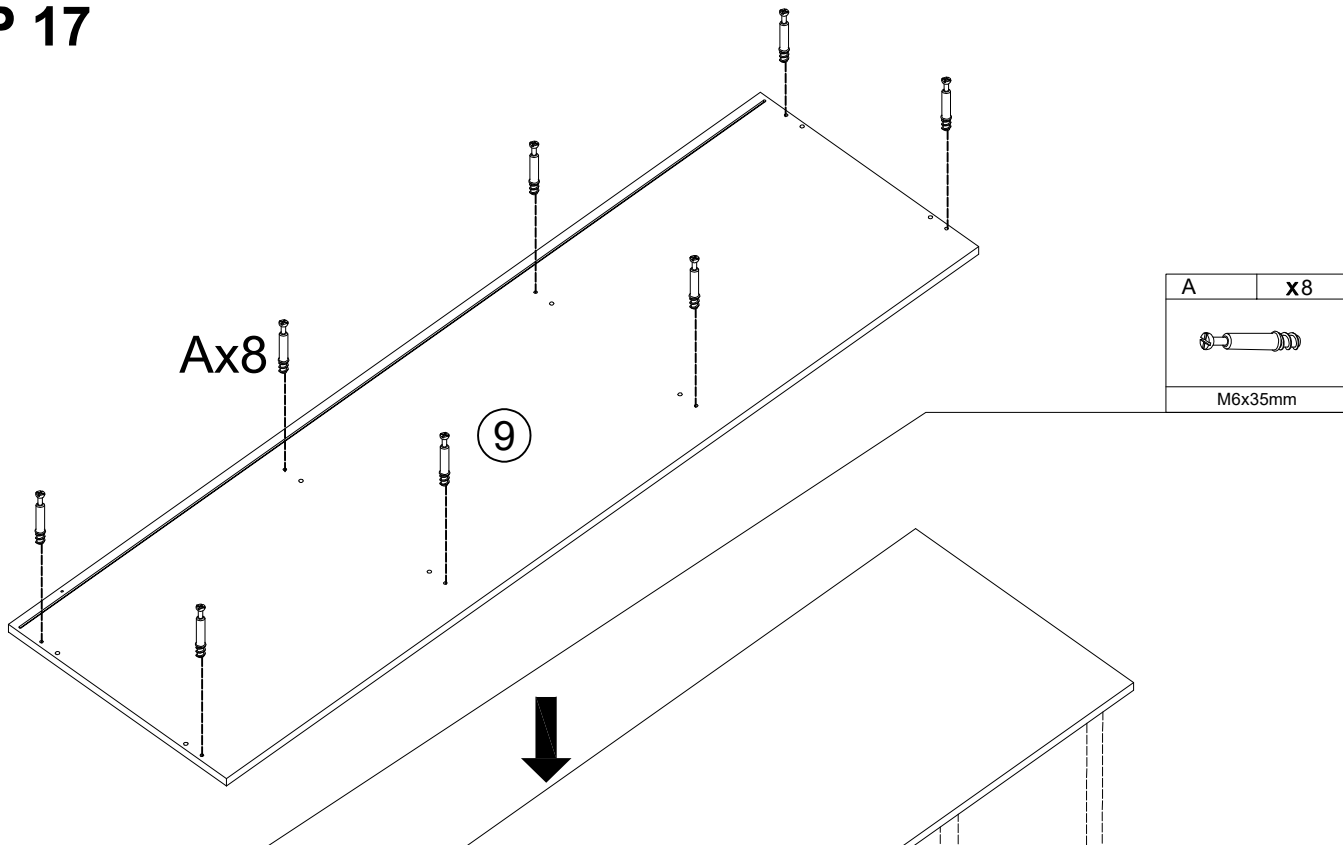


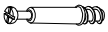
STEP 16



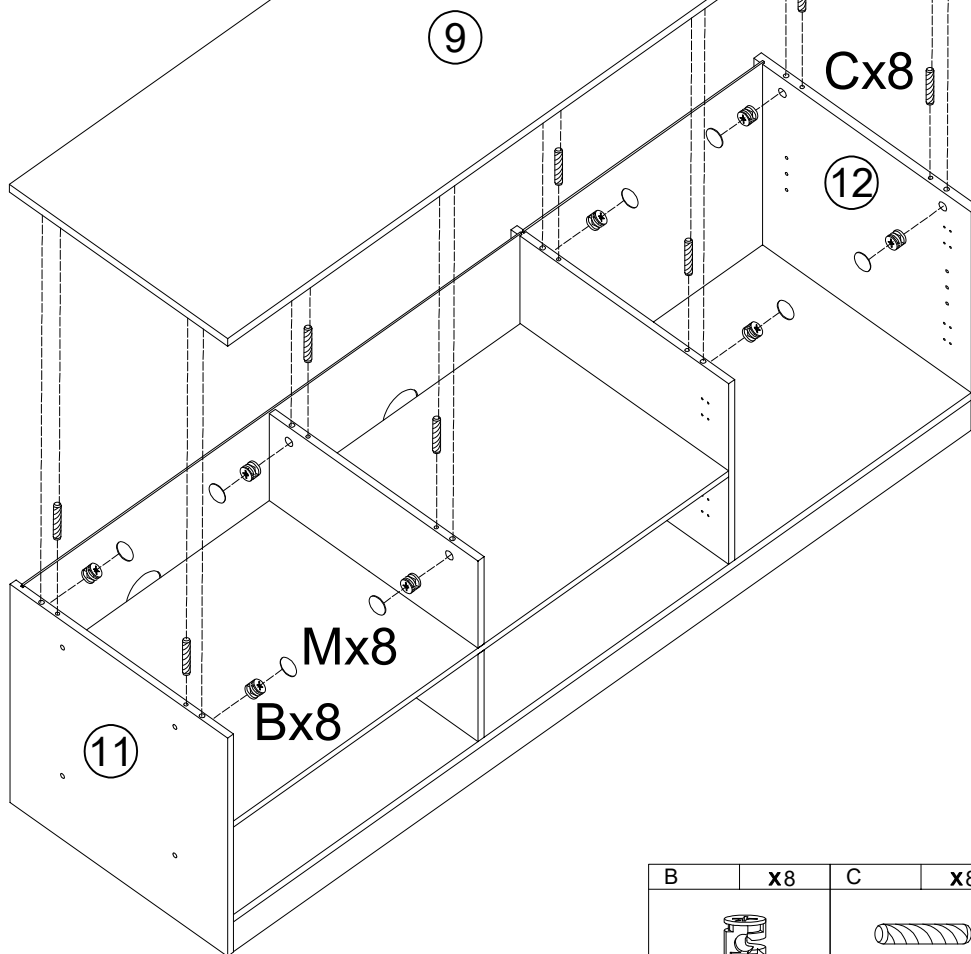
Assembly Instructions




STEP 17



A	x8
	
M6x35mm	

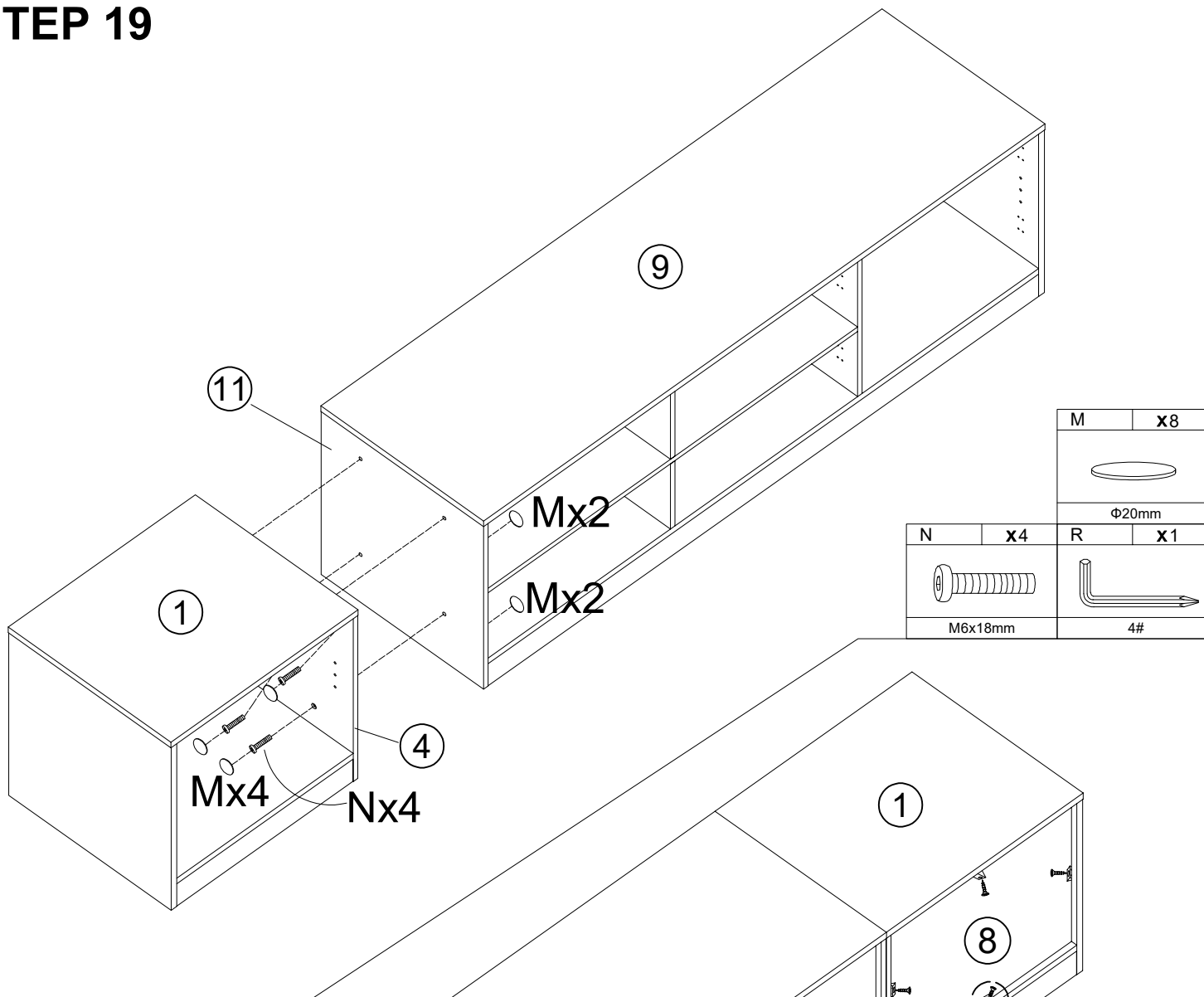
STEP 18



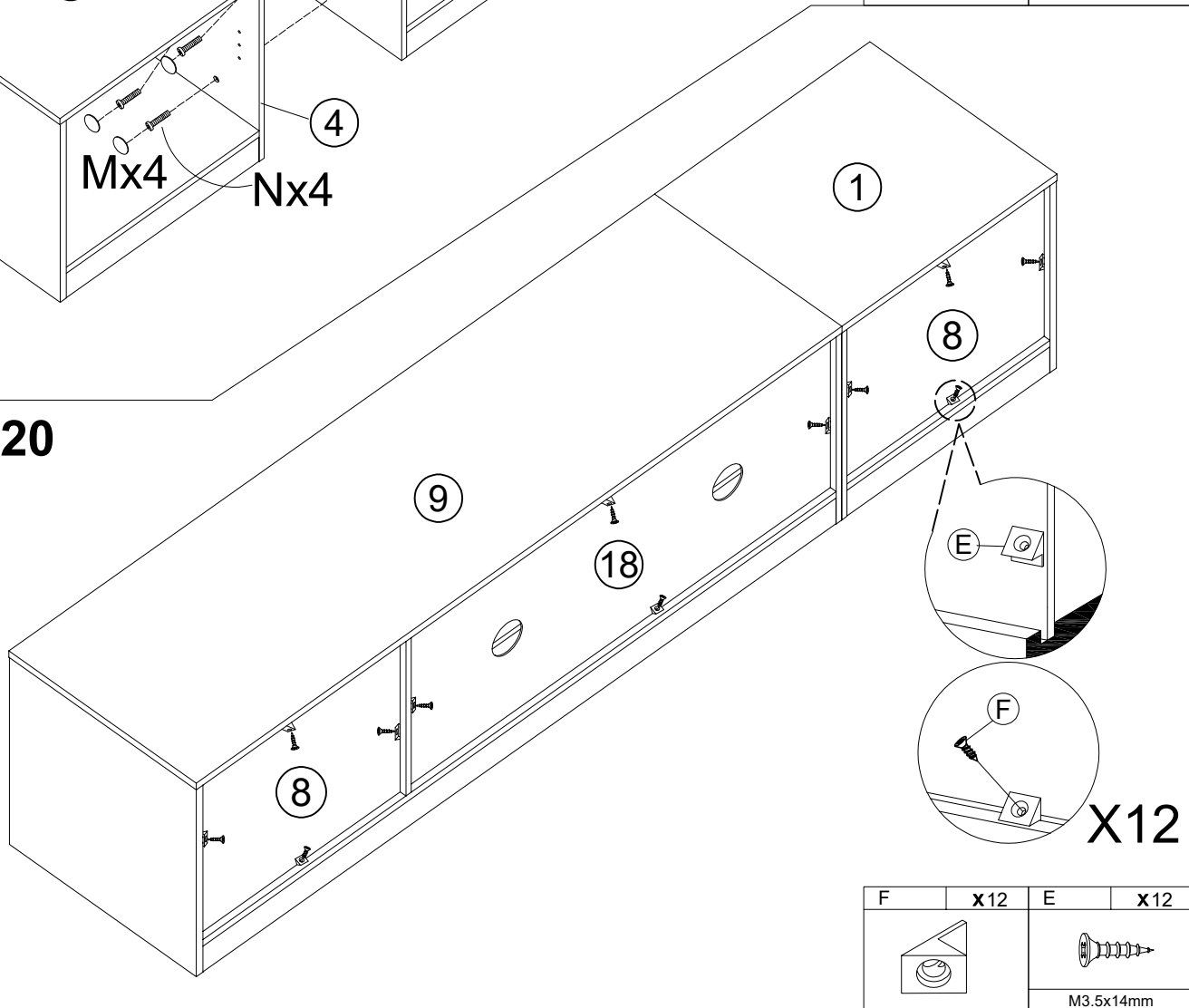
B	x8	C	x8	M	x8
					
Ø15mm		Φ6x30mm		Φ20mm	

Assembly Instructions

STEP 19

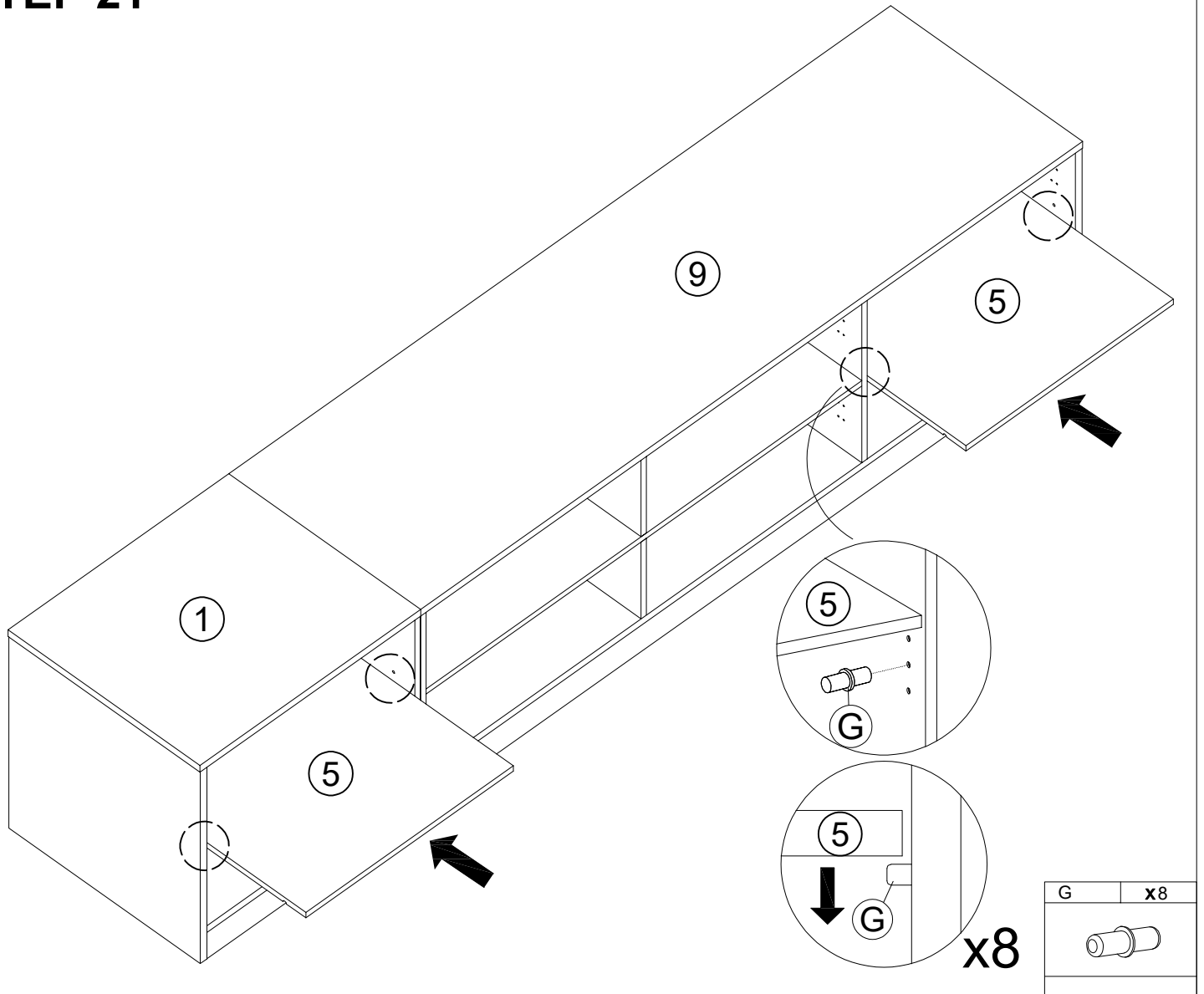


STEP 20

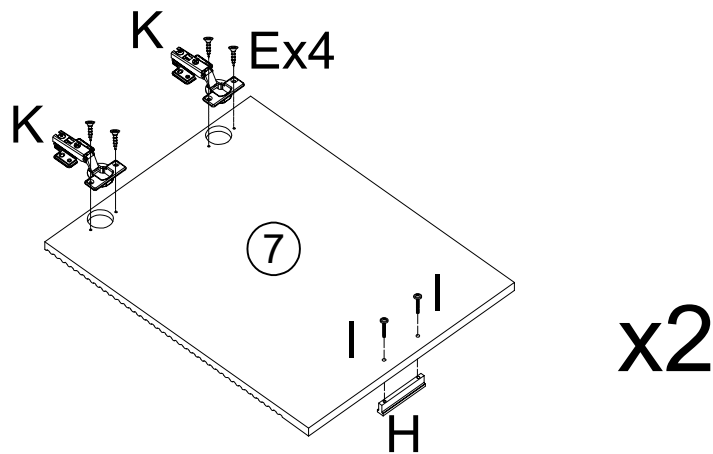


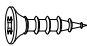
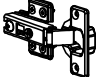
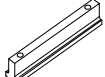

Assembly Instructions

STEP 21



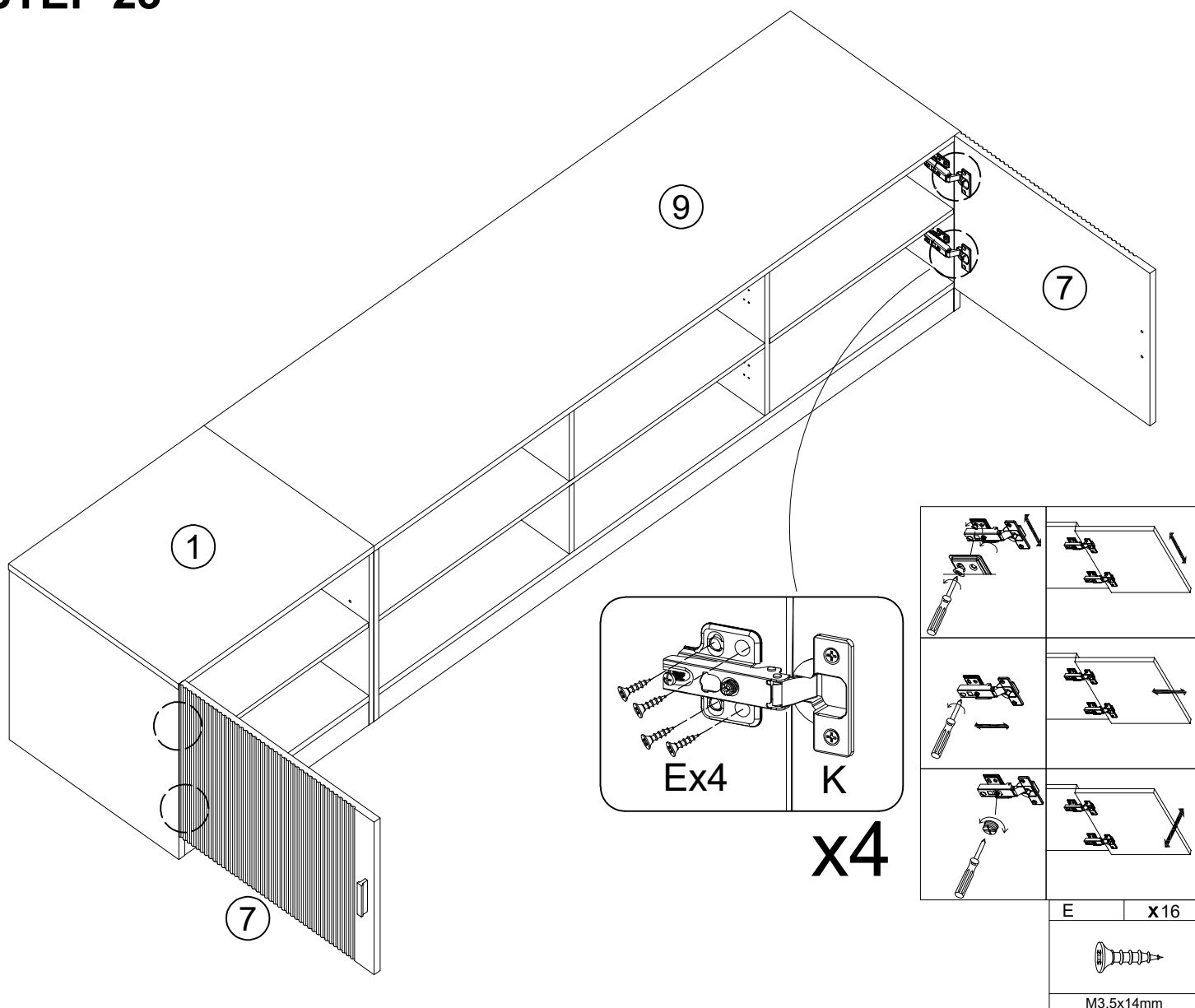
STEP 22



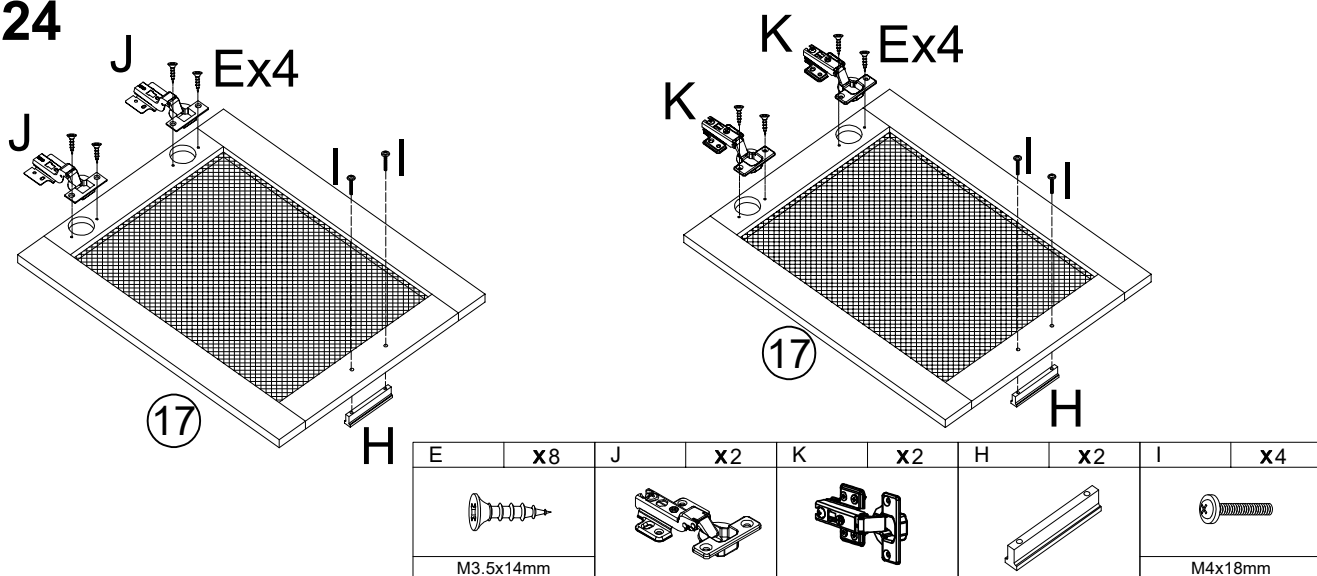
E	x8	K	x4	H	x2	I	x4
							
M3.5x14mm						M4x18mm	

Assembly Instructions

STEP 23

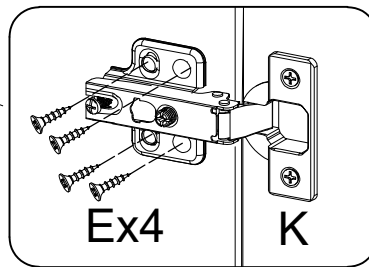
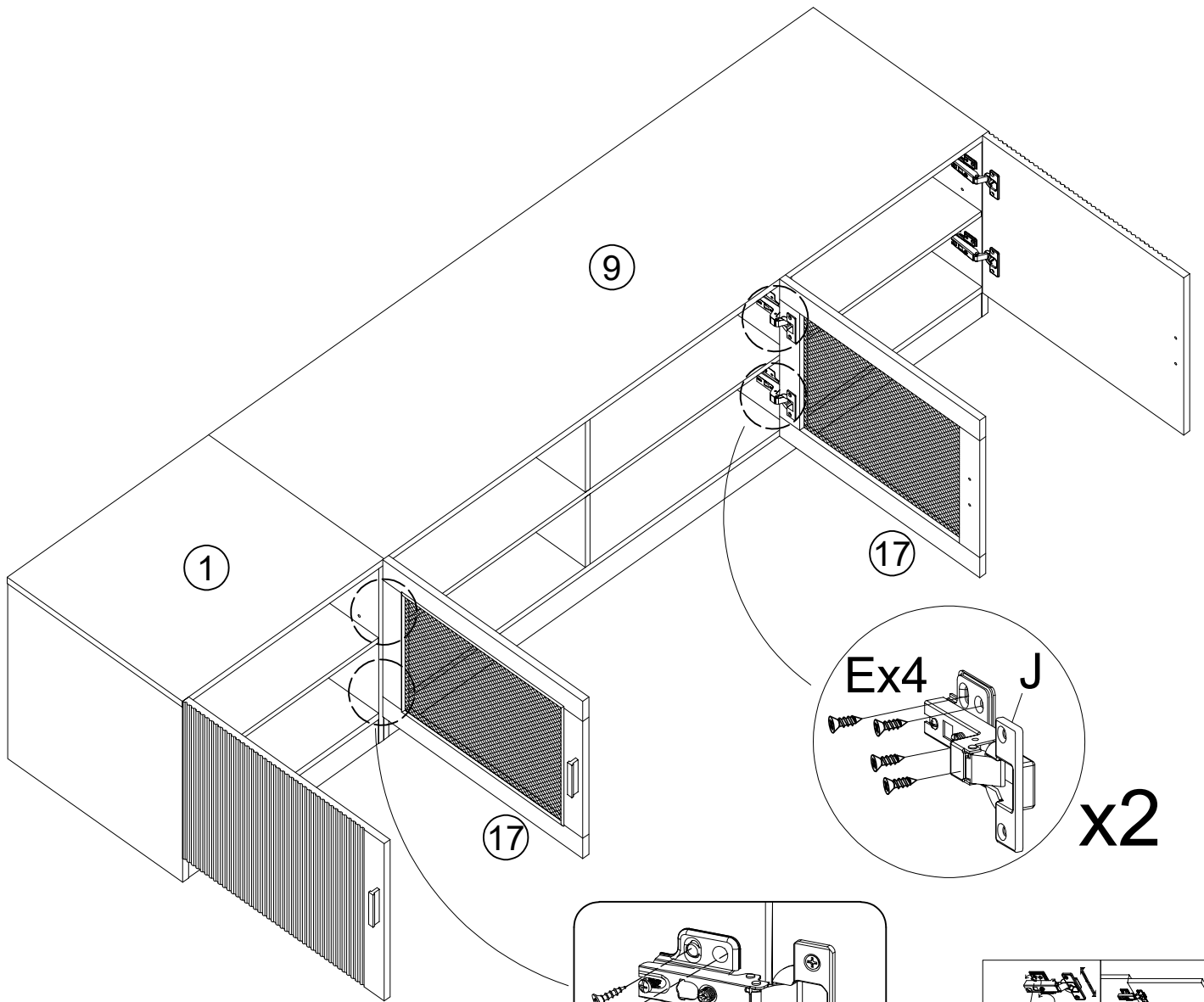


STEP 24

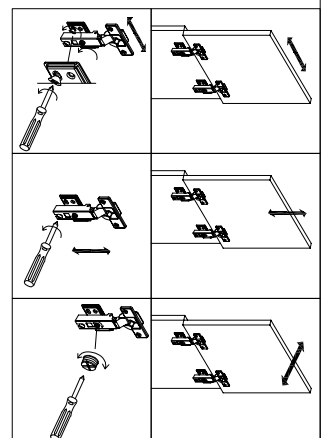


Assembly Instructions

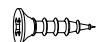
STEP 25



x2



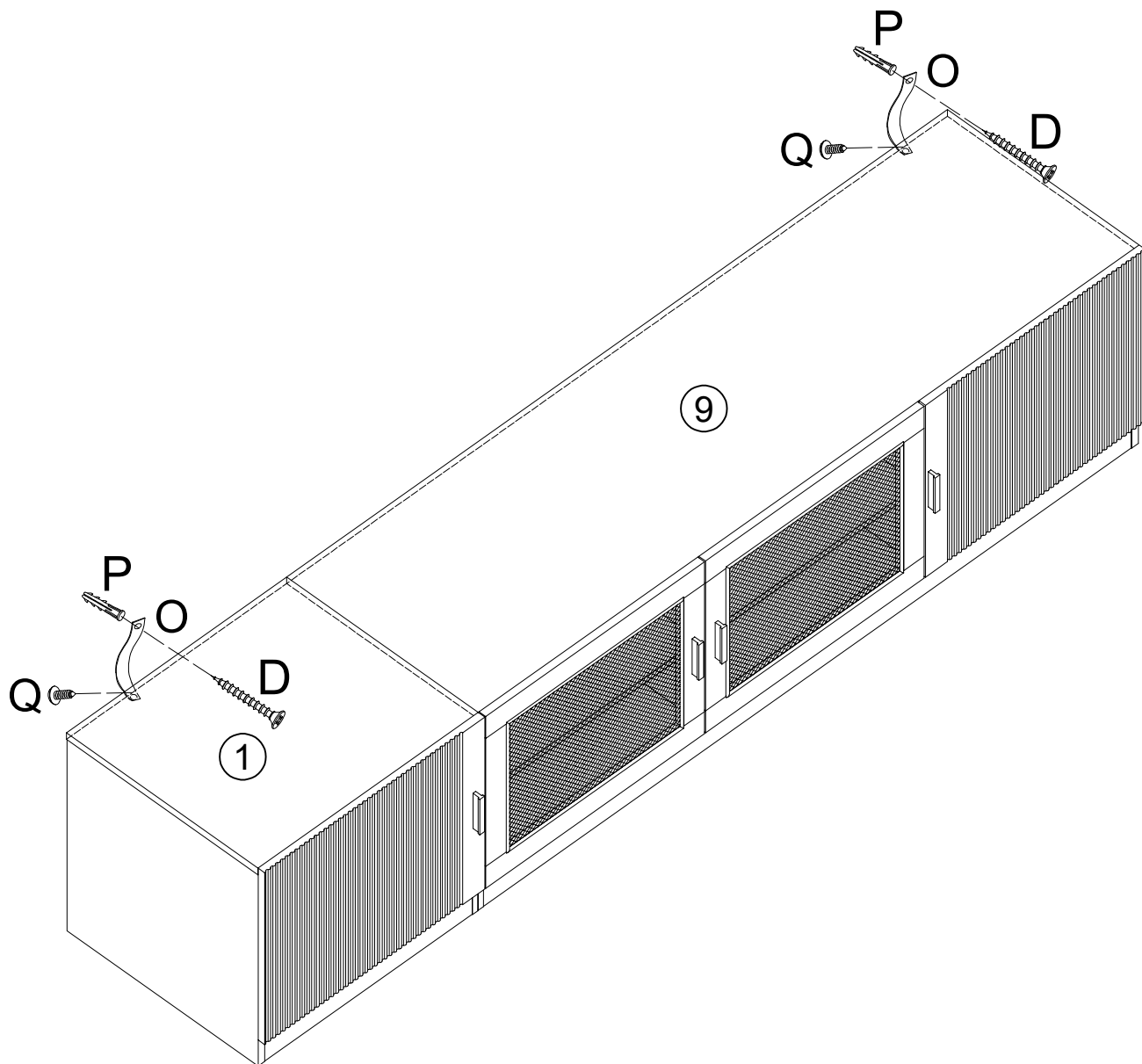
E x16

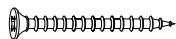

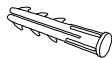
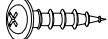


M3.5x14mm

Assembly Instructions

STEP 26



D	x2	O	x2	P	x2	Q	x2
							
M4x35mm						M4x14mm	