

ASSEMBLY INSTRUCTIONS
COASTER FINE FURNITURE



Fine Furniture for every stage of life

706307
End Table

ITEM: **706307**

ASSEMBLY INSTRUCTIONS

ASSEMBLY TIPS:

1. Remove hardware from box and sort by size.
2. Please check to see that all hardware and parts are present prior to start of assembly.
3. Please follow attached instructions in the same sequence as numbered to assure fast & easy assembly.



WARNING!

1. Don't attempt to repair or modify parts that are broken or defective. Please contact the store immediately.
2. This product is for home use only and not intended for commercial establishments.



ASSEMBLY TIME

15 MINUTES

PARTS IDENTIFICATION

A	TOP		1PC
B	LEG		4PCS
C	SHELF		1PC

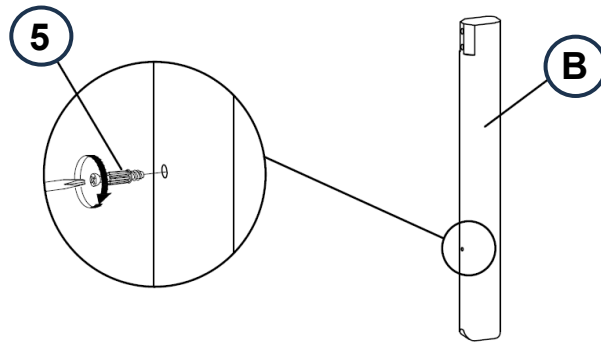
HARDWARE IDENTIFICATION

1	ALLEN WRENCH (M4 x 100mm - BLK)		1PC
2	BOLT (M6 x 70mm - RBW)		8PCS
3	LOCK WASHER (M6 - RBW)		8PCS
4	FLAT WASHER (M6 - RBW)		8PCS
5	CAM BOLT (I100 BR.B24/5/11-SR)		4PCS
6	CAM NUT (15/15+16 Z1 BRIGH - SR)		4PCS
7	LEVELER (23mm - BLK)		4PCS

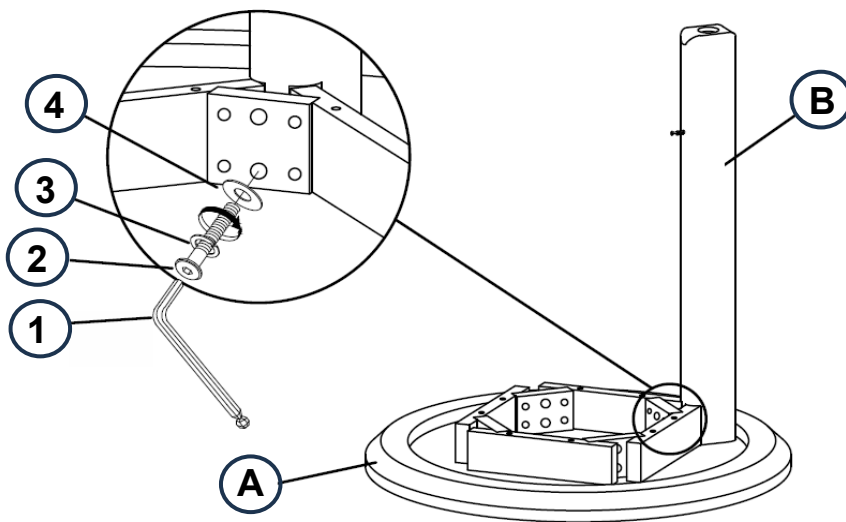
ITEM: 706307

ASSEMBLY INSTRUCTIONS

STEP 1

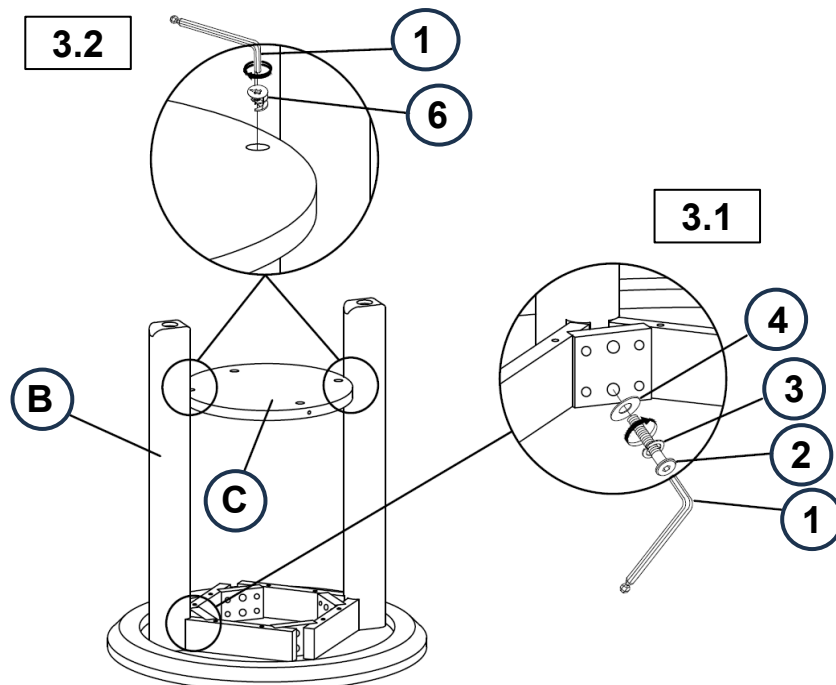


STEP 2



***Bottom View**

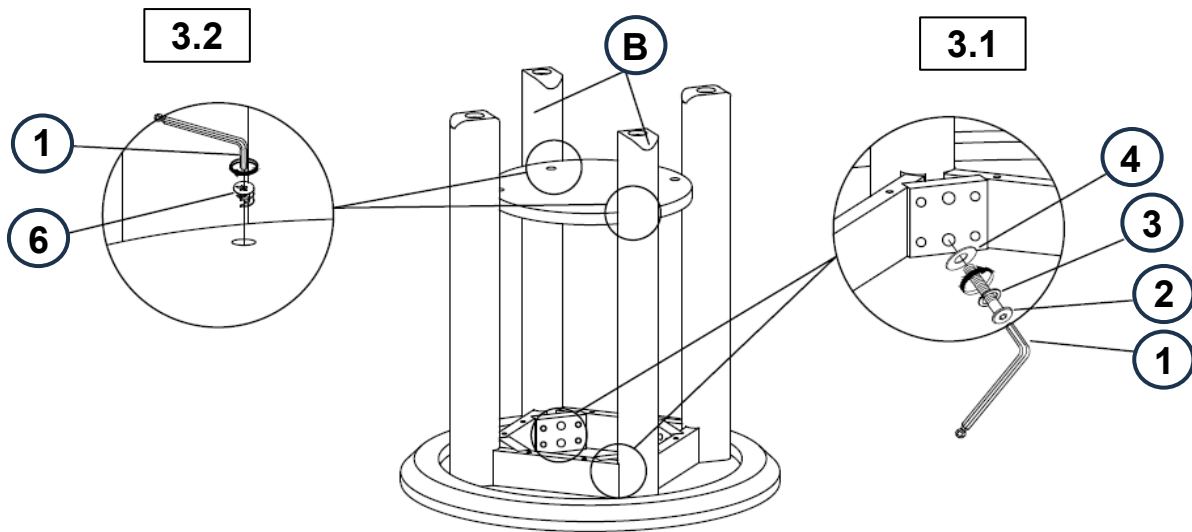
STEP 3



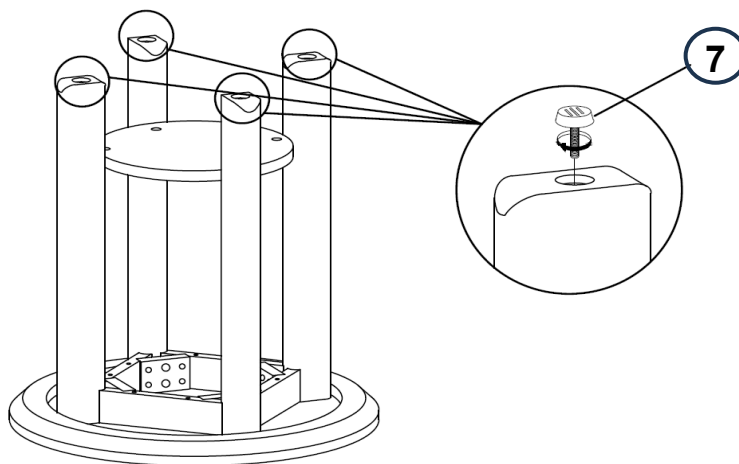
ITEM: 706307

ASSEMBLY INSTRUCTIONS

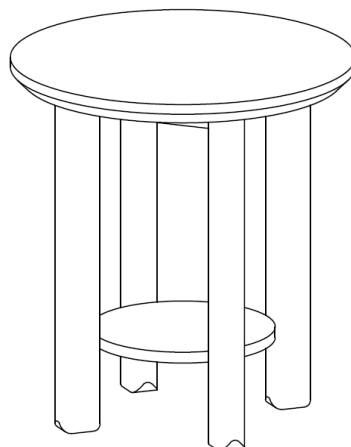
STEP 4



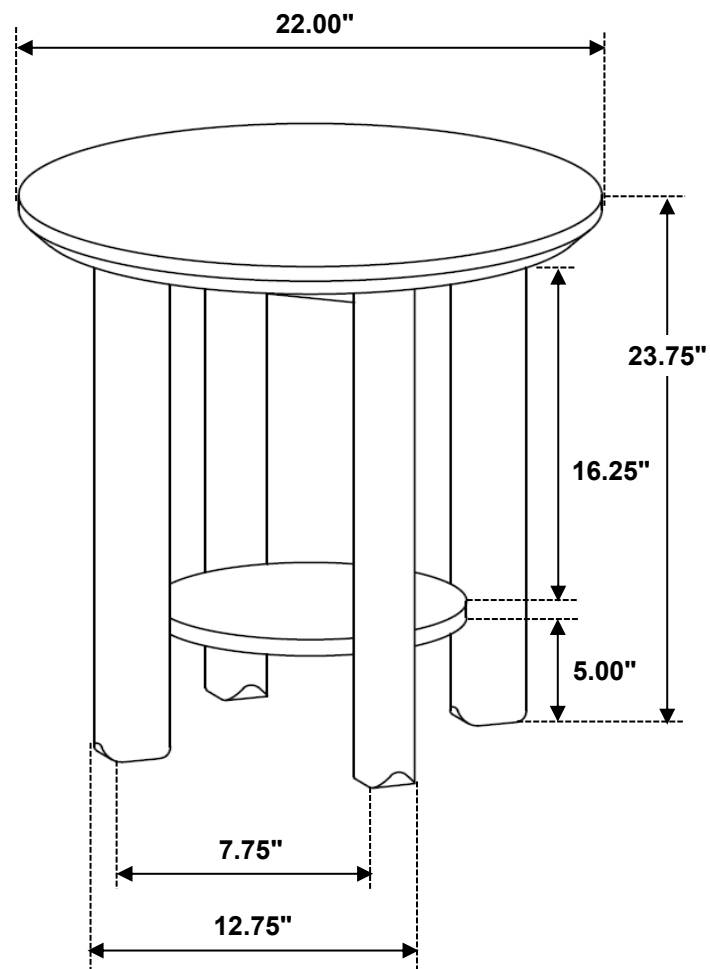
STEP 5



STEP 6
COMPLETE



ITEM: 706307



Note: Dimension tolerance $\pm 5\%$

ASSEMBLY INSTRUCTIONS
COASTER FINE FURNITURE



Fine Furniture for every stage of life

706308
Coffee Table

ITEM: 706308

ASSEMBLY INSTRUCTIONS

ASSEMBLY TIPS:

1. Remove hardware from box and sort by size.
2. Please check to see that all hardware and parts are present prior to start of assembly.
3. Please follow attached instructions in the same sequence as numbered to assure fast & easy assembly.



WARNING!


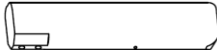

1. Don't attempt to repair or modify parts that are broken or defective. Please contact the store immediately.
2. This product is for home use only and not intended for commercial establishments.




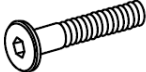





ASSEMBLY TIME

15 MINUTES

PARTS IDENTIFICATION

A	TOP		1PC
B	LEG		4PCS
C	SHELF		1PC

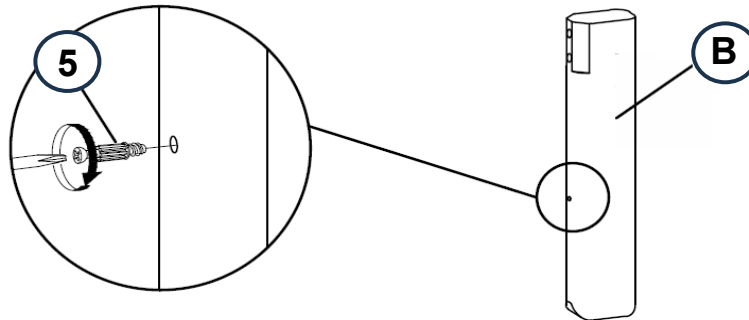
HARDWARE IDENTIFICATION

1	ALLEN WRENCH (M4 x 100mm - BLK)		1PC
2	BOLT (M6 x 70mm - RBW)		8PCS
3	LOCK WASHER (M6 - RBW)		8PCS
4	FLAT WASHER (M6 - RBW)		8PCS
5	CAM BOLT (I100 BR.B24/5/11-SR)		4PCS
6	CAM NUT (15/15+16 Z1 BRIGH - SR)		4PCS
7	LEVELER (23mm - BLK)		4PCS

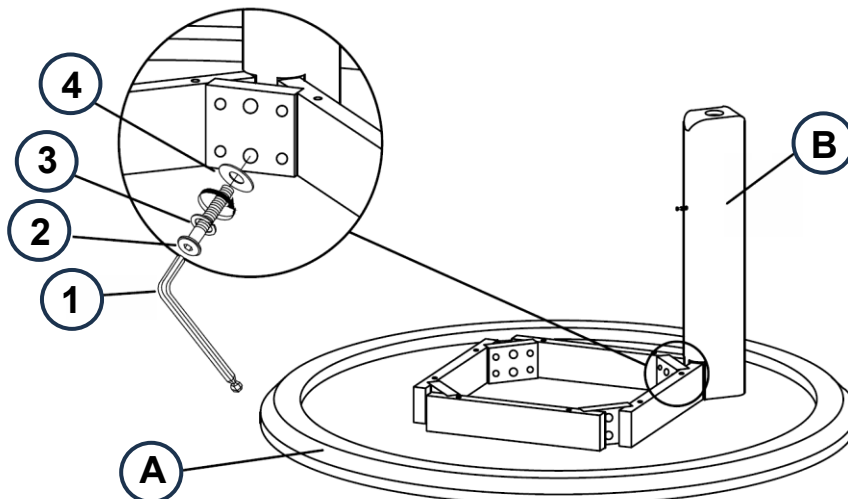
ITEM: **706308**

ASSEMBLY INSTRUCTIONS

STEP 1

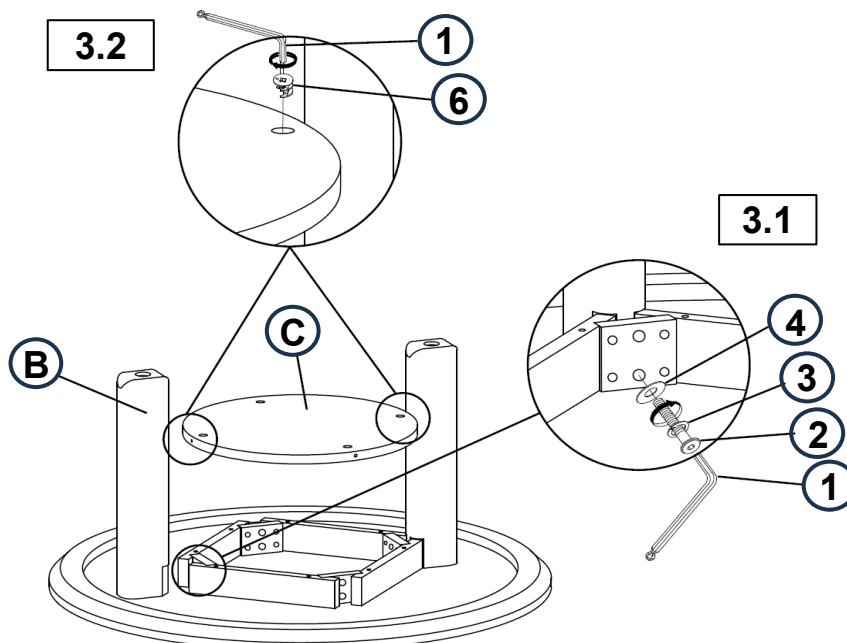


STEP 2



***Bottom View**

STEP 3

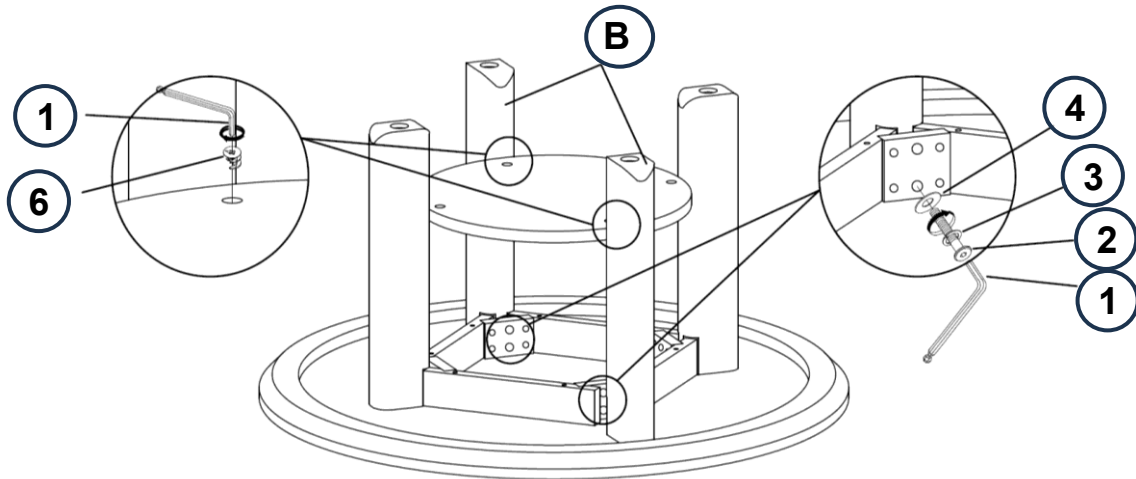


ITEM: **706308**

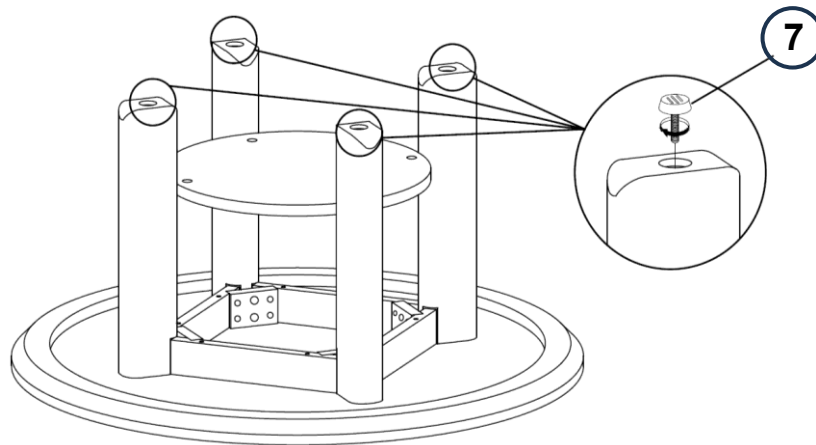
ASSEMBLY INSTRUCTIONS



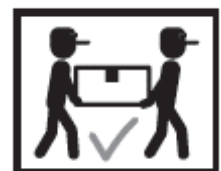
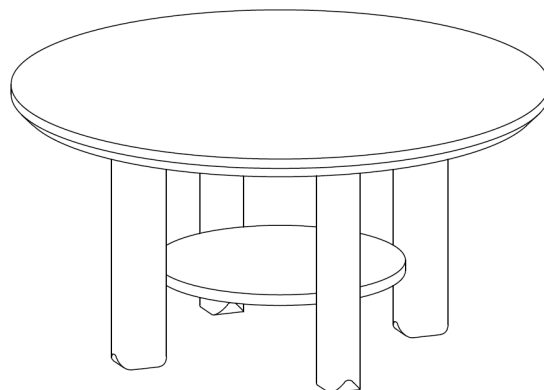
STEP 4



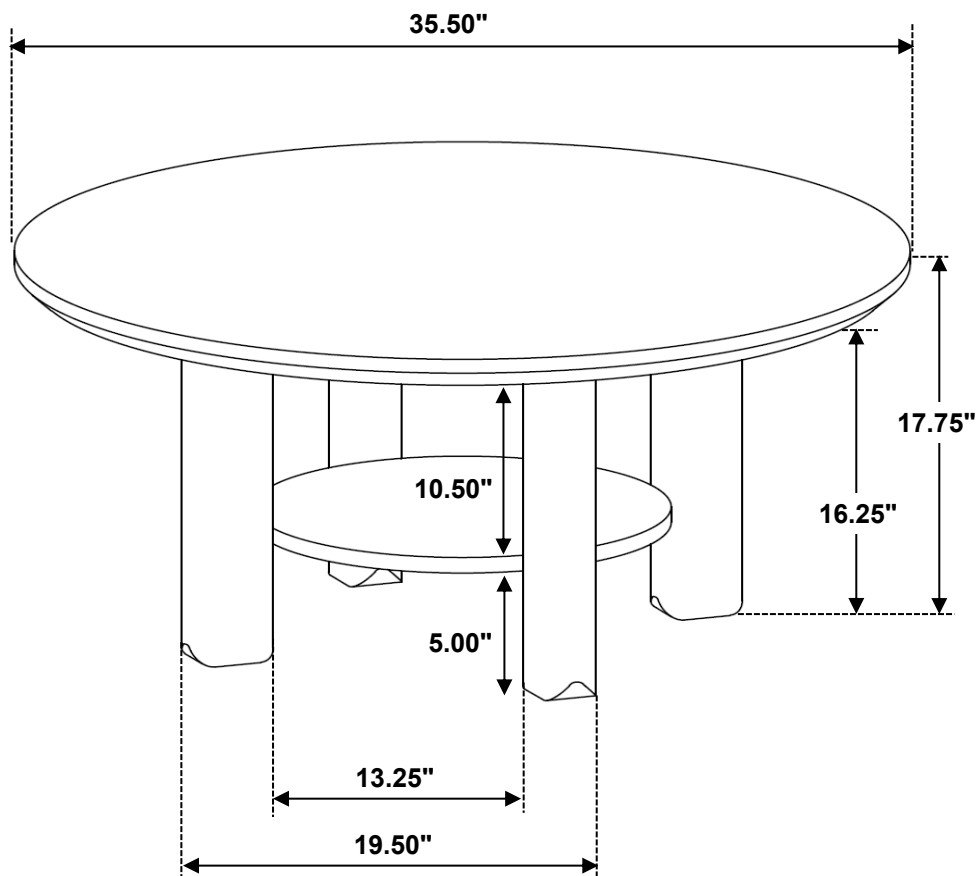
STEP 5



STEP 6
COMPLETE



ITEM: **706308**



Note: Dimension tolerance $\pm 5\%$