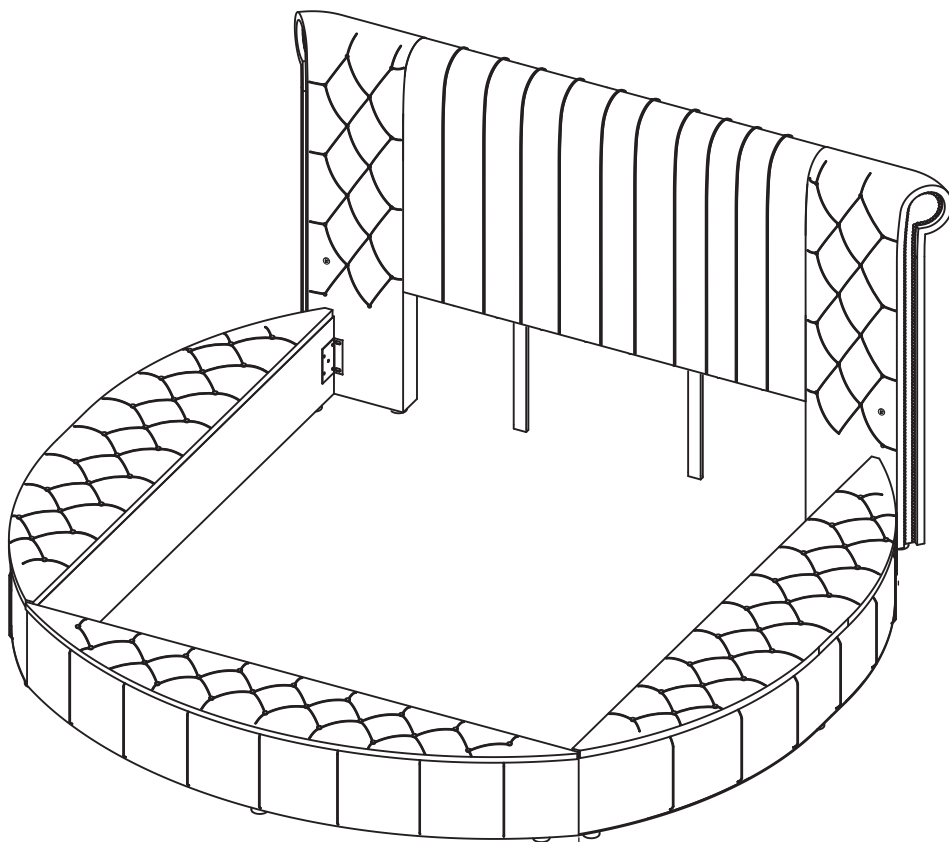


ASSEMBLY INSTRUCTIONS
COASTER FINE FURNITURE



Fine Furniture for every stage of life

36011KE(B1-B5)
Eastern King Bed

ITEM: 360111KE(B1-B5)



ASSEMBLY INSTRUCTIONS

ASSEMBLY TIPS :

1. Remove hardware from box and sort by size.
2. Please check to see that all hardware and parts are present prior to start of assembly.
3. Please follow attached instructions in the same sequence as numbered to assure fast & easy assembly.



WARNING !

1. Don't attempt to repair or modify parts that are broken or defective. Please contact the store immediately.
2. This product is for home use only and not intended for commercial establishments.



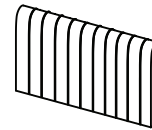
ASSEMBLY TIME

35 MINUTES

PARTS IDENTIFICATION

B1 (BOX 1)

A HEADBOARD PANEL



1PC

B HEADBOARD SUPPORT



2PCS

B2 (BOX 2)

C LEFT WING



1PC

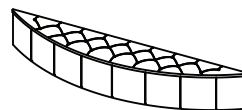
D RIGHT WING



1PC

B3 (BOX 3)

E STORAGE FOOTBOARD



1PC

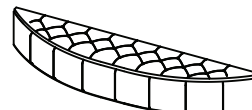
F FEET



9PCS

B4 (BOX 4)

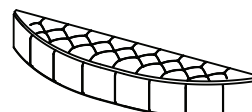
G LEFT BED RAIL STORAGE



1PC

B5 (BOX 5)

H RIGHT BED RAIL STORAGE



1PC

NOTE:

Phillips head screw driver is required in the assembly process; however, manufacturer does not provide this item.

ITEM: 360111KE(B1-B5)



ASSEMBLY INSTRUCTIONS

ASSEMBLY TIPS :

1. Remove hardware from box and sort by size.
2. Please check to see that all hardware and parts are present prior to start of assembly.
3. Please follow attached instructions in the same sequence as numbered to assure fast & easy assembly.



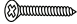





WARNING !

1. Don't attempt to repair or modify parts that are broken or defective. Please contact the store immediately.
2. This product is for home use only and not intended for commercial establishments.

HARDWARE IDENTIFICATION

Z-B3 (BOX 3) - HARDWARE PACK IS LOCATED IN 360111KE(B3)

1	ALLEN WRENCH (Φ4 X 95mm- ZINC)		1PC
2	BOLT (Φ6 X 35mm - RBW)		18PCS
3	FLAT HEAD SCREW (Φ4 X 32mm - RBW)		9PCS
4	LOCK WASHER (Φ6 - RBW)		18PCS
5	FLAT WASHER (Φ7 X 19mm X 2.0 - RBW)		18PCS
6	PLASTIC DOWEL (Φ8 X 30MM)		4PCS

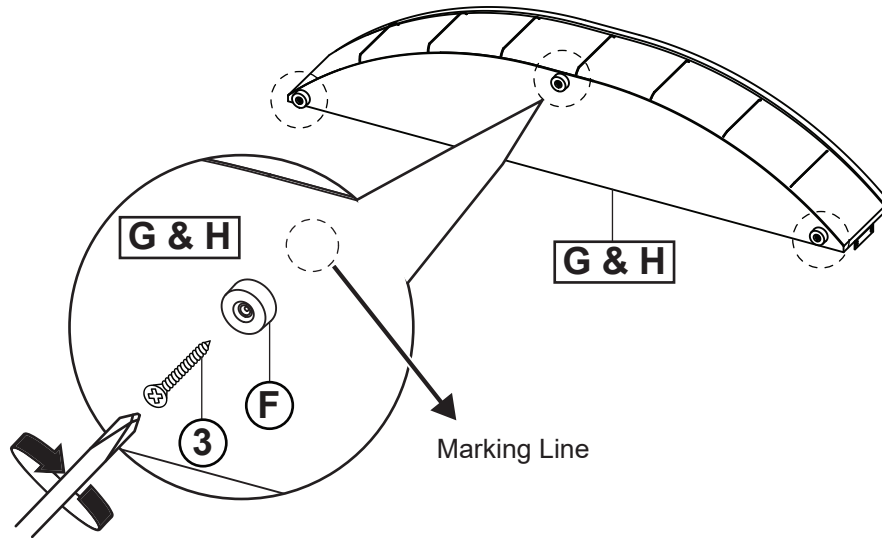
NOTE:

Phillips head screw driver is required in the assembly process; however, manufacturer does not provide this item.

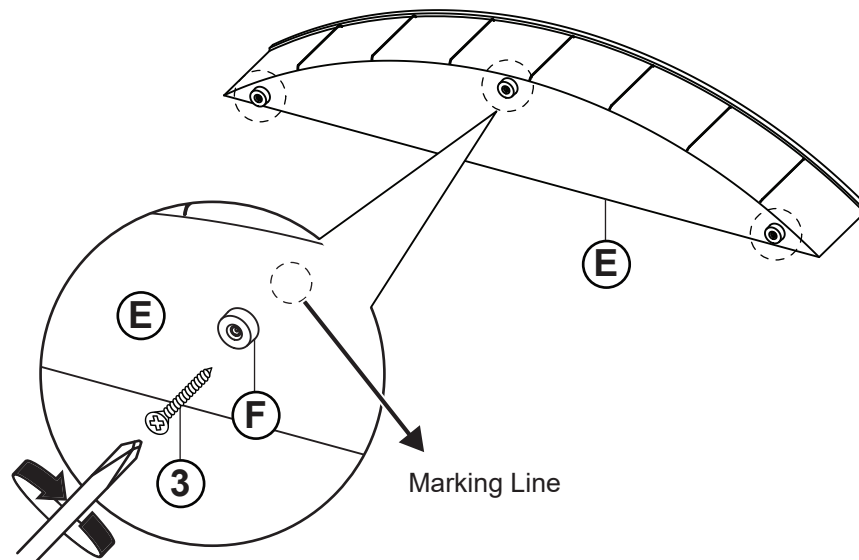
ITEM: **360111KE(B1-B5)**

ASSEMBLY INSTRUCTIONS

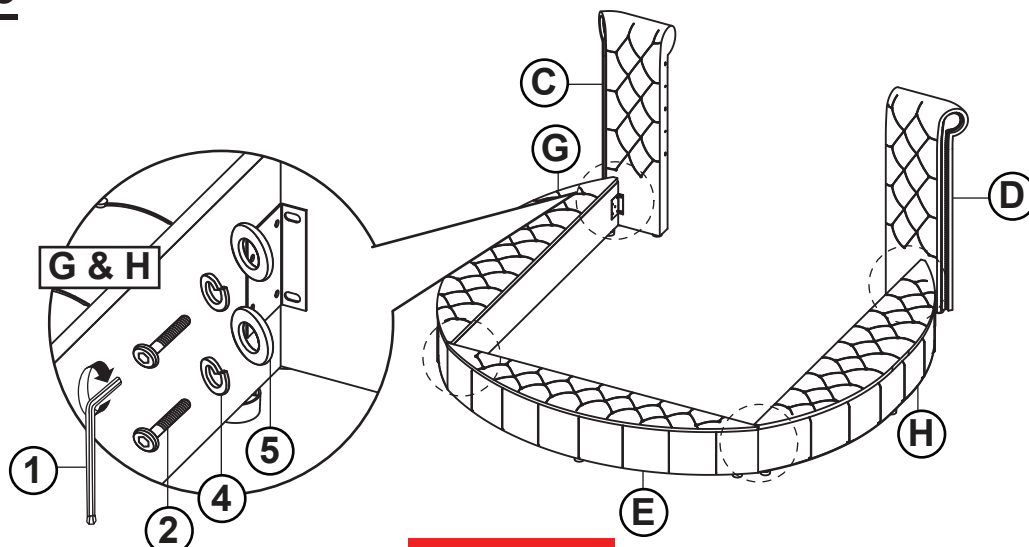
STEP 1



STEP 2



STEP 3

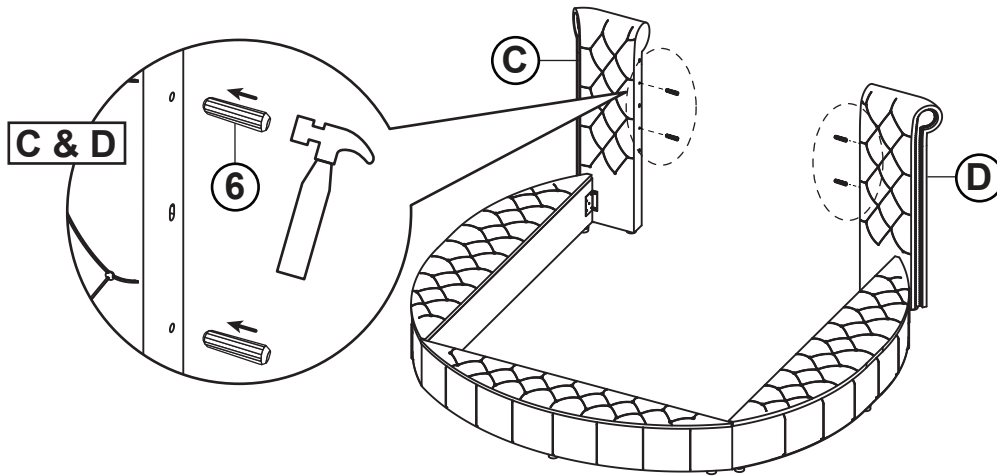


ITEM: 360111KE(B1-B5)

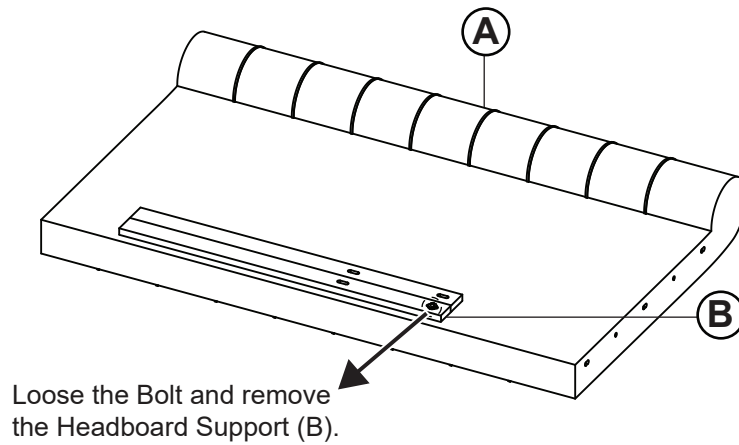


ASSEMBLY INSTRUCTIONS

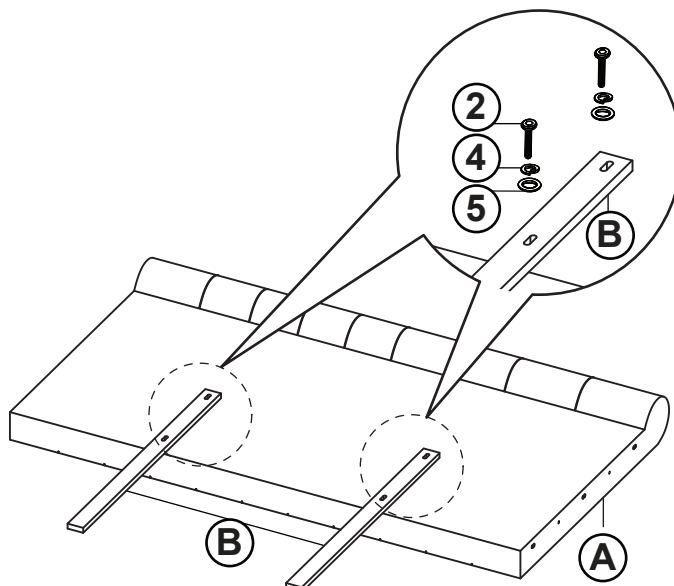
STEP 4



STEP 5



STEP 6



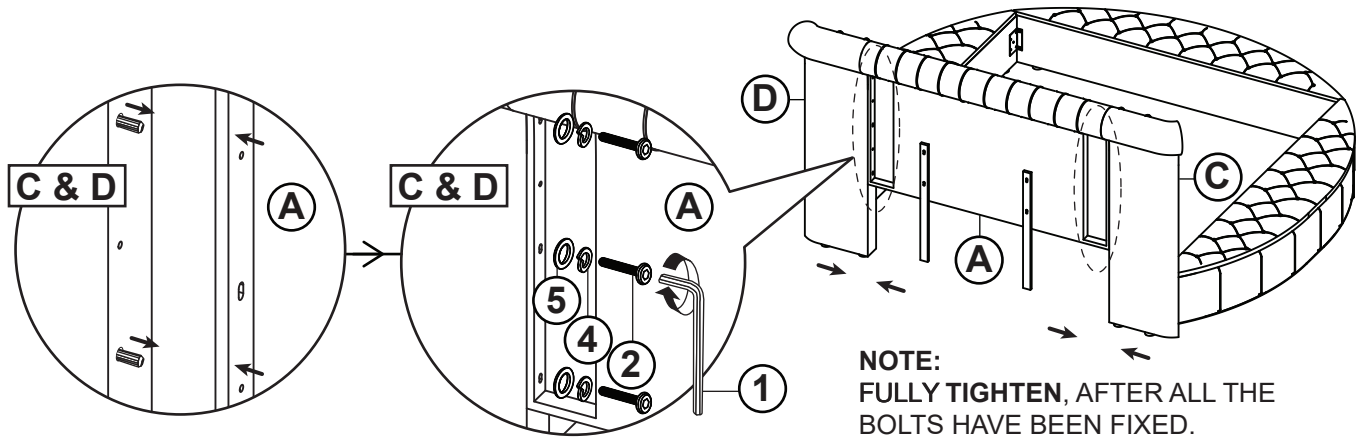
Hand Tighten all the Bolts.

ITEM: 360111KE(B1-B5)

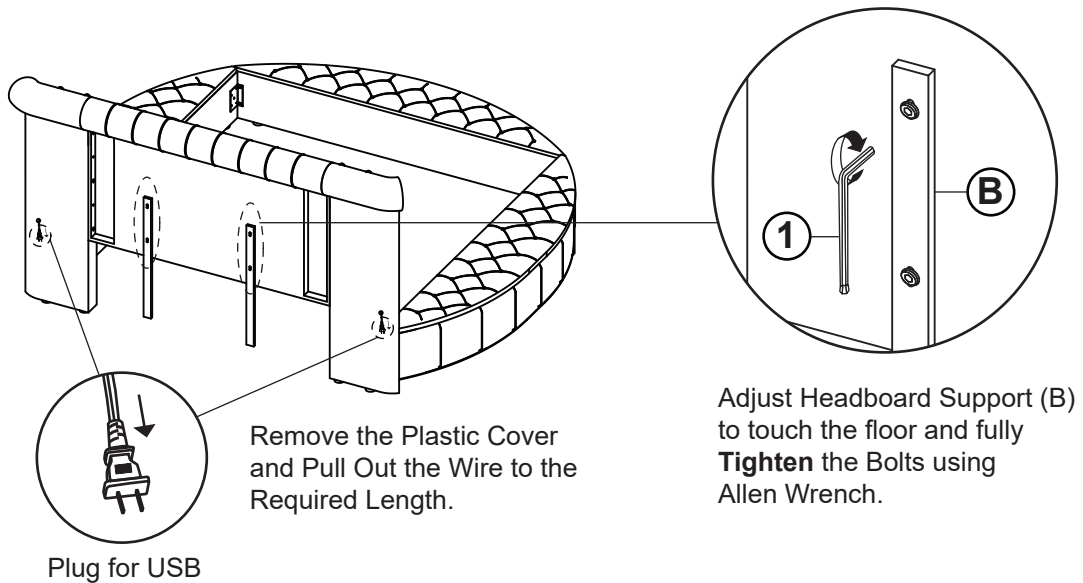


ASSEMBLY INSTRUCTIONS

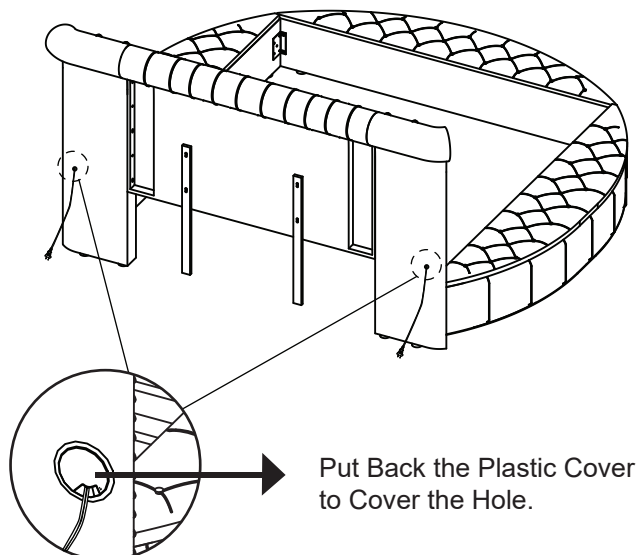
STEP 7



STEP 8



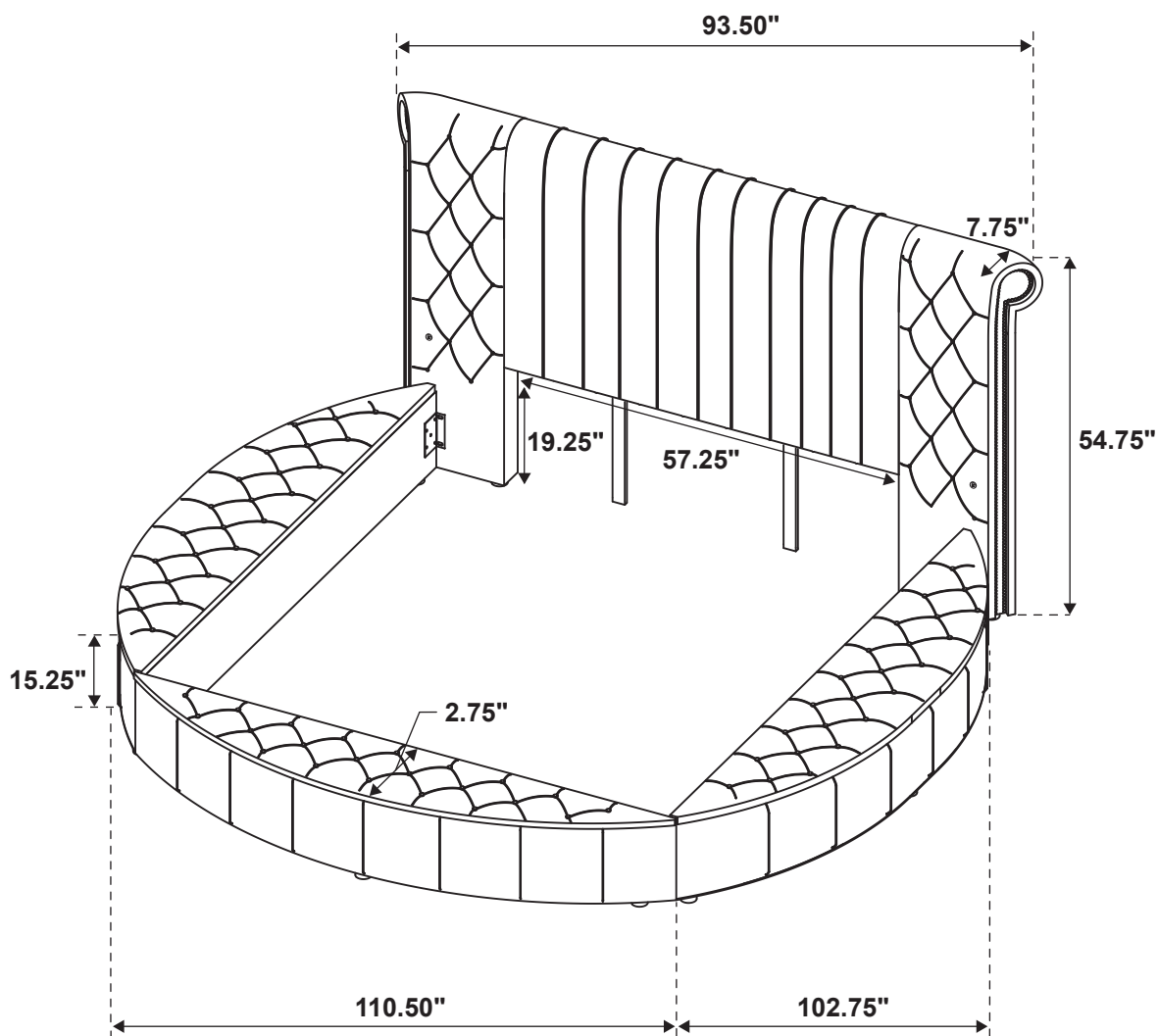
STEP 9 **COMPLETE**



ITEM: **36011KE(B1-B5)**



Inner Size : 76.75"W x 82.00"D



Note: Dimension tolerance $\pm 5\%$

ASSEMBLY INSTRUCTIONS
COASTER FINE FURNITURE



Fine Furniture for every stage of life

360112
Nightstand

ITEM: **360112**



ASSEMBLY INSTRUCTIONS

ASSEMBLY TIPS:

1. Remove hardware from box and sort by size.
2. Please check to see that all hardware and parts are present prior to start of assembly.
3. Please follow attached instructions in the same sequence as numbered to assure fast & easy assembly.



WARNING!

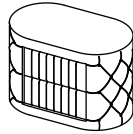


1. Don't attempt to repair or modify parts that are broken or defective. Please contact the store immediately.
2. This product is for home use only and not intended for commercial establishments.



ASSEMBLY TIME

15 MINUTES

PARTS IDENTIFICATION

A	NIGHTSTAND		1PC
B	FEET		4PCS
C	GLASS TOP		1PC

HARDWARE IDENTIFICATION

1	FLAT HEAD SCREW (Φ4 X 32mm - RBW)		4PCS
---	--------------------------------------	---	------

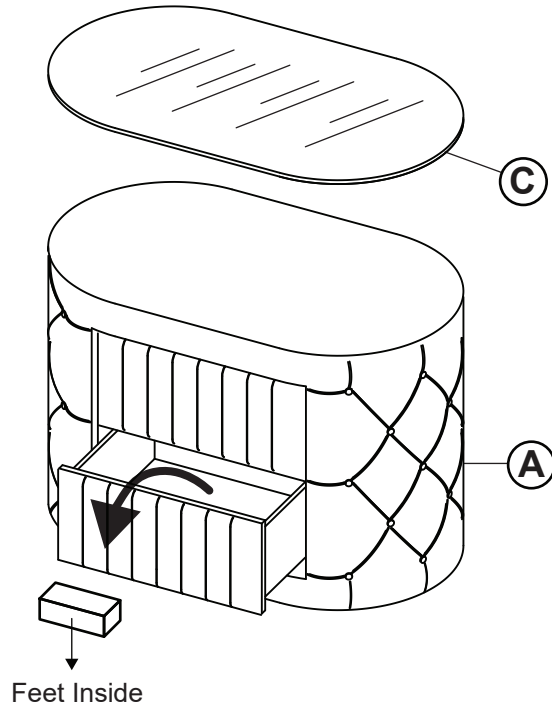
NOTE:

Phillips head screw driver is required in the assembly process; however, manufacturer does not provide this item.

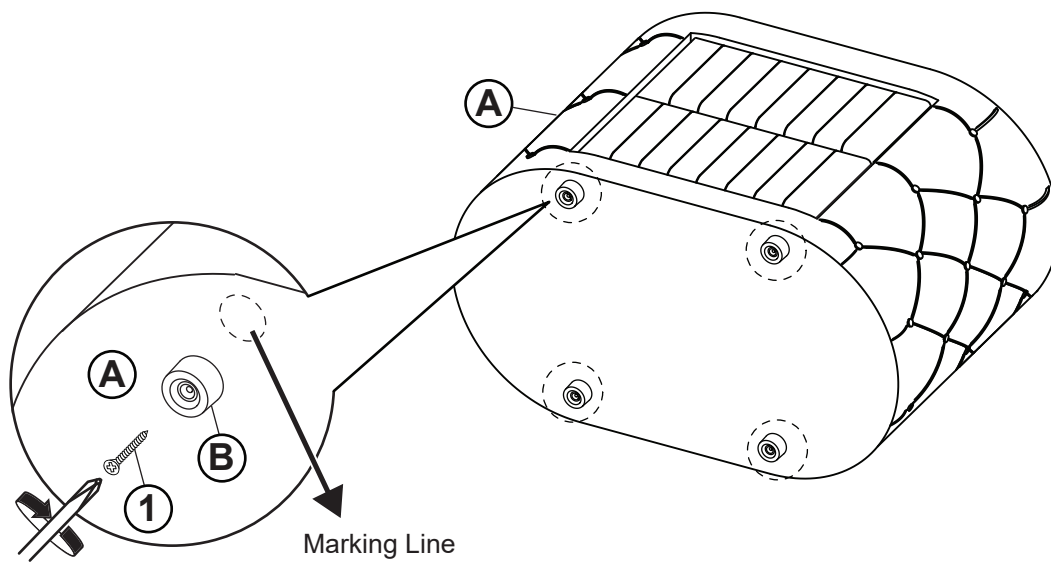
ITEM: **360112**

ASSEMBLY INSTRUCTIONS

STEP 1



STEP 2

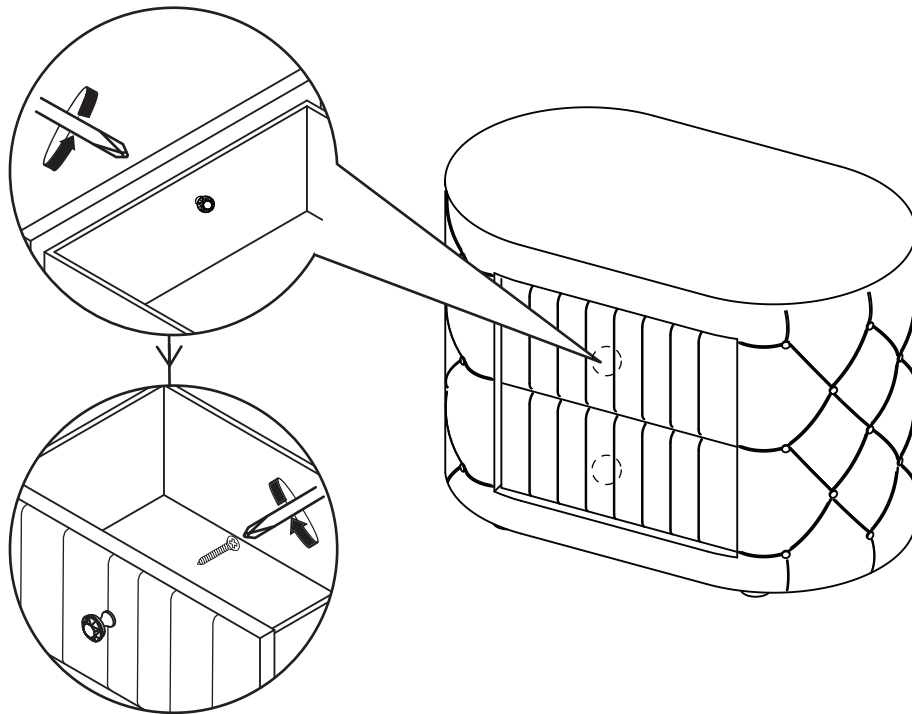


ITEM: **360112**

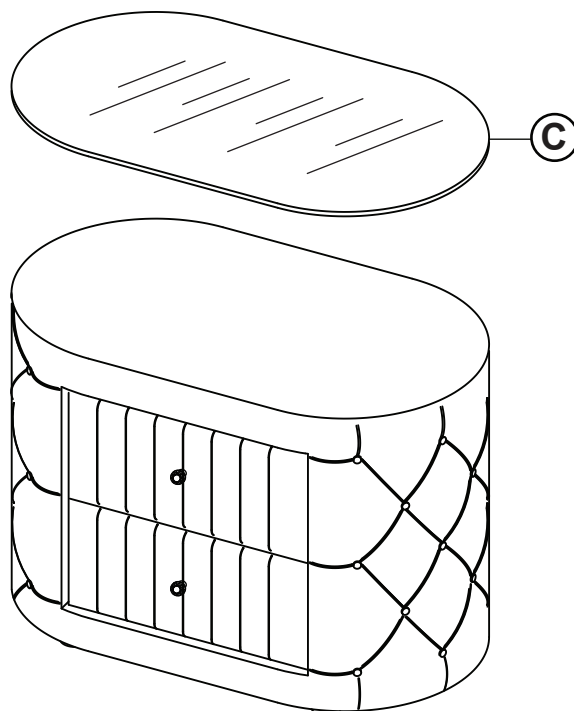


ASSEMBLY INSTRUCTIONS

STEP 3



STEP 4
COMPLETE



ANTI-TIPPING INSTALLMENT INSTRUCTIONS

FURNITURE TIPPING RESTRAINT

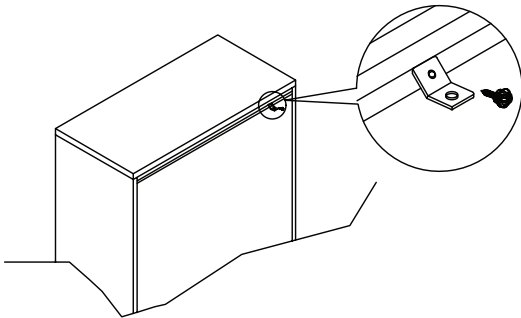
WARNING

Injury may result from tipping furniture.
This restraint may protect against tipping furniture.
Do not allow children to climb on furniture.
This restraint is not a substitute for proper adult supervision.
Failure to detach this restraint before moving the furniture may result in injury and damage.

This restraint must be screwed to a wood stud on the wall, using the long screw provided.

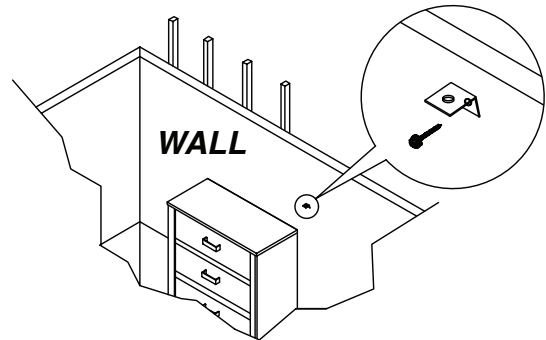
STEP 1

Secure the bracket to the back top of the unit, using the short screw provided, as shown in the drawing.



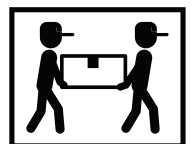
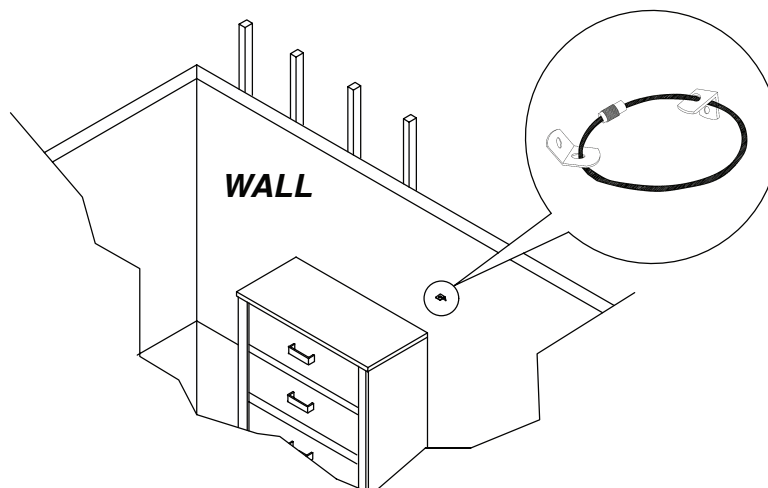
STEP 2

Locate the wood stud on the wall and secure the other bracket 2 inches below the back of the unit, using the long screw.



STEP 3

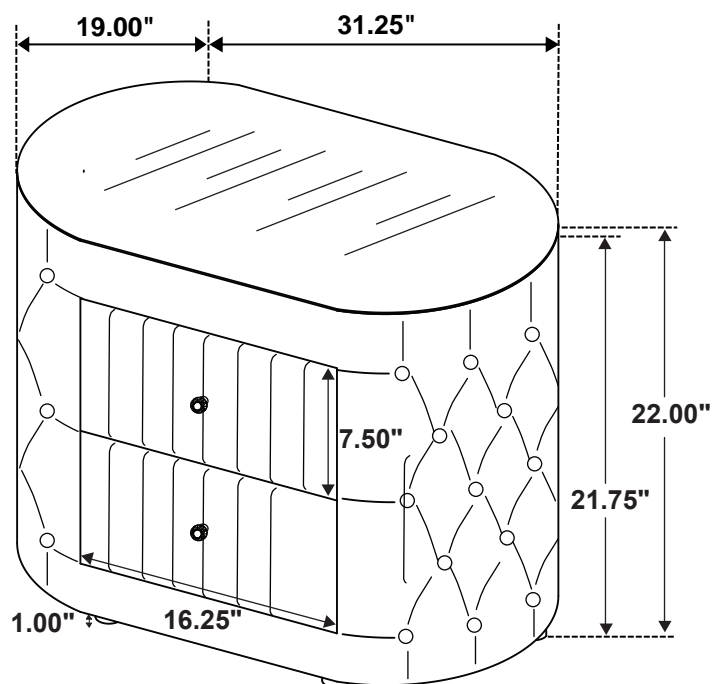
Place the furniture into position so both mounting brackets are vertically in line. Lace the threaded end of the restraint strap through the hole in each mounting bracket. Bring both ends together and rotate the thumb nut onto the threaded end until tight. Ensure that the restraint strap is securely laced and locked.



ITEM: 360112



Inner Size of Drawer : 15.00"W x 12.50"D x 5.25"H x 0.25"T



Note: Dimension tolerance $\pm 5\%$

ASSEMBLY INSTRUCTIONS
COASTER FINE FURNITURE



Fine Furniture for every stage of life

360113
Dresser

ITEM: **360113**



ASSEMBLY INSTRUCTIONS

ASSEMBLY TIPS:

1. Remove hardware from box and sort by size.
2. Please check to see that all hardware and parts are present prior to start of assembly.
3. Please follow attached instructions in the same sequence as numbered to assure fast & easy assembly.



WARNING!

1. Don't attempt to repair or modify parts that are broken or defective. Please contact the store immediately.
2. This product is for home use only and not intended for commercial establishments.

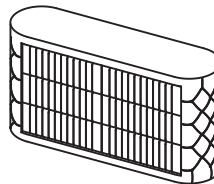


ASSEMBLY TIME

15 MINUTES

PARTS IDENTIFICATION

A DRESSER



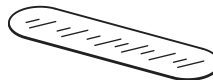
1PC

B FEET



4PCS

C GLASS TOP



1PC

HARDWARE IDENTIFICATION

1 FLAT HEAD SCREW
(Φ4 X 32mm - RBW)



4PCS

NOTE:

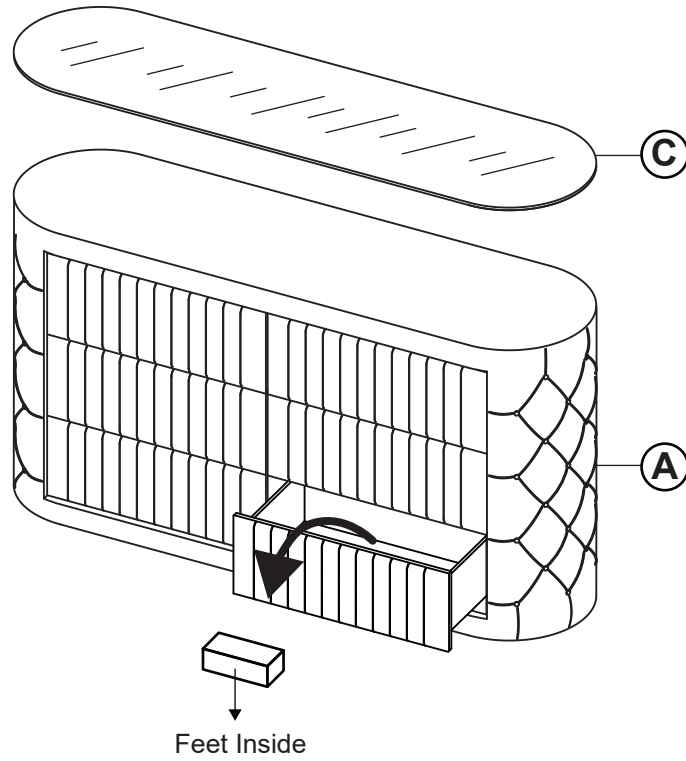
Phillips head screw driver is required in the assembly process; however, manufacturer does not provide this item.

ITEM: **360113**

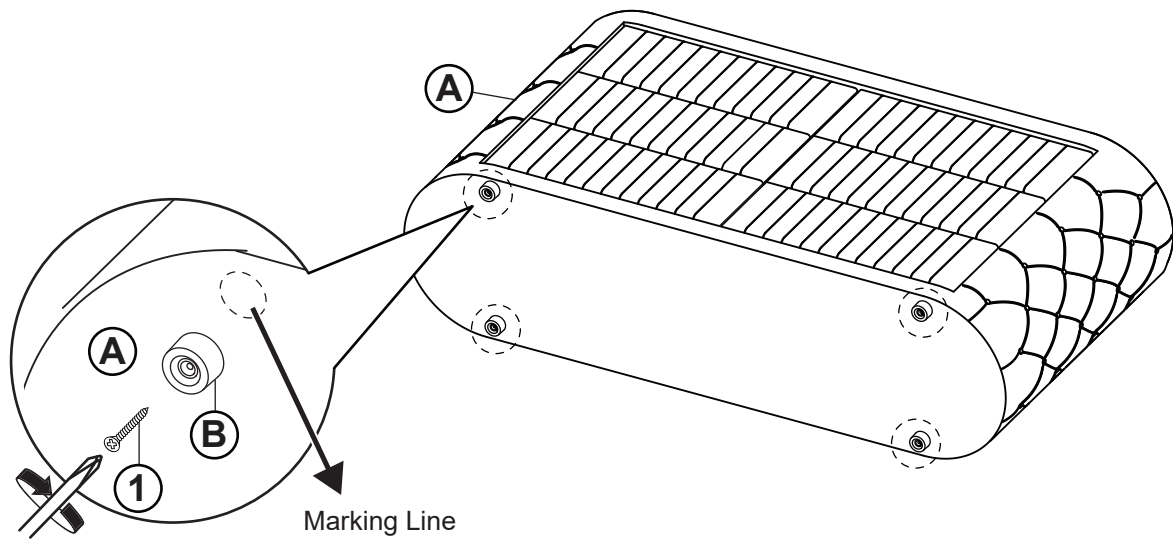


ASSEMBLY INSTRUCTIONS

STEP 1



STEP 2

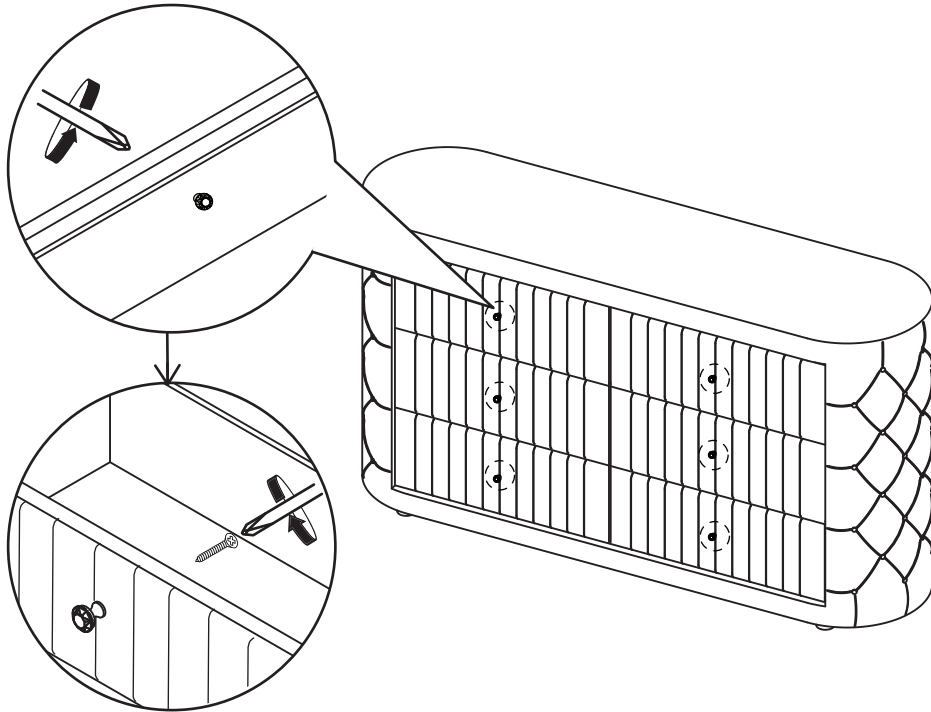


ITEM: **360113**

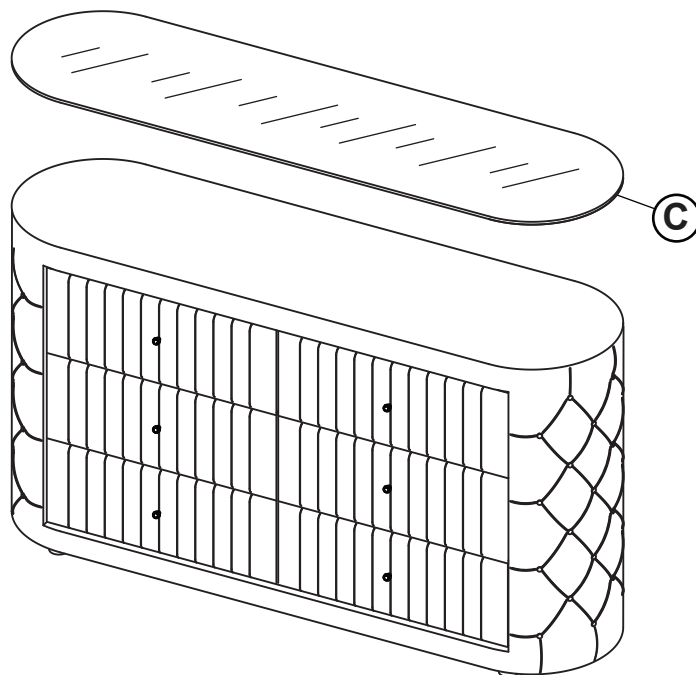


ASSEMBLY INSTRUCTIONS

STEP 3



STEP 4
COMPLETE



ANTI-TIPPING INSTALLMENT INSTRUCTIONS

FURNITURE TIPPING RESTRAINT

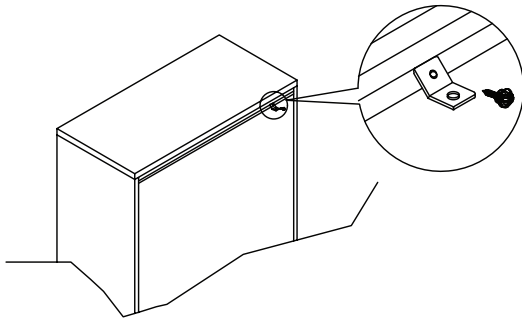
WARNING

Injury may result from tipping furniture.
 This restraint may protect against tipping furniture.
 Do not allow children to climb on furniture.
 This restraint is not a substitute for proper adult supervision.
 Failure to detach this restraint before moving the furniture may result in injury and damage.

This restraint must be screwed to a wood stud on the wall, using the long screw provided.

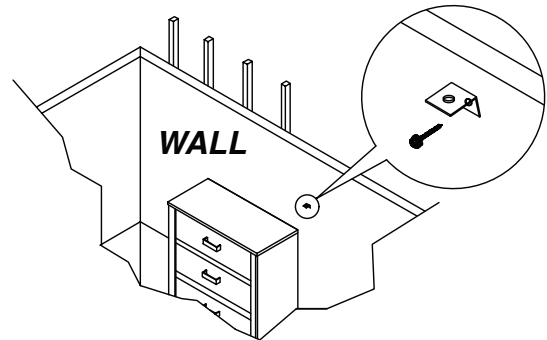
STEP 1

Secure the bracket to the back top of the unit, using the short screw provided, as shown in the drawing.



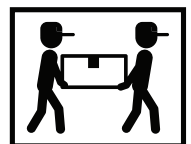
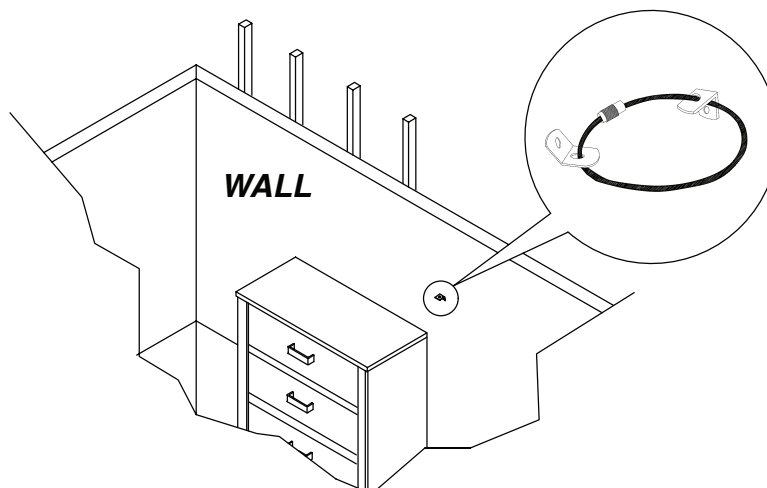
STEP 2

Locate the wood stud on the wall and secure the other bracket 2 inches below the back of the unit, using the long screw.



STEP 3

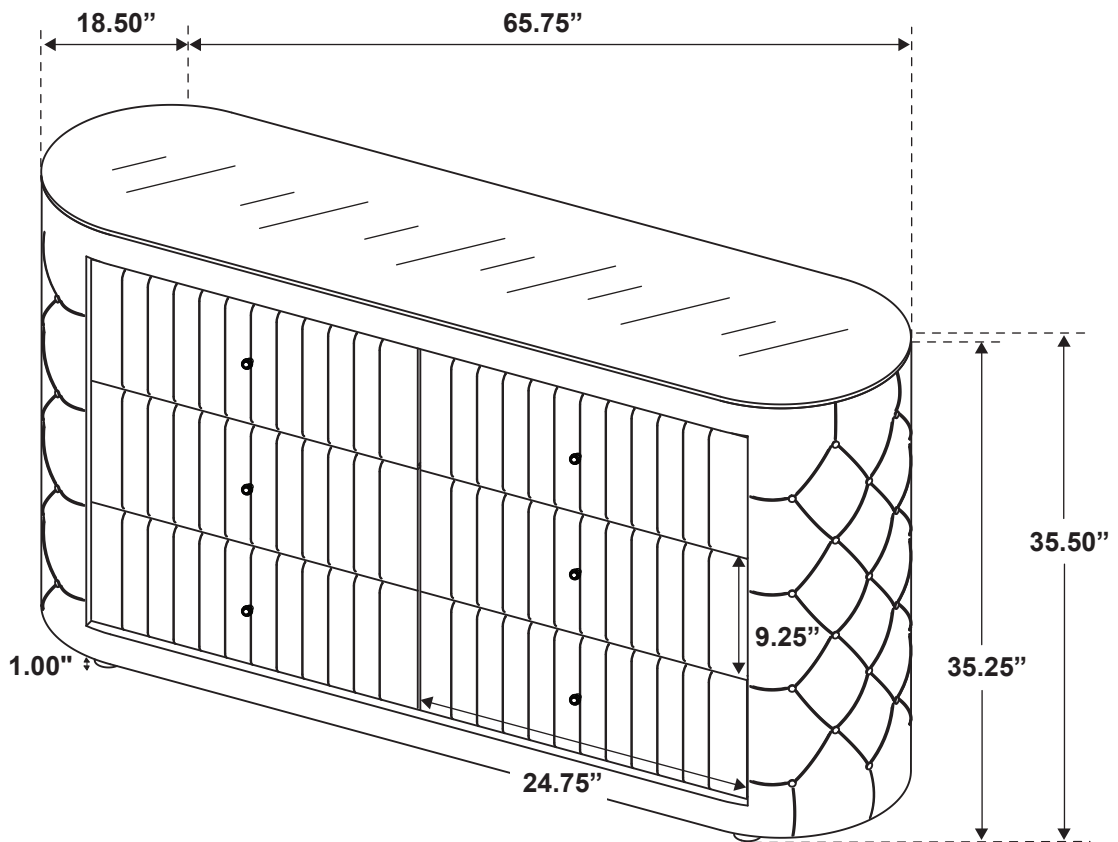
Place the furniture into position so both mounting brackets are vertically in line. Lace the threaded end of the restraint strap through the hole in each mounting bracket. Bring both ends together and rotate the thumb nut onto the threaded end until tight. Ensure that the restraint strap is securely laced and locked.



ITEM: 360113



Inner Size of Drawer : 23.25"W x 12.50"D x 6.25"H x 0.25"T



Note: Dimension tolerance $\pm 5\%$

ASSEMBLY INSTRUCTIONS
COASTER FINE FURNITURE



Fine Furniture for every stage of life

360114
Mirror

ITEM: **360114**



ASSEMBLY INSTRUCTIONS

ASSEMBLY TIPS:

1. Remove hardware from box and sort by size.
2. Please check to see that all hardware and parts are present prior to start of assembly.
3. Please follow attached instructions in the same sequence as numbered to assure fast & easy assembly.



WARNING!

1. Don't attempt to repair or modify parts that are broken or defective. Please contact the store immediately.
2. This product is for home use only and not intended for commercial establishments.



ASSEMBLY TIME

15 MINUTES

PARTS IDENTIFICATION

A MIRROR



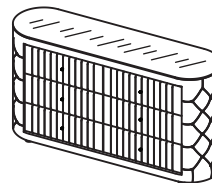
1PC

B MIRROR SUPPORT
(PACKED WITH MIRROR)



2PCS

C DRESSER
*FROM BOX ITEM # 360113



1PC

HARDWARE IDENTIFICATION

1 ALLEN WRENCH
(Φ4 X 95mm - ZINC)



1PC

2 BOLT
(Φ6 X 40mm - RBW)



8PCS

3 LOCK WASHER
(Φ6 - RBW)



8PCS

4 FLAT WASHER
(Φ7 X 19mm X 2.0 - RBW)



8PCS

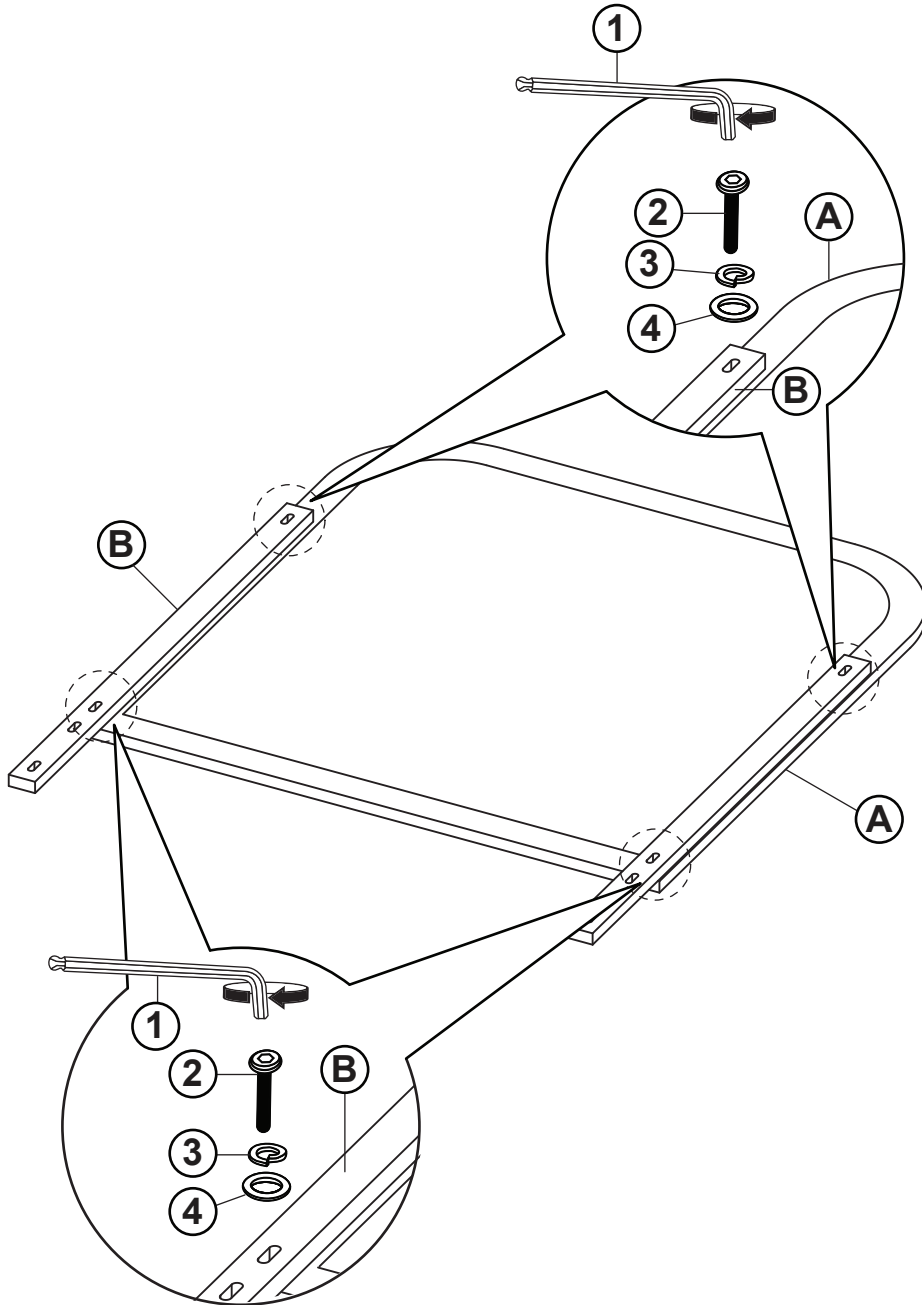
NOTE:

Phillips head screw driver is required in the assembly process; however, manufacturer does not provide this item.

ITEM: **360114**

ASSEMBLY INSTRUCTIONS

STEP 1

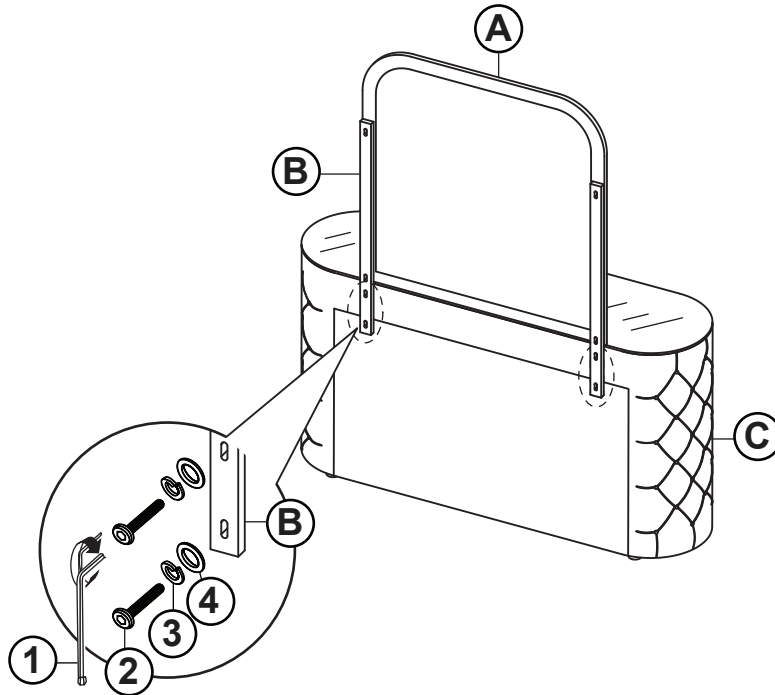


*Back View

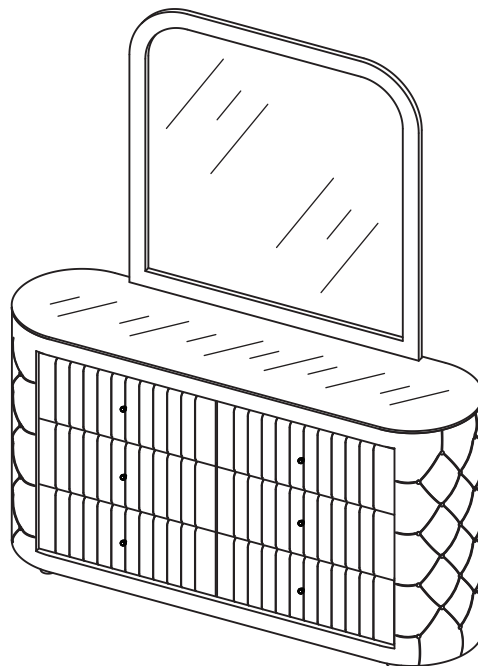
ITEM: **360114**

ASSEMBLY INSTRUCTIONS

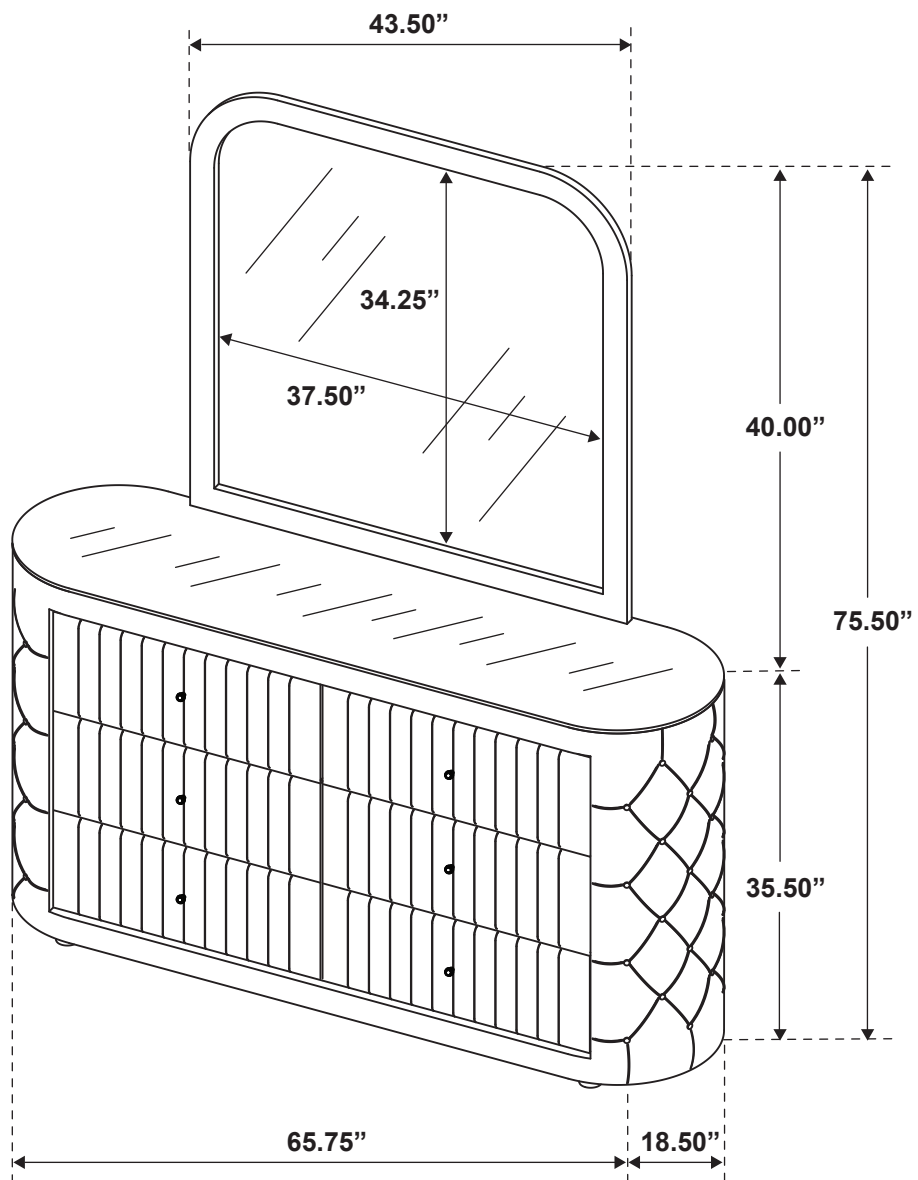
STEP 2



STEP 3
COMPLETE



ITEM: 360114



Note: Dimension tolerance $\pm 5\%$

ASSEMBLY INSTRUCTIONS
COASTER FINE FURNITURE



Fine Furniture for every stage of life

360115
Chest

ITEM: **360115**



ASSEMBLY INSTRUCTIONS

ASSEMBLY TIPS:

1. Remove hardware from box and sort by size.
2. Please check to see that all hardware and parts are present prior to start of assembly.
3. Please follow attached instructions in the same sequence as numbered to assure fast & easy assembly.



WARNING!

1. Don't attempt to repair or modify parts that are broken or defective. Please contact the store immediately.
2. This product is for home use only and not intended for commercial establishments.

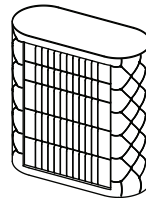


ASSEMBLY TIME

15 MINUTES

PARTS IDENTIFICATION

A CHEST



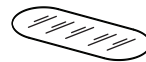
1PC

B FEET



4PCS

C GLASS TOP



1PC

HARDWARE IDENTIFICATION

1 FLAT HEAD SCREW
(Φ4 X 32mm - RBW)



4PCS

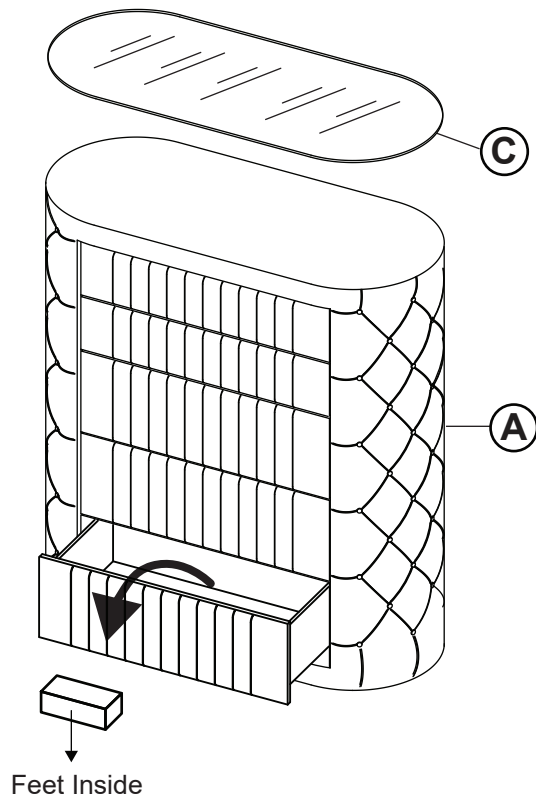
NOTE:

Phillips head screw driver is required in the assembly process; however, manufacturer does not provide this item.

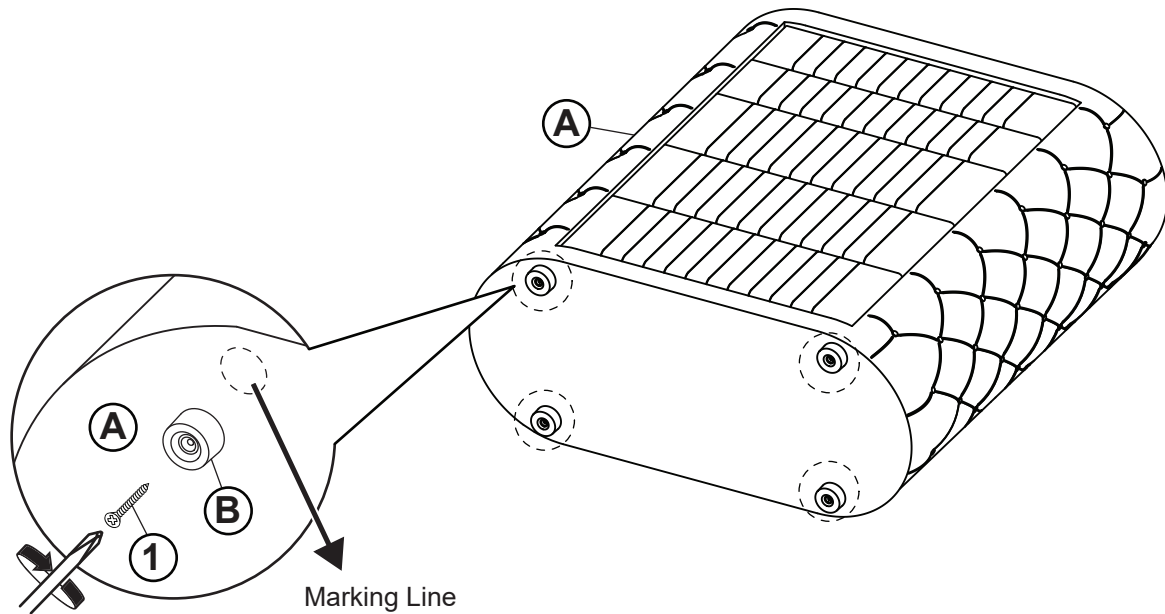
ITEM: **360115**

ASSEMBLY INSTRUCTIONS

STEP 1



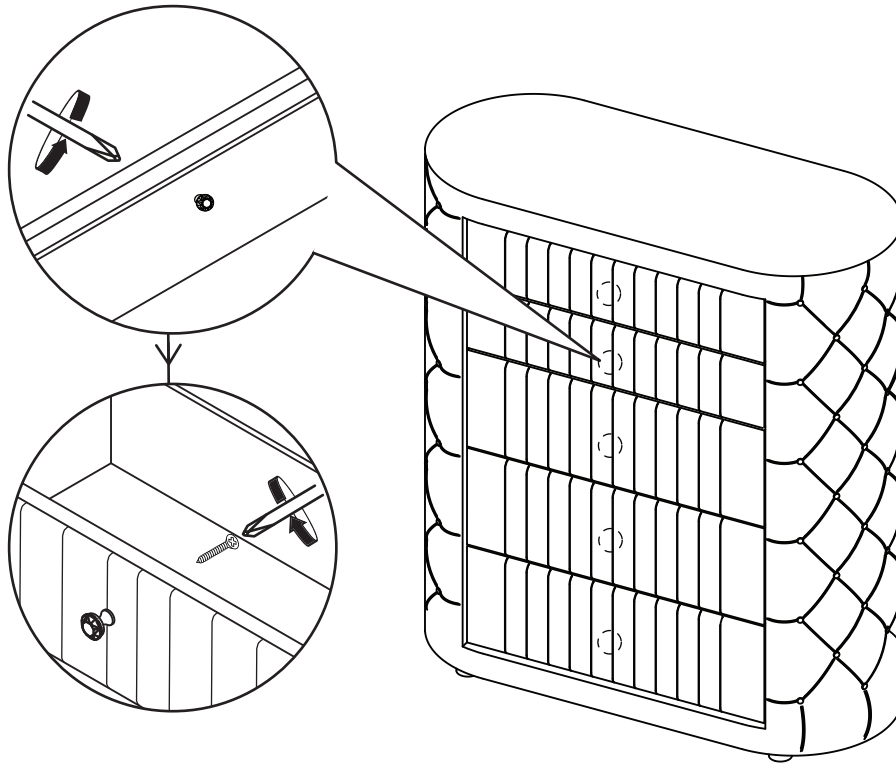
STEP 2



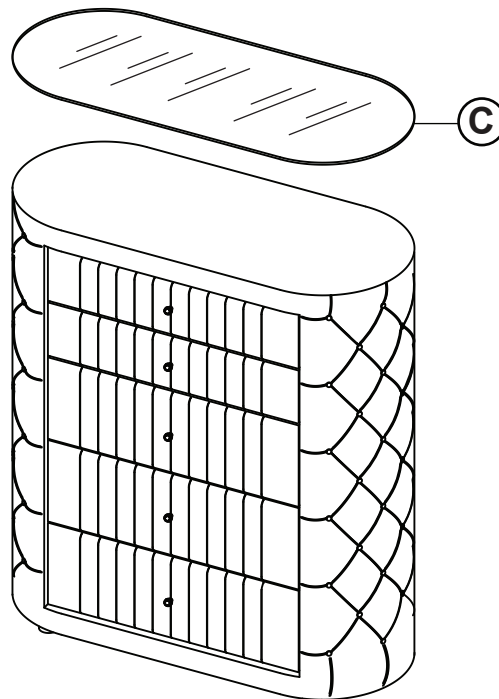
ITEM: **360115**

ASSEMBLY INSTRUCTIONS

STEP 3



STEP 4
COMPLETE



ANTI-TIPPING INSTALLMENT INSTRUCTIONS

FURNITURE TIPPING RESTRAINT

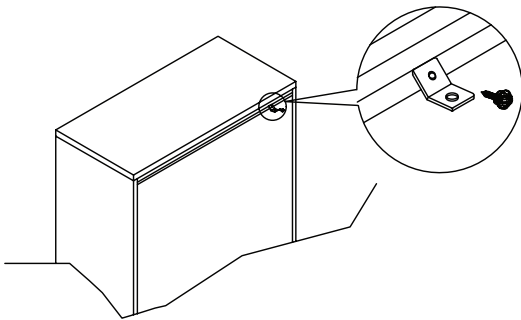
WARNING

Injury may result from tipping furniture.
This restraint may protect against tipping furniture.
Do not allow children to climb on furniture.
This restraint is not a substitute for proper adult supervision.
Failure to detach this restraint before moving the furniture may result in injury and damage.

This restraint must be screwed to a wood stud on the wall, using the long screw provided.

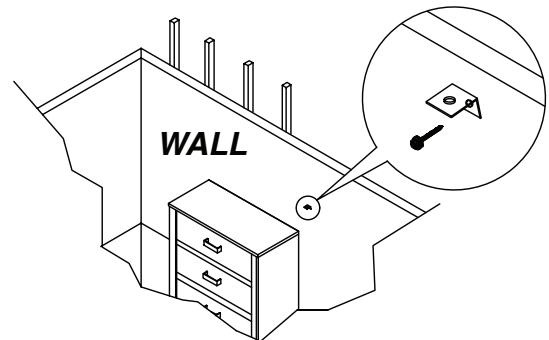
STEP 1

Secure the bracket to the back top of the unit, using the short screw provided, as shown in the drawing.



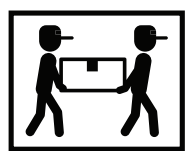
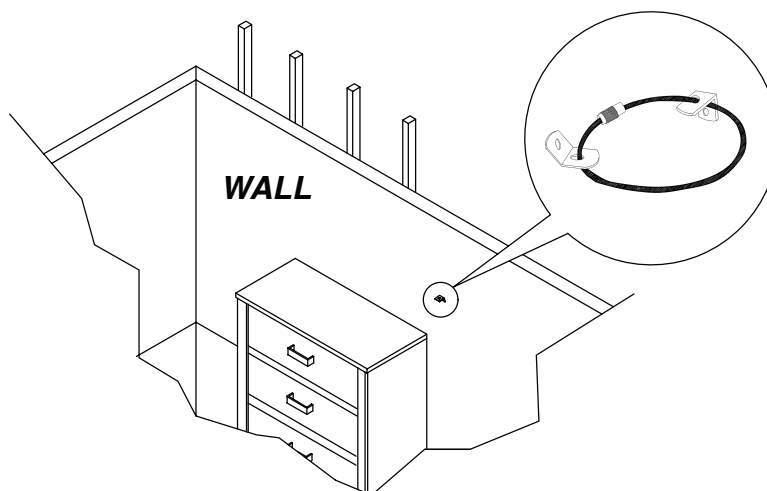
STEP 2

Locate the wood stud on the wall and secure the other bracket 2 inches below the back of the unit, using the long screw.



STEP 3

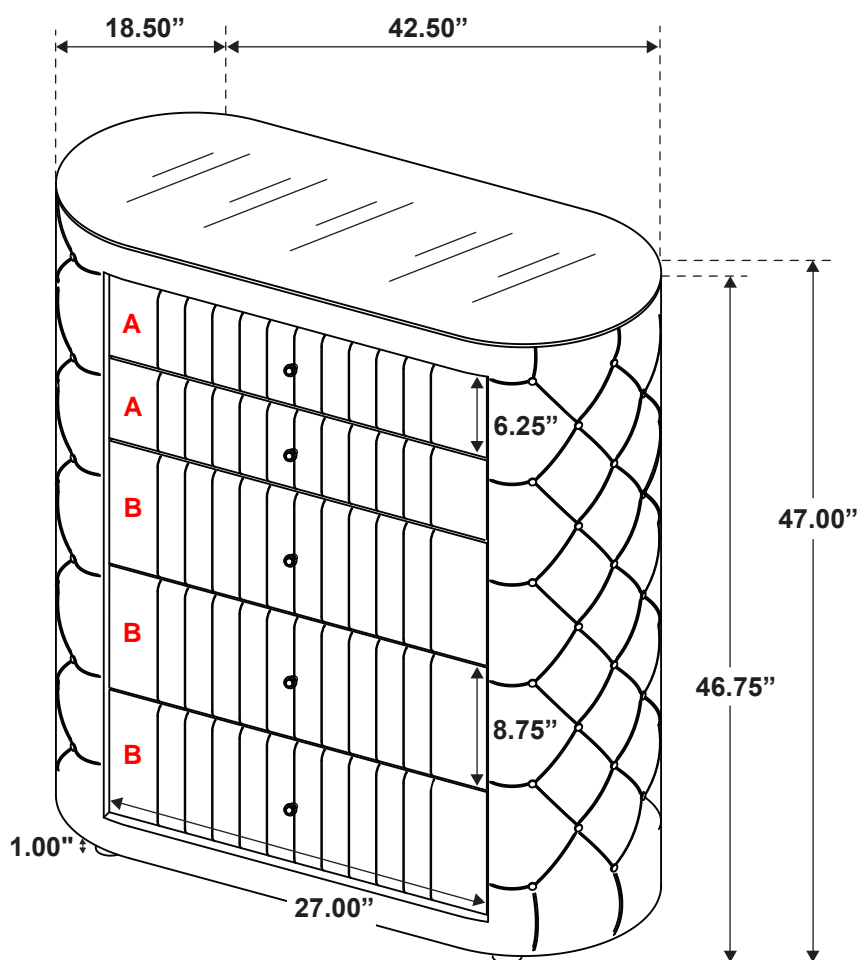
Place the furniture into position so both mounting brackets are vertically in line. Lace the threaded end of the restraint strap through the hole in each mounting bracket. Bring both ends together and rotate the thumb nut onto the threaded end until tight. Ensure that the restraint strap is securely laced and locked.



ITEM: 360115



Inner Size of Drawer A: 26.00"W x 12.50"D x 4.00"H x 0.25"T
Inner Size of Drawer B: 26.00"W x 12.50"D x 6.25"H x 0.25"T



Note: Dimension tolerance $\pm 5\%$