

# WARNING!!

Children have died from furniture tipover. Tip restraints have been included with this product; you must install the tip restraints according to these instructions in order to minimize the risk of furniture tipping.

**NEVER** allow children to climb or hang on furniture, including drawers or cabinet doors.

In addition to installing the restrains, to help prevent tip-over











1. **NEVER** put a TV or other heavy objects on top of this product".
2. Do not stand on the product

 <b>WARNING</b>	
	<p><b>Children have died from furniture tipover. To reduce the risk of furniture tipover:</b></p> <ul style="list-style-type: none"><li>-ALWAYS install anti-tip device provided.</li><li>-NEVER put a TV on this product.</li><li>-NEVER allow children to stand, climb, or hang on any drawers, doors, or shelves.</li><li>-NEVER open more than one drawer at a time.</li><li>-Place heaviest items in the lowest drawers.</li></ul> <p><i>This is a permanent label. Do not remove!</i></p>
	

# Assembly Instructions

**Caution : You must read this before you proceed**

## Care & Maintenance

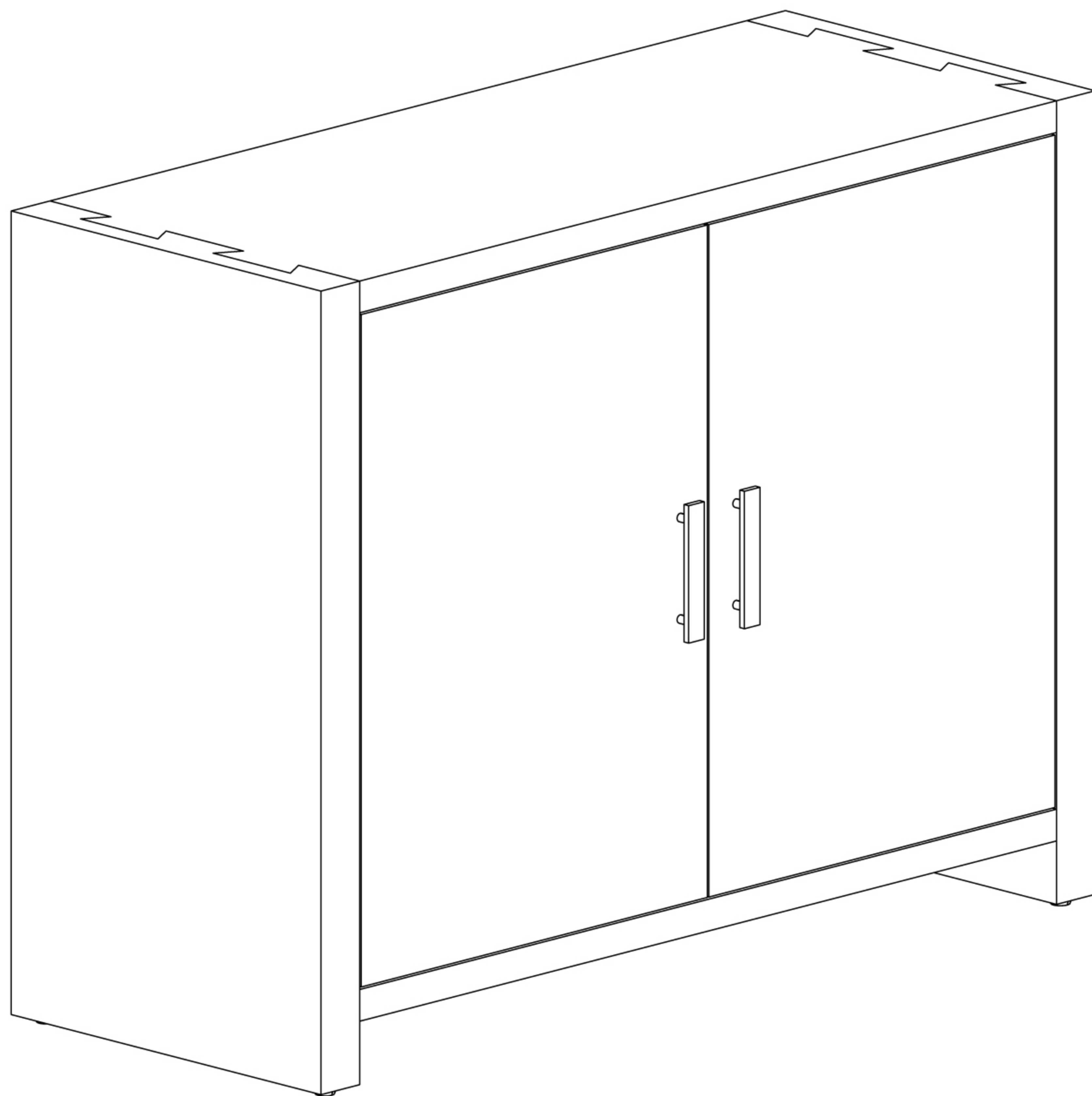
- ⊘  ● Not for commercial use. For residential use only.
- ✓  ● Furniture may scratch floors. We recommend using furniture pads to protect your floors.
- ⊘  ● Do not put hot items directly on furniture surface.
- ⊘  ● Do not clean furniture with harsh cleansers or polish.
- ⊘  ● Do not place furniture under direct sunlight.
- ⊘  ● Do not place furniture near heating or cooling vents.
- ⊘  ● Do not write on furniture without a padded barrier to protect the surface.
- ⊘  ● Do not place furniture outside . For indoor use only.
- ⊘  ● Stains may be removed with mild soap solution and damp cloth.
- ⊘  ● Children should not climb or jump on the furniture.



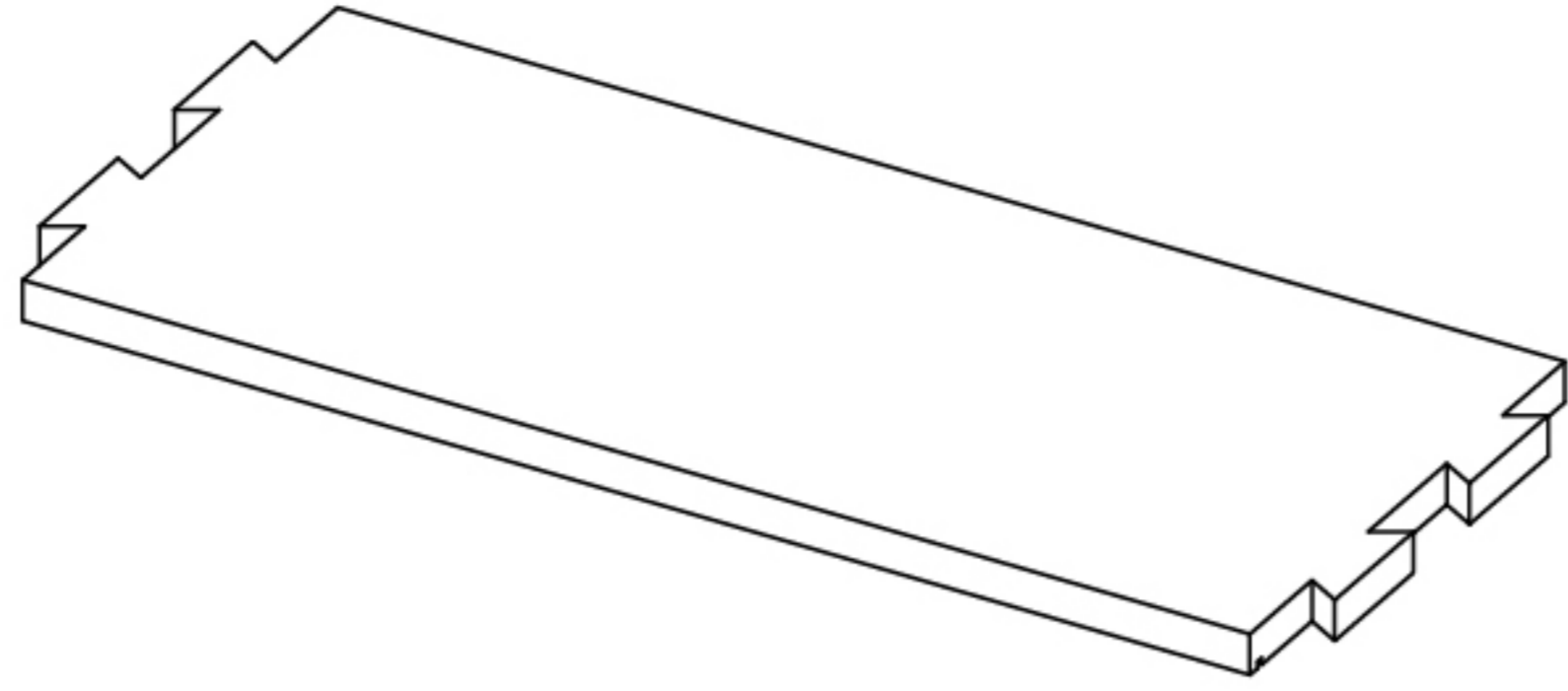
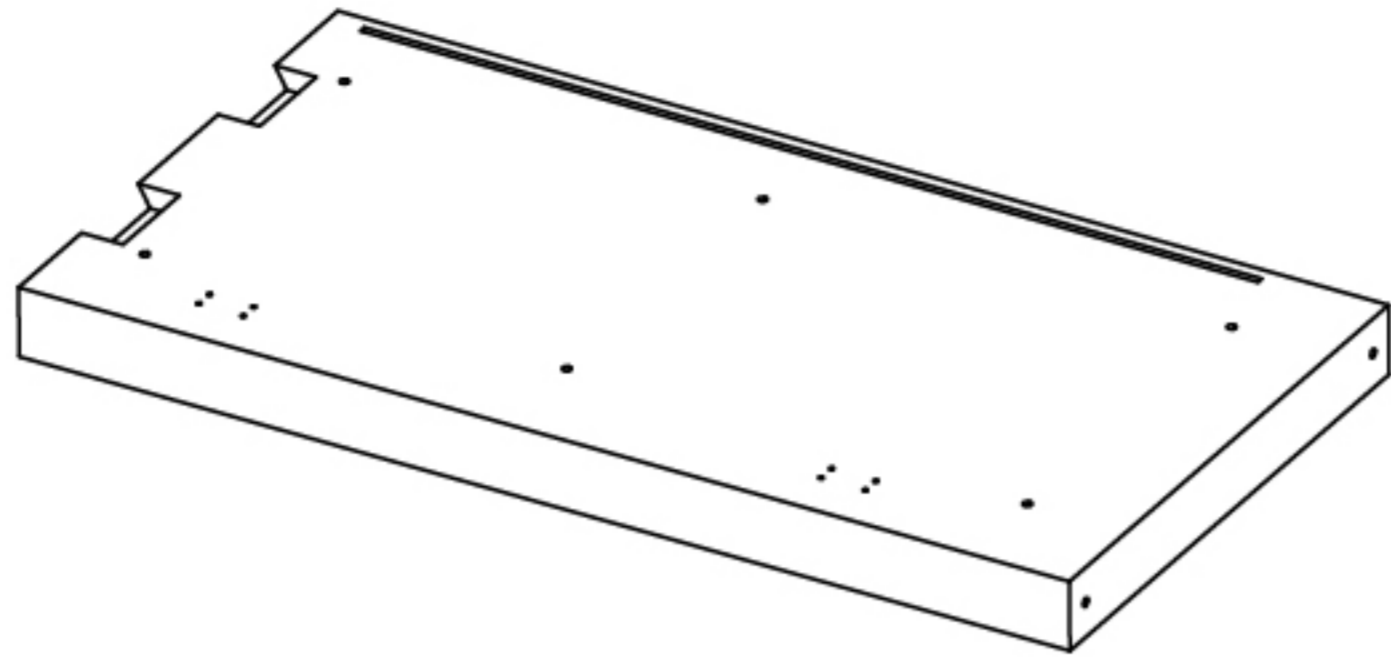
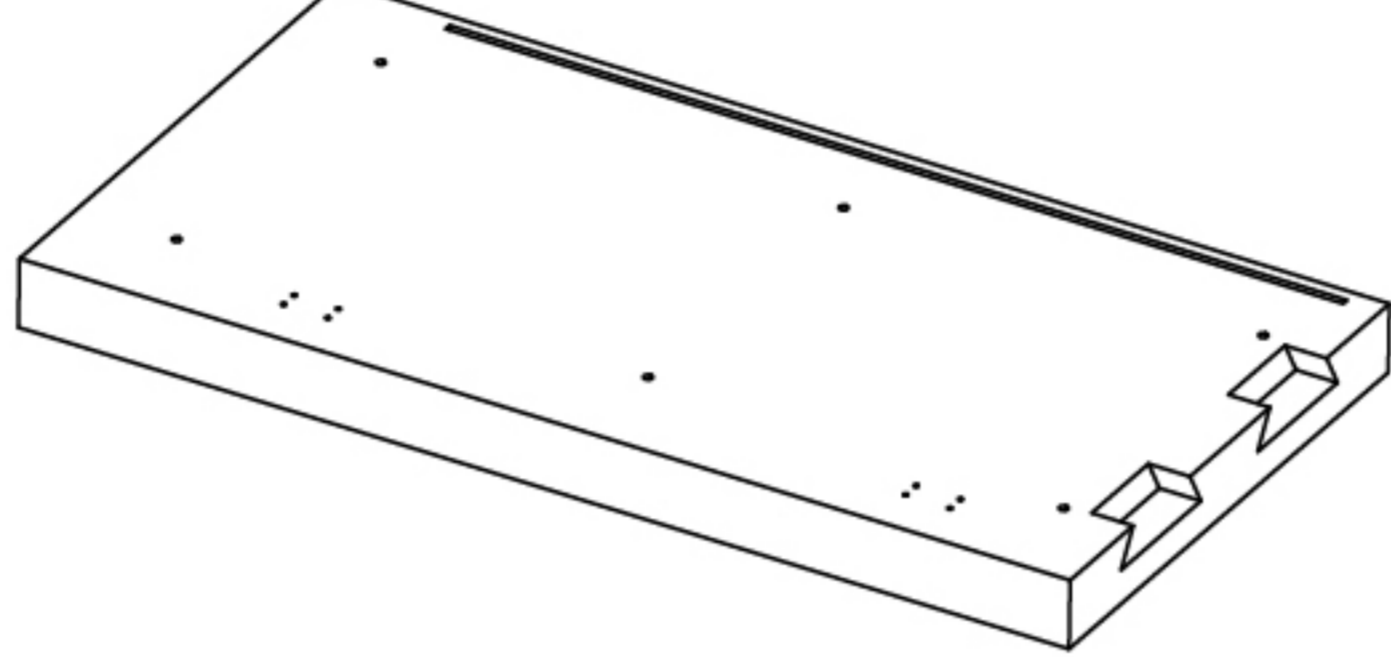
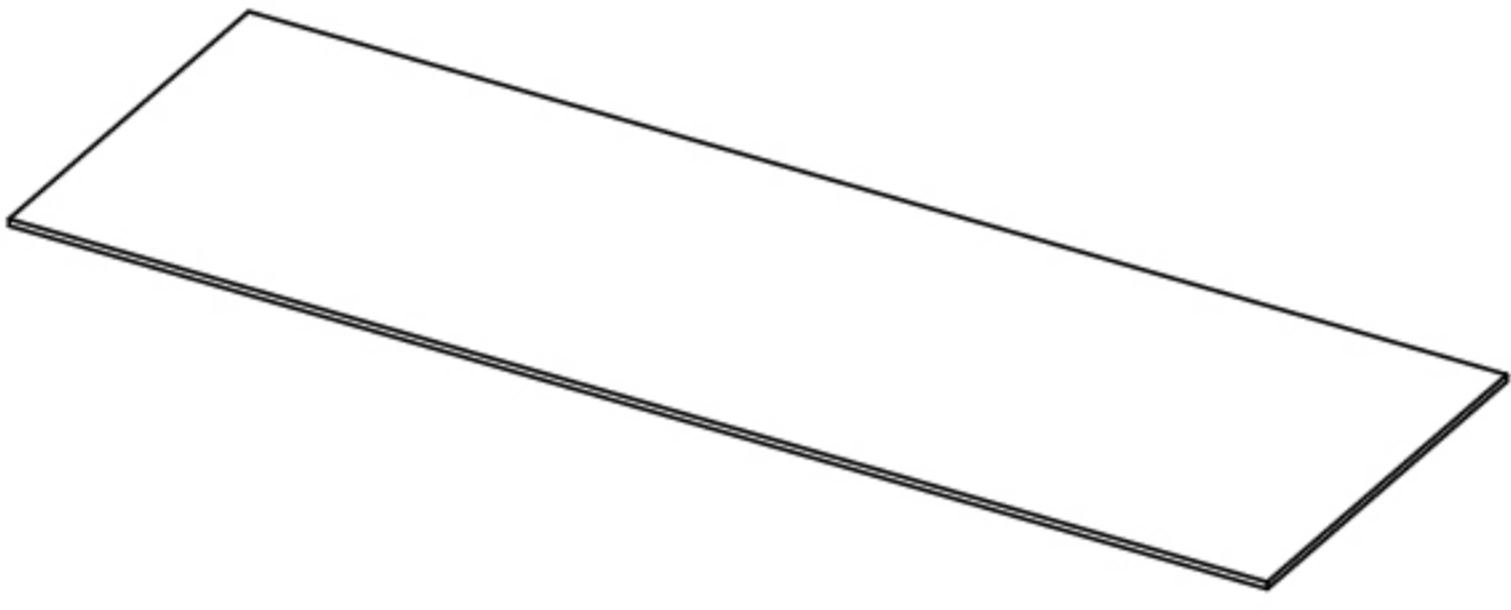
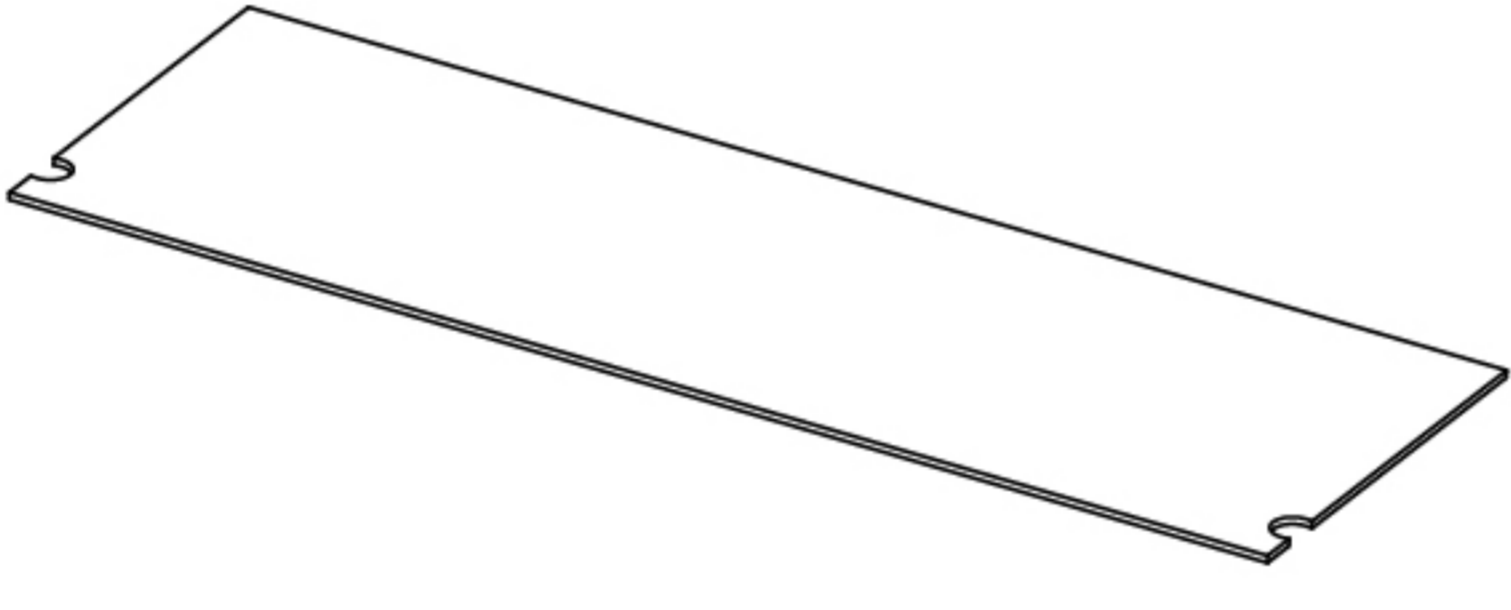
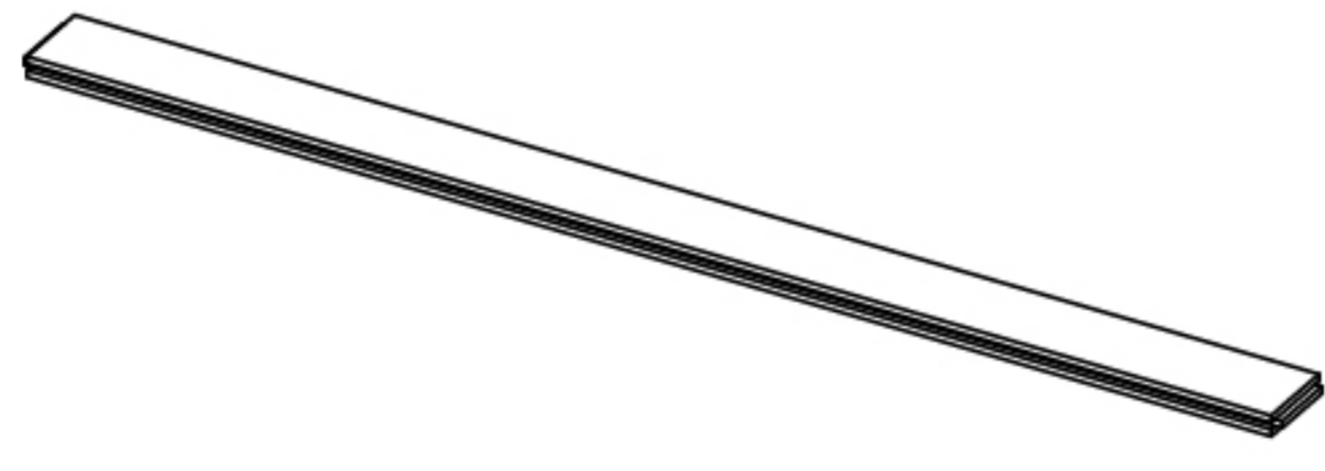
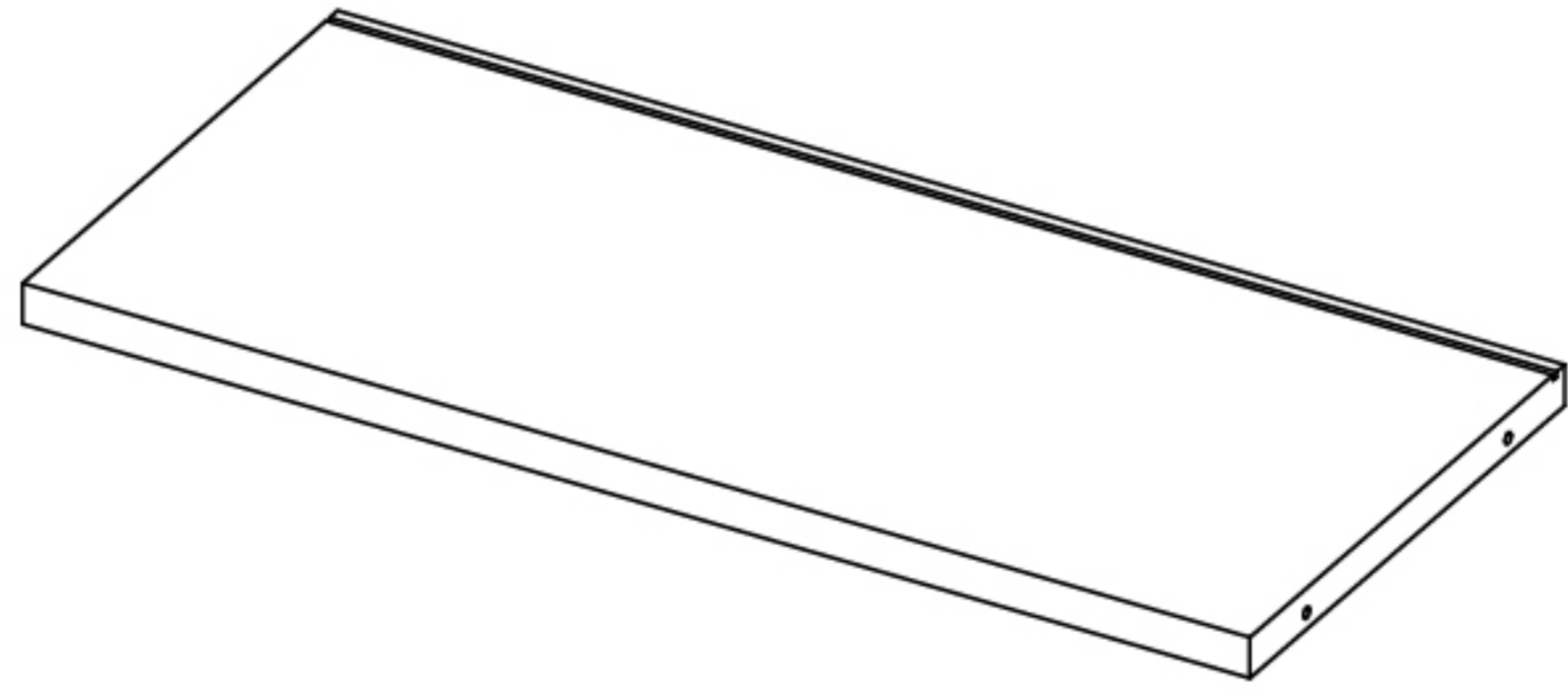
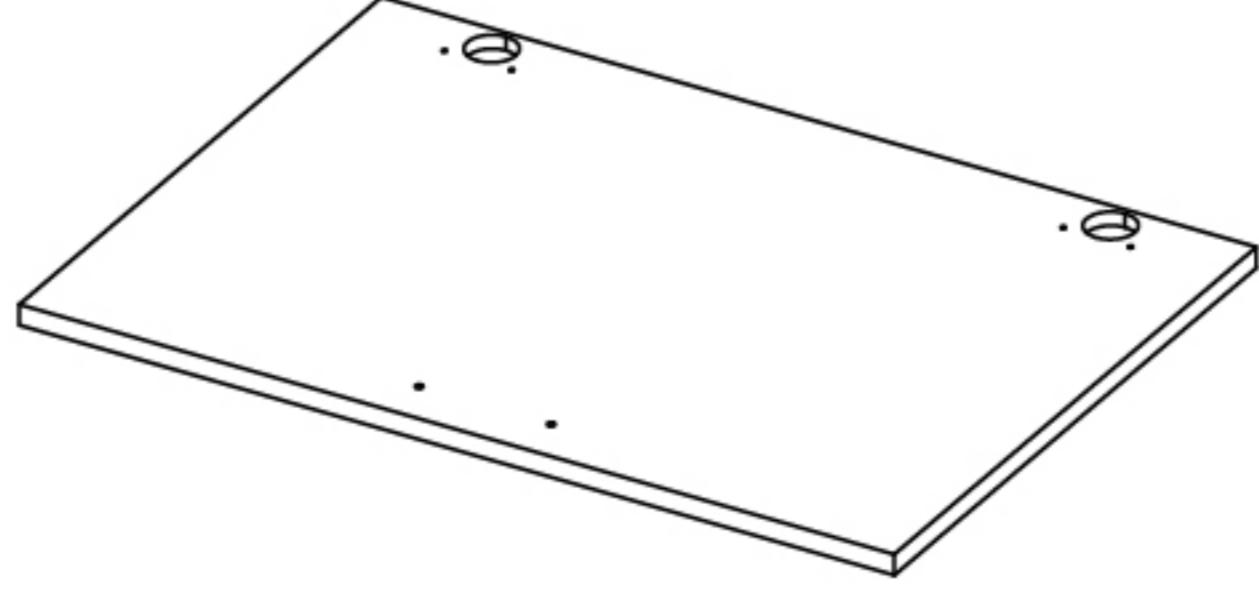
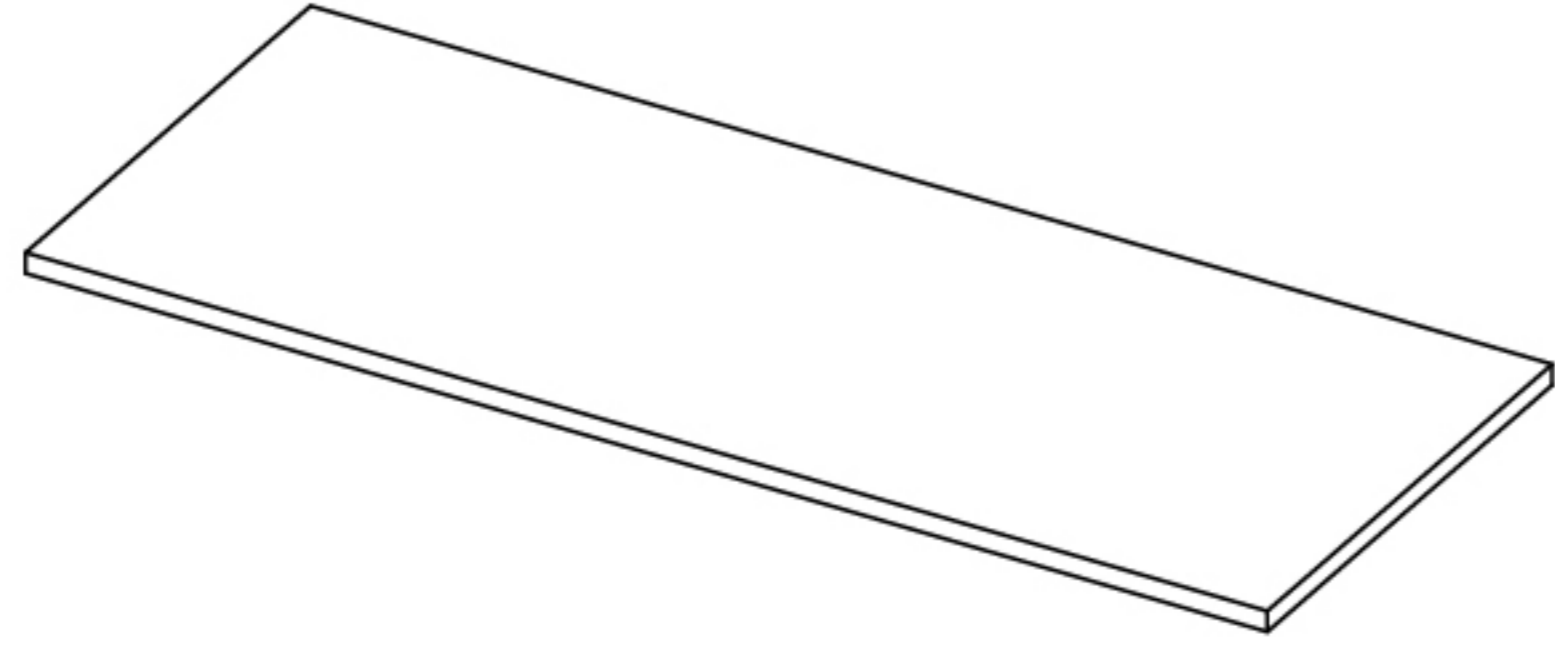
- Dust and pick-up spills using a clean, non-colored, lint-free cloth.

Please look in carton for hardware packs and legs.

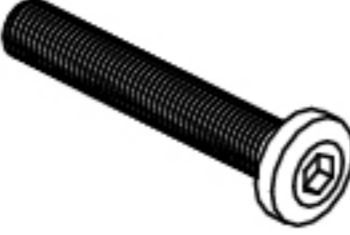
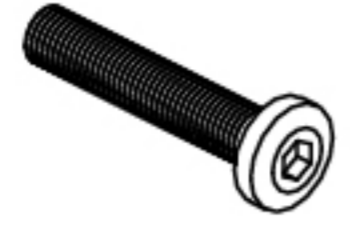
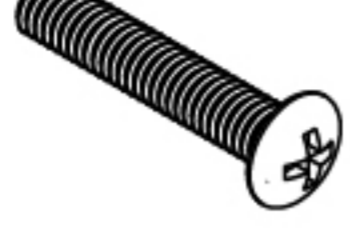


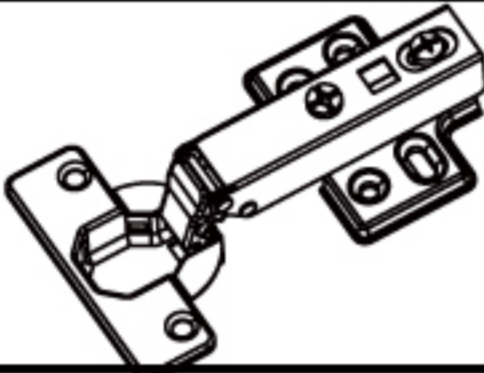
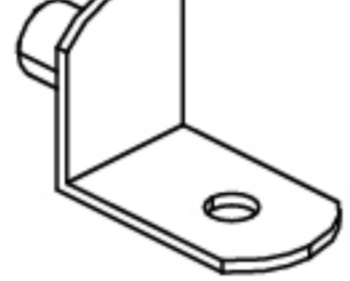
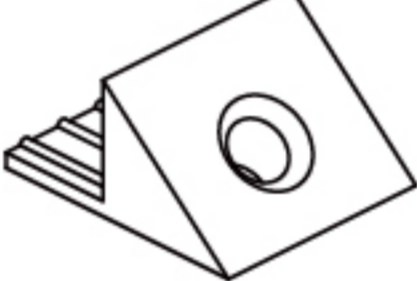


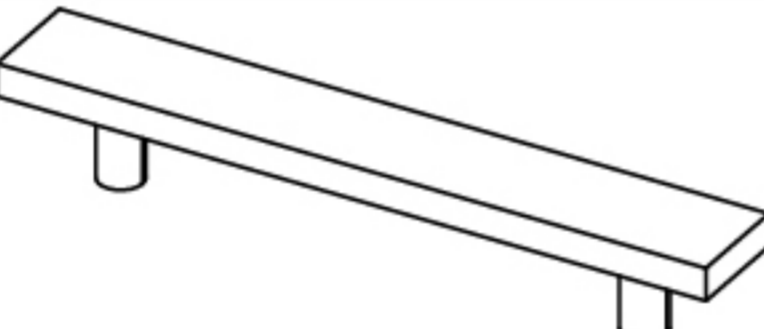
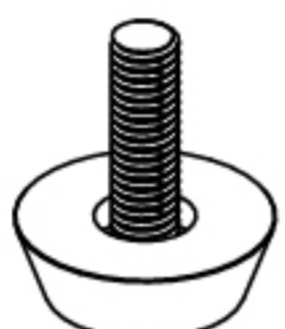
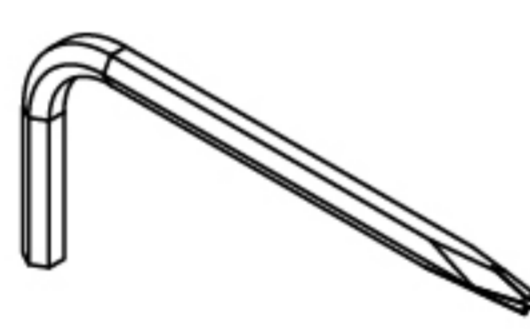
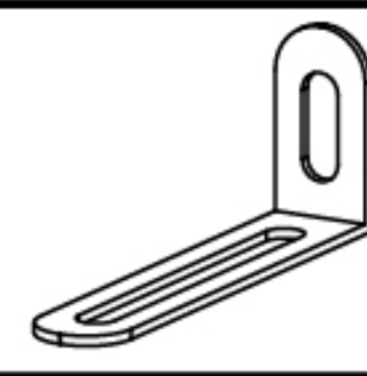
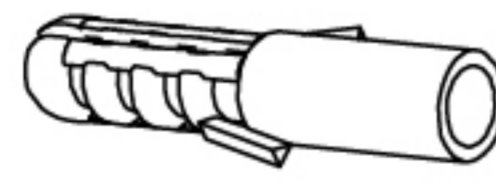


# CABINET



# Parts List

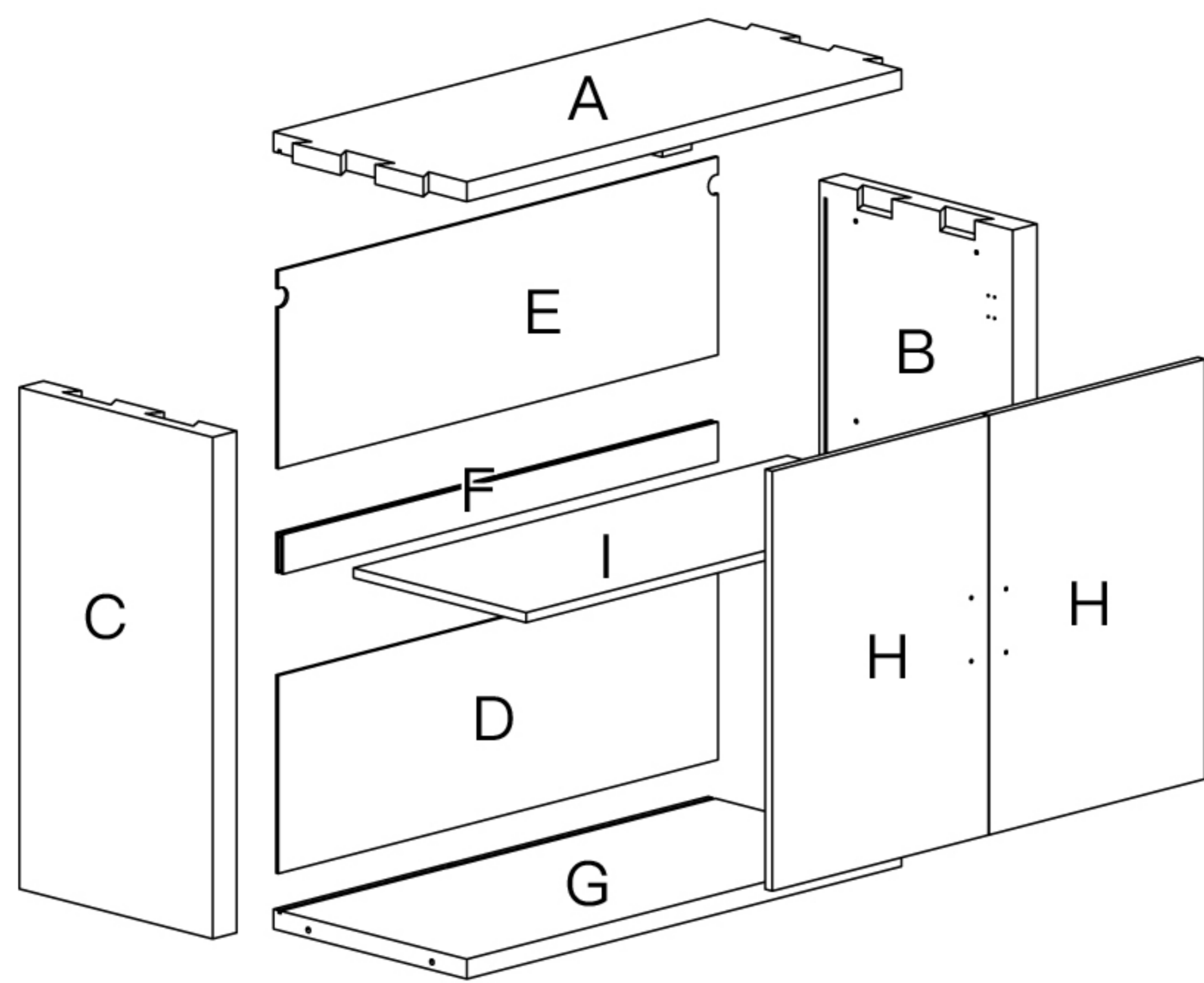
Label	Picture	Description	QTY
A		Top Panel	1
B		Right Side Board	1
C		Left Side Board	1
D		Lower Back Board	1
E		Upper Back Board	1
F		Slot	1
G		Bottom Panel	1
H		Door	2
I		Shelf Board	1

# Hardwares

Label	Picture	Description	QTY
①		Bolt (M8*35mm)	5
②		Bolt (M8*20mm)	9
③		Bolt (M6*25mm)	5
④		Flat Washer	13
⑤		Screw (M4*16mm)	25
⑥		Hydraulic Door Hinge	4
⑦		Shelf Support Pin	5
⑧		Backboard Buckle	8
⑨		Screw (M3*16mm)	9
⑩		Corner Bracket	2
⑪		Handle	2
⑫		Adjustable Leveling Glide	4
⑬		Screwdriver	1
<b>Tipover Restraint Device Hardware</b>			
⑭		Anti-tip Anchoring Strap	2
⑮		Expansion Plug	2
⑯		Long Screw (M4*35mm)	3
⑰		Short Screw (M4*12mm)	3

# Assembly Preparation

Before Beginning Assembly:



①		x5	⑨		x9	⑰		x3
②		x9	⑩		x2			
③		x5	⑪		x2			
④		x13	⑫		x4			
⑤		x25	⑬		x1			
⑥		x4	⑭		x2			
⑦		x8	⑮		x2			
⑧		x8	⑯		x3			



- Read instructions, cover to cover-



- Have 2 adults on hand for assembly-



- Do not assemble on flooring or carpet-



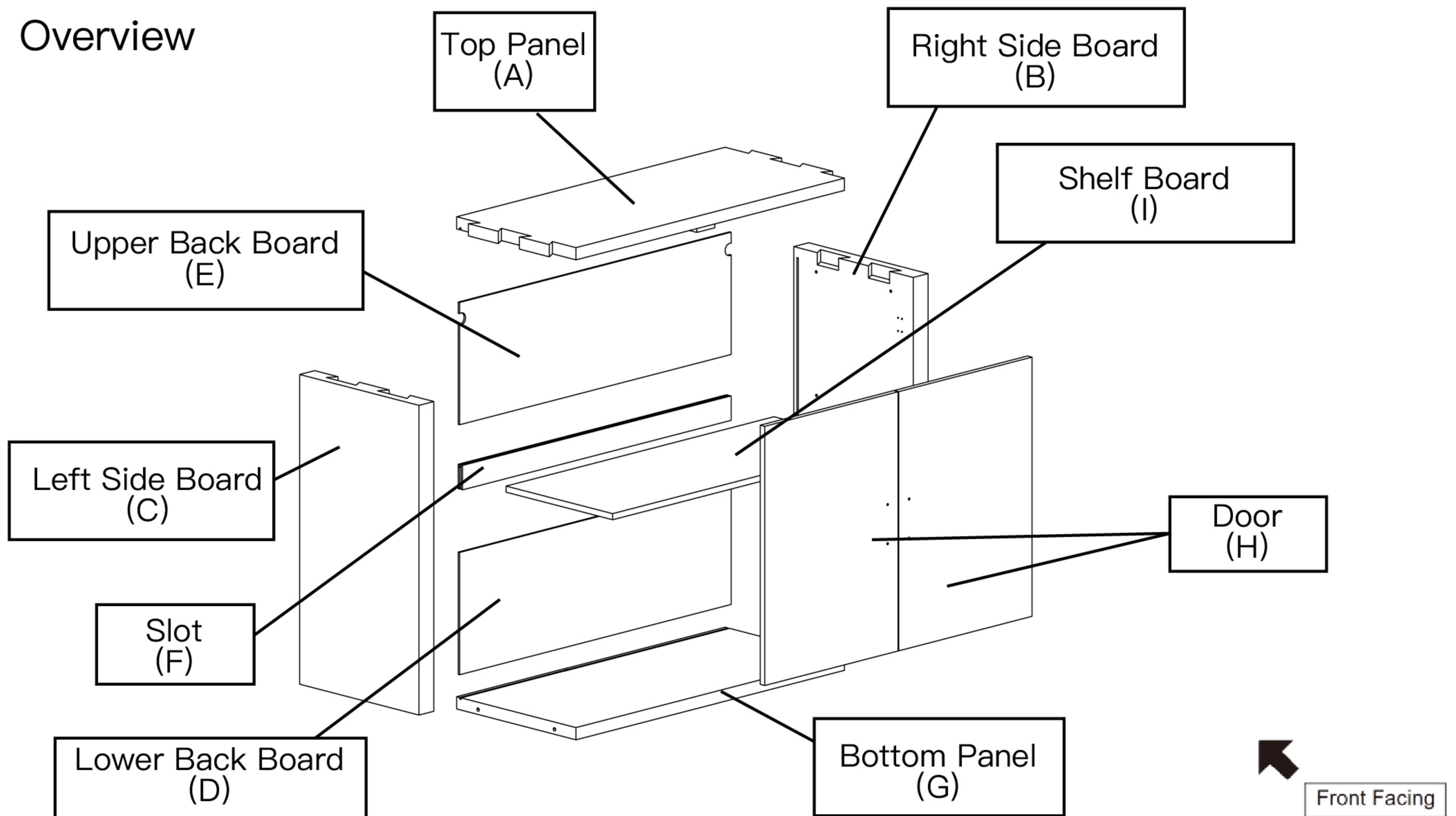
- Assemble on a clean non-marring surface (packing foam)-



- Save all packaging until finished-

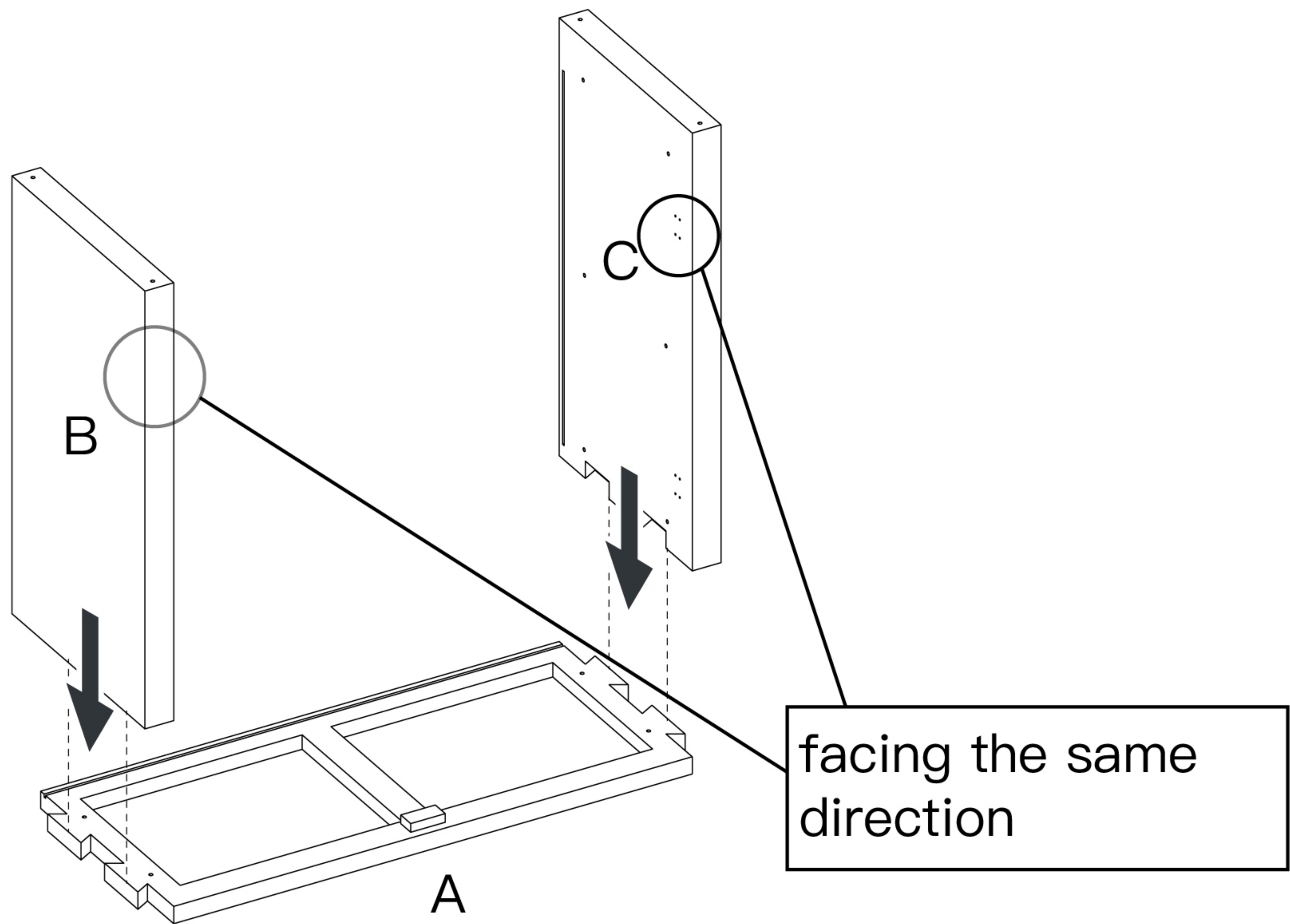
# Assembly Steps

Overview



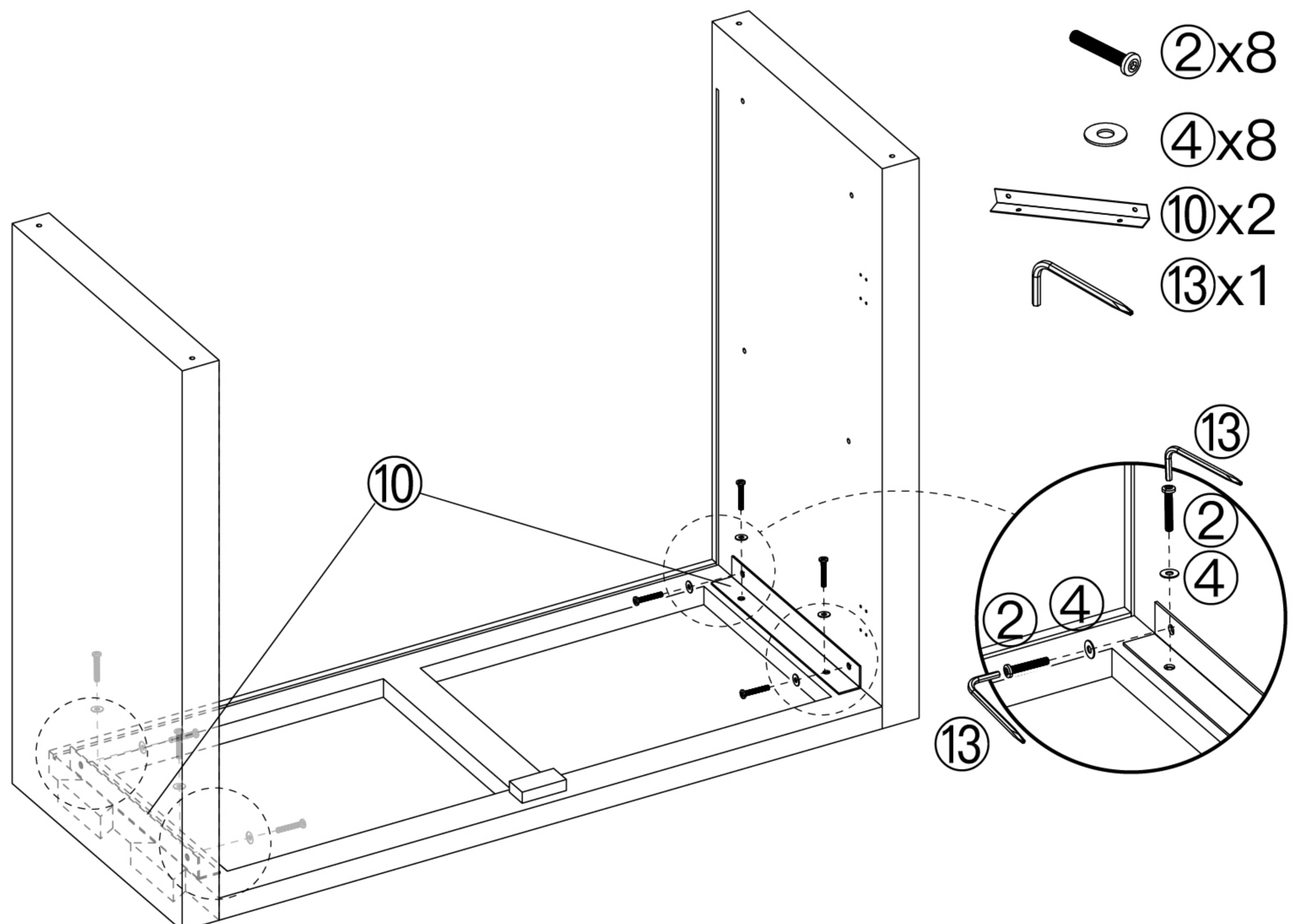
This cabinet has multiple parts and may require up to some 45 minutes to assemble. To give you an overview of the cabinet parts, the above picture is to help you put the various parts into perspective. Please read through the instructions below to familiarise yourself with the parts and steps before assembly.

## Step 1



Align right side board (B)、left side board(C) to top panel(A).  
ATTENTION: All the grooves must be stay in the same side  
(backside)

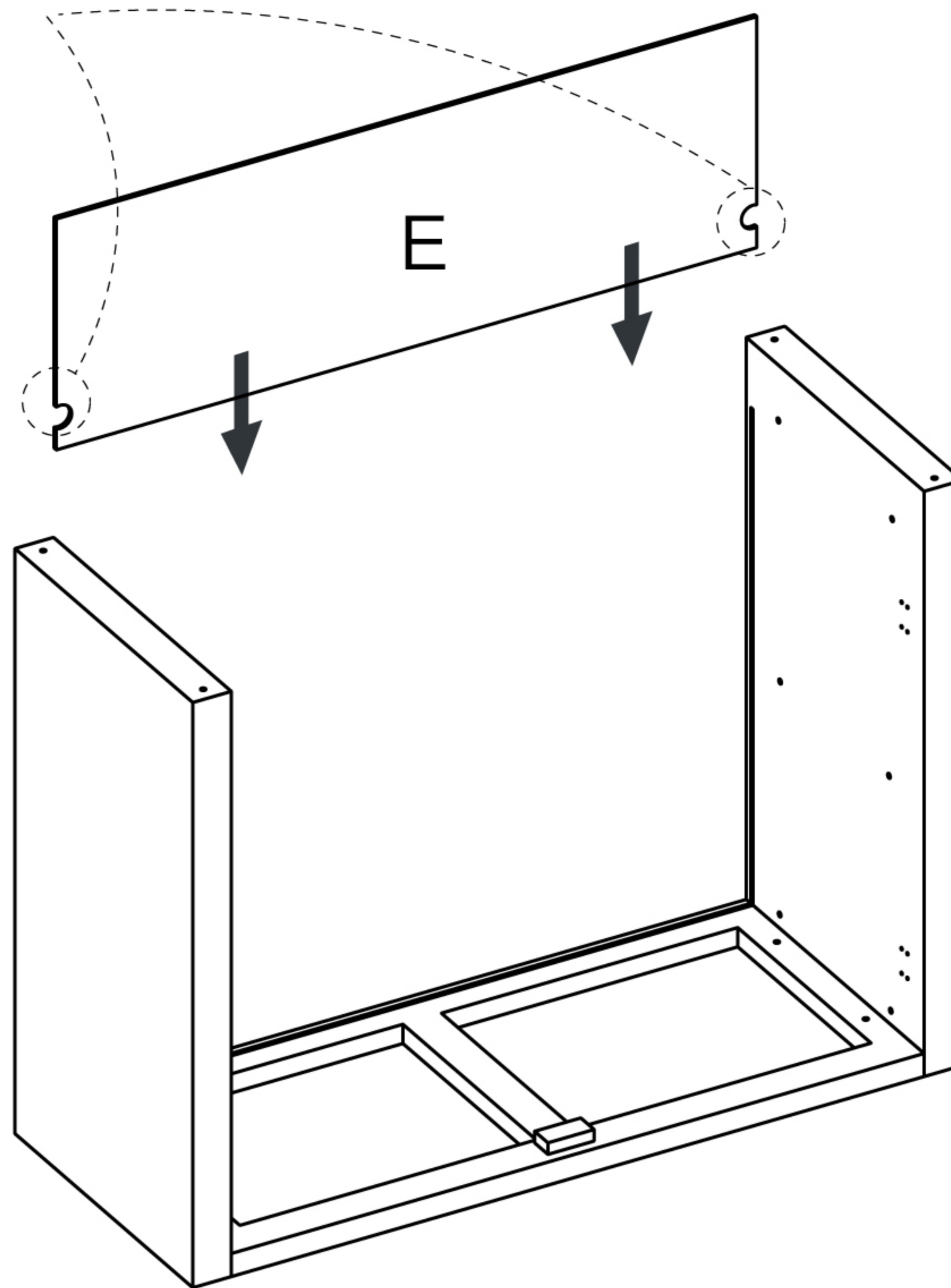
## Step 2



Attach right side board(B)、left side board(C) to top panel(A)  
with corner bracket(⑩)、bolt(②) and flat washer(④). Attention:  
Don' t tighten up until the step 3 and step 4 done.

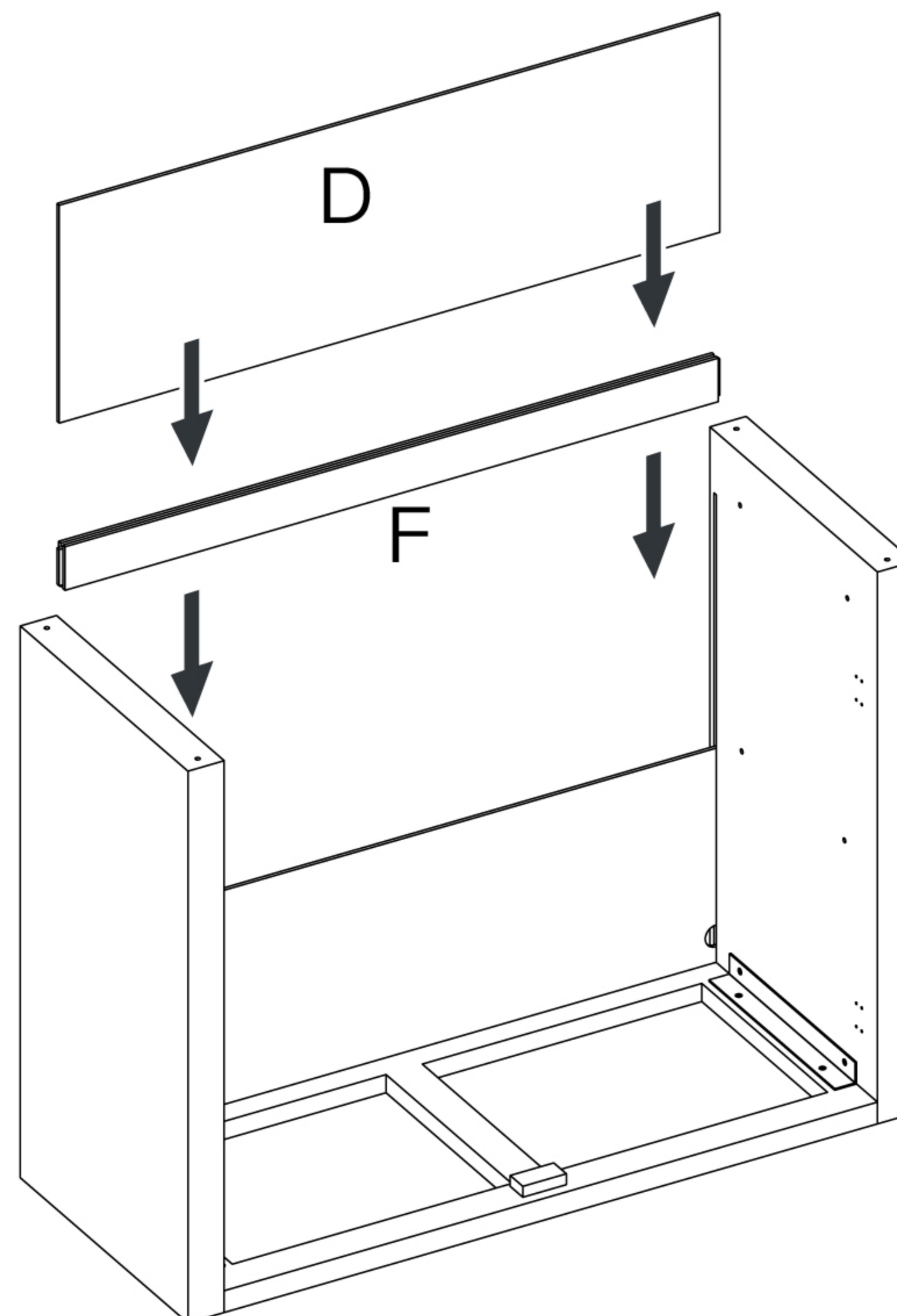
### Step 3

Notch facing down



Insert upper back board (E) to the grooves. ATTENTION: Notch facing down.

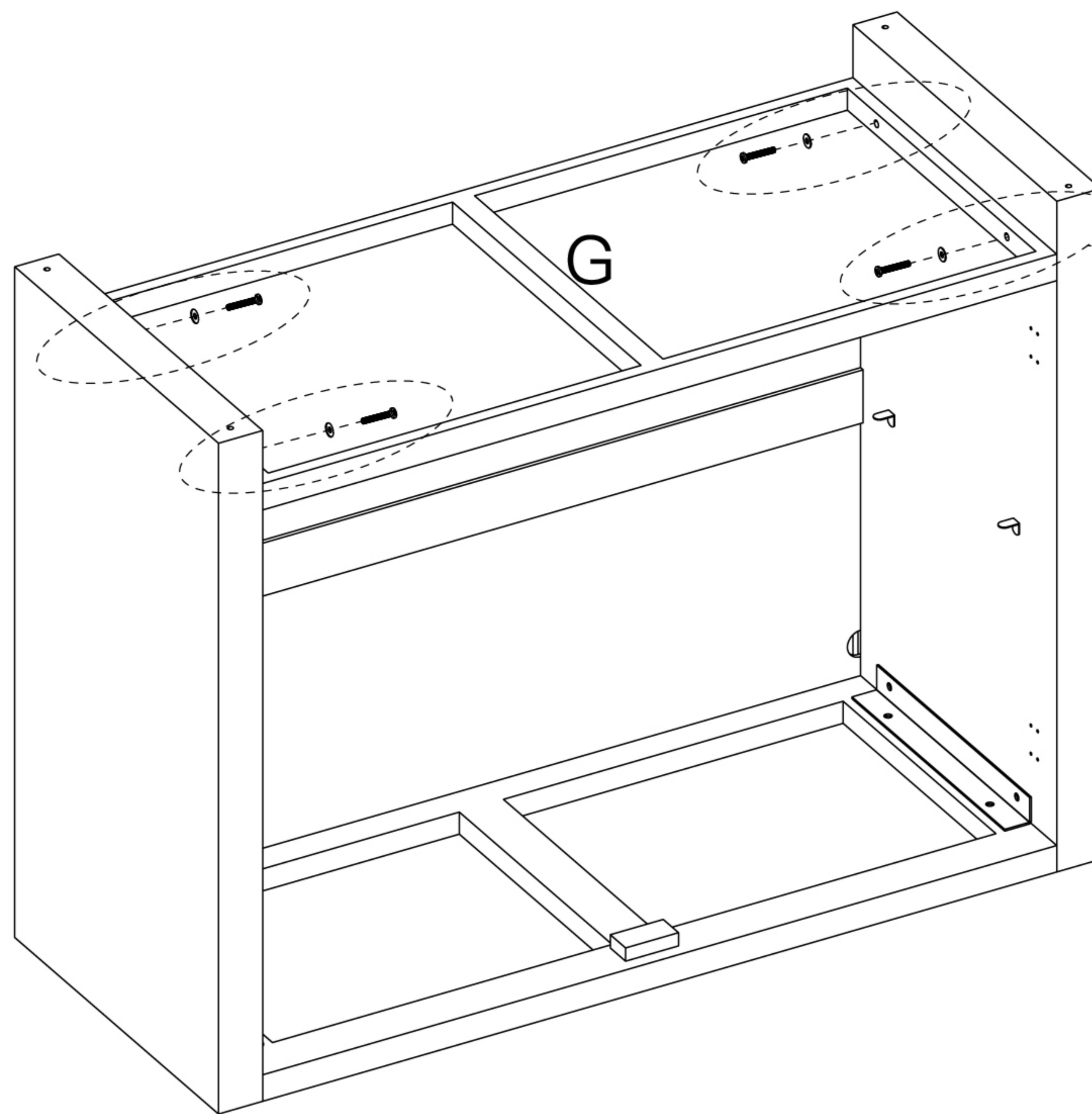
### Step 4



Insert the slot (F) and lower back board (D) to the grooves.



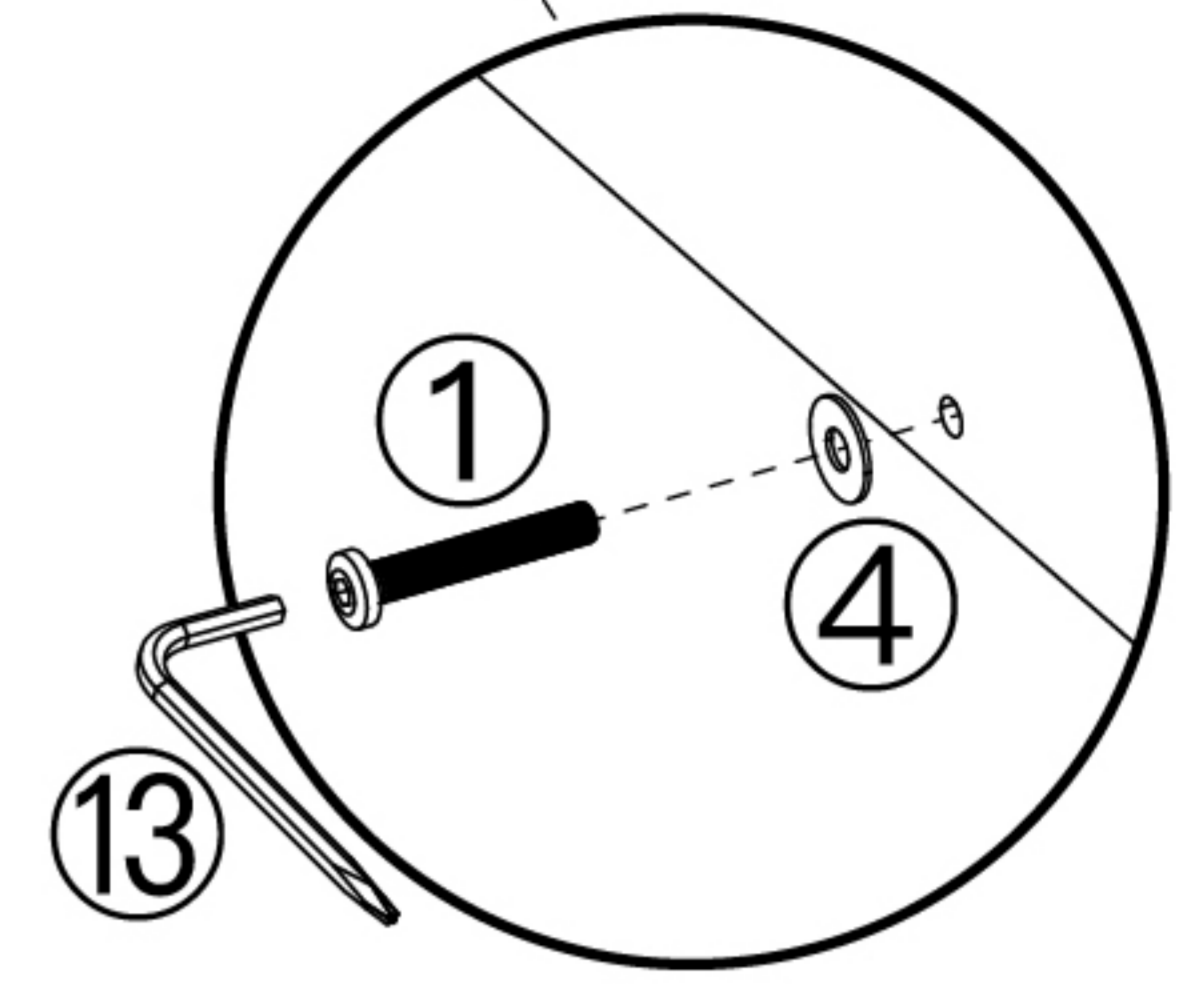
## Step 5



①x4

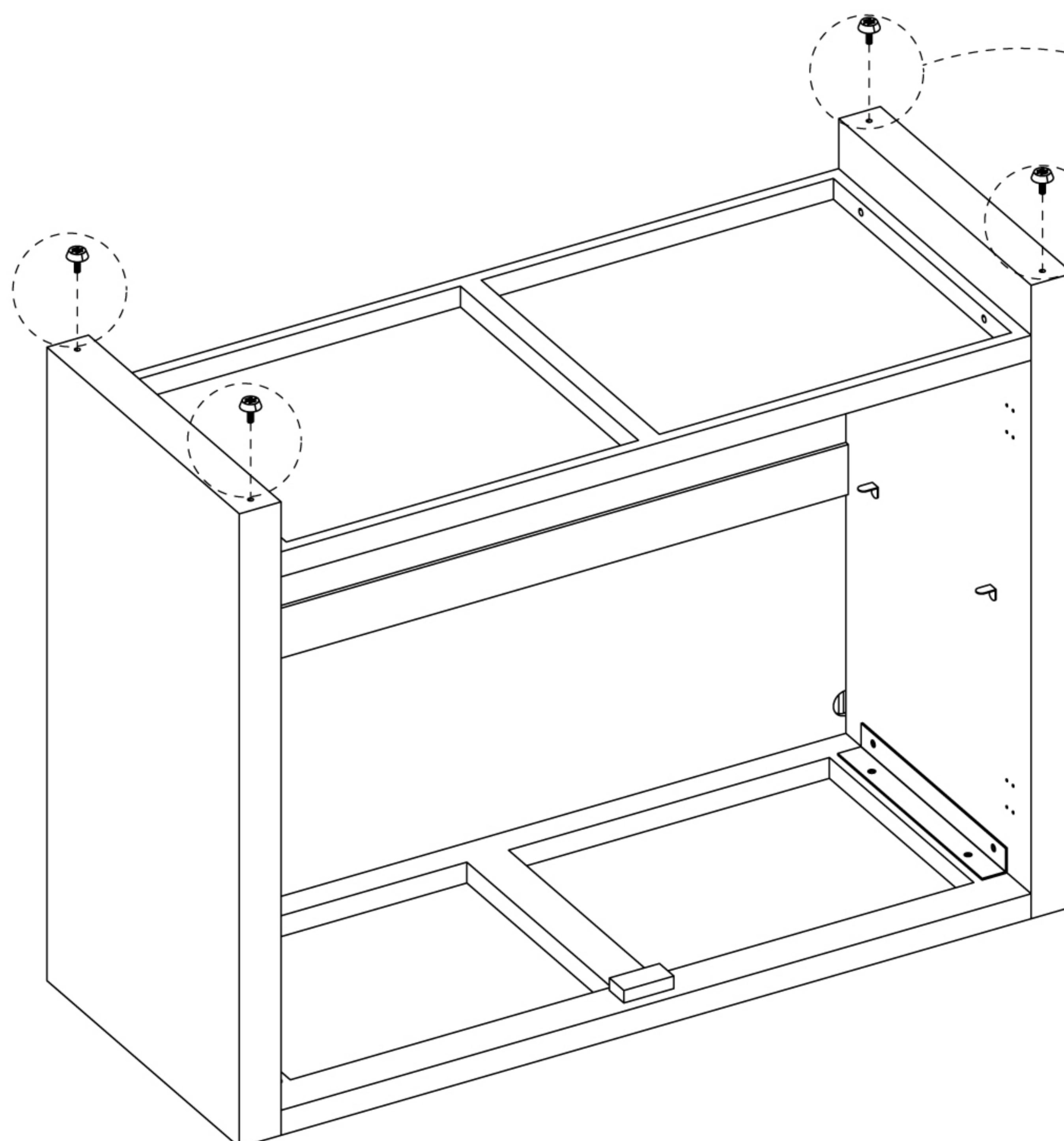
④x4

⑬x1

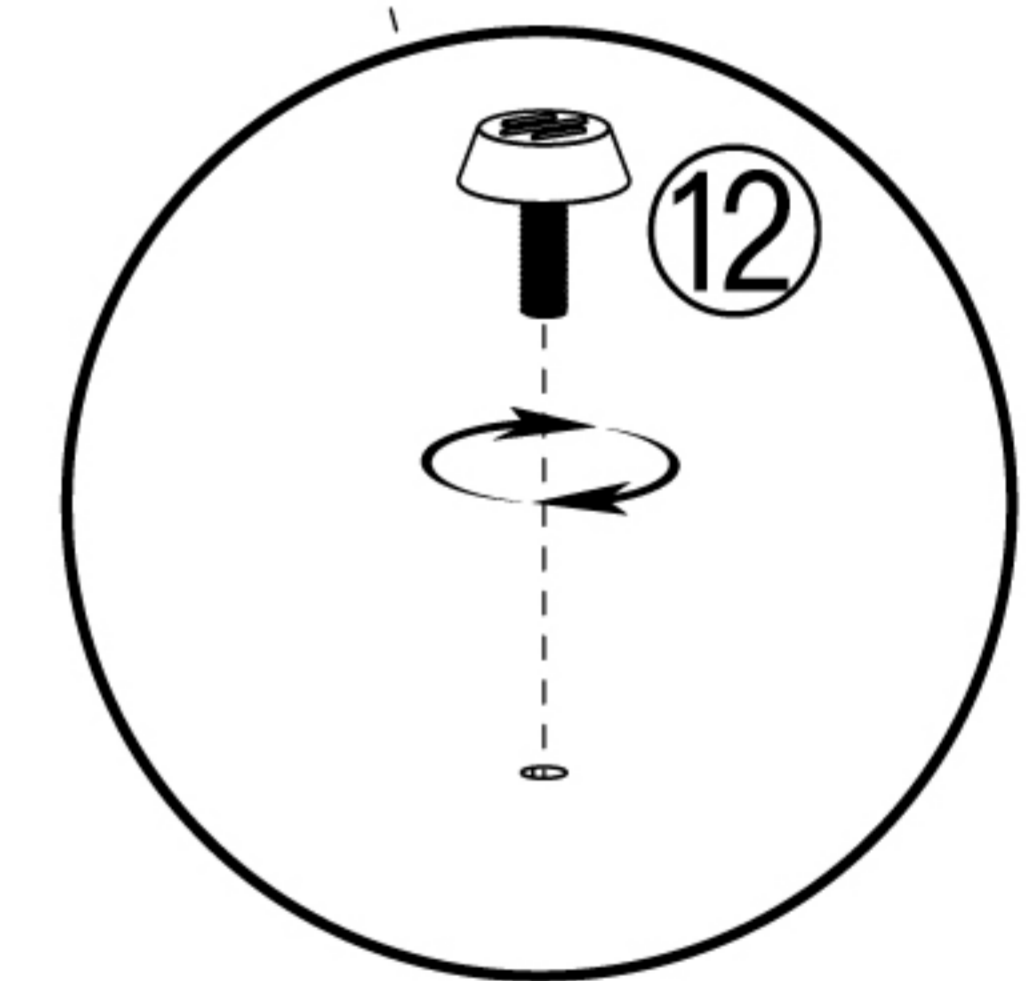


Attach bottom panel(G) to right side board (B)、left side board (C)with bolt(①) and flat washer(④). Attention: Need to tighten up the bolt.

## Step 6



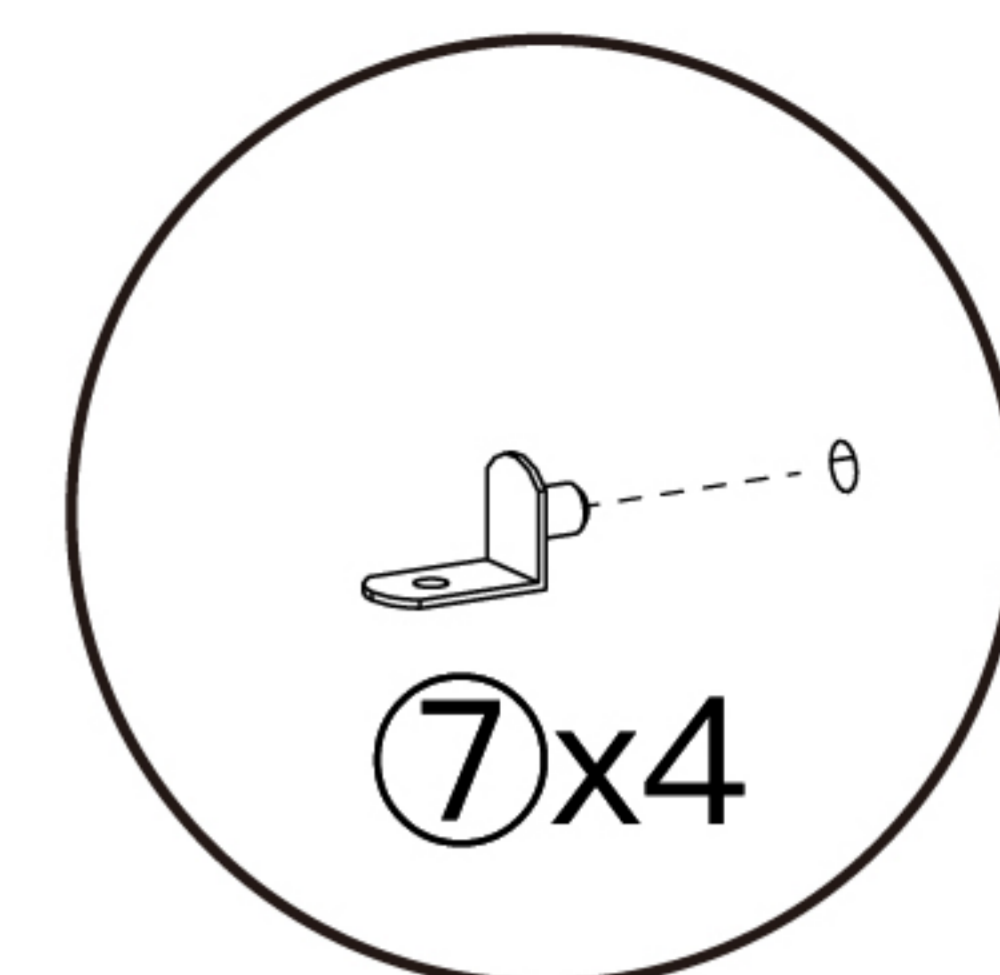
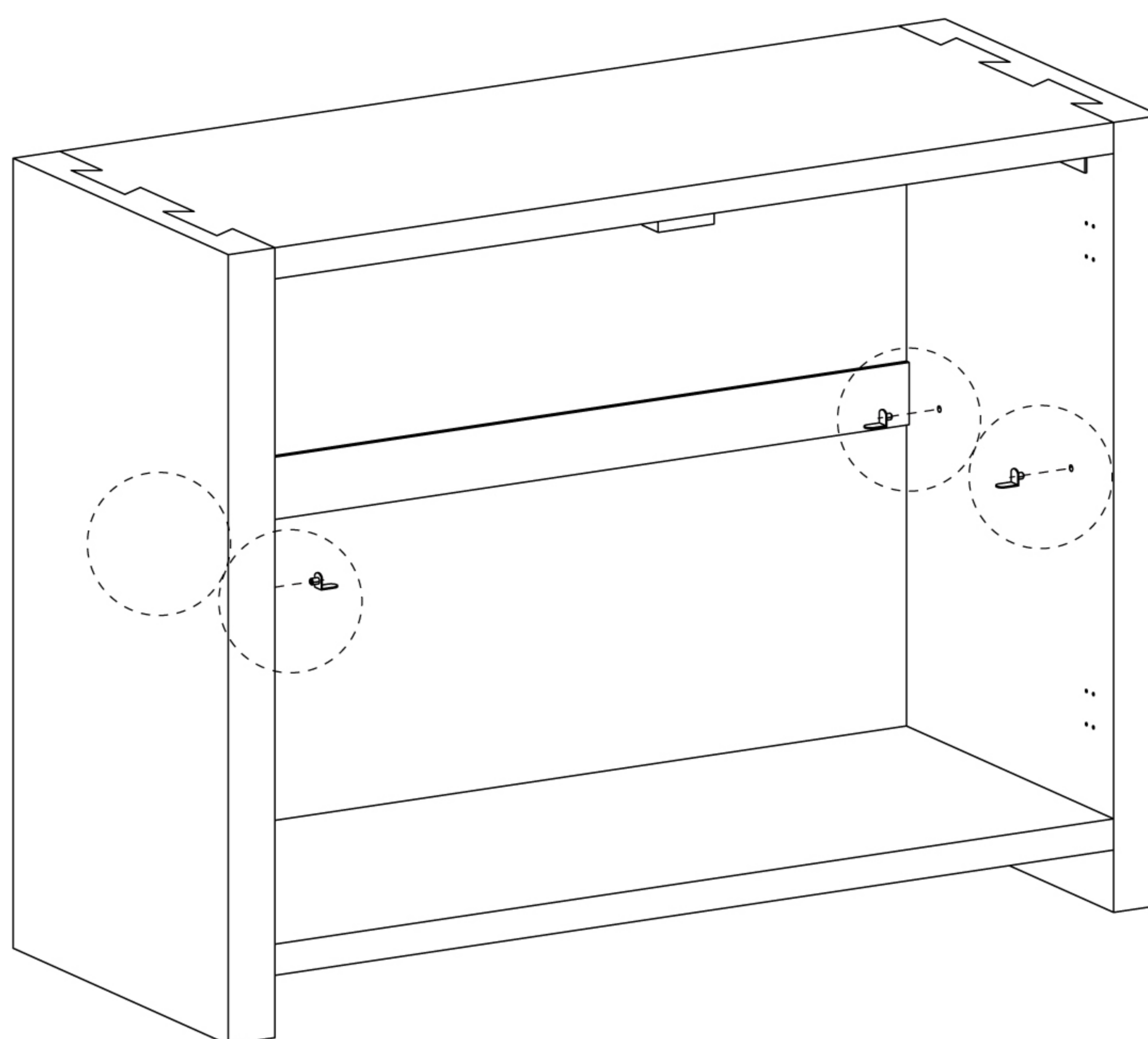
⑫x4



Screw adjustable leveling glide(⑫) to left side board(C) and right side board(B).

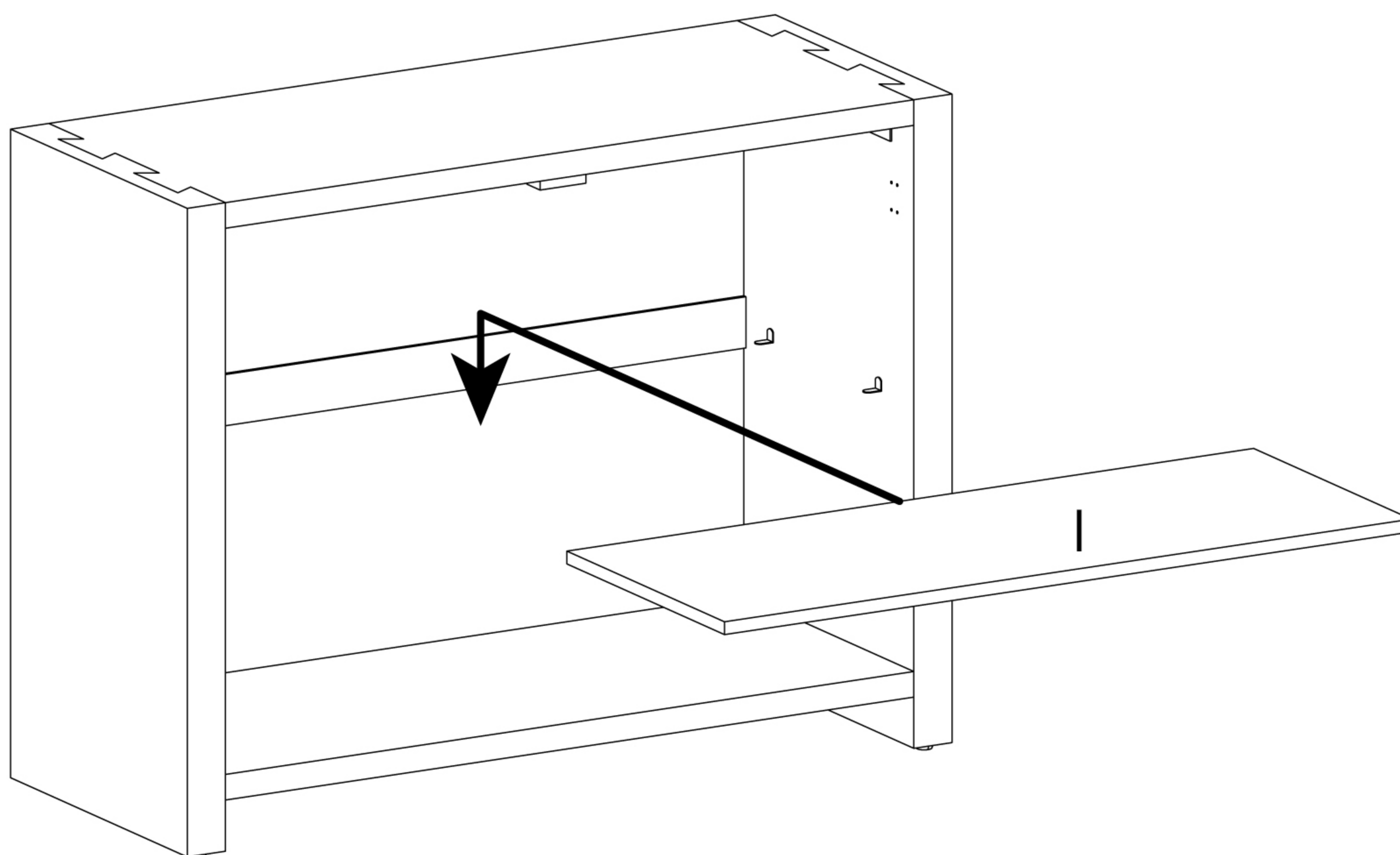
## Step 7

 ⑦x4



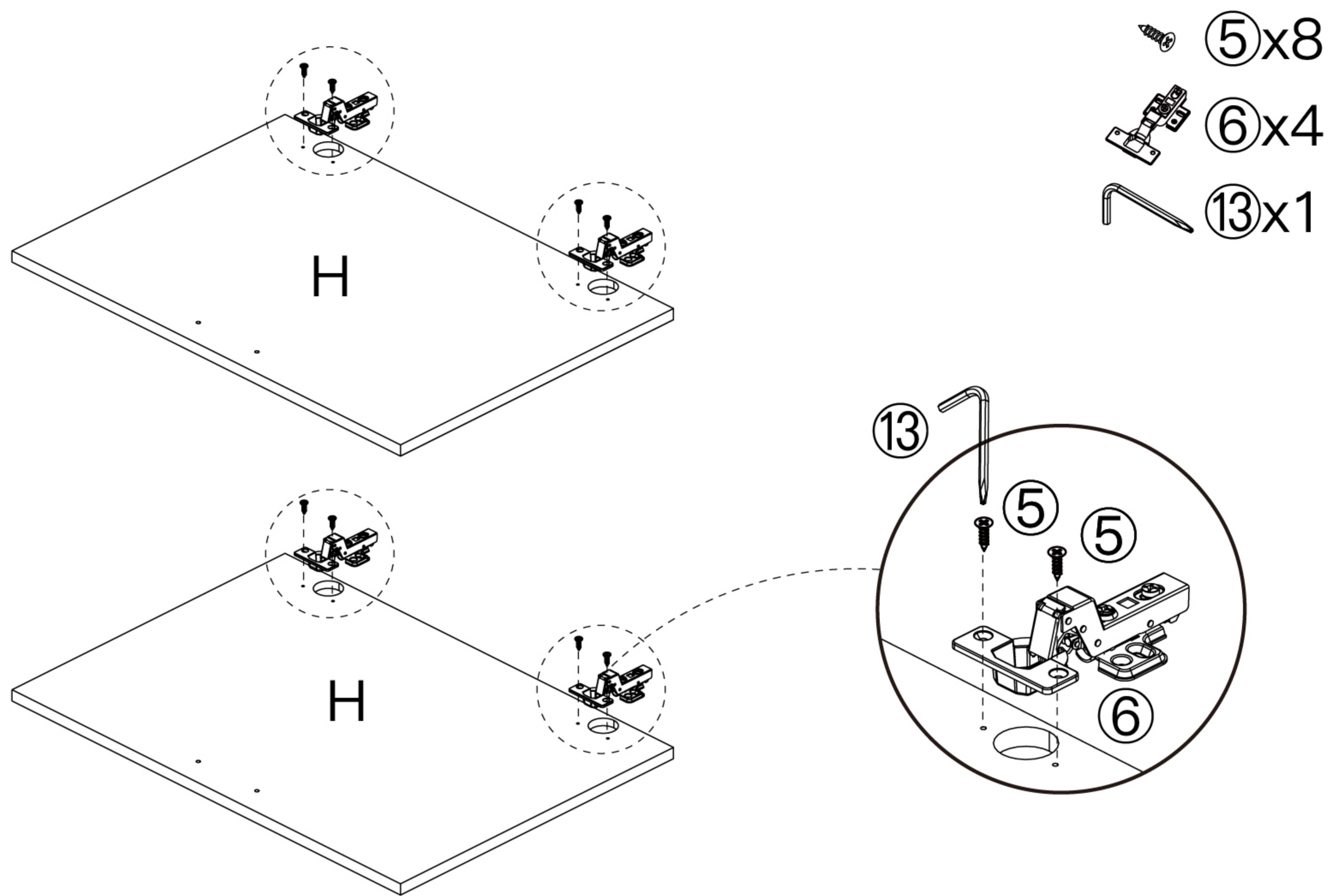
Stand the mounted cabinet up, and insert shelf support pin(⑦) into each panel hole.

## Step 8



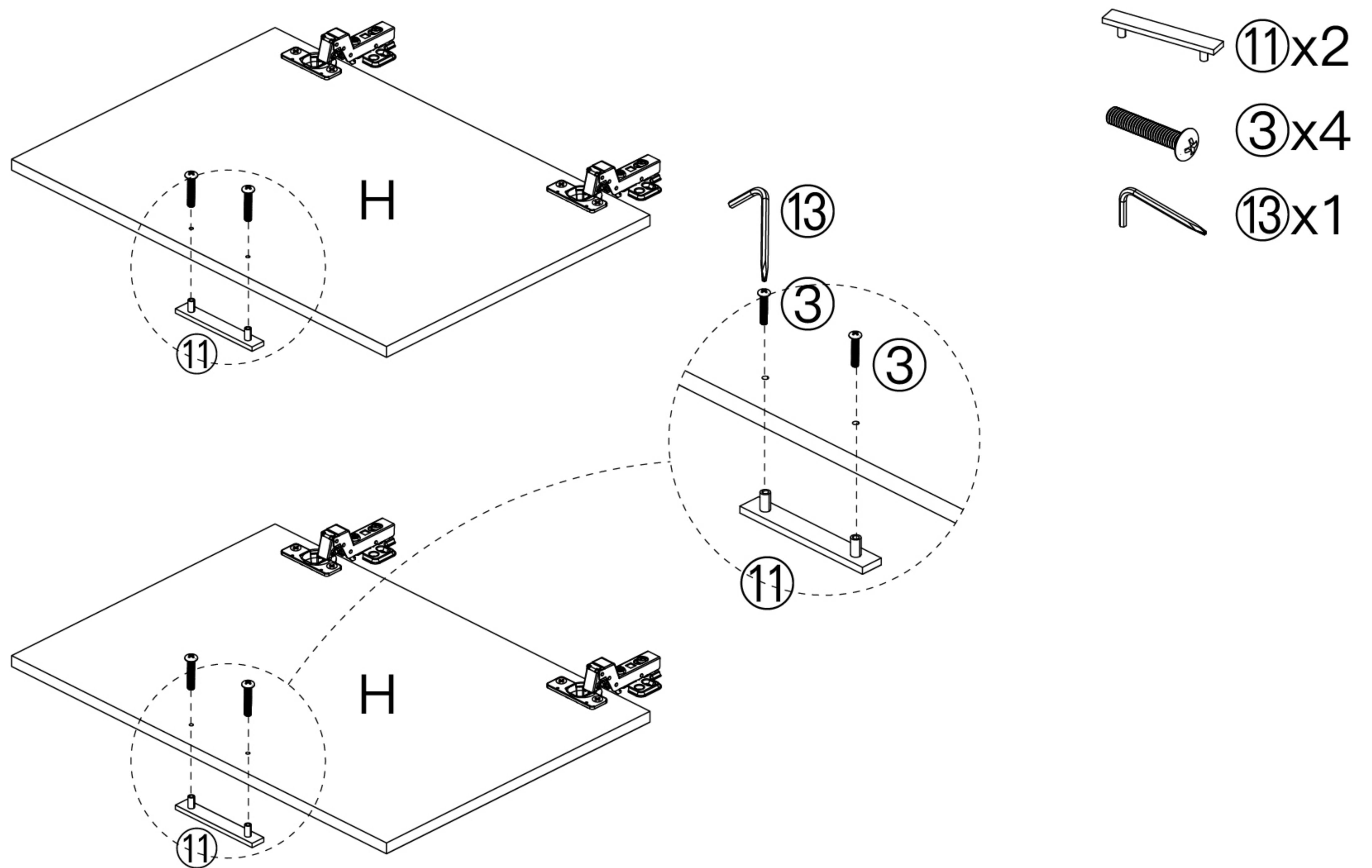
Put the Shelf Board(I) on the shelf support pin(⑦)

## Step 9



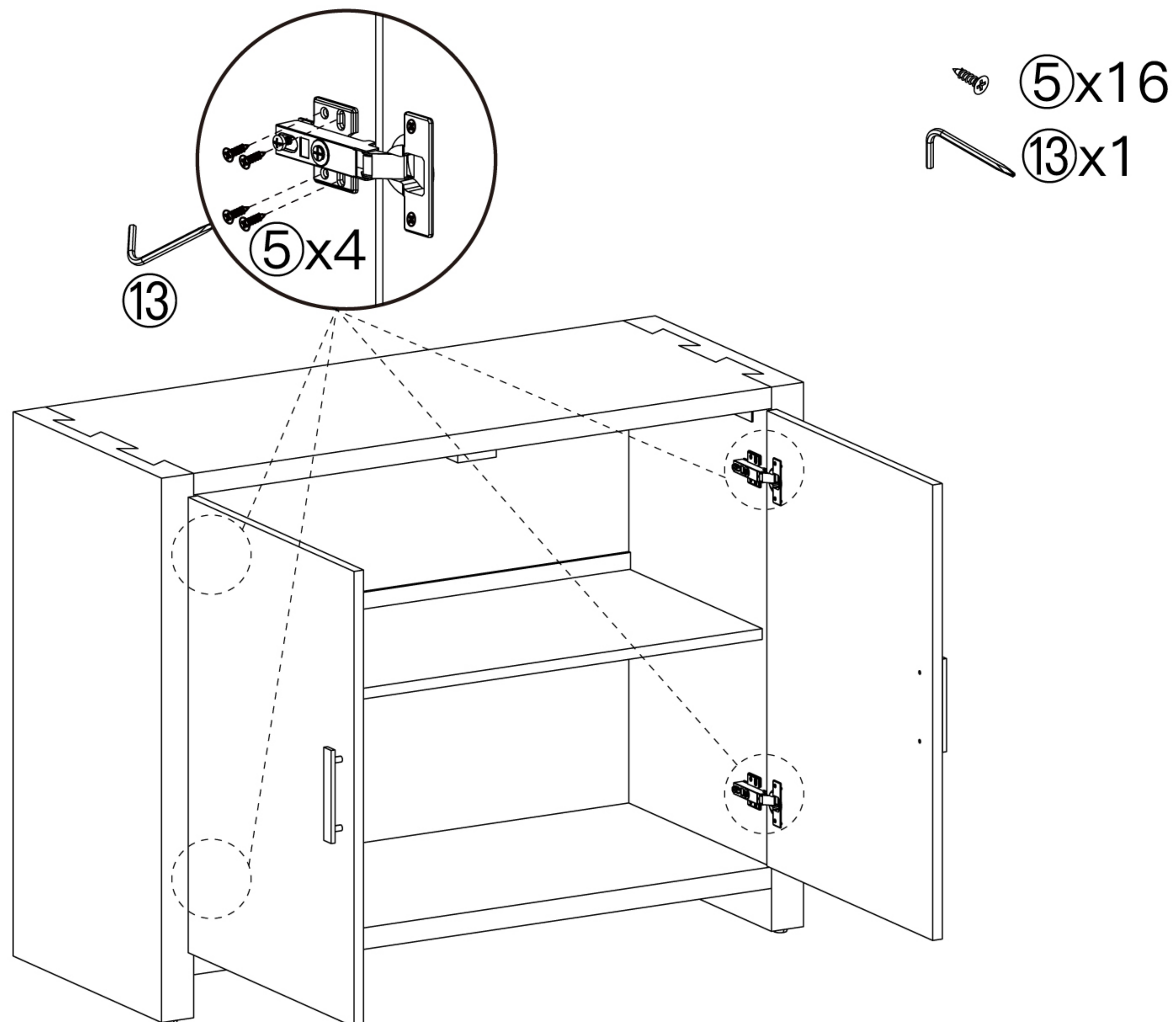
Install the hydraulic door hinge(⑥) to door (H) with screw( ⑤).

## Step 10



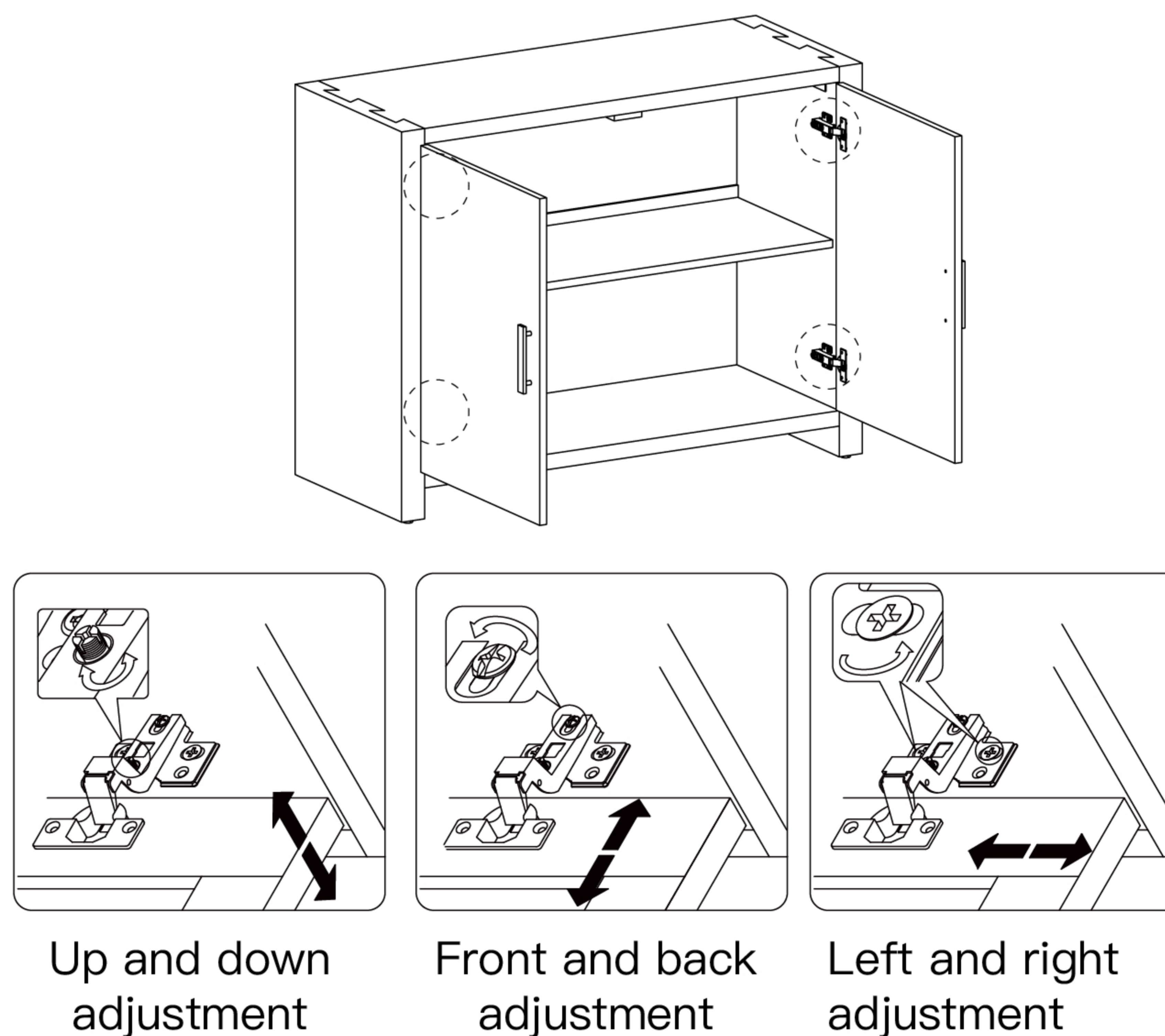
Install handle (⑪) to door (H) with screw(③).

## Step 11



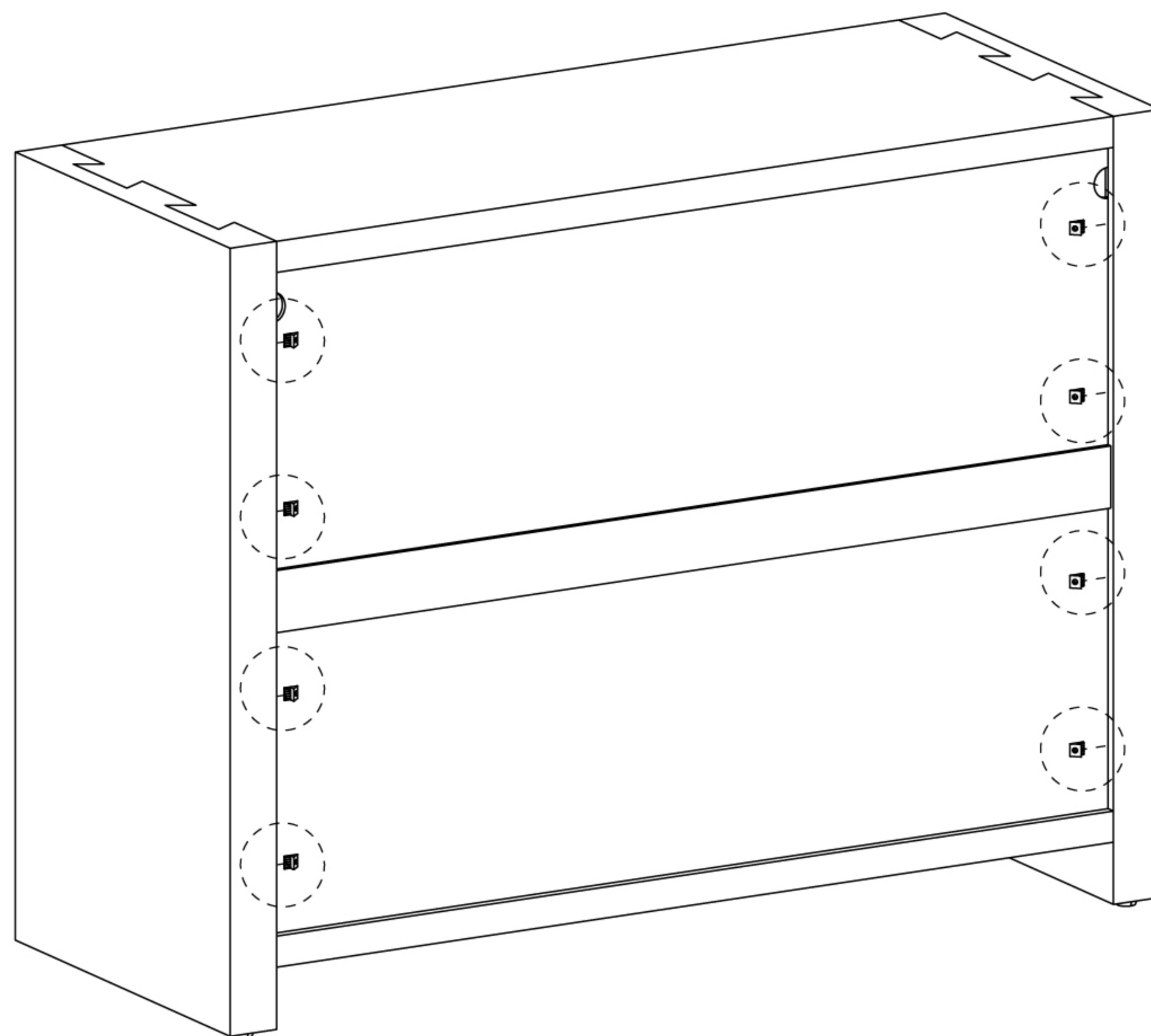
Attach door(H) to right side board(B)、left side board(C) with screw (⑤).

## Step 12



Adjust the hydraulic door hinge(⑥)to make sure the doors in the same level.

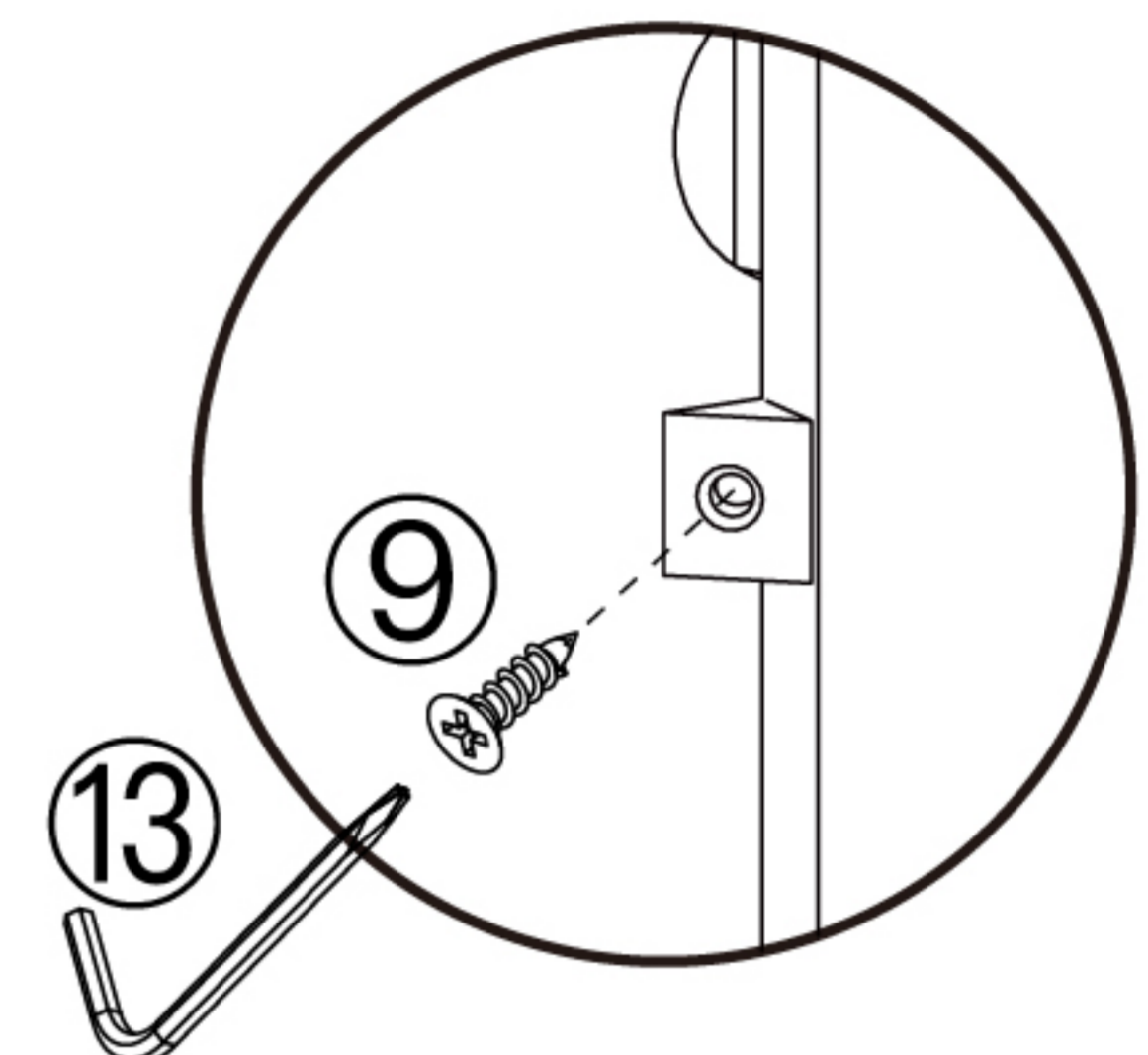
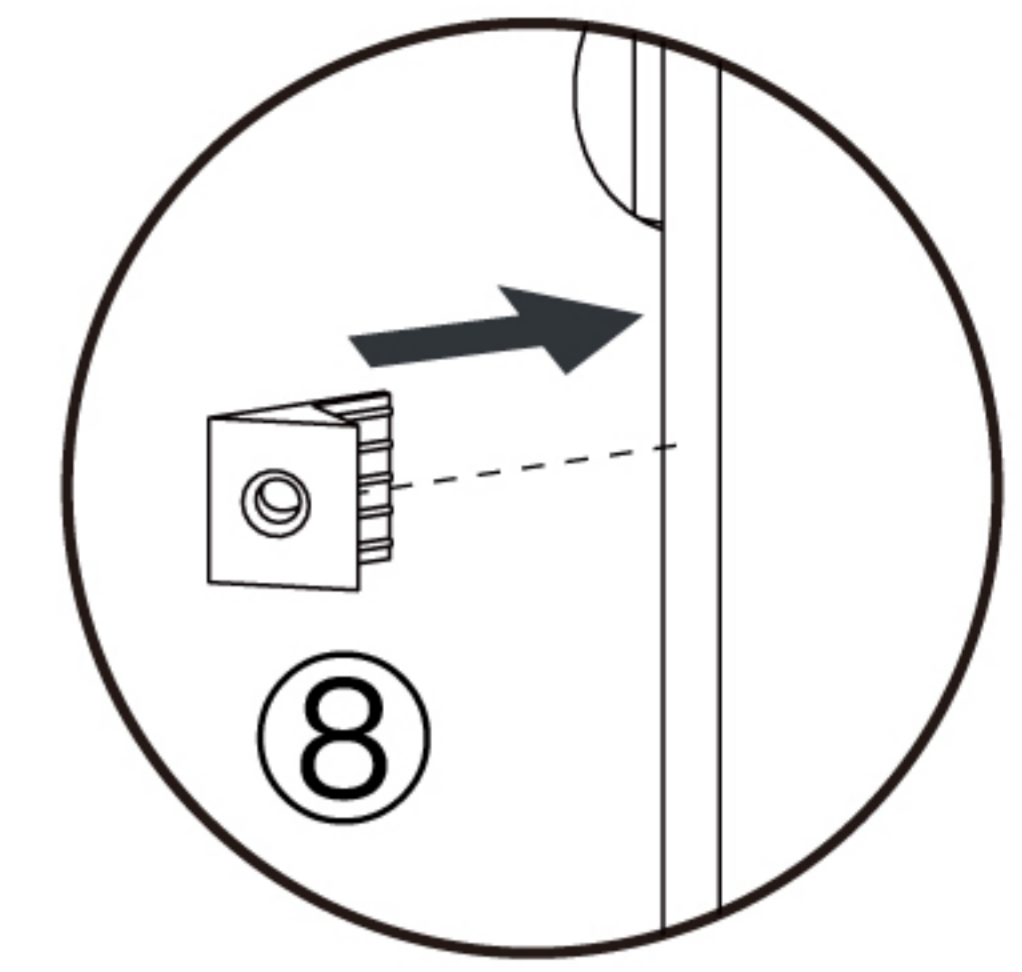
## Step 13



⑧x8

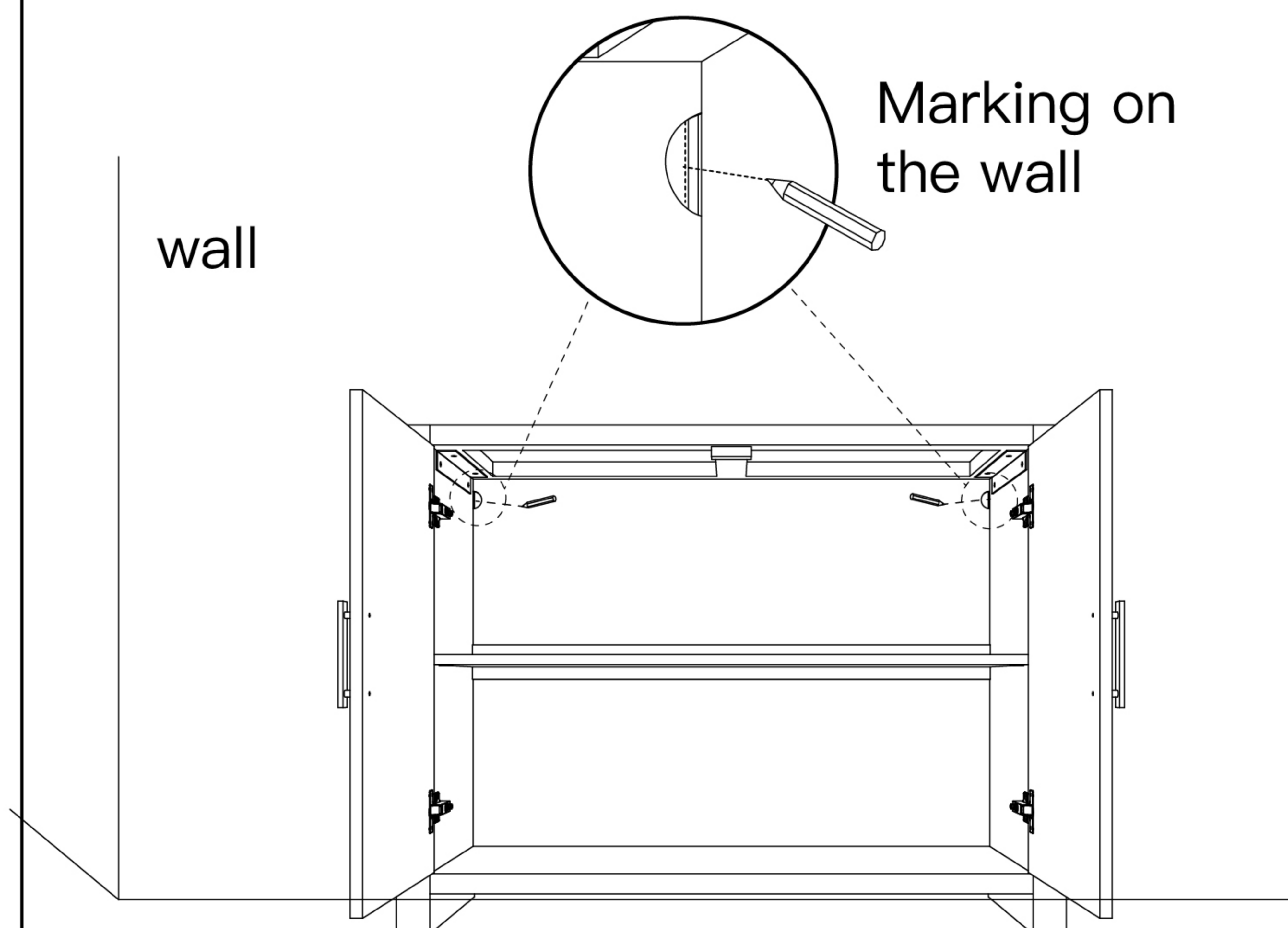
⑨x8

⑬x1



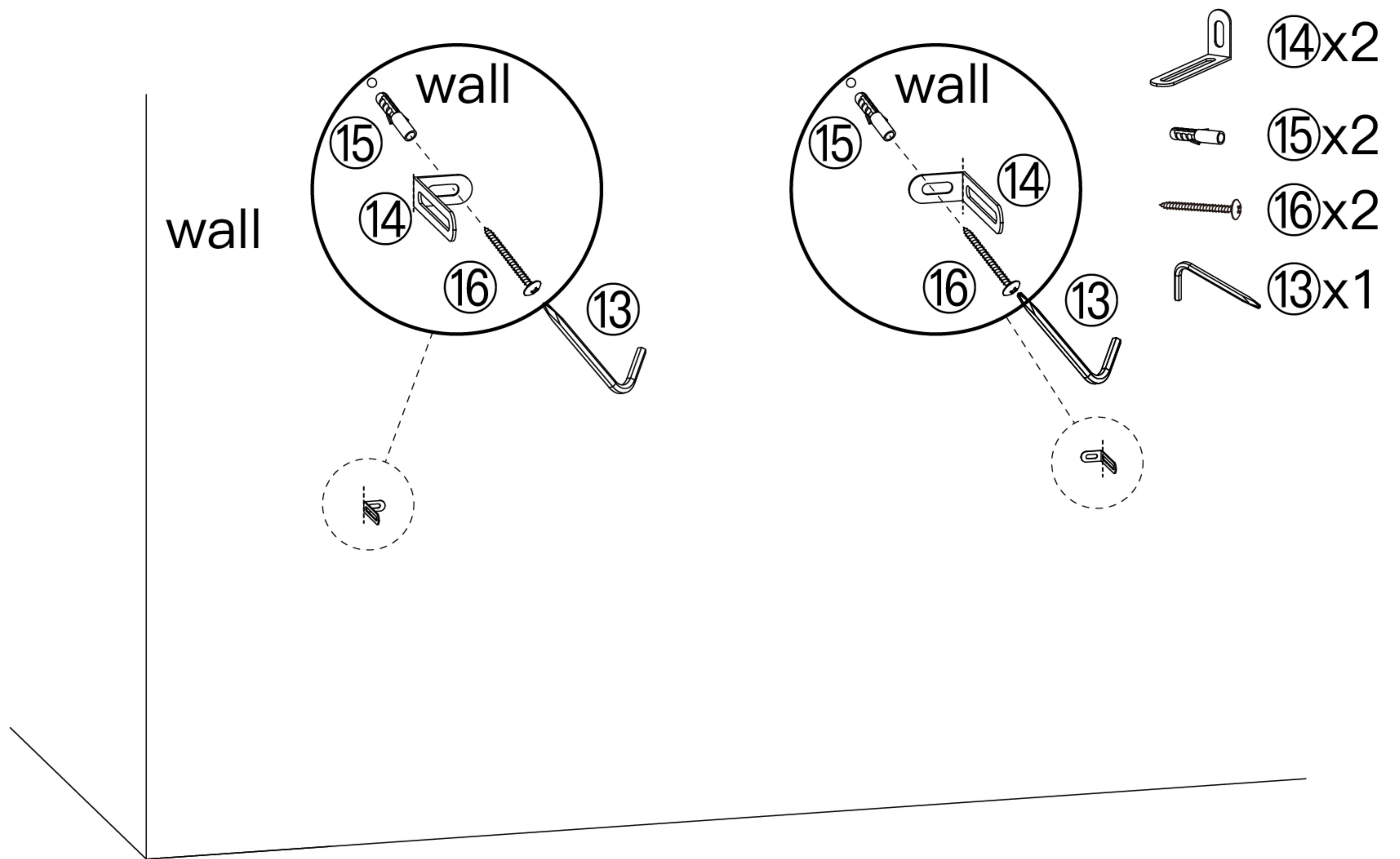
Insert backboard buckle (⑧) along the backboard and fix with screw(⑨).

## Step 14



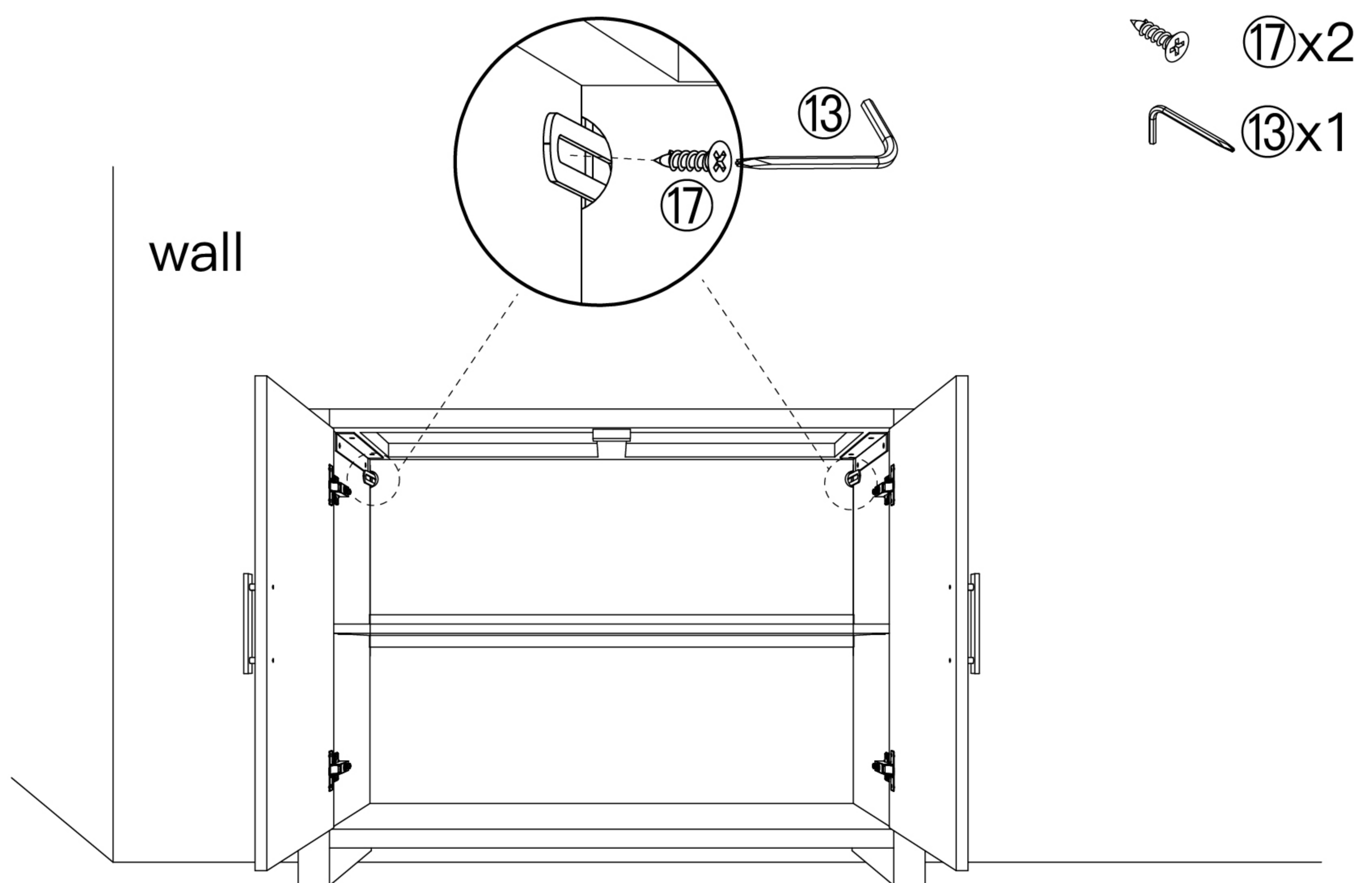
Place the cabinet against the wall. Mark the positions for the expansion screws on the wall.

## Step 15



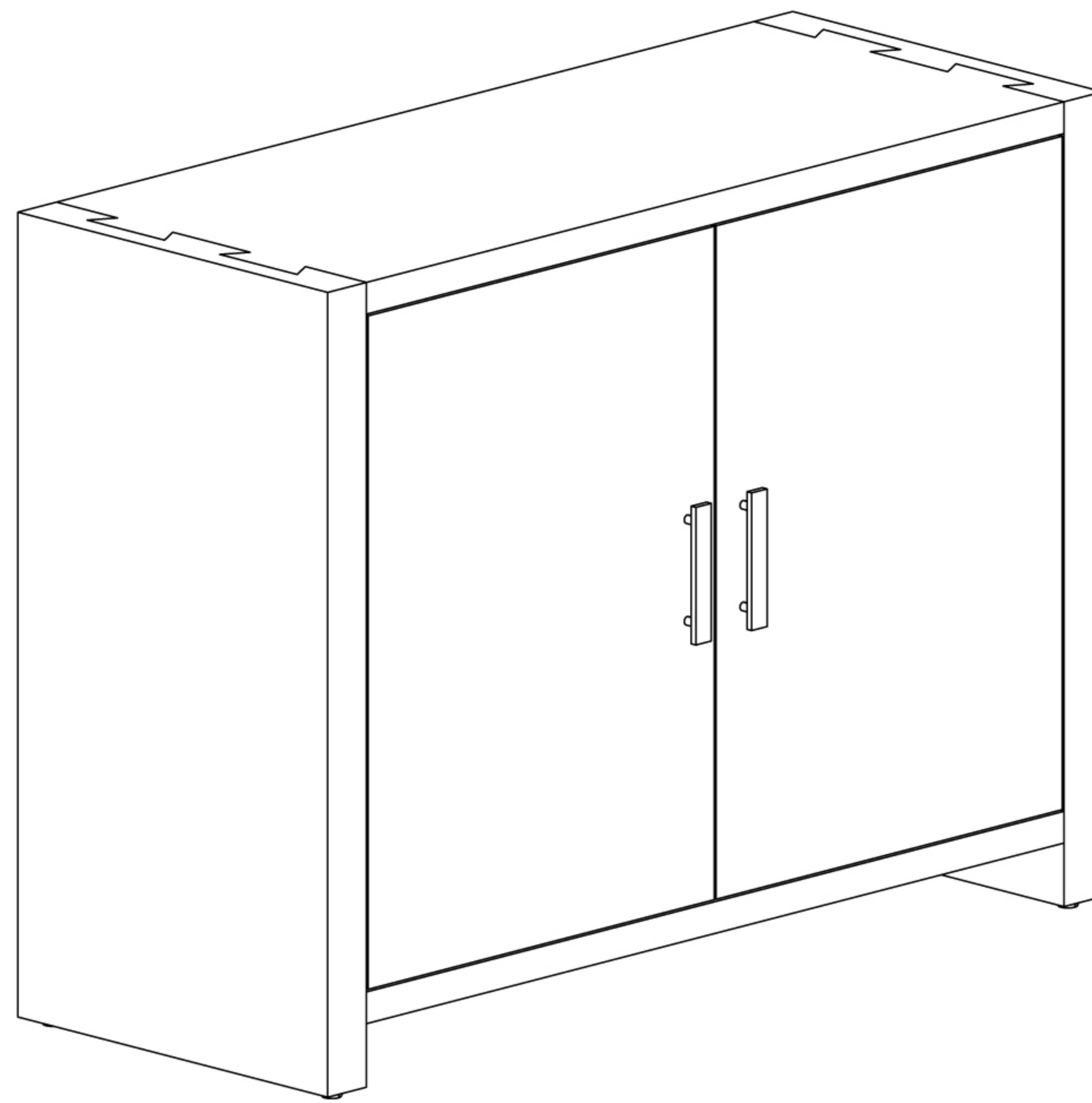
Drill holes on the wall in marking position, insert expansion plugs(15) into the holes, align with the expansion plugs (15) ,install the short side of Anti-Tip anchoring strap (14) with long screw(16).

## Step 16



Attach the long side of Anti-Tip anchoring strap (14) to the right side board(B) & left side board(C) with short screw(17).

## Step 17



The cabinet is ready to use.

## ”Questions & Answers about Proposition 65

- What is Proposition 65?

Proposition 65 requires businesses to provide warnings to Californians about significant exposures to chemicals that cause cancer, birth defects or other reproductive harm. These chemicals can be in the products that Californians purchase, in their homes or workplaces, or that are released into the environment. By requiring that this information be provided, Proposition 65 enables Californians to make informed decisions about their exposures to these chemicals.

Proposition 65 also prohibits California businesses from knowingly discharging significant amounts of listed chemicals into sources of drinking water.

Proposition 65 requires California to publish a list of chemicals known to cause cancer, birth defects or other reproductive harm. This list, which must be updated at least once a year, has grown to include approximately 900 chemicals since it was first published in 1987.

- What types of chemicals are on the Proposition 65 list?

The list contains a wide range of naturally occurring and synthetic chemicals that include additives or ingredients in pesticides, common household products, food, drugs, dyes, or solvents. Listed chemicals may also be used in manufacturing and construction, or they may be byproducts of chemical processes, such as motor vehicle exhaust. ”