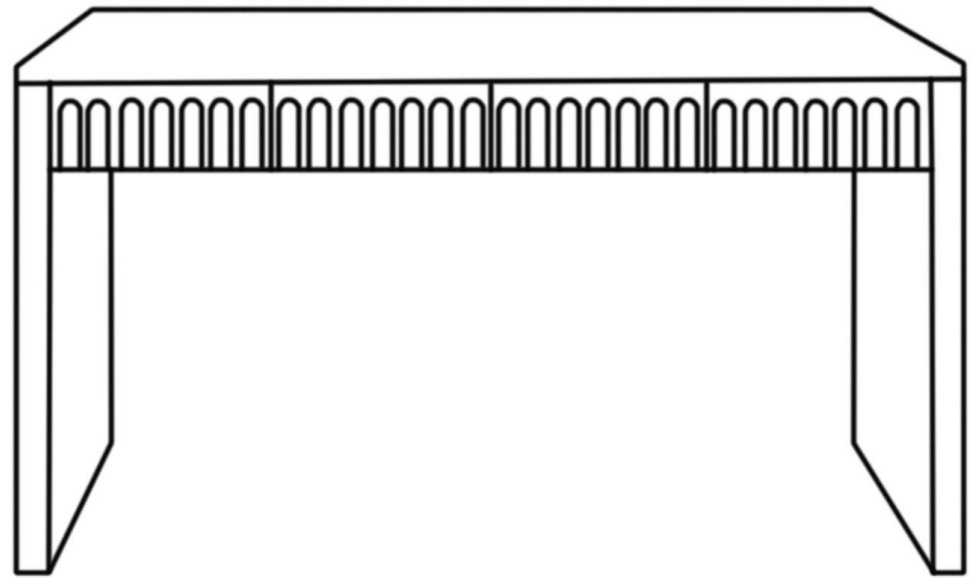
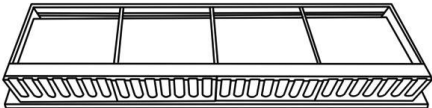
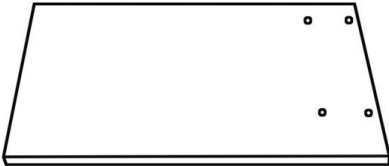
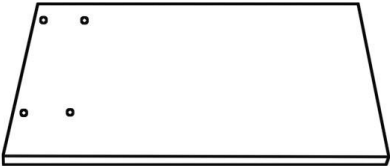





Assembly Instructions



Part List

| | |
|--|--|
|  ①X1 |  ②X1 |
|  ③X1 |  ④X8 |
|  ⑤X8 |  ⑥X1 |

Only 1 step

