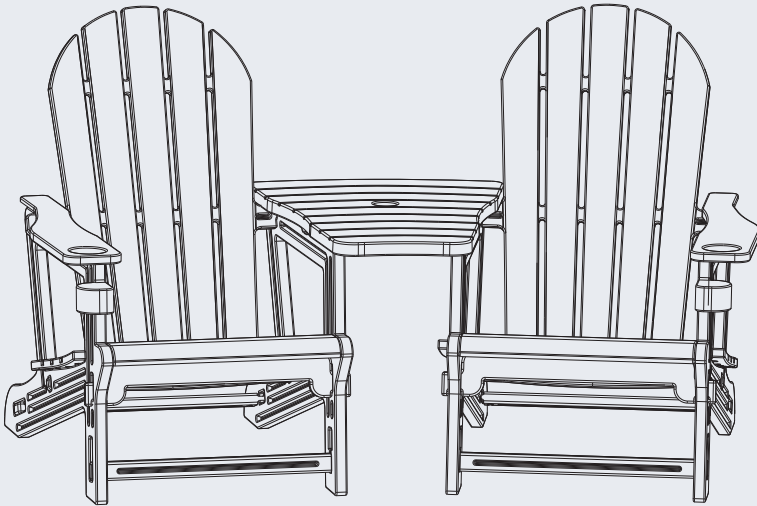


INSTRUCTION MANUAL



Outdoor Poly Adirondack Chair Set
with Connecting Tray & Cup Holder

V1.0

! CARE & MAINTENANCE

Please keep this instruction for your future reference.

- Be careful when assembling, avoid damaging the painted surface.
- Clean the ottoman with lukewarm water, mild detergent & soft cloth.
- Firmly secure all connections before use, do not use any part of this item as a step ladder.
- Do not use or store this item in the proximity of open flame or flammable/combustible chemicals.
- Be aware that some parts are heavy and have sharp edges.
- Please do not exceed the weight limitations of this item.

NO TOOLS REQUIRED



LBS
CHAIR
400 LBS
CAPACITY



**1 PERSON
ASSEMBLY**

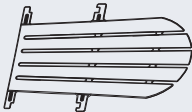


**UP TO 20 MIN.
ASSEMBLY**

PARTS

A

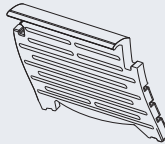
BACKREST



2 PCS

B

CHAIR SEAT



2 PCS

C

RIGHT ARM I



1 PC

C1

RIGHT ARM II



1 PC

D

LEFT ARM I



1 PC

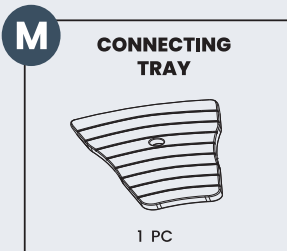
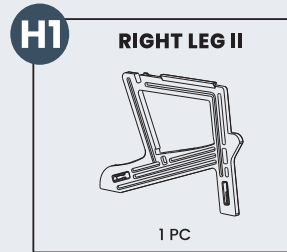
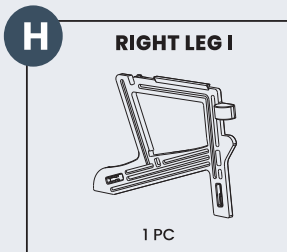
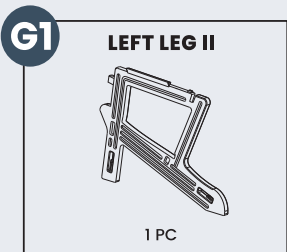
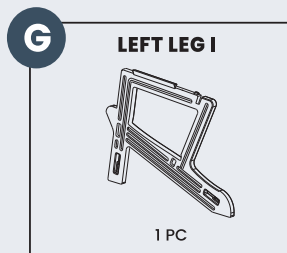
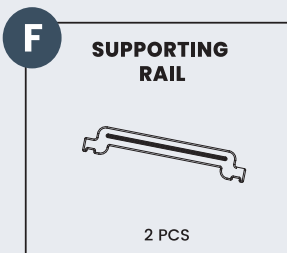
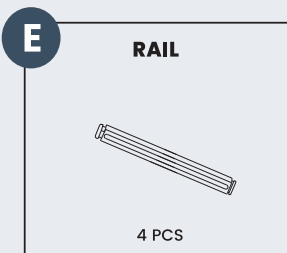
D1

LEFT ARM II



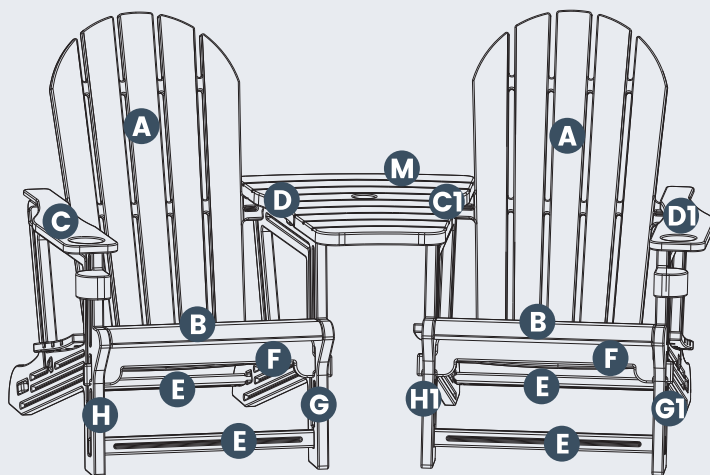
1 PC

PARTS



PRODUCT ASSEMBLY – OVERALL VIEW

Look at following overall view of this chair set and learn the exact position of each part to be assembled.

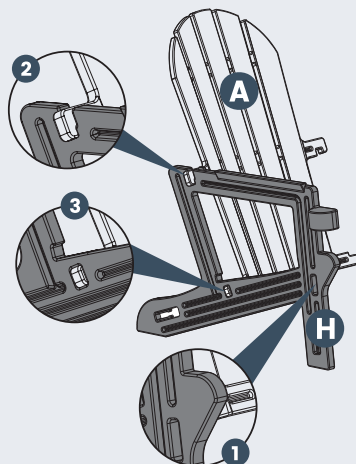


PRODUCT ASSEMBLY

1

Attach **Part H Right Leg I** to **Part A Backrest** as following steps.

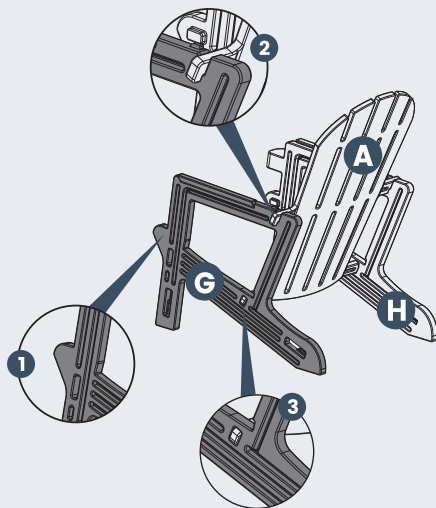
1. Place **Part H Right Leg I** on flat surface, make sure the seat holder is facing forward (See Figure 1).
2. Press the upper bar of the backrest into the positioning slot of the leg (Figure 2).
3. Insert the lower bar into the holding position of the leg (Figure 3).



PRODUCT ASSEMBLY

2

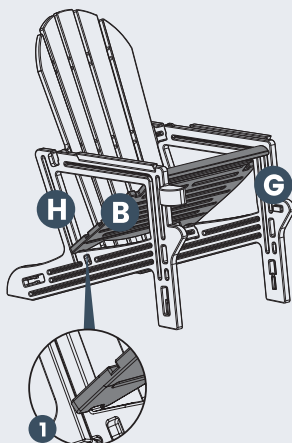
Do the same to attach **Part G Left Leg I** to **Part A Backrest**.



3

Insert **Part B Chair Seat** to the assembled frame till the groove sits in the slot in the legs (See Figure 1). Keep the seat a certain angle upward as below.

Pay attention not to press down the seat at this stage.

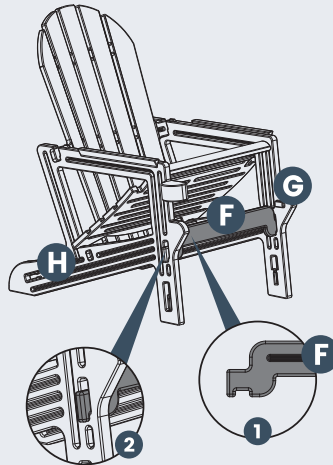


PRODUCT ASSEMBLY

4

Place **Part F Supporting Rail** between 2 pcs of Legs as below, make sure the tenons with groove facing downward (See Figure 1).

Press hard on **Part F Supporting Rail** to make the tenons locked firmly into the mortise in the legs (Figure 2).

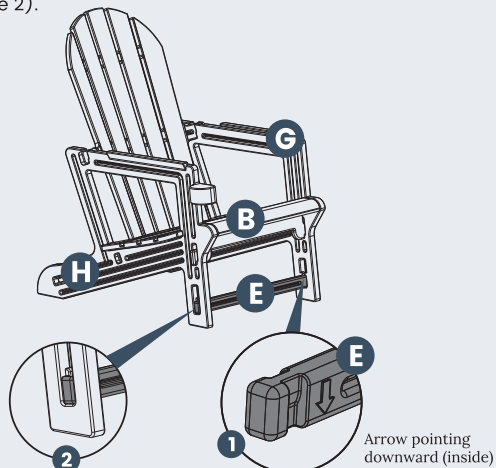


5

Press the seat down till it lands on the supporting rail firmly.

Place **Part E Rail** between **Part G Left Leg I** and **Part H Right Leg I** as below, make sure the arrows are inside and pointing downward (See Figure 1).

Press hard on **Part E Rail** to make the tenons locked firmly into the mortise in the legs (Figure 2).



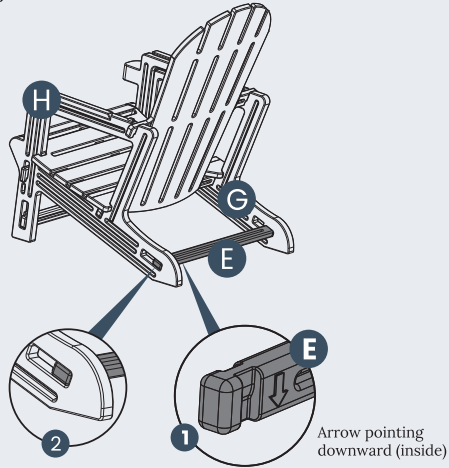
Arrow pointing
downward (inside)

PRODUCT ASSEMBLY

6

Place another **Part E Rail** between **Part G Left Leg I** and **Part H Right Leg I** as below, make sure the arrows are inside and pointing downward (See Figure 1).

Press hard on **Part E Rail** to make the tenons locked firmly into the mortise in the legs (Figure 2).

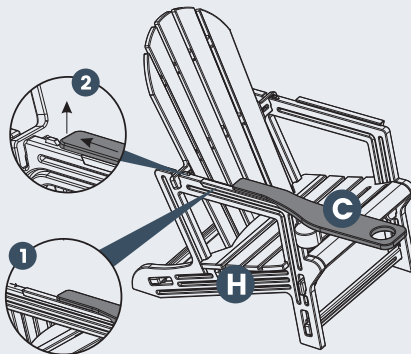


7

Attach **Part C Right Arm I** to **Part H Right Leg I** as follows.

1. Match the groove in **Part C Right Arm I** with the tenon on top of leg, and slide the arm horizontally backward (See Figure 1).

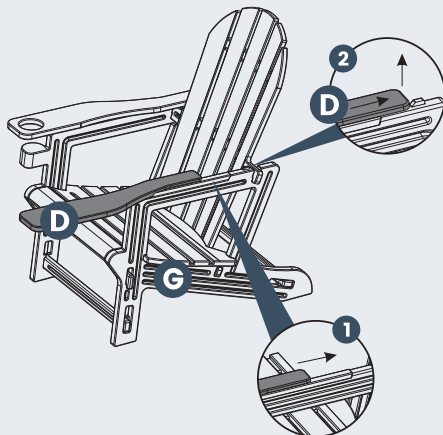
2. Pull the arm upward when it moves to the lock, slide again till the lock trapped in the groove (Figure 2).



PRODUCT ASSEMBLY

8

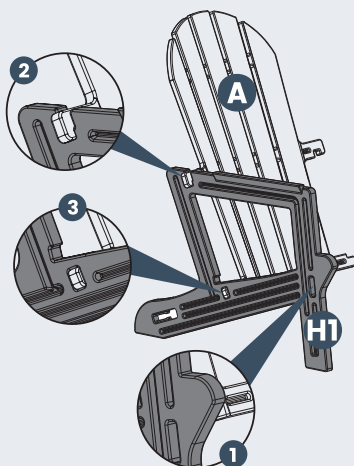
Do the same to attach **Part D Left Arm I** to **Part G Left Leg I**.



9

Attach **Part H1 Right Leg II** to **Part A Backrest** as following steps.

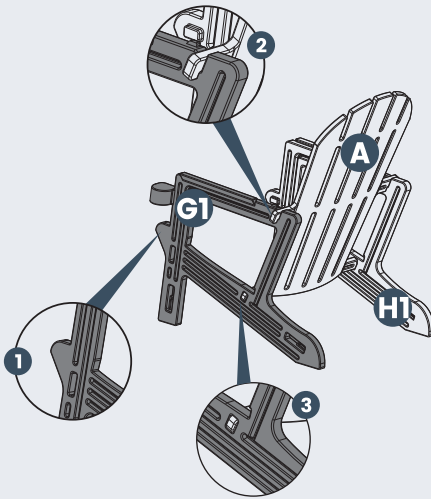
1. Place **Part H1 Right Leg II** on flat surface, make sure the seat holder is facing forward (See Figure 1).
2. Press the upper bar of the backrest into the positioning slot of the leg (Figure 2).
3. Insert the lower bar into the holding position of the leg (Figure 3).



PRODUCT ASSEMBLY

10

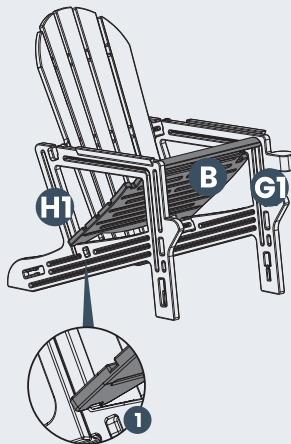
Do the same to attach **Part G1 Left Leg II** to **Part A Backrest**.



11

Insert **Part B Chair Seat** to the assembled frame till the groove sits in the slot in the legs (See Figure 1). Keep the seat a certain angle upward as below.

Pay attention not to press down the seat at this stage.

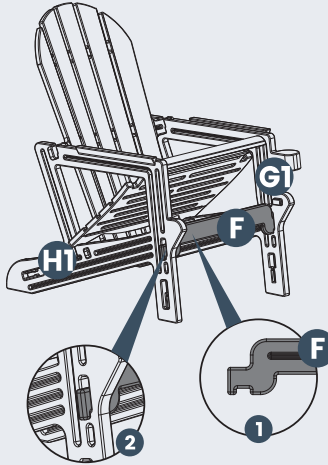


PRODUCT ASSEMBLY

12

Place **Part F Supporting Rail** between 2 pcs of Legs as below, make sure the tenons with groove facing downward (See Figure 1).

Press hard on **Part F Supporting Rail** to make the tenons locked firmly into the mortise in the legs (Figure 2).

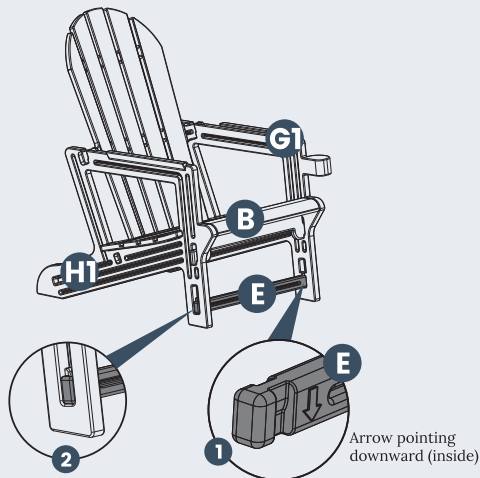


13

Press the seat down till it landed on the supporting rail firmly.

Place **Part E Rail** between **Part G1 Left Leg II** and **Part H1 Right Leg II** as below, make sure the arrows are inside and pointing downward (See Figure 1).

Press hard on **Part E Rail** to make the tenons locked firmly into the mortise in the legs (Figure 2).



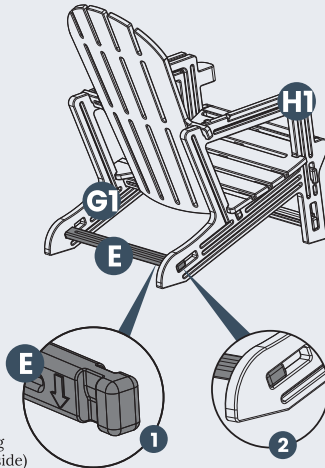
Arrow pointing downward (inside)

PRODUCT ASSEMBLY

14

Place another **Part E Rail** between **Part G1 Left Leg II** and **Part H1 Right Leg II** as below, make sure the arrows are inside and pointing downward (See Figure 1).

Press hard on **Part E Rail** to make the tenons locked firmly into the mortise in the legs (Figure 2).



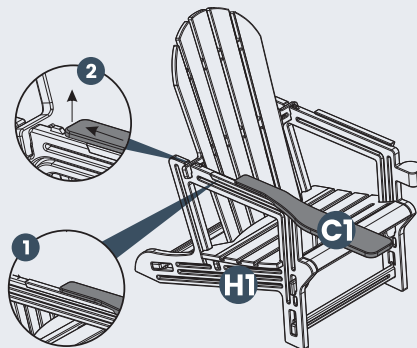
Arrow pointing
downward (inside)

15

Attach **Part C1 Right Arm II** to **Part H1 Right Leg II** as follows.

1. Match the groove in **Part C1 Right Arm II** with the tenon on top of leg, and slide the arm horizontally backward (See Figure 1).

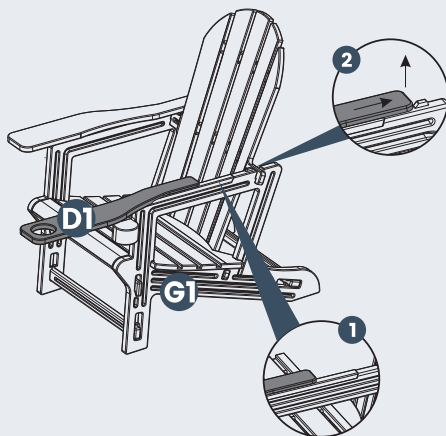
2. Pull the arm upward when it moves to the lock, slide again till the lock trapped in the groove (Figure 2).



PRODUCT ASSEMBLY

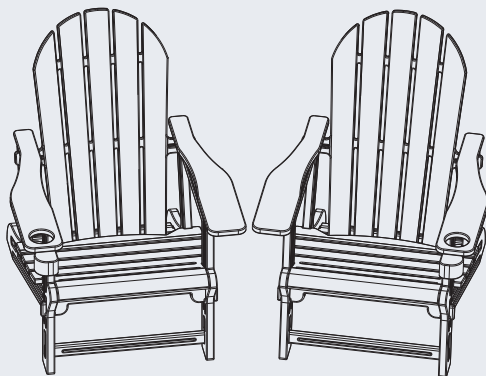
16

Do the same to attach **Part D1 Left Arm II** to **Part G1 Left Leg II**.



17

Place 2 pcs of assembled chairs in a certain position as shown below.

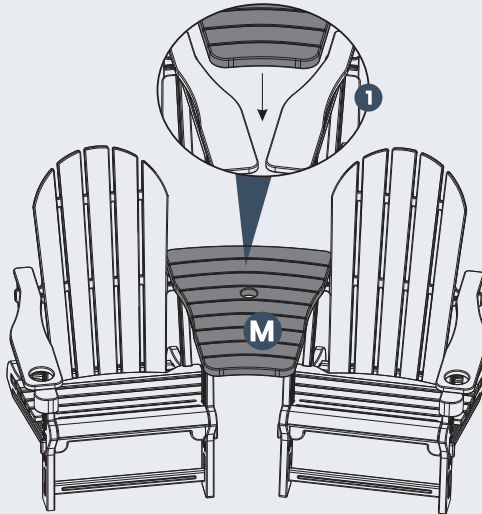


PRODUCT ASSEMBLY

18

Place **Part M Connecting Tray** onto the arms of both chairs, align the arms with the grooves at the bottom of the connecting tray.

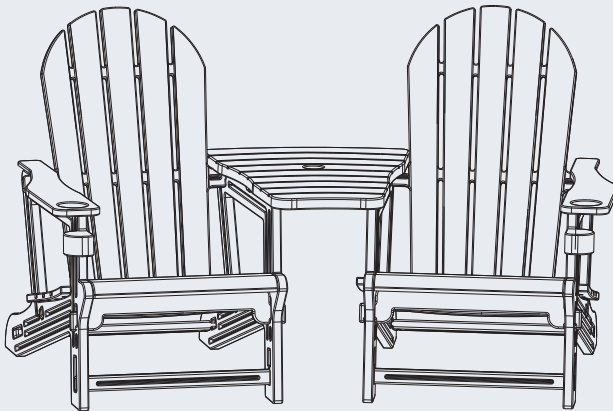
Press hard on the connecting tray until the arms connected to the tray firmly.



19

Check and tighten all the connections again to ensure the chair set is steady enough.

Enjoy the chair set now.



CLEANING TIPS

REGULAR CLEAN: Use a mixture of warm water and mild soap. Gently scrub the surface with a soft bristle brush to remove any dirt or stains.

QUICK CLEAN: You can simply wipe down the furniture with a damp cloth.

Regular cleaning not only preserves the aesthetic appeal of your furniture, but also helps extend its lifespan.