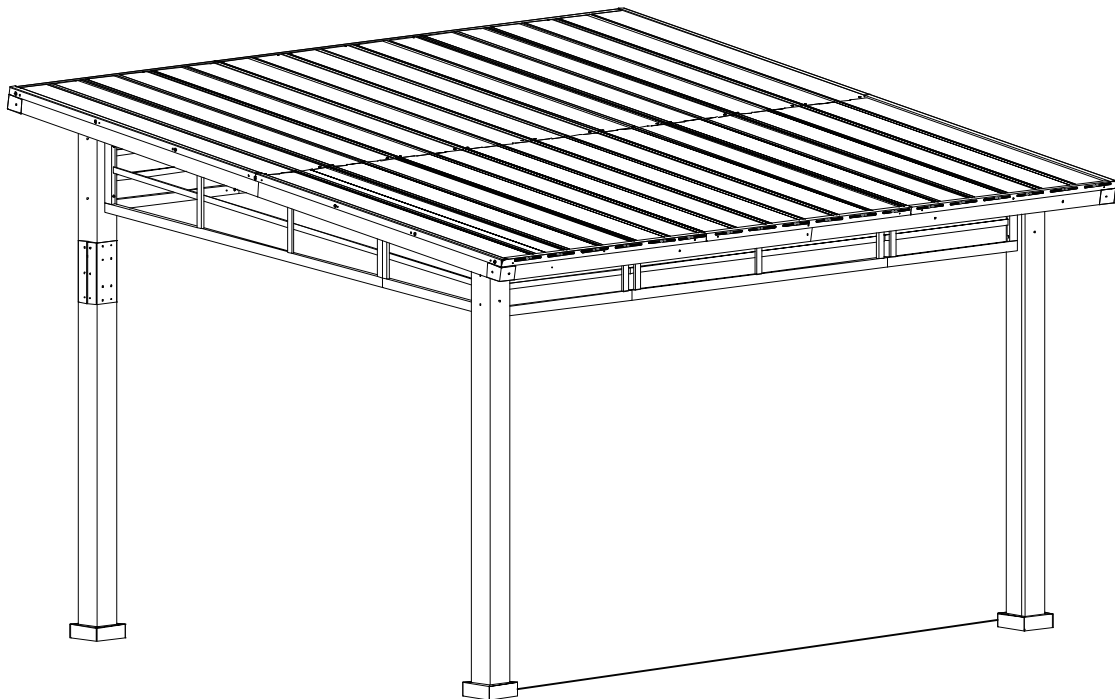


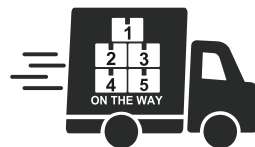


LUE BONA[®]
LEAD UNIQUE ELEGANCE

USER'S MANUAL
CHANDLER SERIES
12×14' GAZEBO



**THIS PRODUCT REQUIRES 3-5
PEOPLE TO INSTALL TOGETHER**



**THE ITEM IS DIVIDED INTO 5 PACK-
AGES DUE TO ITS LARGE SIZE.
PLEASE WAIT UNTIL ALL PACKAG-
ES ARRIVE BEFORE INSTALLING.**

Guide of Manual

- Thanks for your choice. **We will do our best to provide customer service for everyone.**
- Please check to make sure all parts are included as stated when you unpack. If there are parts missing or wrong, please contact us, **we will expeditiously provide reissue accessories, compensation or other services.**
- Instruction should be read carefully. But the manual may not cover every detail of all possible situations and steps. **Please contact us if further information and help are needed. We will respond in a timely manner.**
- **Please be patient that the other items are on the way if you buy more than one product.**

Warning

- It's kindly advised to assemble this product on a carpeted floor to protect it from being scratched.
- Small parts are included. Please keep the product away from children while assembling. Do not let children play or jump on the product. Do not stand on the item or use as a step ladder.
- Please pay attention to the sharp corners during assembly. We recommend the use of gloves to prevent the undesired injury.
- Prior to use, please check to see if there's any loosening screw or part. Make sure that each screw and part is correctly installed and securely fastened.
- Please at a low gear if you need electric drill.

Care and Maintenance

- Use a soft, clean cloth that will not scratch the surface when dusting.
- Periodically (every 90 days) make sure the screws are fully tightened.

Resists pest & rough weather

- These all-weather items can be stored outdoors year-round. Perfect for people who lives in a wet climate or lives on the coast where humidity and moisture will be an issue all year.

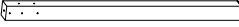
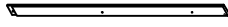





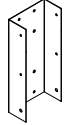
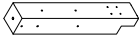
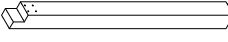
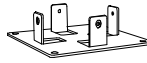
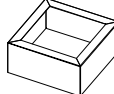
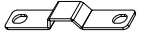




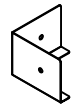

Max Weight capacity

- **3300lbs [Do not stand on the item]**

Parts List & Assembly Instruction

1. Make sure all parts are in the package.


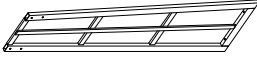




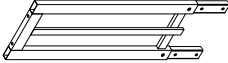
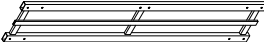




2 "+" in below list indicates that additional pieces are replacement parts

(BOX A) PARTS LIST				
③	⑩	⑪	⑫	⑬
				
2 PCS	2 PCS	2 PCS	2 PCS	2 PCS
(K1)	(K2)	(Y1)		
				
2 PCS	2 PCS	4 PCS		
(BOX B) PARTS LIST				
①	②	(M)	(N)	(S)
				
2 PCS	2 PCS	4 PCS	4 PCS	12 PCS
(Y2)	(Y3)	(Y4)	(Y5)	(Y6)
				
11 PCS	3 PCS	3 PCS	5 PCS	4 PCS
(Y7)				
				
4 PCS				

Parts List & Assembly Instruction

1. Make sure all parts are in the package.


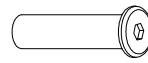
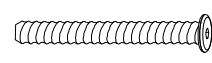

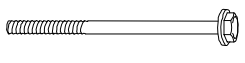
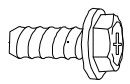




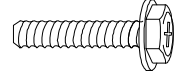
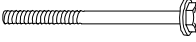
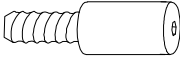
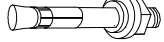


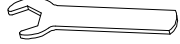
2 "+" in below list indicates that additional pieces are replacement parts

(BOX C) PARTS LIST				
(B5) 	(B6) 	(B7) 	(B8) 	(C3) 
1 PC	1 PC	1 PC	1 PC	2 PCS
(C4) 	(D3) 	(D4) 	(R1) 	(K3) 
1 PC	2 PCS	1 PC	1 PC	2 PCS
(K4) 	(K5) 			
2 PCS	2 PCS			

Parts List & Assembly Instruction

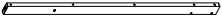
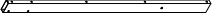

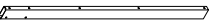
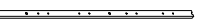

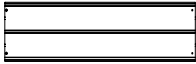
1. Make sure all parts are in the package.

2. "+" in below list indicates that additional pieces are replacement parts

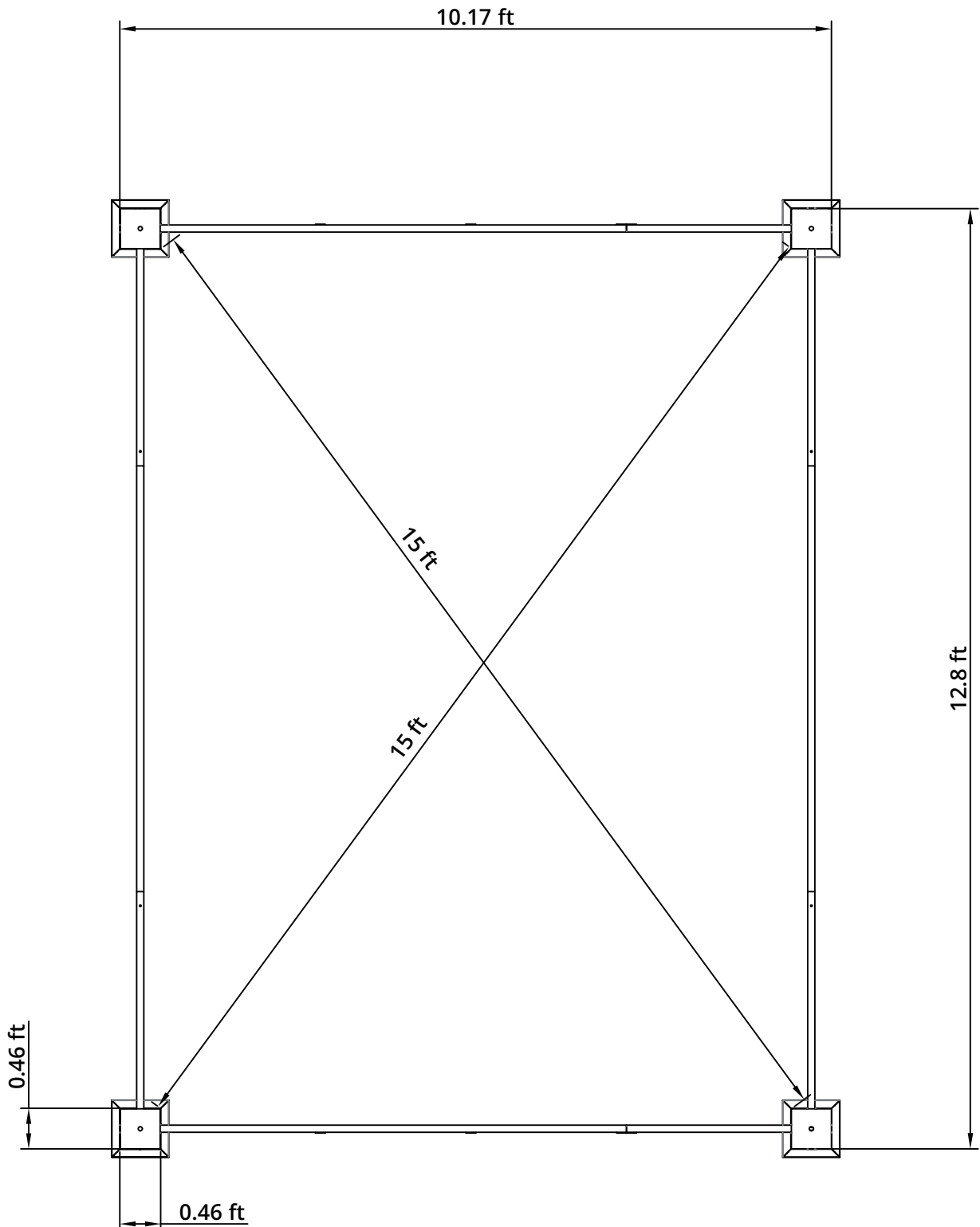
(BOX C) Hardware List				
AA  M5x15	BB  M6x40	CC  M6x120	DD  ST4.2x25	EE  M8x210
126+10 PCS	16+3 PCS	16+3 PCS	16+3 PCS	16+3 PCS
GG  M6x15	KK  M6	LL  M8	NN  M8	PP  D8x180
144+10 PCS	26+3 PCS	20+3 PCS	20+3 PCS	8 PCS
QQ  M6x40	RR  M8x190	TT  M6x35	UU  M6x80	Z1  M6
24+3 PCS	4+1 PCS	35+3 PCS	8 PCS	2 PCS
Z2  M6	Z3  M8			
2 PCS	2 PCS			

Parts List & Assembly Instruction

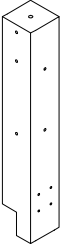
- 1. Make sure all parts are in the package.
- 2. "+" in below list indicates that additional pieces are replacement parts

(BOX D) PARTS LIST				
(A5)	(A6)	(A7)	(A8)	(H3)
				
2 PCS	2 PCS	3 PCS	3 PCS	2 PCS
(H4)				
				
12 PCS				
(BOX E) PARTS LIST				
(V)				
				
26 PCS				

1. Before installing the gazebos, confirm that you have a space of 10.17 ft.* 12.8 ft. at least.
2. Before fixing the 4 columns, please confirm that the diagonal dimensions and length are correct.



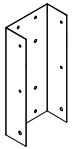
1



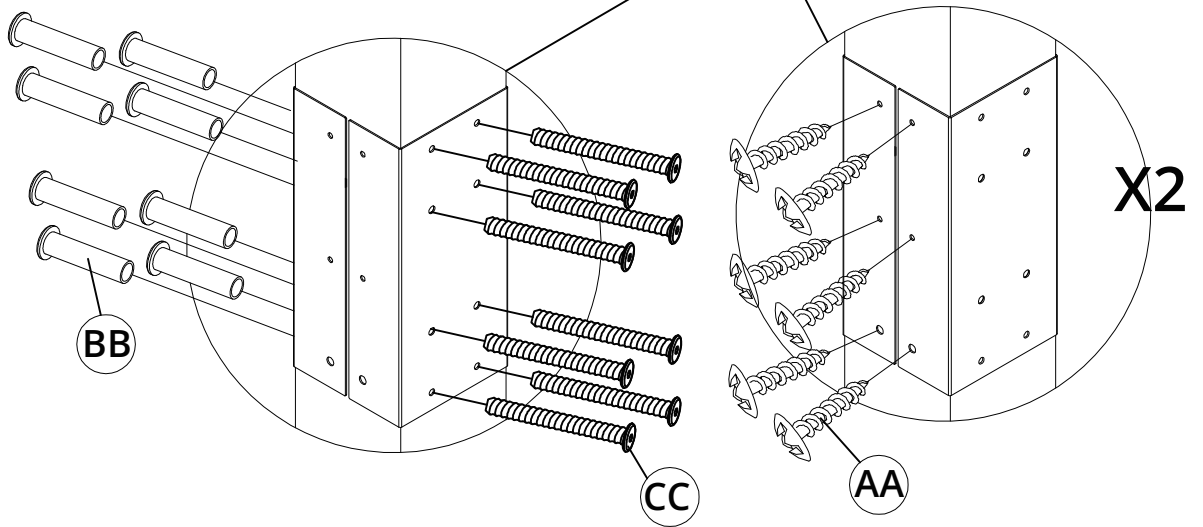
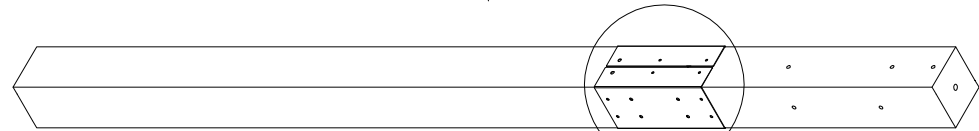
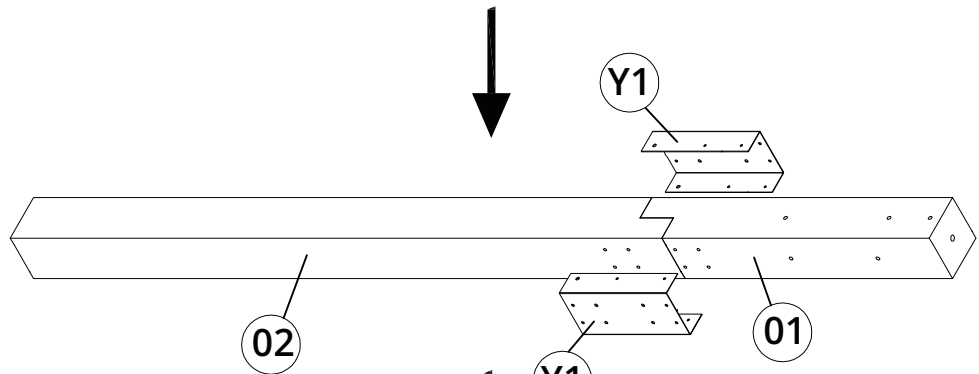
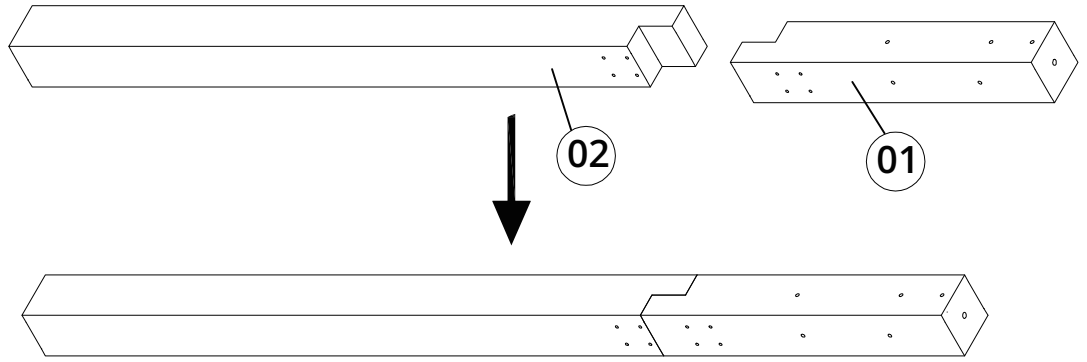
01 2x



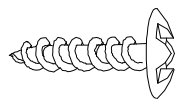
02 2x



Y1 4x



AA 24x



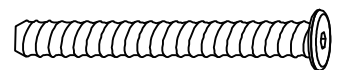
M5x15

BB 16x



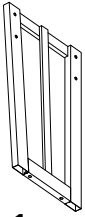
M6x40

CC 16x

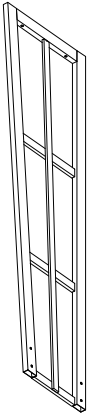


M6x120

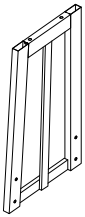
2



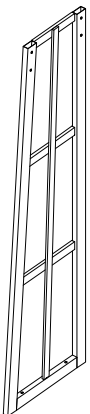
B5 1x



B6 1x



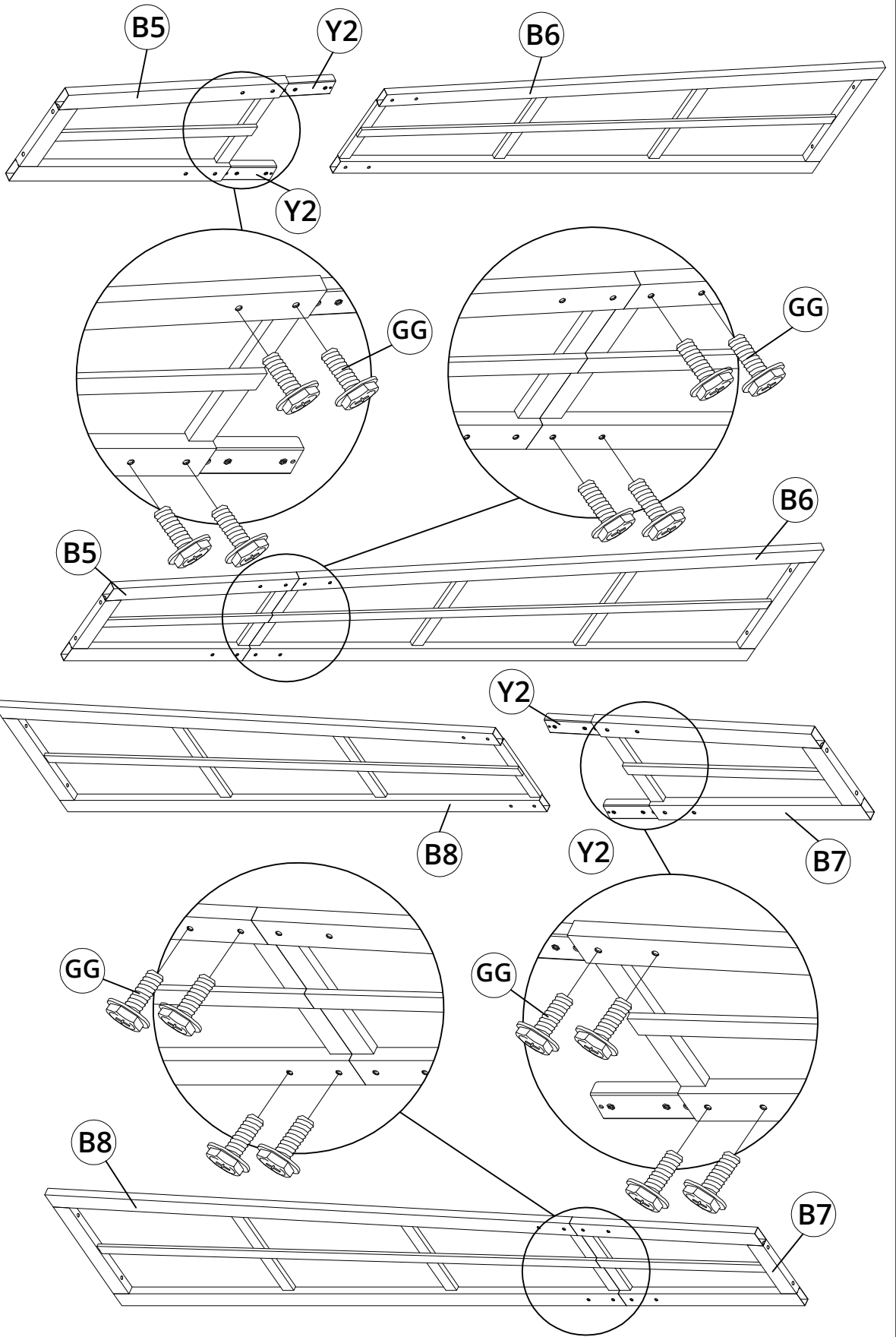
B7 1x



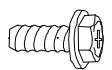
B8 1x



Y2 4x

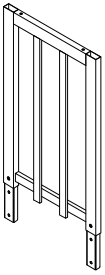


GG 16x

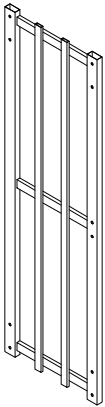


M6x15

3



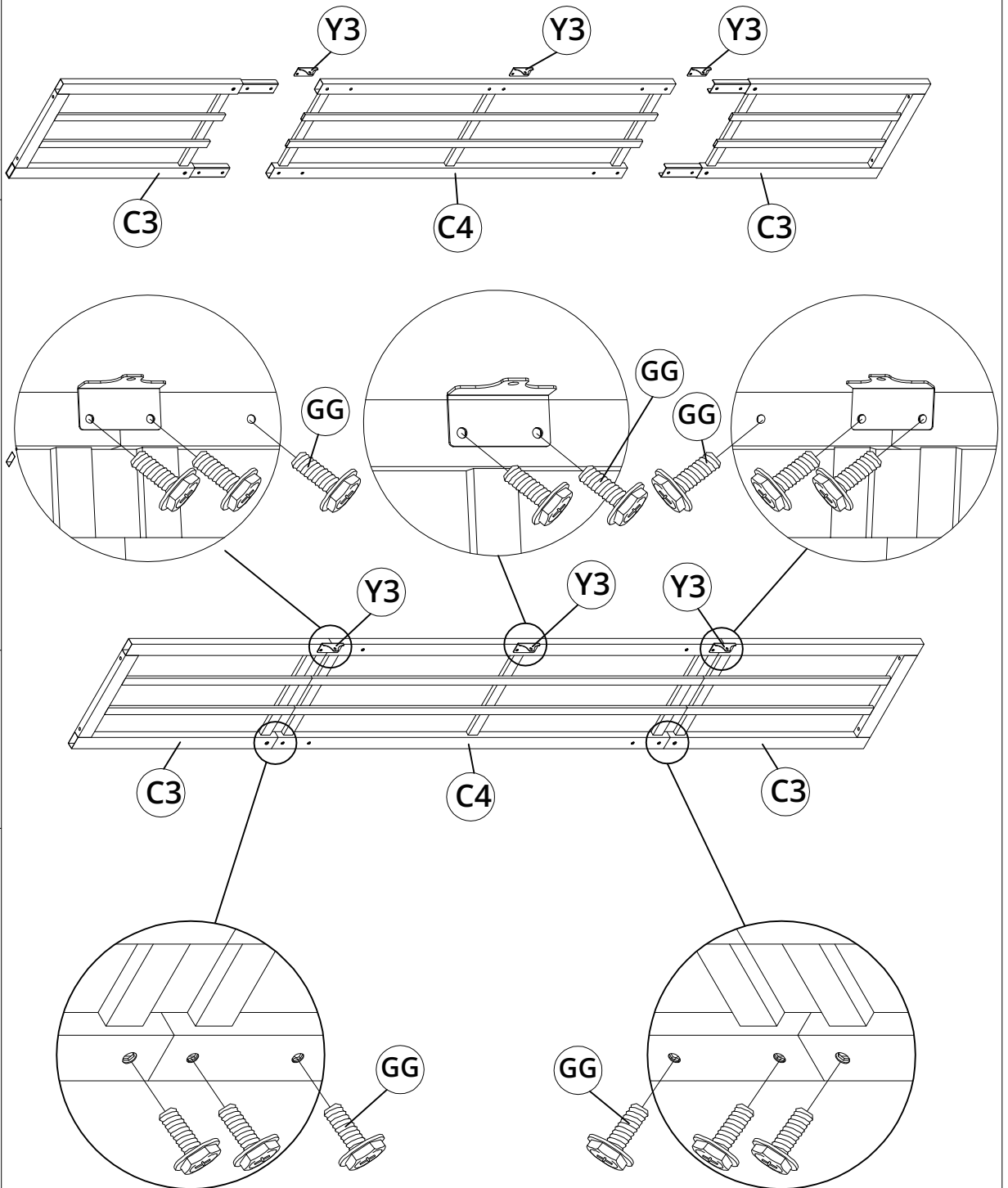
C3 2x



C4 1x

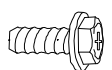


Y3 3x



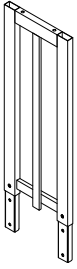
Note: Y3 parts do not need to be locked tightly for subsequent installation

GG 14x

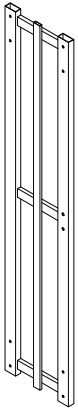


M6x15

4



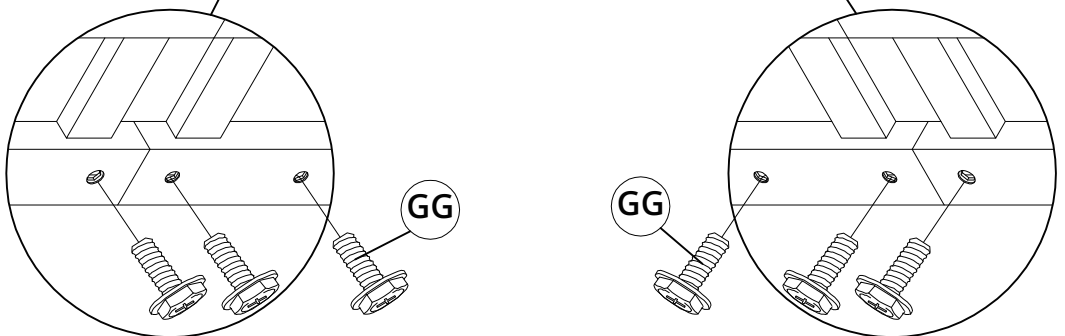
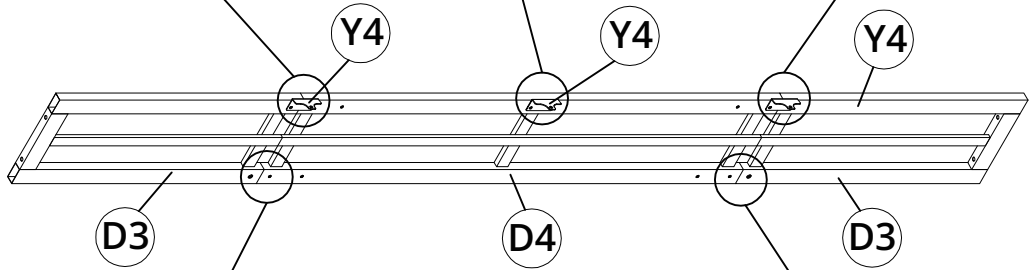
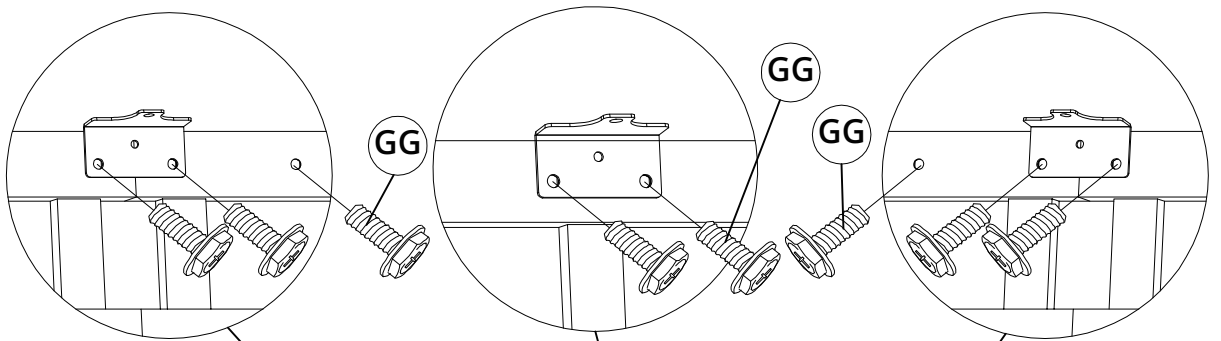
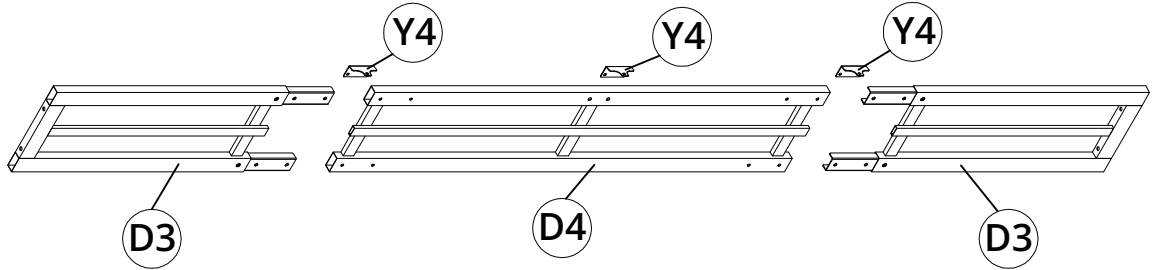
D3 2x



D4 1x

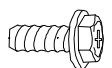


Y4 3x



Note: Y4 parts do not need to be locked tightly for subsequent installation

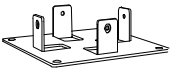
GG 14x



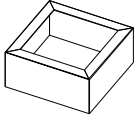
M6x15

5

Install the components shown in this step and then erect the column.



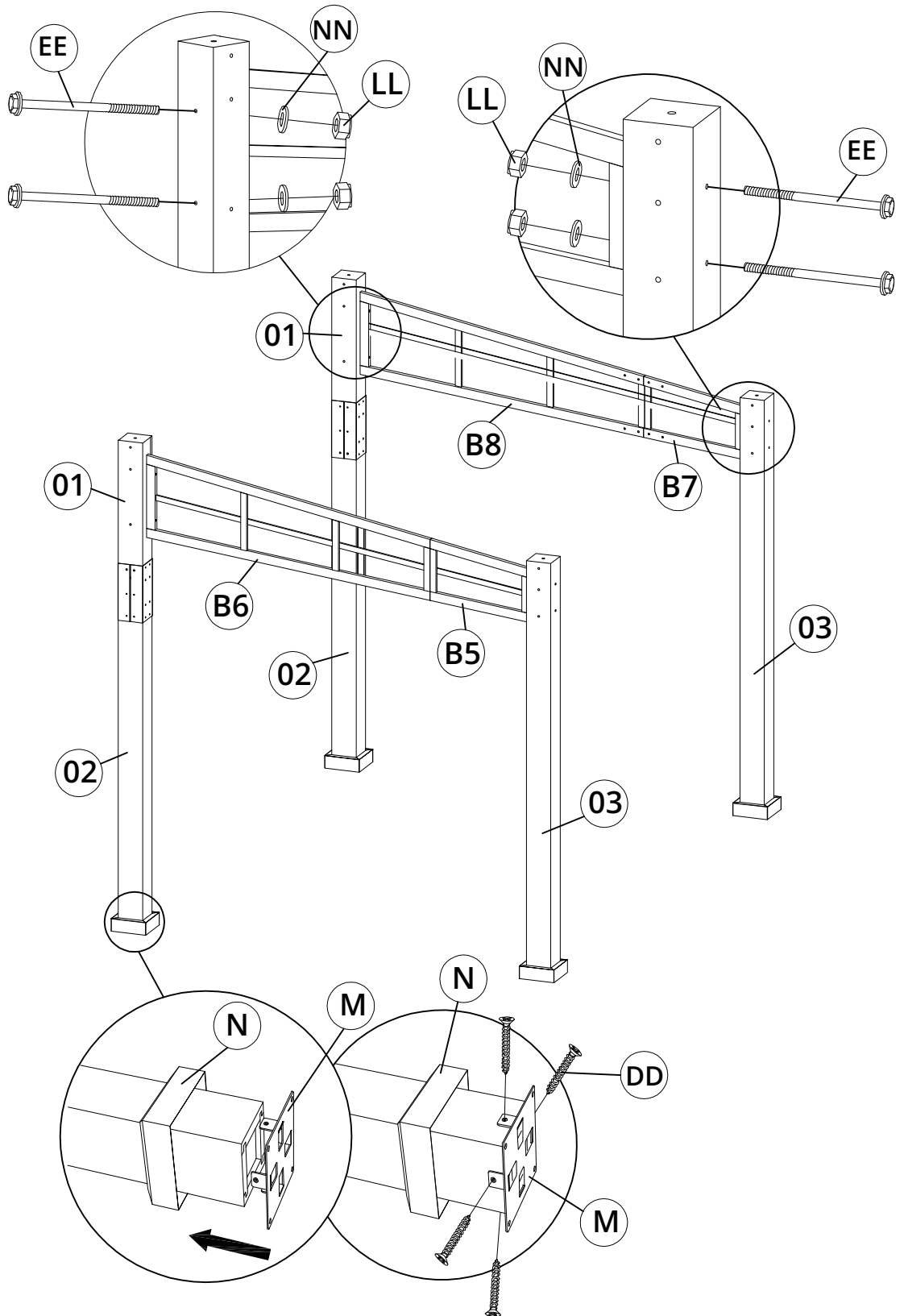
M 4x



N 4x



03 2x



NN 8x



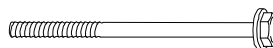
M8

LL 8x



M8

EE 8x

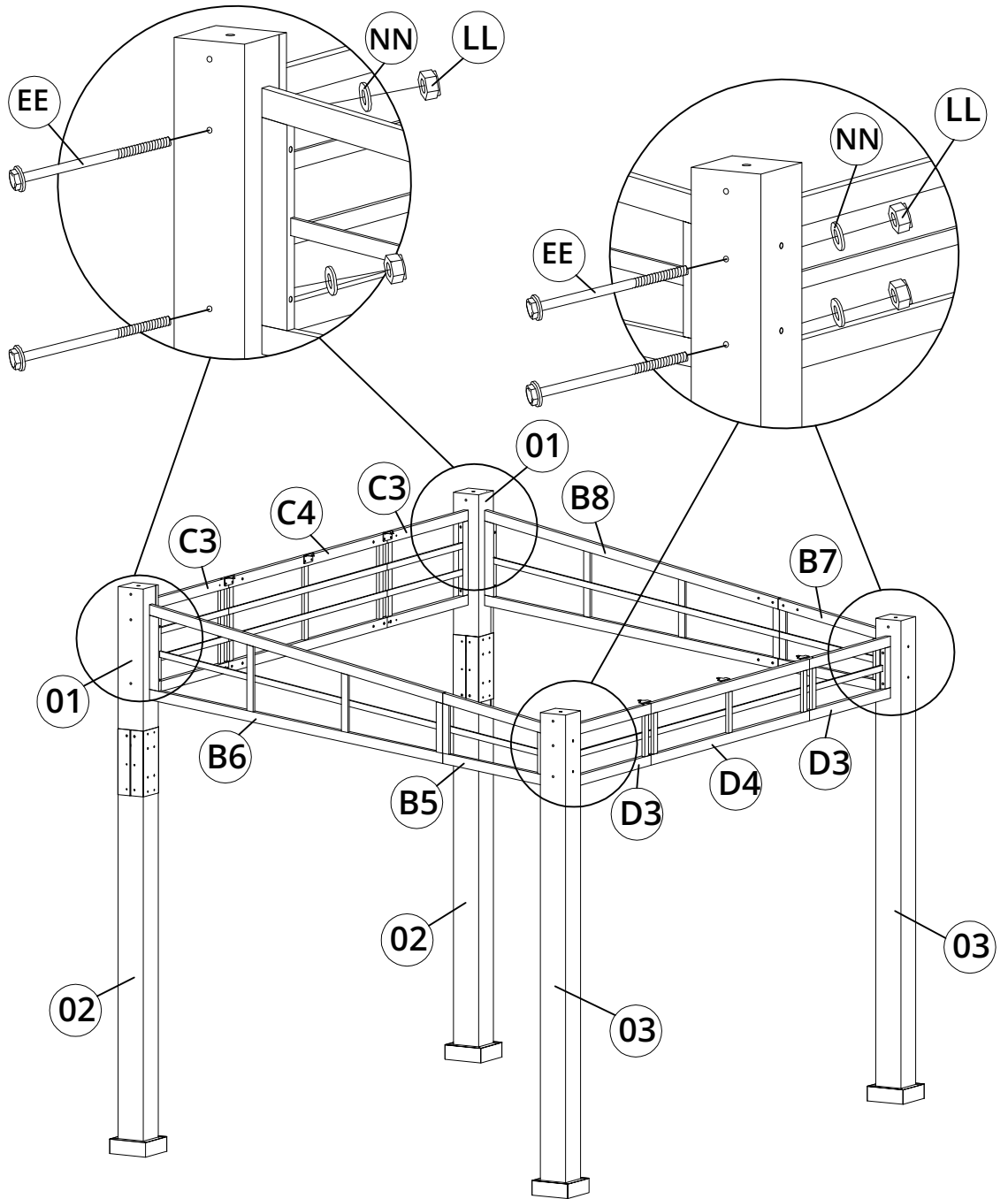




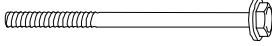
M8x210

DD 16x



ST4.2x25



<p>Ⓝ NN 8x</p>  <p>M8</p>	<p>Ⓝ LL 8x</p>  <p>M8</p>	<p>Ⓝ EE 8x</p>  <p>M8x210</p>
--	---	--

7



A5 2x



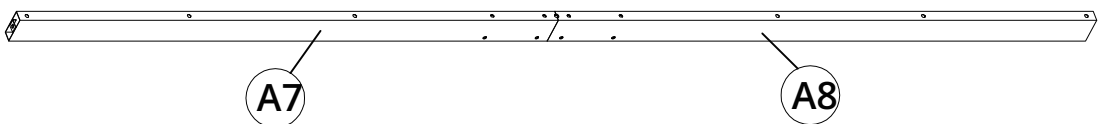
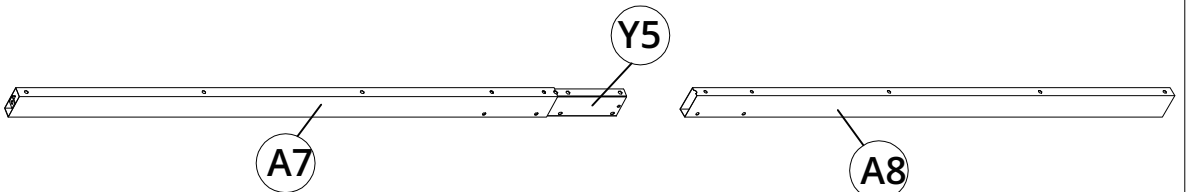
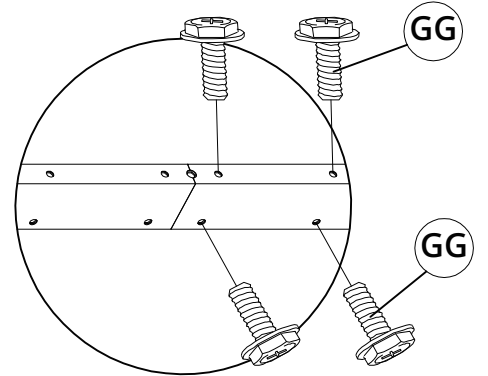
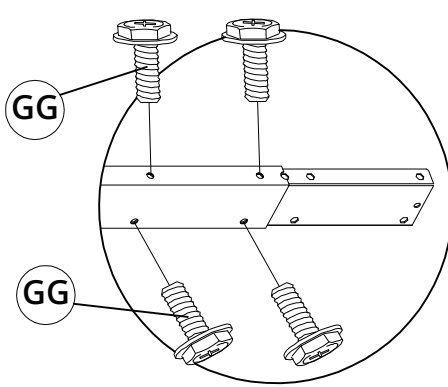
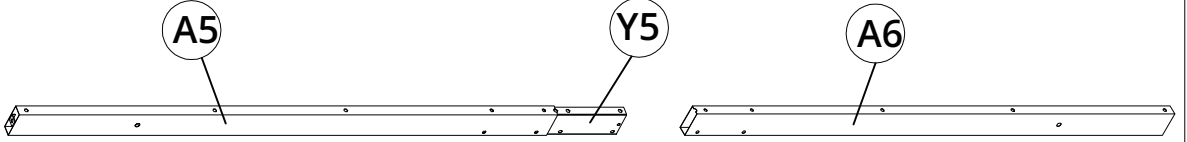
A6 2x



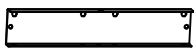
A7 3x



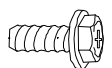
A8 3x



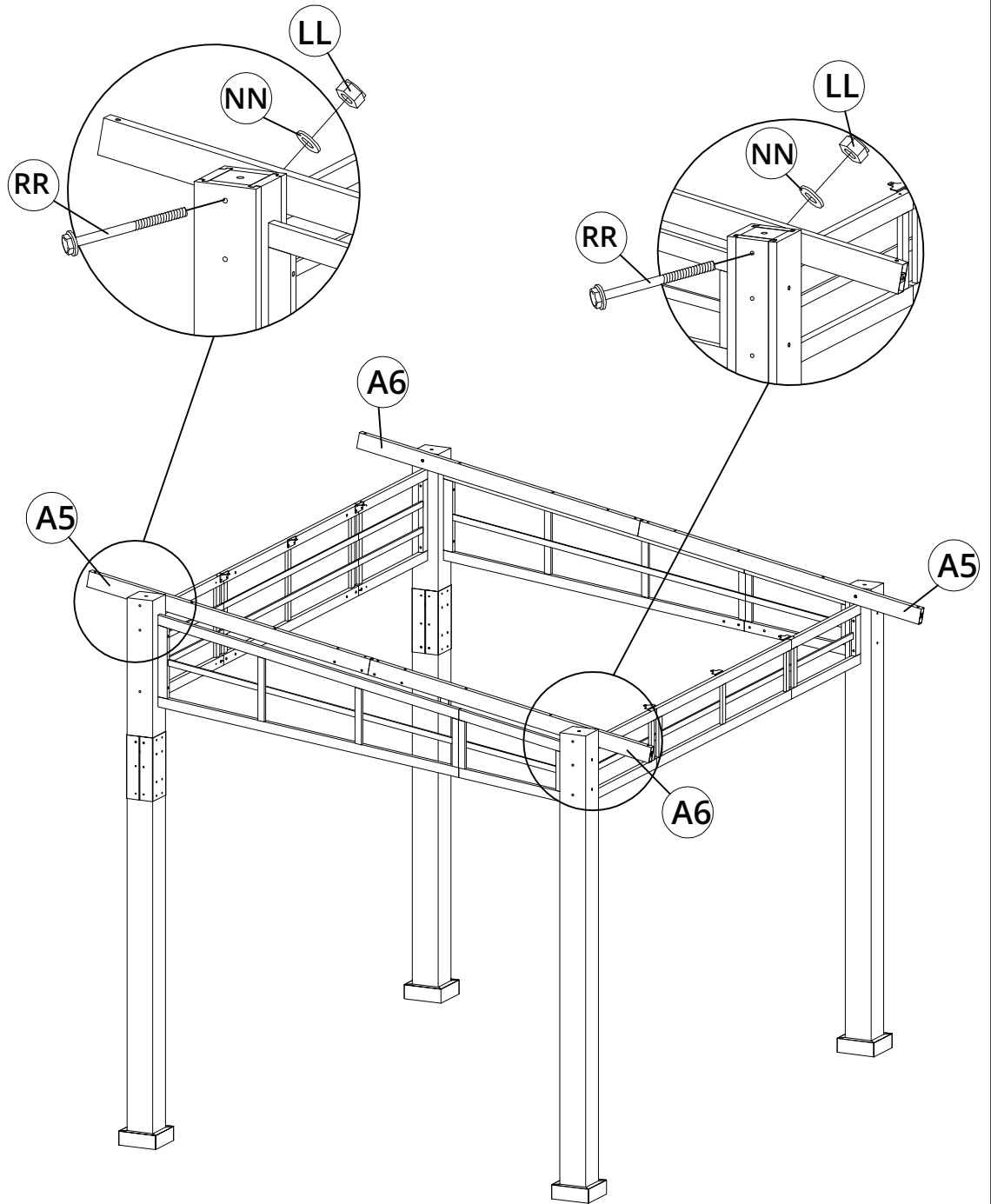
Y5 5x



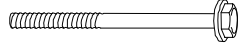


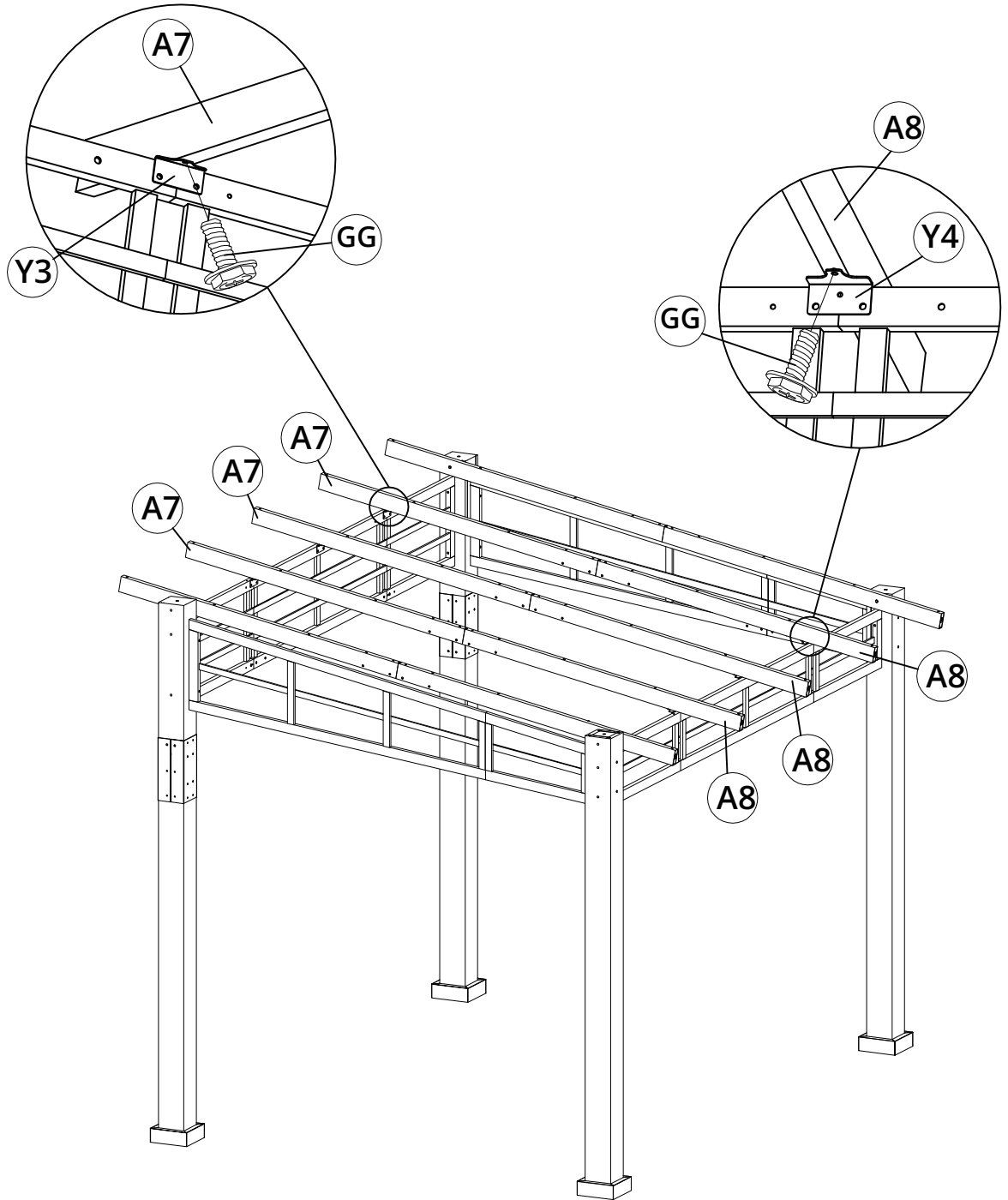
GG 40x



M6x15

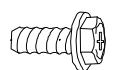


<p>Ⓝ NN 4x</p>  <p>M8</p>	<p>Ⓝ LL 4x</p>  <p>M8</p>	<p>Ⓝ RR 4x</p>  <p>M8x190</p>
--	---	--



Note: A7 A8 parts do not need to be locked tightly for subsequent installation

GG 6x

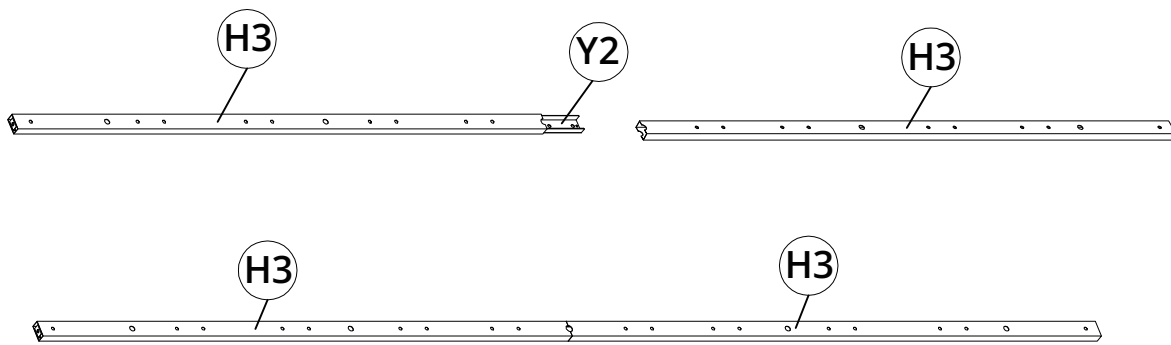


M6x15

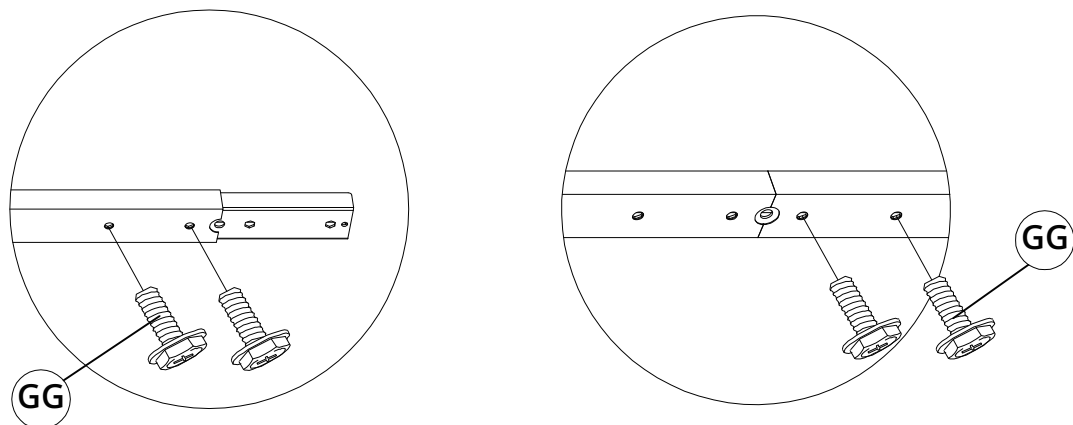
10



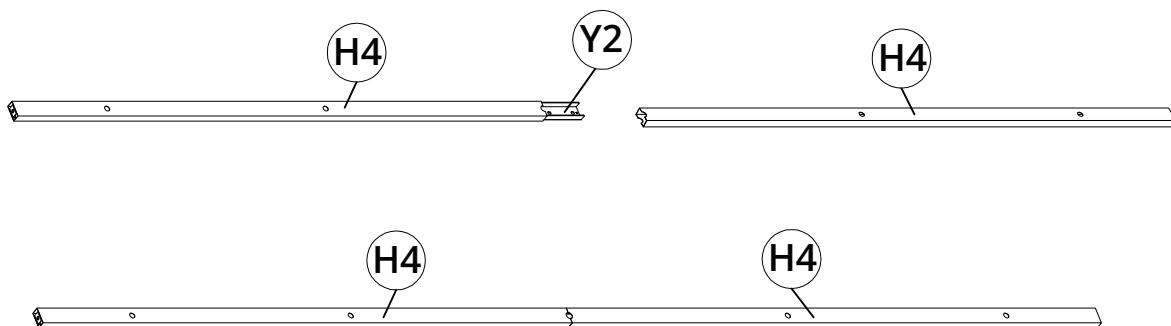
H3 2x



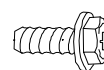
H4 12x



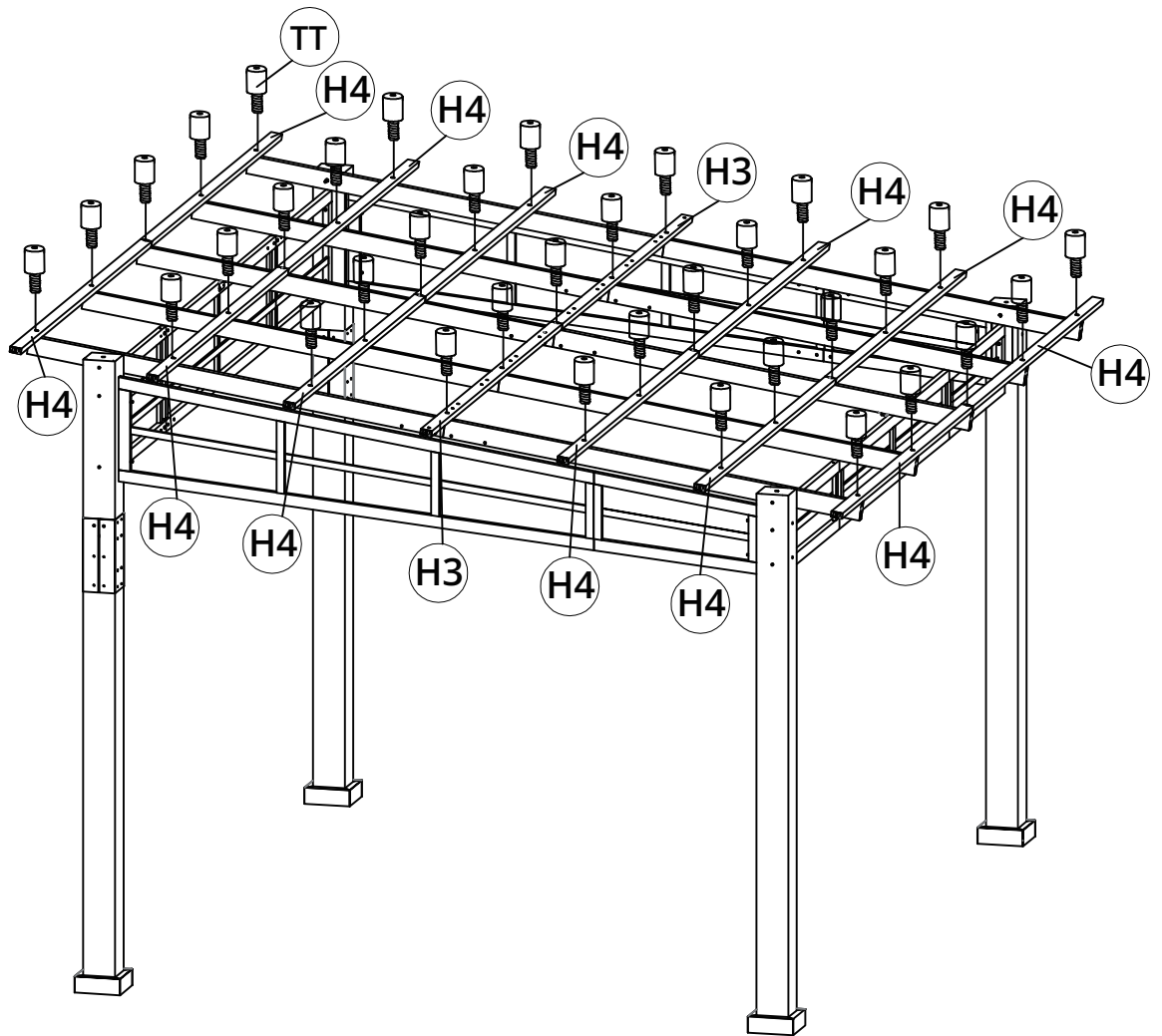
Y2 7x



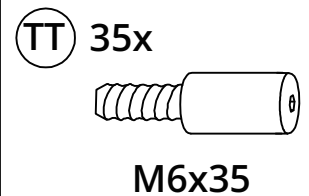
GG 28x



M6x15



Note: H3 H4 parts do not need to be locked tightly for subsequent installation



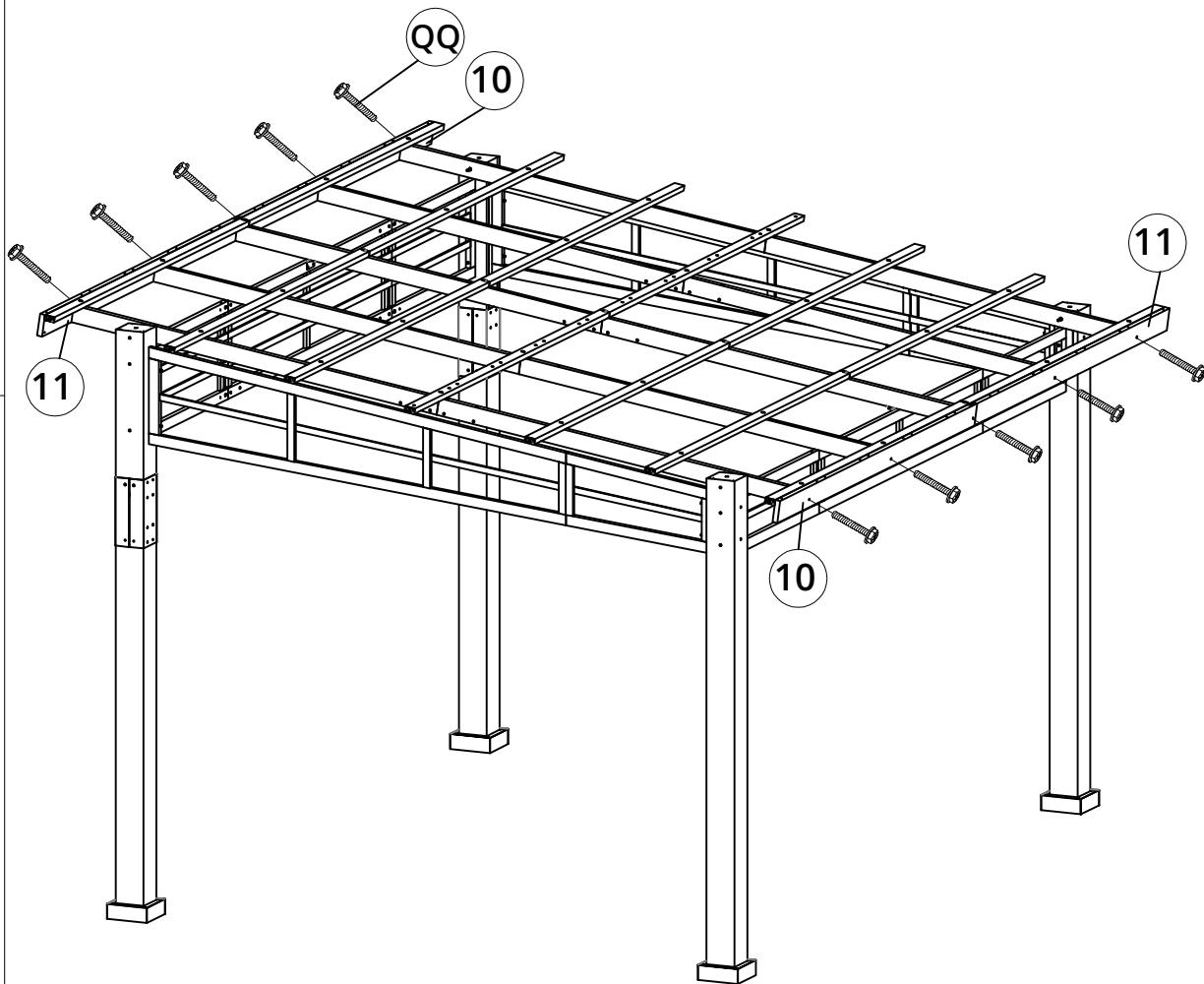
12



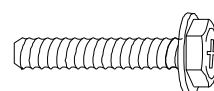
10 2x



11 2x



QQ 10x



M6x40

13



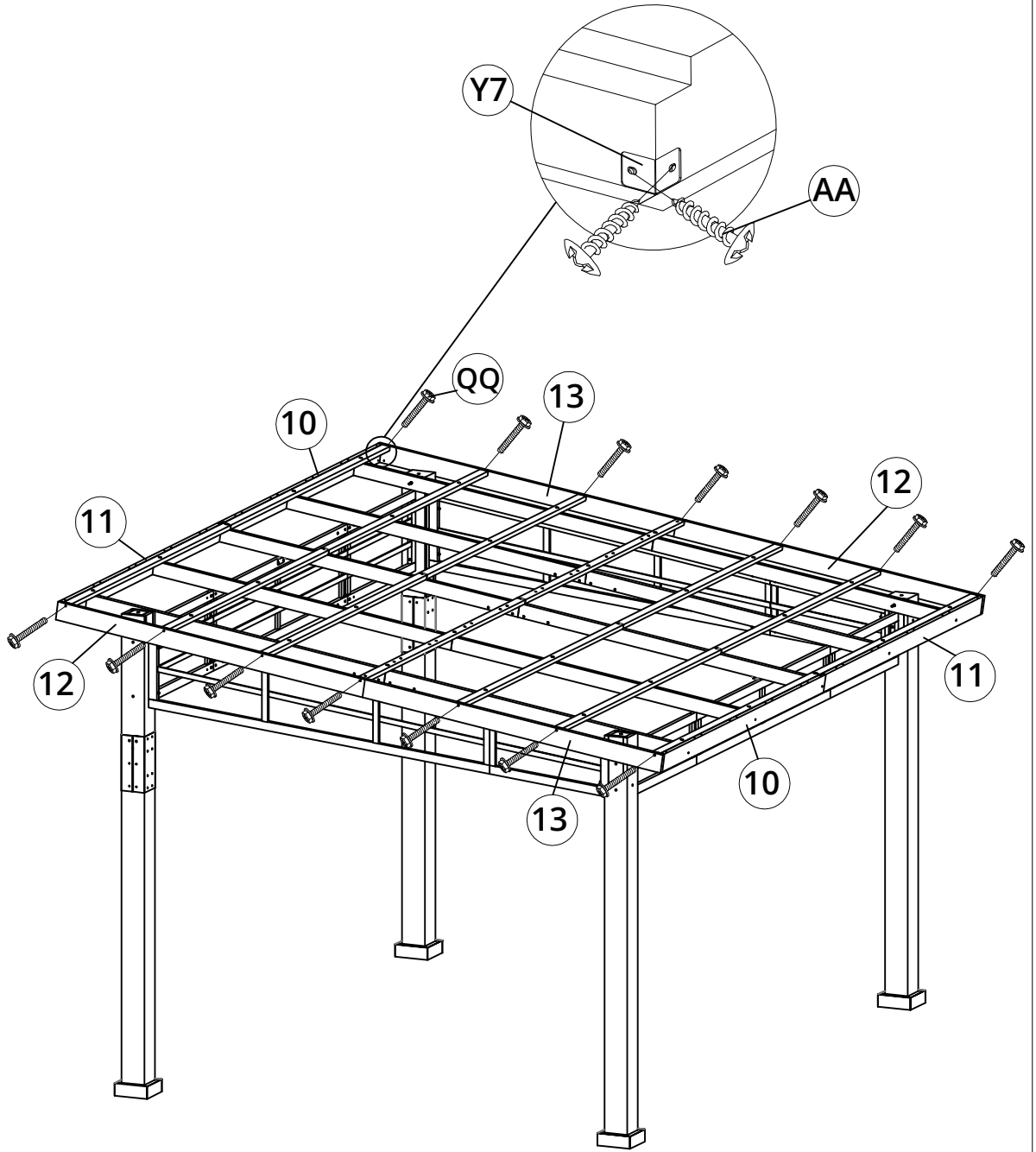
12 2x



13 2x



Y7 4x



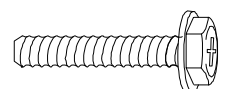
Note: After locking 10 11 12 13 parts, lock previously unlocked parts

AA 8x



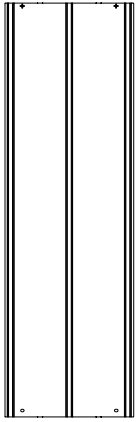
M5x15

QQ 14x

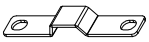


M6x40

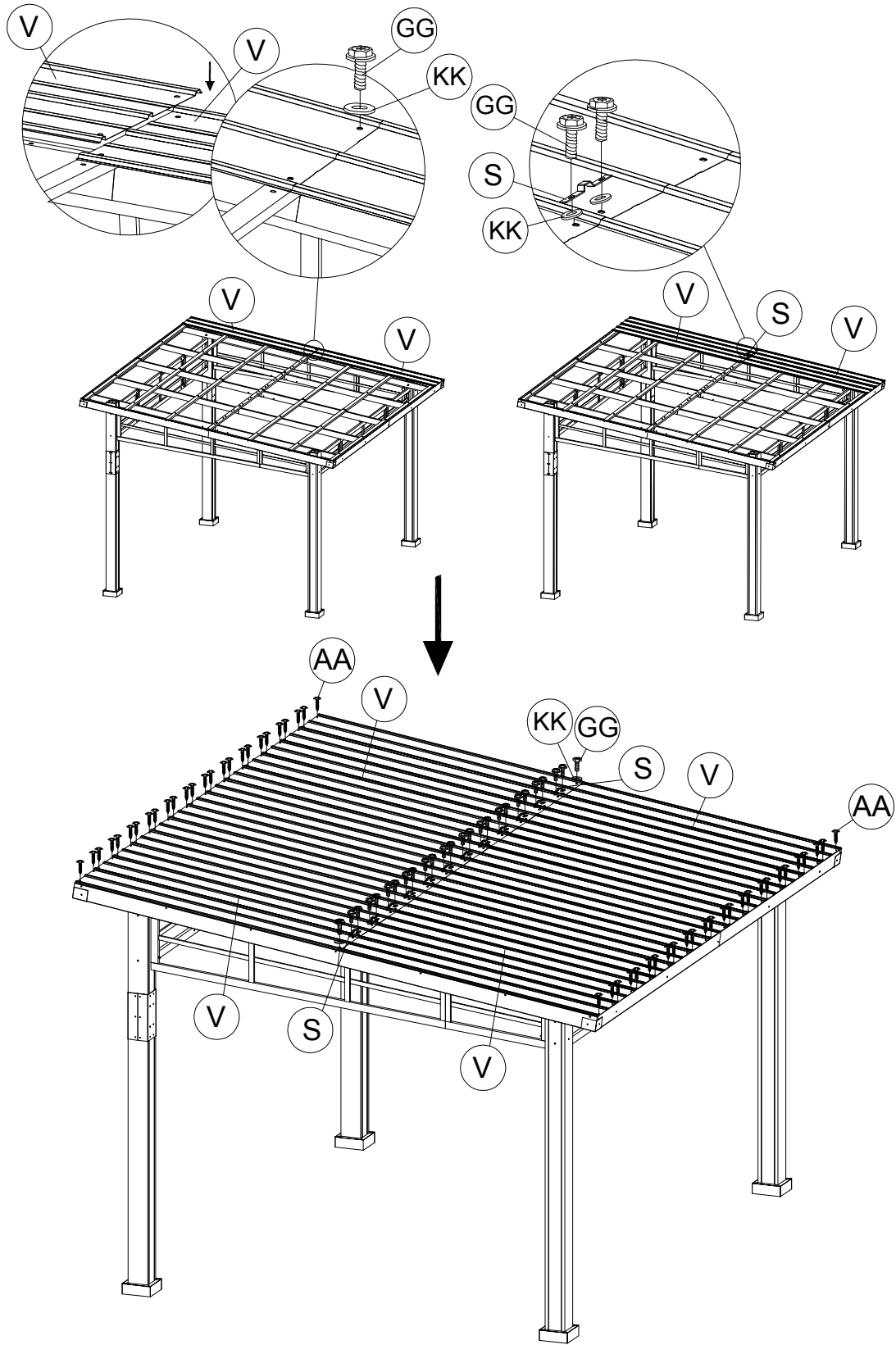
14



V 26x



S 12x

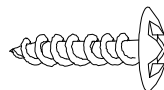


KK 26x



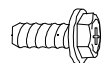
M6

AA 52x



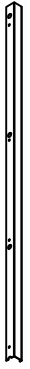
M5x15

GG 26x



M6x15

15



K1 2x



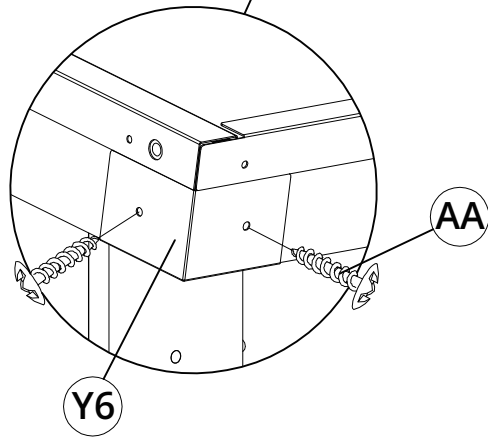
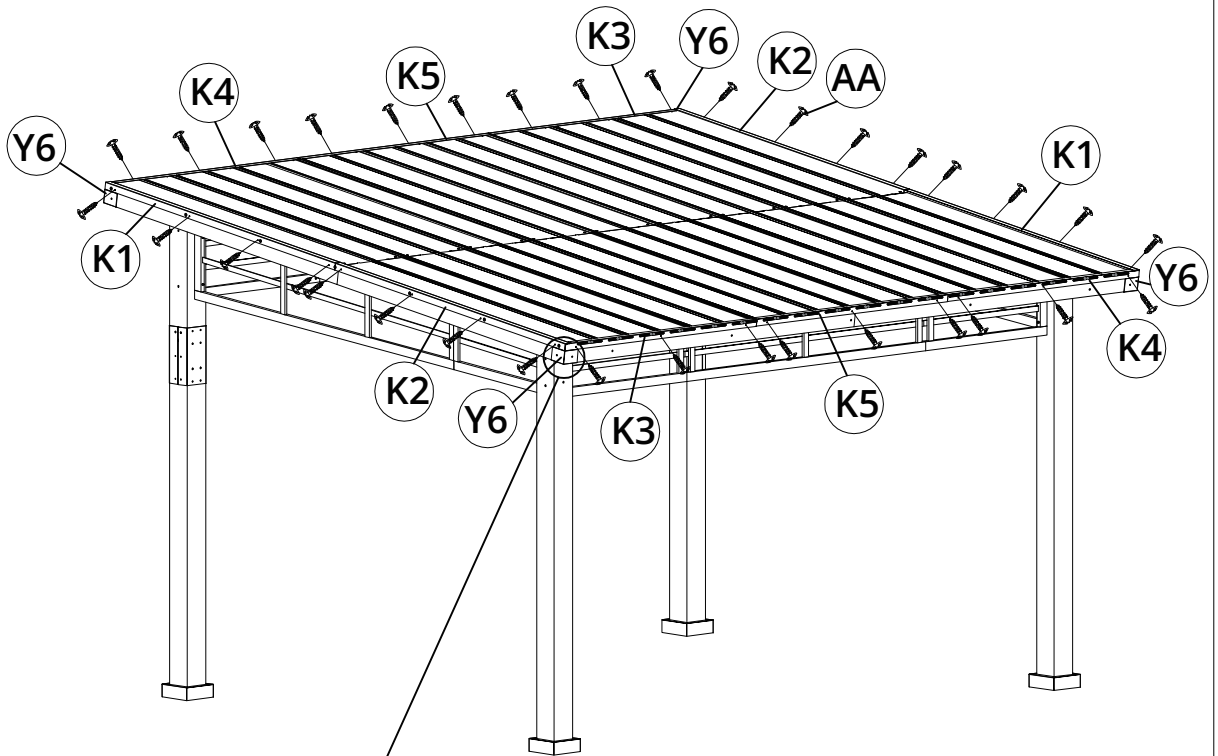
K2 2x



K3 2x



K4 2x



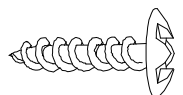
K5 2x



Y6 4x

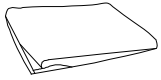


AA 42x

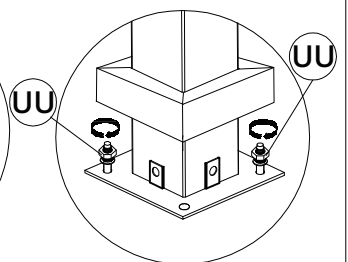
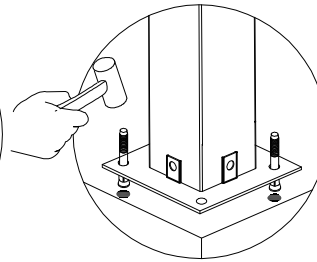
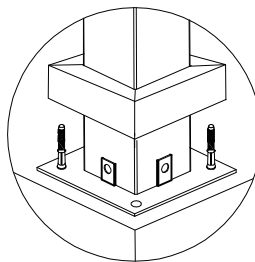
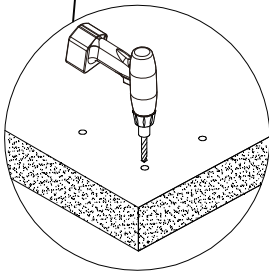
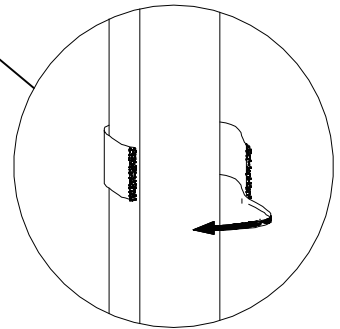
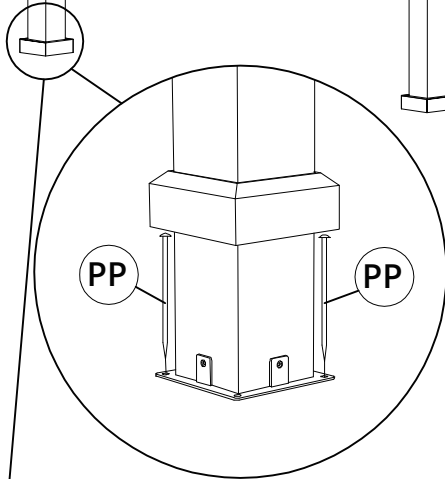
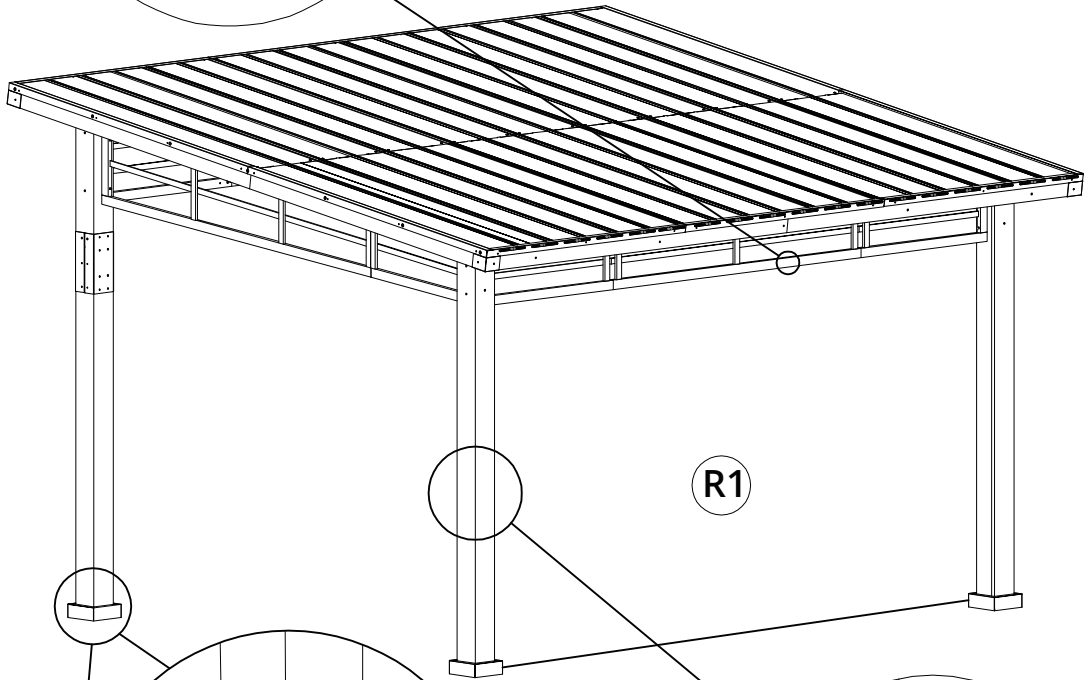
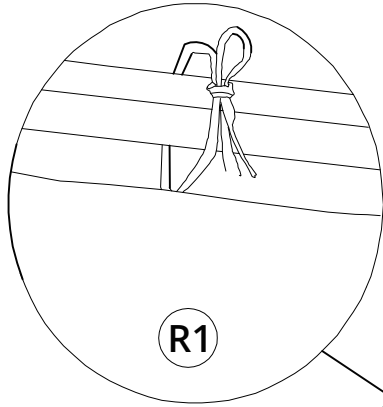


M5x15

16

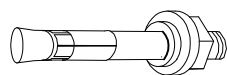


R1 1x



UU 8x

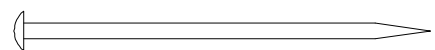
Expansion Screw
For Concrete Floor



M6X80

PP 8x

Nail For Lawn



D8X180