

# Assembly Instructions

## Accent Chair

Important safety instructions:

- Thanks for your purchasing this product, please read carefully instruction before assembly.

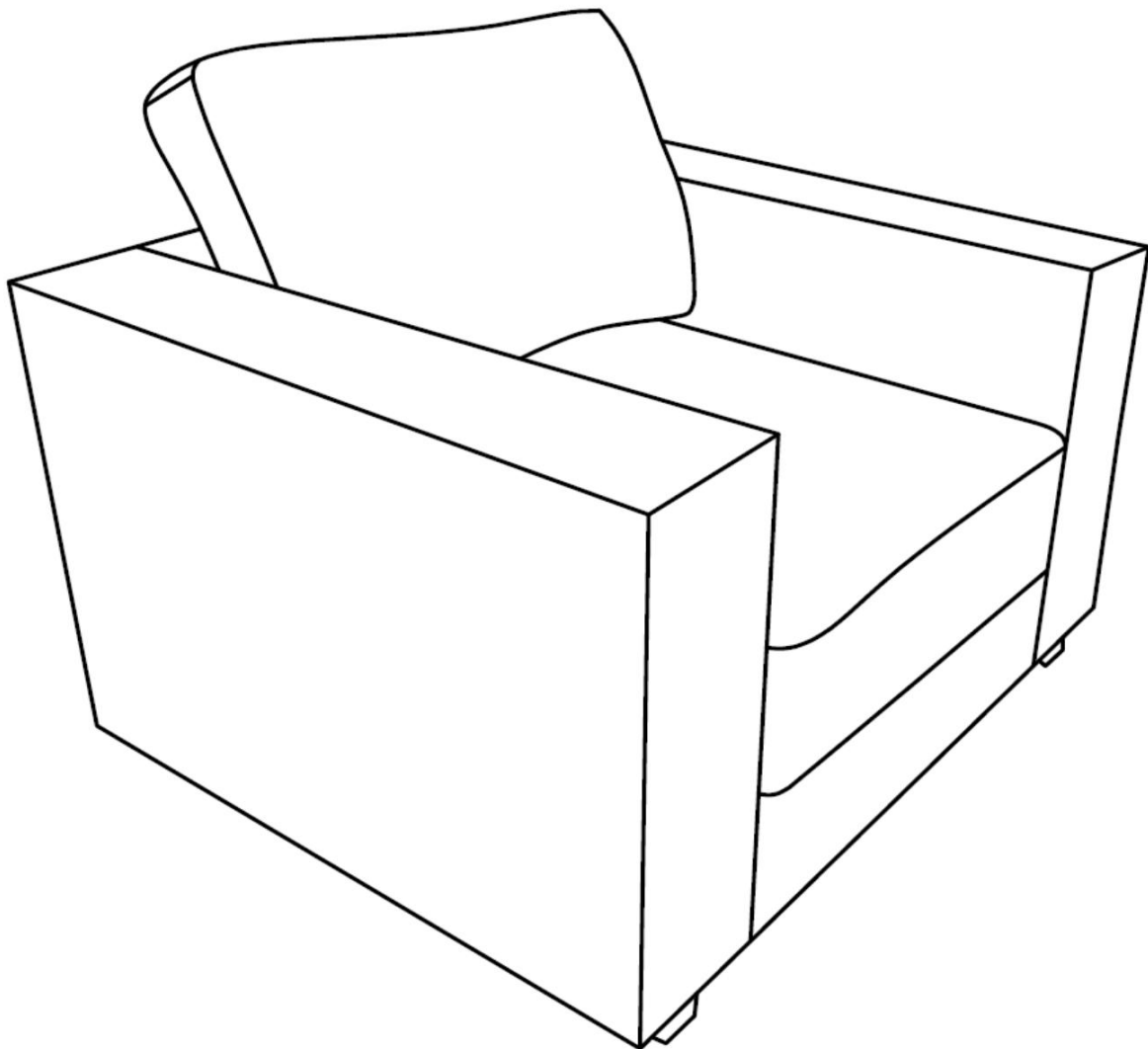
- For your safety and ease, assembly by two or more adults is recommended.

Keep instructions for future use.

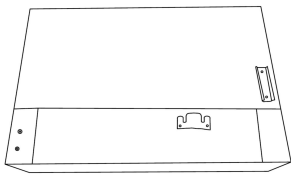
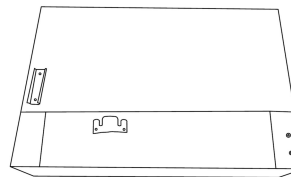

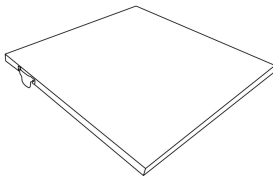
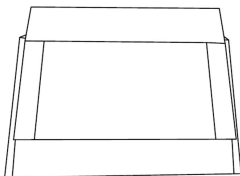
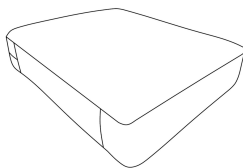
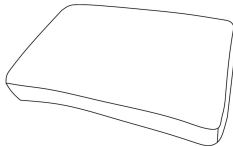

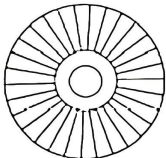

Pre-assembly:

- Do not discard any content until assembly is complete to avoid accident tally discarding parts or hardware.

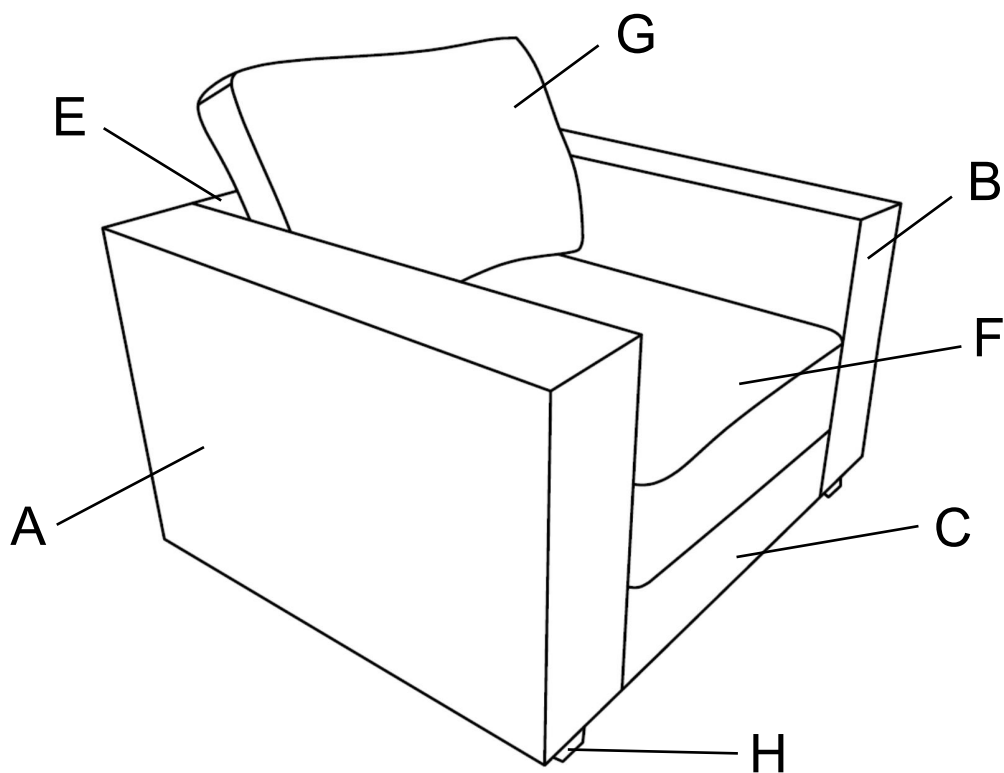
- Take out all parts and hardware from box and place them on a clean, soft and smooth surface.



# Parts List

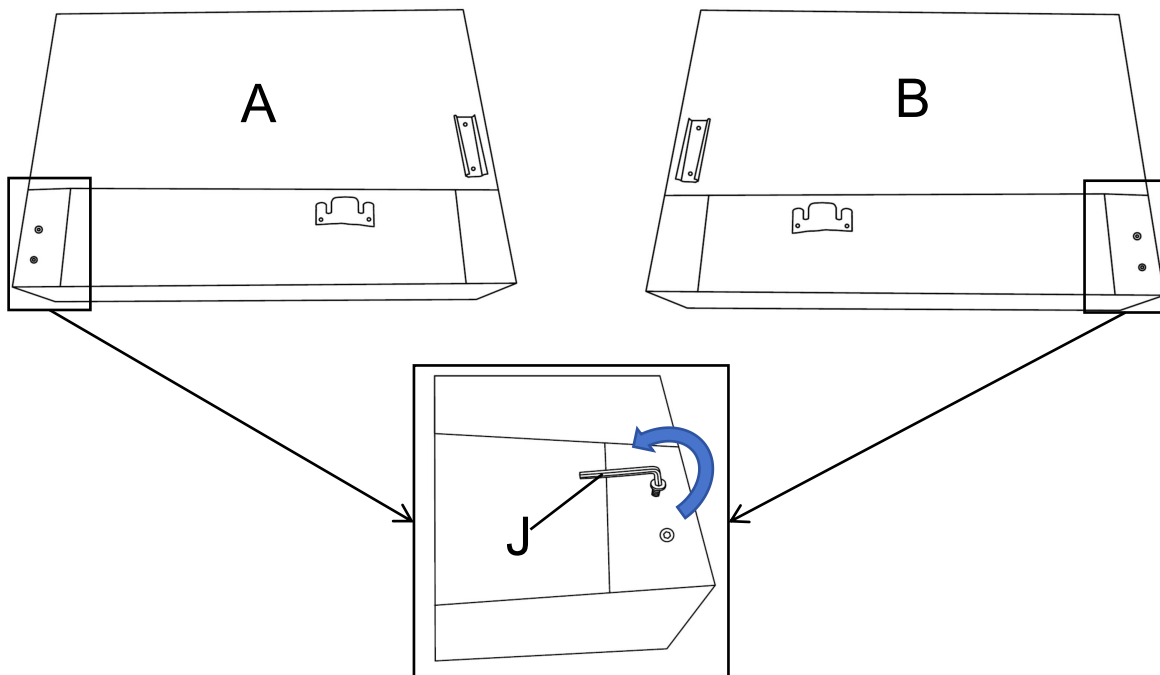
<p>Ax1</p> 	<p>Bx1</p> 	<p>Cx1</p> 	<p>Dx1</p> 
<p>LEFT ARM</p>	<p>RIGHT ARM</p>	<p>FRONT SEAT PANEL</p>	<p>SEAT BASE</p>
<p>Ex1</p> 	<p>Fx1</p> 	<p>Gx1</p> 	<p>Hx4</p> 
<p>BACK FRAME</p>	<p>SEAT CUSHION</p>	<p>BACK CUSHION</p>	<p>WOODEN LEG</p>
<p>Ix7</p> 	<p>Jx1</p> 		
<p>WASHER</p>	<p>ALLEN WRENCH</p>		

## OVERVIEW:

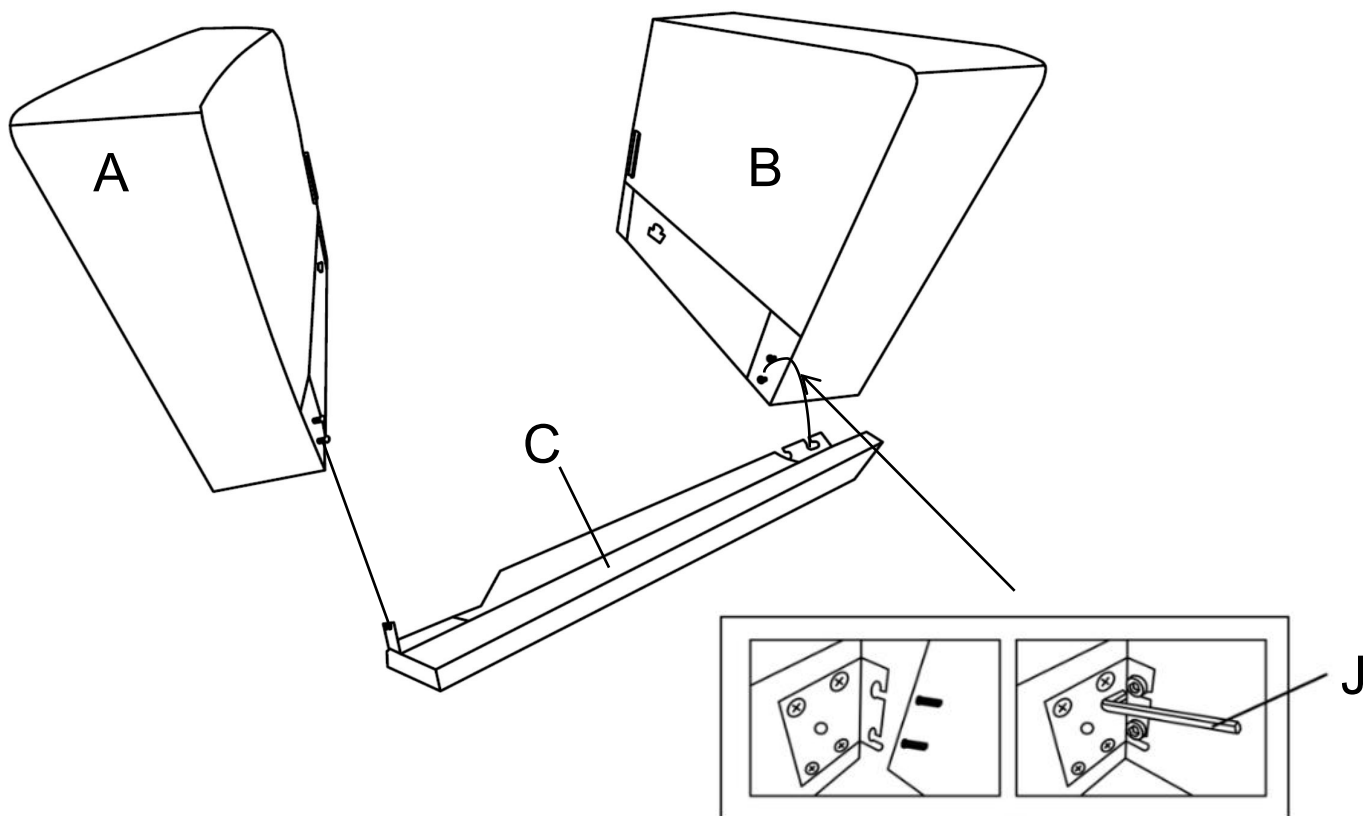


# Assembly Steps:

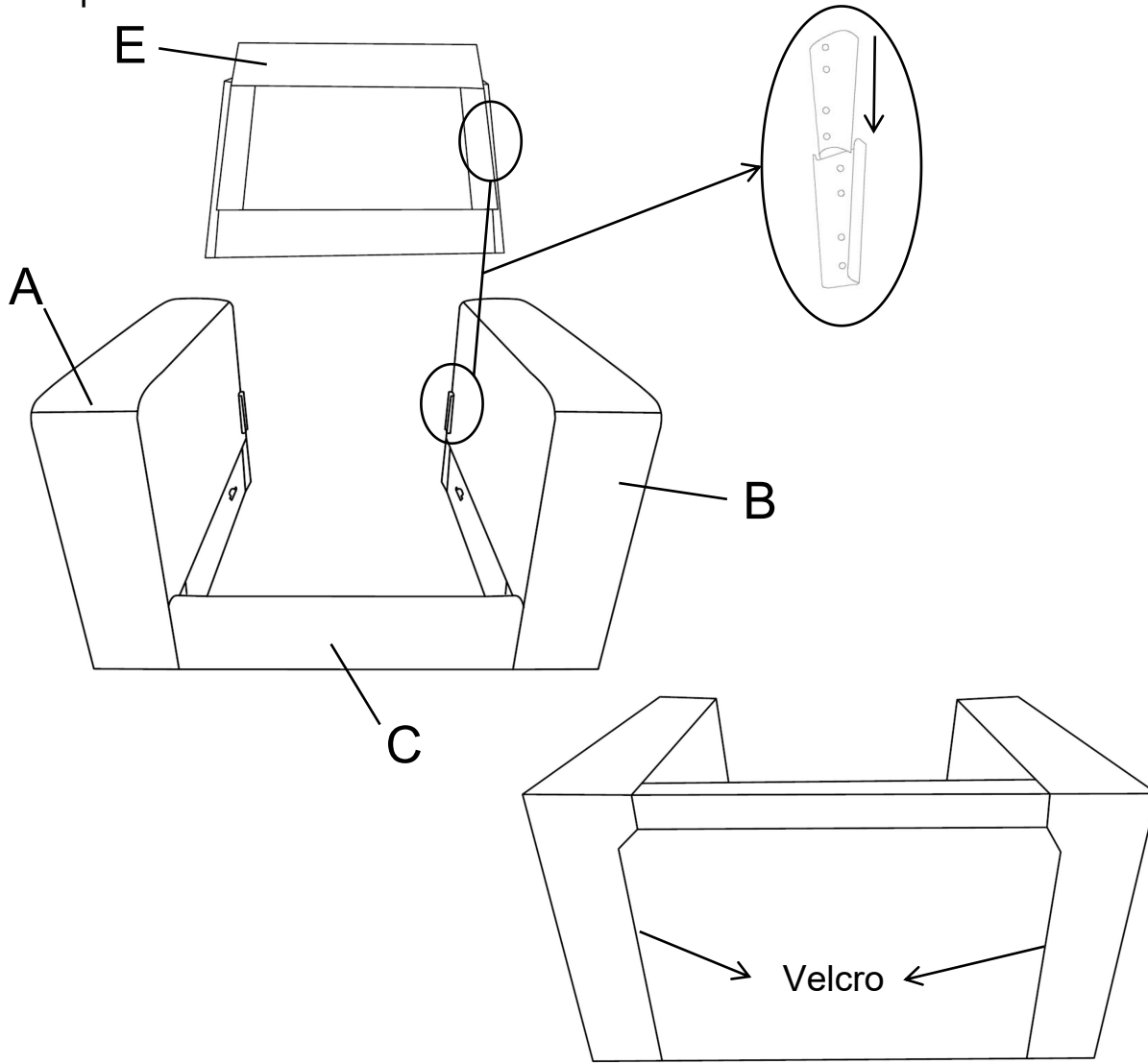
Step 1: Rotate counterclockwise the Bolt assembled on **Left Arm(A)** and **Right Arm(B)** of about 15mm out with **Allen Wrench(J)** if necessary.



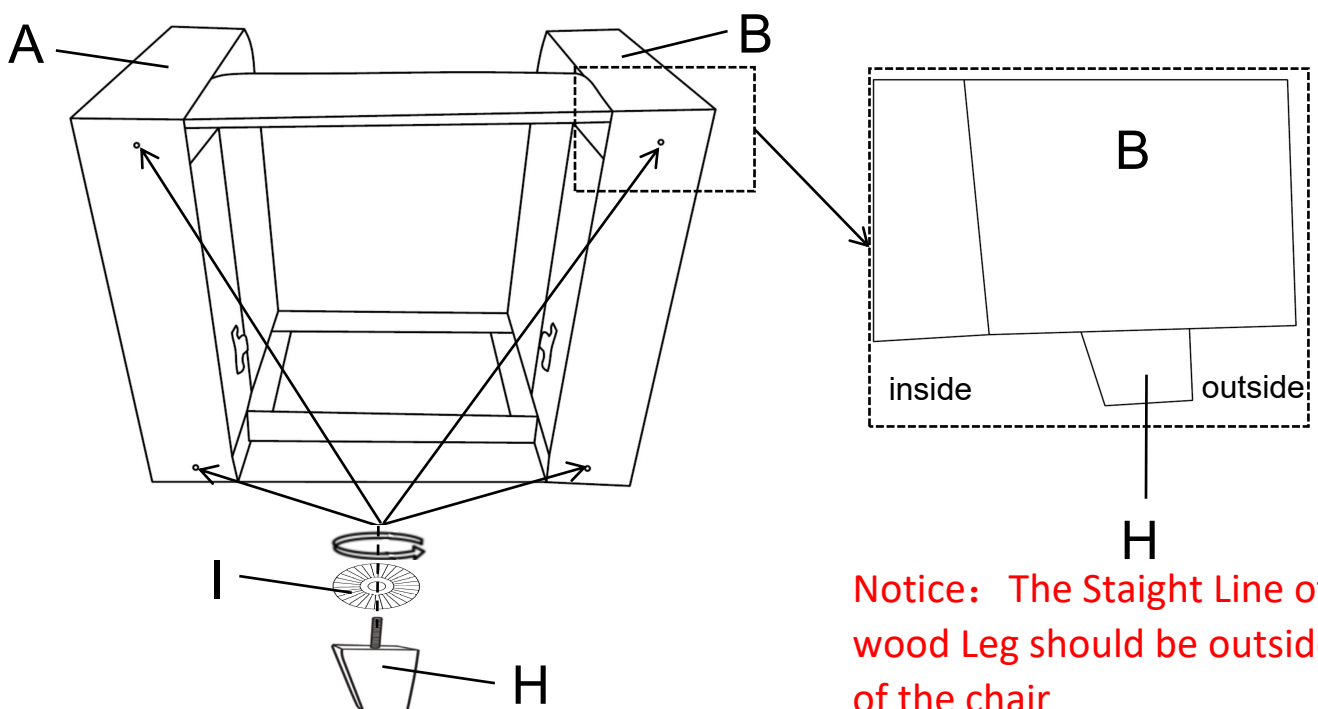
Step 2: Connect the Front **Seat Panel(C)** with **Left Arm(A)** and **Right Arm(B)** together and then secured with **Allen wrench(J)**



Step 3: Assembly **Back Frame(E)** with **Left Arm(A)** and **Right Arm(B)**  
Then put on the backrest cover and secured with Velcro.

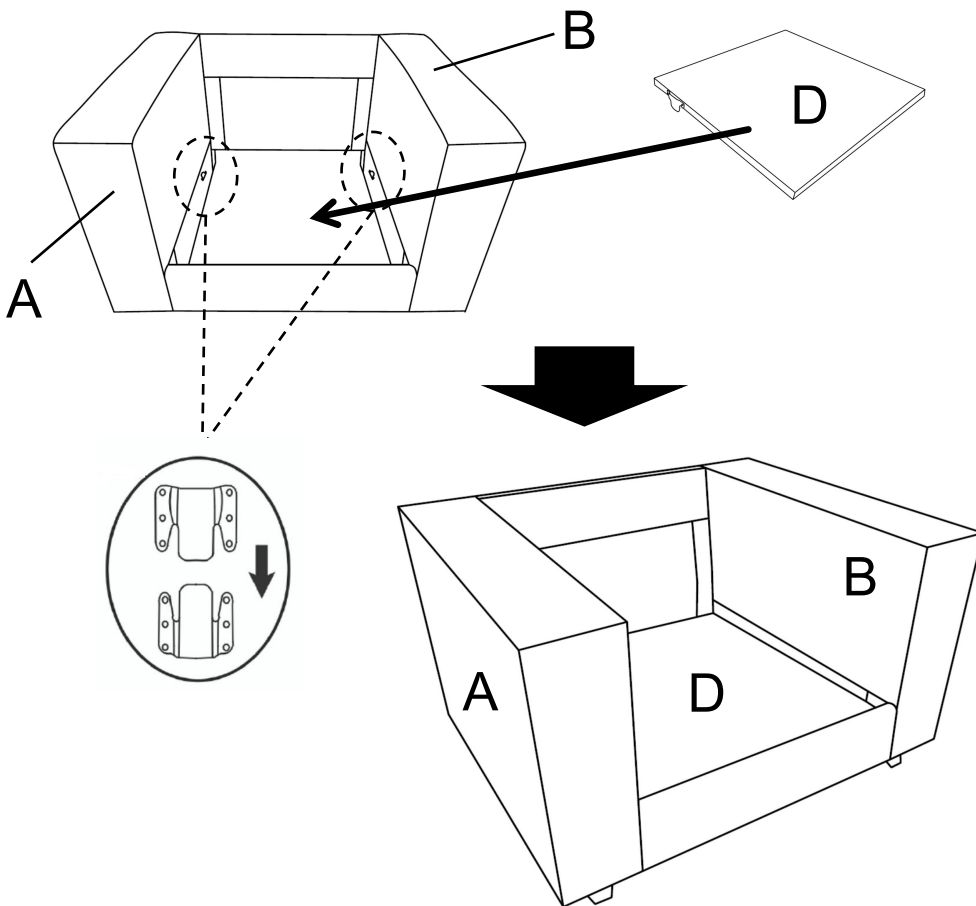


Step 4: Assemble the **Legs (H)** on the **Left Arm(A)** and **Right Arm(B)**.

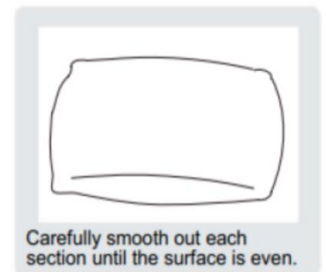
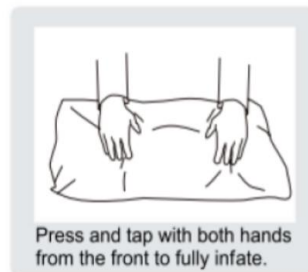


**Notice:** The Straight Line of wood Leg should be outside of the chair

Step 5: Insert the **Seat Frame (D)** into the latch of the **Left Arm(A)** and **Right Arm(B)**

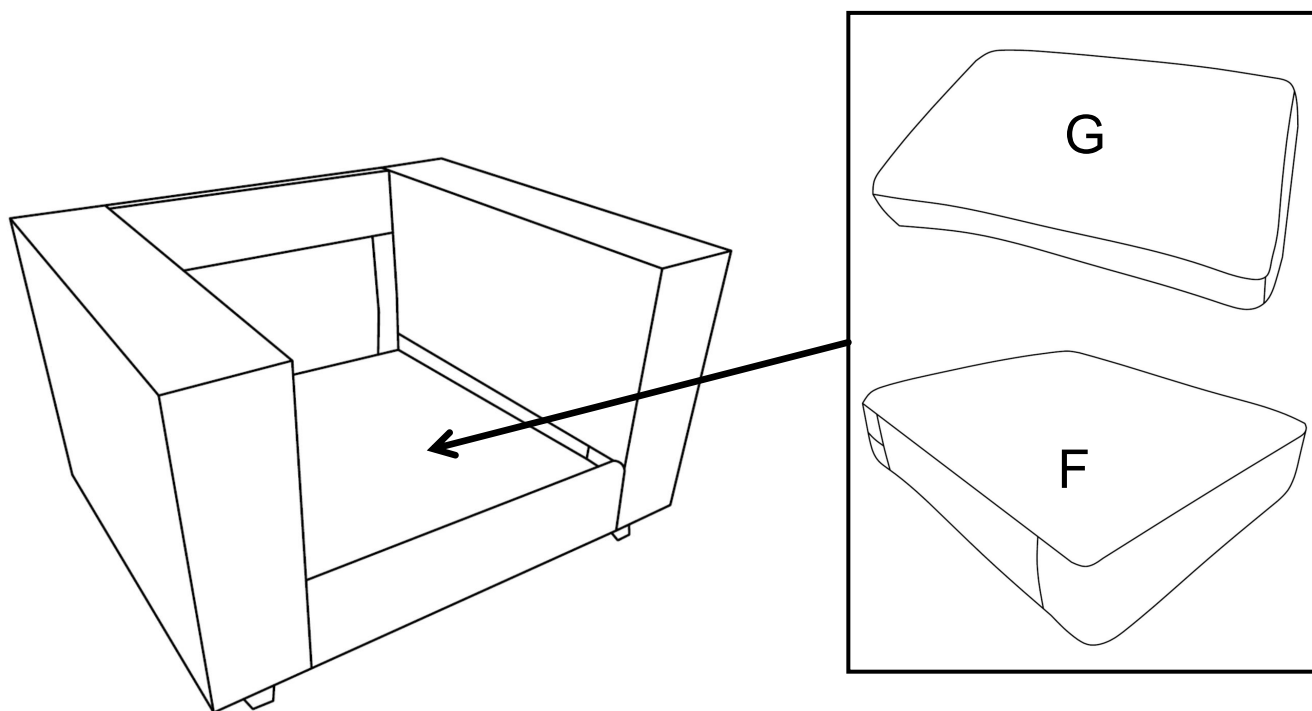


Step 6: Open the vacuum bag and take the cushions(F/G) out.  
To restore the original shape, follow the steps below.



After packing up, place them in somewhere dry and venslated. After about 72-96 hours. It can be restored to the best use condition.

Step 7: Put the **Seat Cushion(F)**, **Back Cushion(G)** on the assembled Chair Frame



Step 8: Completely. Enjoy Your Chair !

