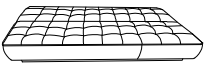
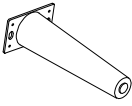
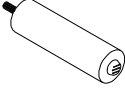
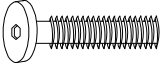
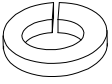
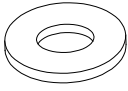

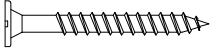
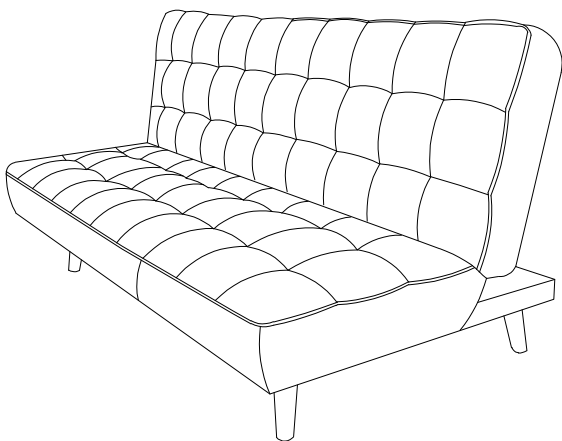


# ASSEMBLY INSTRUCTIONS

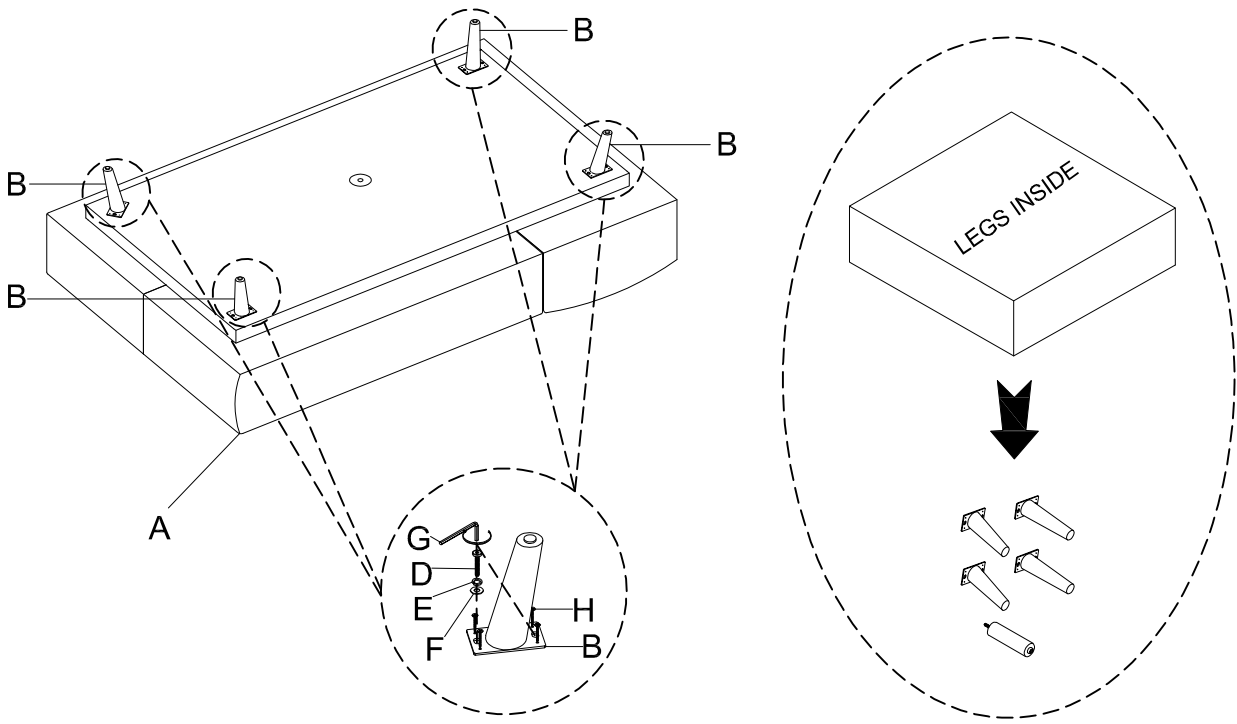
## LOUNGER

<b>A</b> Seat	<b>B</b> Leg	<b>C</b> Center Leg	<b>D</b> Bolt 5/16" x 1"
			
1 pc	4 pcs	1 pc	8 pcs
<b>E</b> Spring Washer 5/16" x 33/64"	<b>F</b> Flat Washer 5/16" x 3/4"	<b>G</b> Allen Key 13/64" x 2 9/16"	<b>H</b> Screw 5/32" x 25/32"
			
8 pcs	8 pcs	1 pc	16 pcs

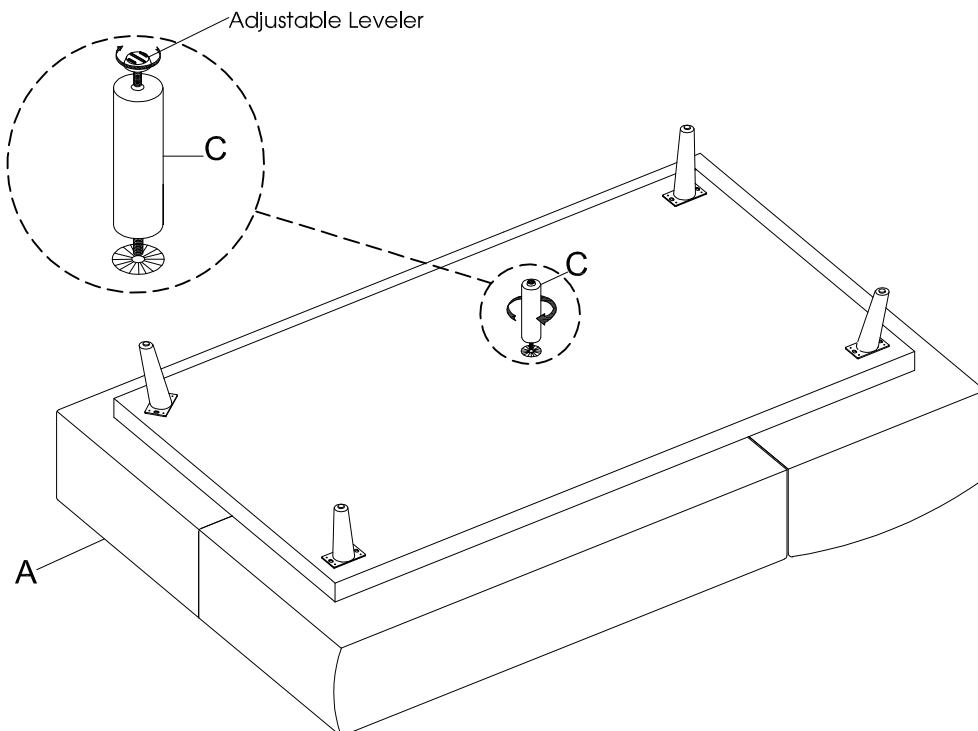


This page lists all the contents included in the box. Please take the time to identify the hardware as well as the individual components to this product. As you unpack and prepare for assembly, place the contents on a carpeted or padded area to protect them from damage.

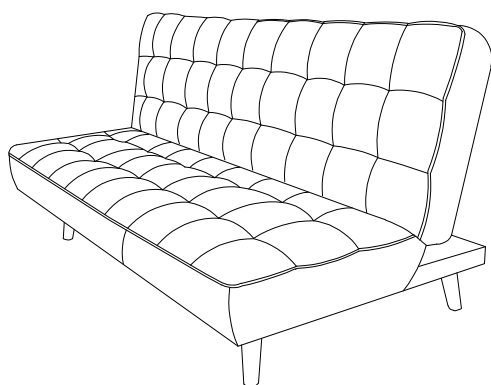
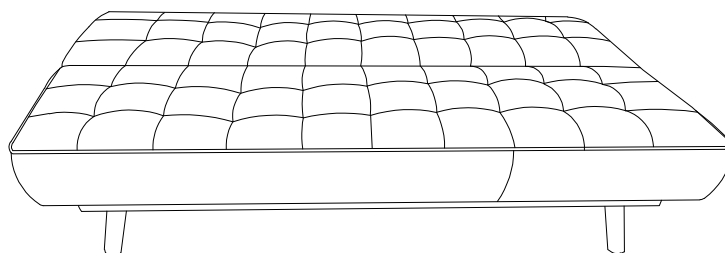
- 1** Take out the Leg (B & C) from the box. Place the Seat (A) upside down on a carpeted or padded surface. Attach the Leg (B) to the Seat (A) using Bolt (D), Spring Washer (E) and Flat Washer (F) for the middle holes with the Allen Key (G), and Screw (H) for the corner holes with a screwdriver (not provided).



- 2** Attach the Center Leg (C) to the Seat (A) by turning it clockwise.

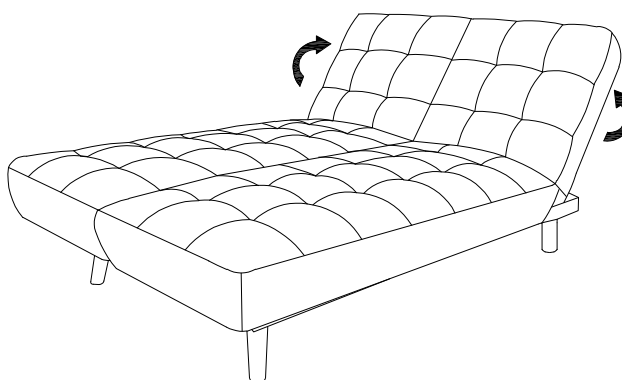


**3** Stand the lounger upright. Lift or lower the back rest or side rest to switch between bed and lounger styles.



Lift up the back rest to adjust the angle as a lounger.

\*There are three angles for the back rest.



Lift up the side rest to adjust the angle as a lounger.

\*There are five angles for the side rest.

---

## Cleaning & Care

Treat surfaces with care. Surfaces are resistant to scratches but are not scratch resistant. Clean surfaces with a dry or damp soft cloth. Do not use abrasive cleaners. Hardware may loosen over time. Periodically check that all connections are tight.