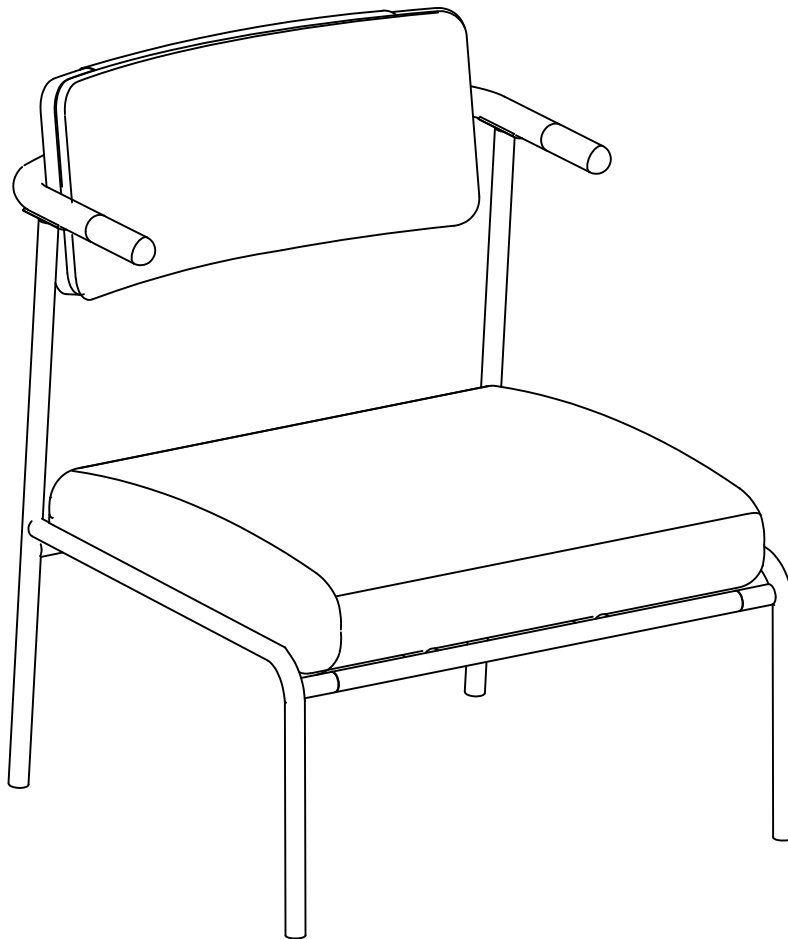

60800 Assembly Manual

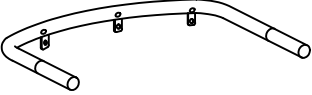

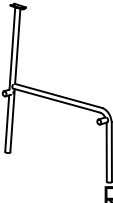
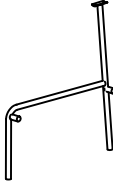
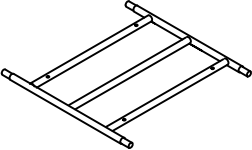
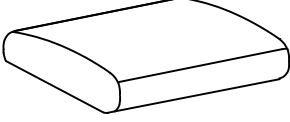
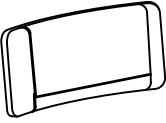
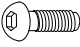
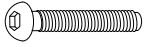
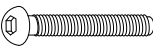


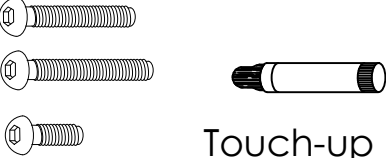
Accent Chair



CAUTION

THIS ASSEMBLY MANUAL CONTAINS IMPORTANT SAFETY INFORMATION.

PLEASE READ AND KEEP FOR FUTURE REFERENCE.

<p>A X 1</p>  <p>Metal Back Bracket</p>	<p>B X 1</p>  <p>Wood Back Panel</p>	<p>C X 1</p>  <p>Right Leg</p>
<p>D X 1</p>  <p>Left Leg</p>	<p>E X 1</p>  <p>Bottom Metal Frame</p>	<p>F X 1</p>  <p>Seat Cushion</p>
<p>G X 1</p>  <p>Back Pad</p>	<p>H X 15</p>  <p>Bolt (φ1/4" x 15mm)</p>	<p>I X 3</p>  <p>Bolt (φ1/4" x 35mm)</p>
<p>J X 4</p>  <p>Bolt (φ1/4" x 40mm)</p>	<p>k X 4</p>  <p>Felt Pad (φ 19mm)</p>	<p>L X 1</p>  <p>Allen Wrench (M4)</p>
<p>Extra Hardware</p>  <p>Touch-up Pen</p>		

Please read through the instructions below to familiarize yourself with the parts and steps before assembly.

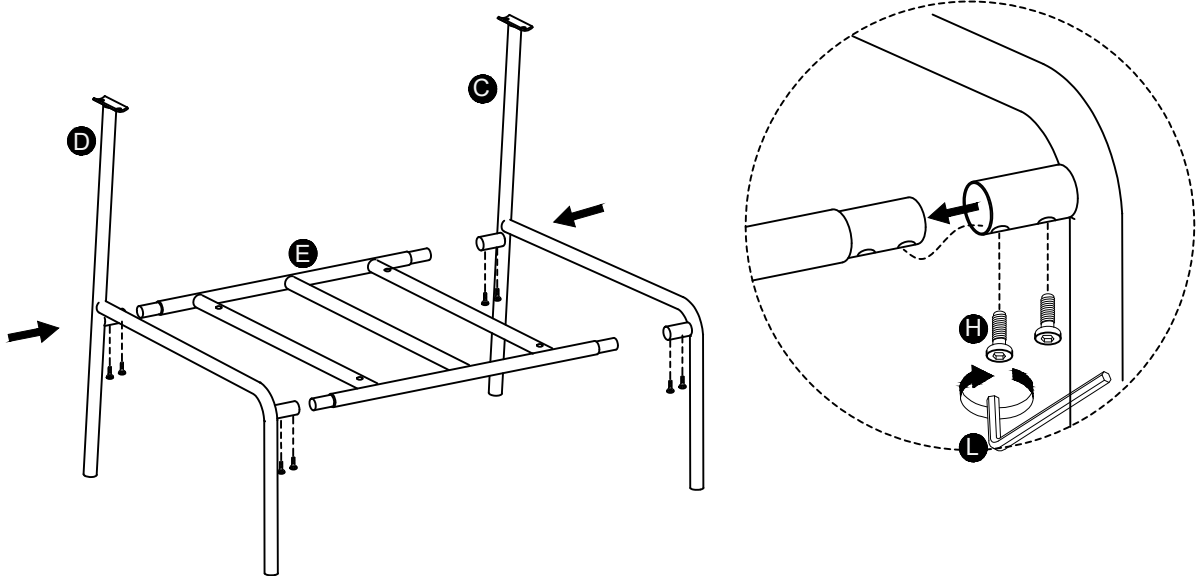
Make sure all parts and hardware are present before assembly.

Note: Do NOT use power tools for assembly.

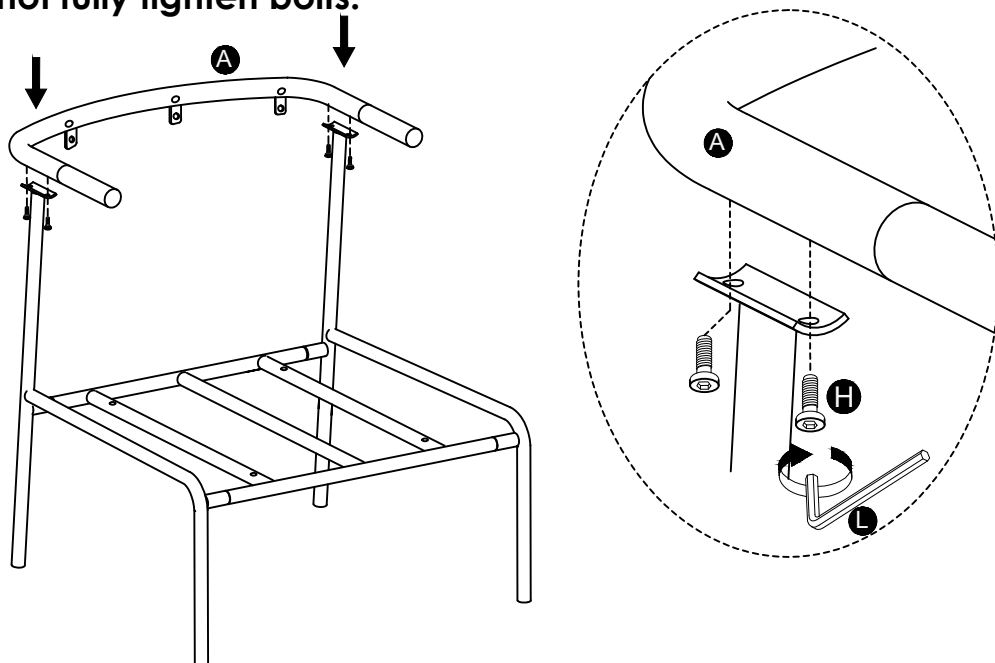
ASSEMBLY INSTRUCTIONS

Note: Assemble on a soft and smooth surface to prevent damage to product finish. Do not overtighten bolts to avoid stripping.

- 1 Connect Leg (C), Leg (D) and Bottom Metal Frame (E) together. Using Bolts (H) and Allen Wrench (L). Note: Do not fully tighten bolts.

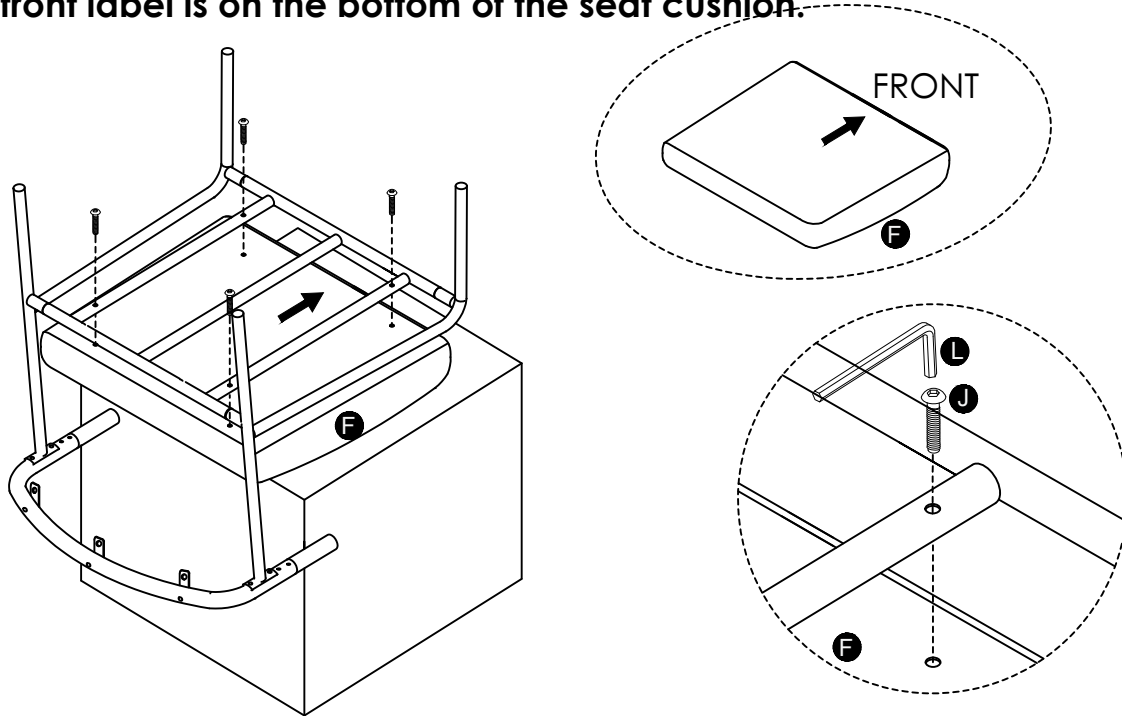


- 2 Attach Metal Back Bracket (A) to assembled metal base in Step 1, using Bolt (H) and Allen Wrench (L).
Note: Do not fully tighten bolts.



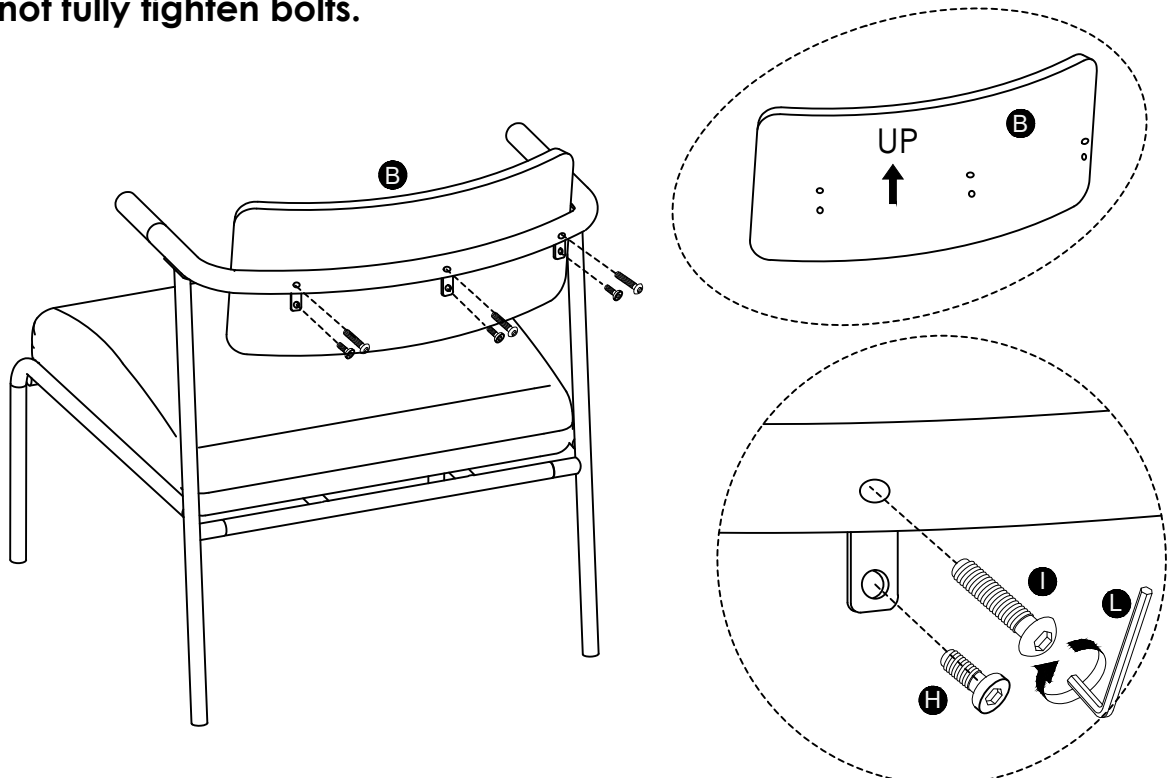
- 3** Attach Seat Cushion (F) to assembled metal frame in Step 2, using Bolts (J) and Allen Wrench (L). Fully tighten.

Note: Please pay attention to the direction of the seat cushion. The front label is on the bottom of the seat cushion.

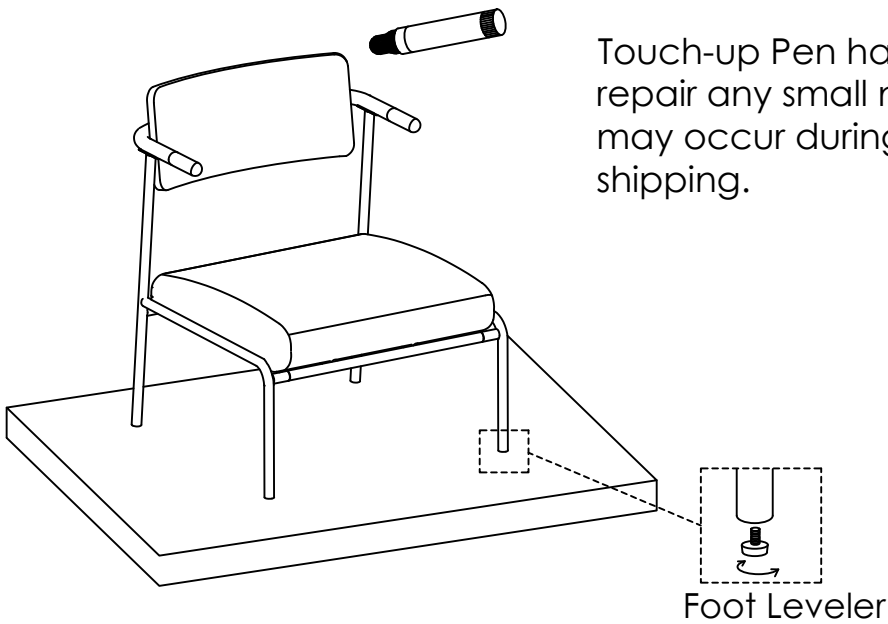


- 4** Attach Wood Back Panel (B), using Bolts (I), Bolts (H), and Allen Wrench (L). Do not fully tighten.

Note: Please pay attention to the direction of the Wood Back Panel (B). Do not fully tighten bolts.

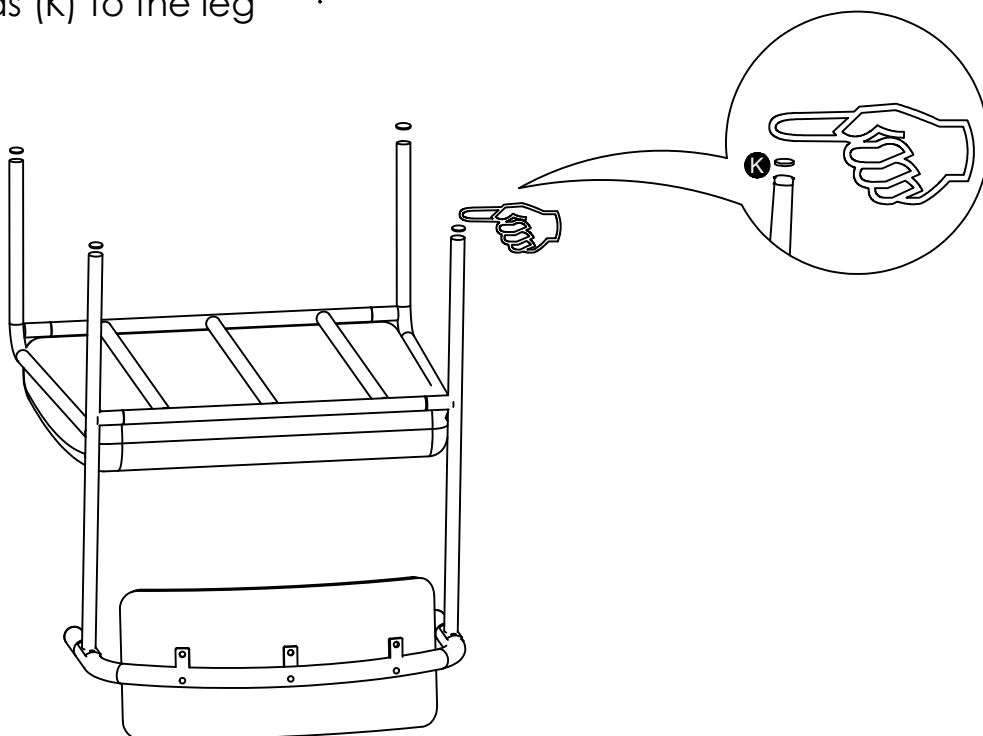


- 5** Put assembled chair on a flat surface. Push legs up or down as necessary to level. **Once level, tighten all bolts.**
Note: Each leg has an adjustable foot leveler to help level your chair.

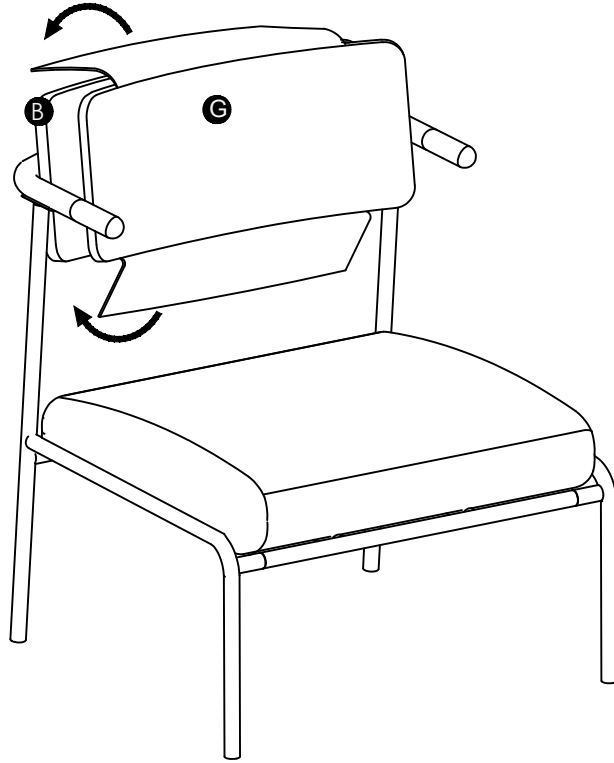


Touch-up Pen has been provided to repair any small nicks or scratches that may occur during assembly or shipping.

- 6** Complimentary Felt Pads (K) are included to help protect your floor or make the chair slide easier. If needed, attach the complimentary Felt Pads (K) to the leg



- 7** Complimentary Back Pad (G) is included. If you prefer an upholstered back, please attach the Back Pad (G) to the Wood Back Panel (B).



- 8** Assembly complete. Enjoy.

