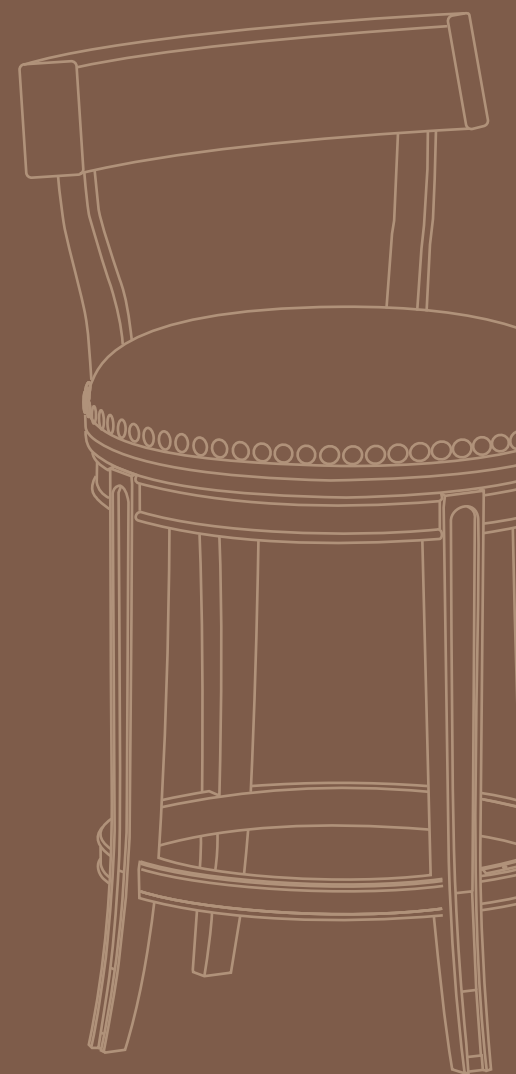




MFL



MAVENLANE.COM

Alexander Stool



## ABOUT US

As unique individuals, we all have our own ways of expressing ourselves. Through expression, we open doors to new opportunities and communicate to the world.

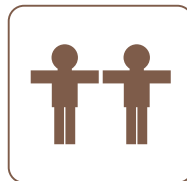
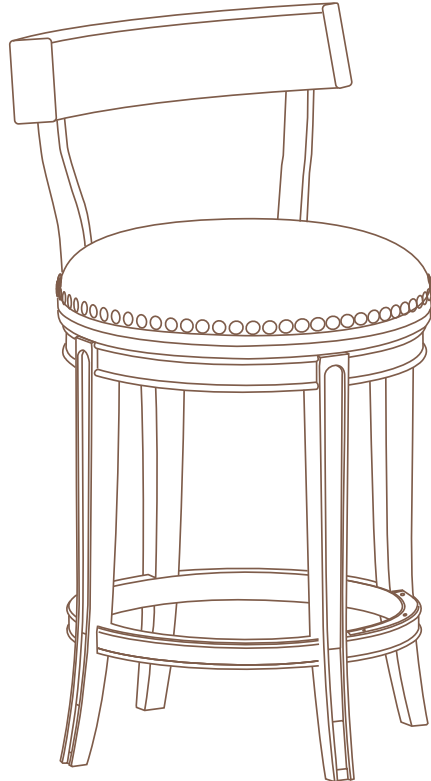
At Maven Lane, we understand the profound impact that home design can have on personal expression. Our homes serve as our nests, reflecting our individual styles, personalities, and values. They are the spaces where we create meaningful memories and moments of comfort and peace.

With this in mind, we set out to bring the finest in design, materials, and customer service directly to our customers, all at an attainable price point. Whether you're seeking to elevate your mornings with a cozy sanctuary or host laughter-filled dinners with loved ones, we are dedicated to helping you create a space that truly reflects who you are and what you aspire to be.

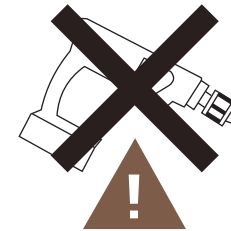


# ALEXANDER STOOL (COUNTER & BAR HEIGHT)

## ASSEMBLY INSTRUCTIONS



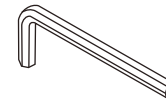
20 minutes



The use of power tools to assemble this product could lead to damage, making it unsafe

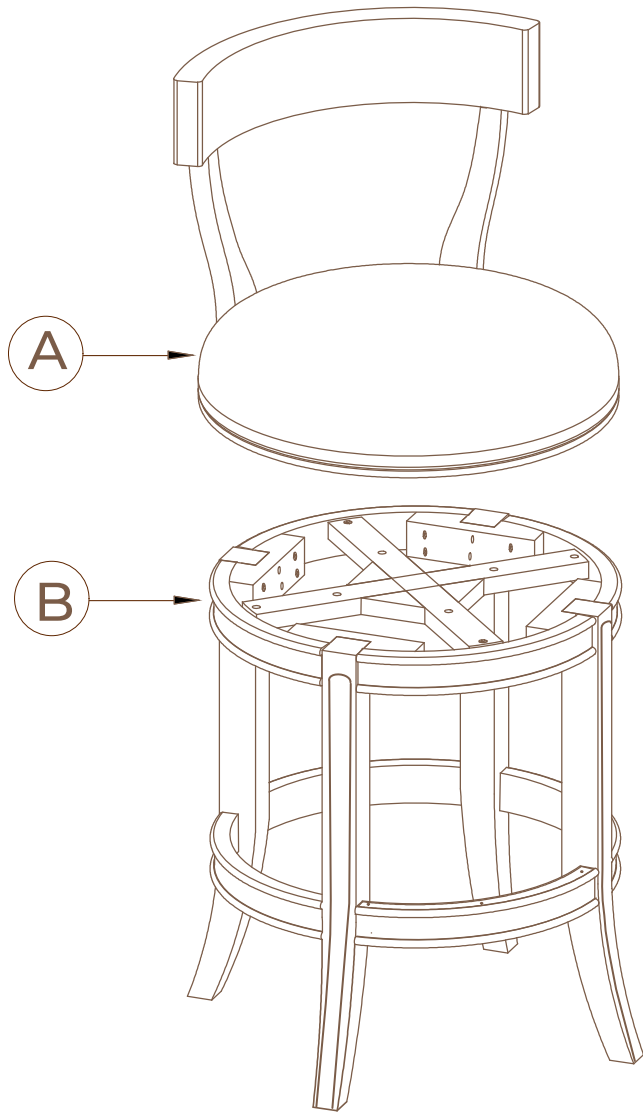
Please assemble on a clean, level surface to avoid damage and ensure proper assembly

### Tools Required



Allen Key  
(included)

# PARTS LIST



A



Qty 1

Stool Back with Seat

D



Qty 4

1/4"xØ9x1.5mm

B



Qty 1

Leg Frame

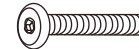
E



Qty 4

1/4"xØ16x1.5mm

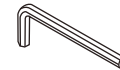
C



Qty 4

1/4"x35mm Bolt

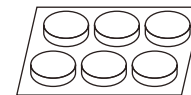
F



Qty 1

Allen Key

G



Felt Pads

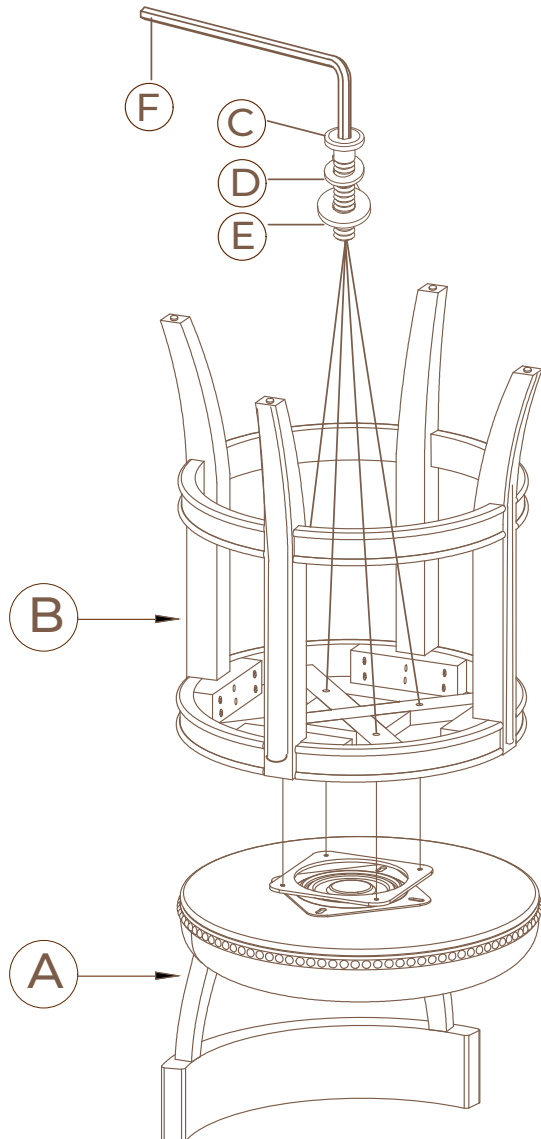
Scan for video instructions



# ASSEMBLY

## STEP 1

Place leg frame (B) onto the seat (A).  
Insert one leg frame B to seat A with bolts C, lock washers D and flat washers E using allen key F.



*note:  
please ensure that  
the metal foot rest  
on your stretcher is  
facing forward and  
toward the seat.*

## STEP 2: Felt Pad Application (optional)

1. Wipe any dust from the surface for best adhesion
2. Gently peel the felt pad from the paper
3. Firmly apply felt pad to the bottom

