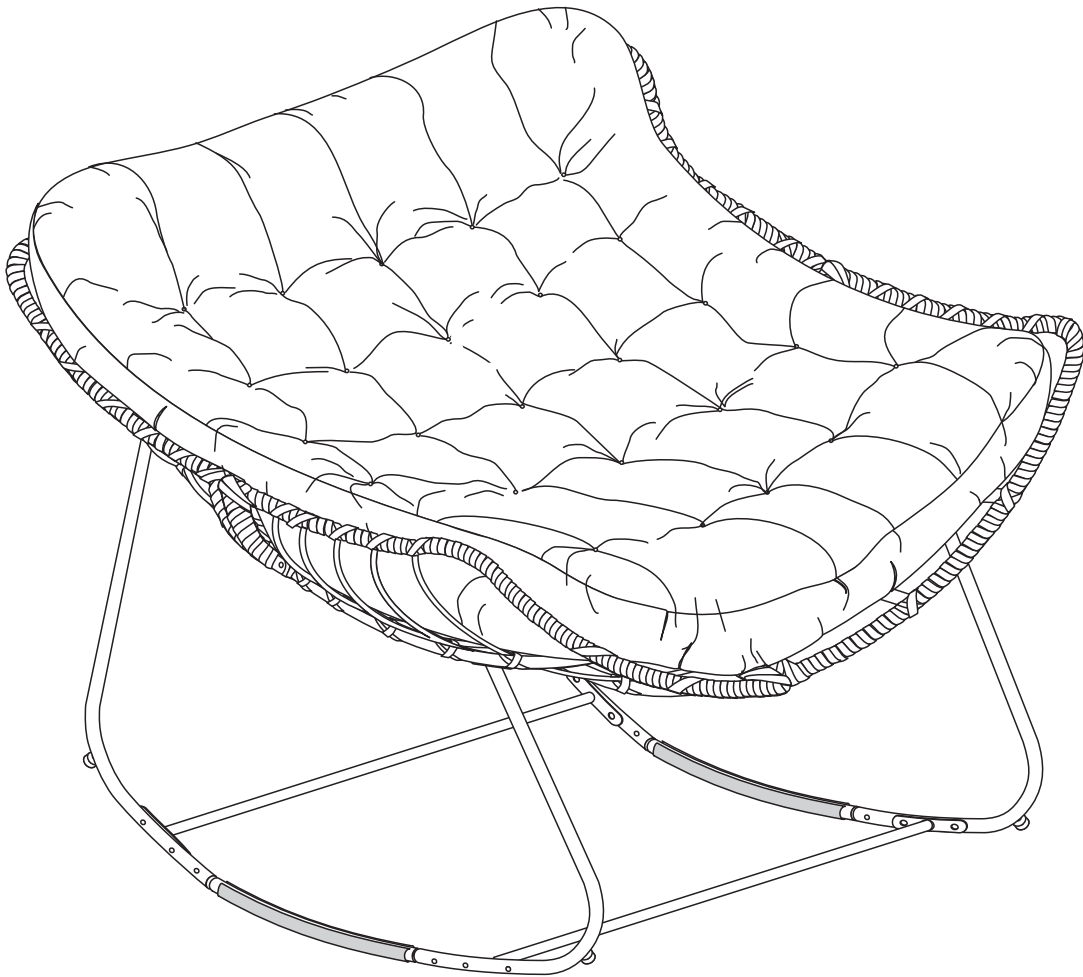

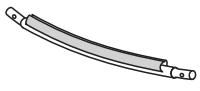


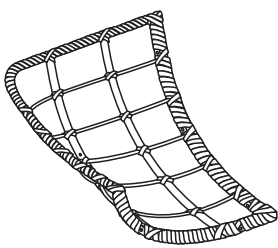
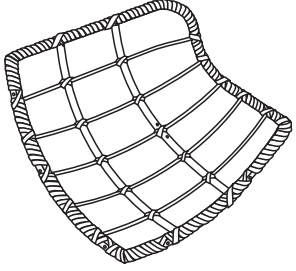
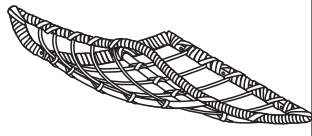
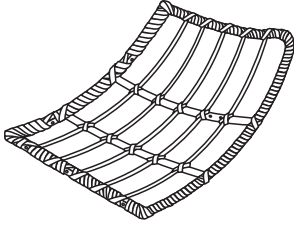
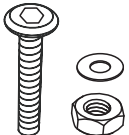
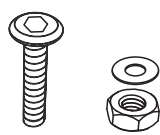

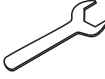
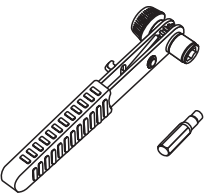


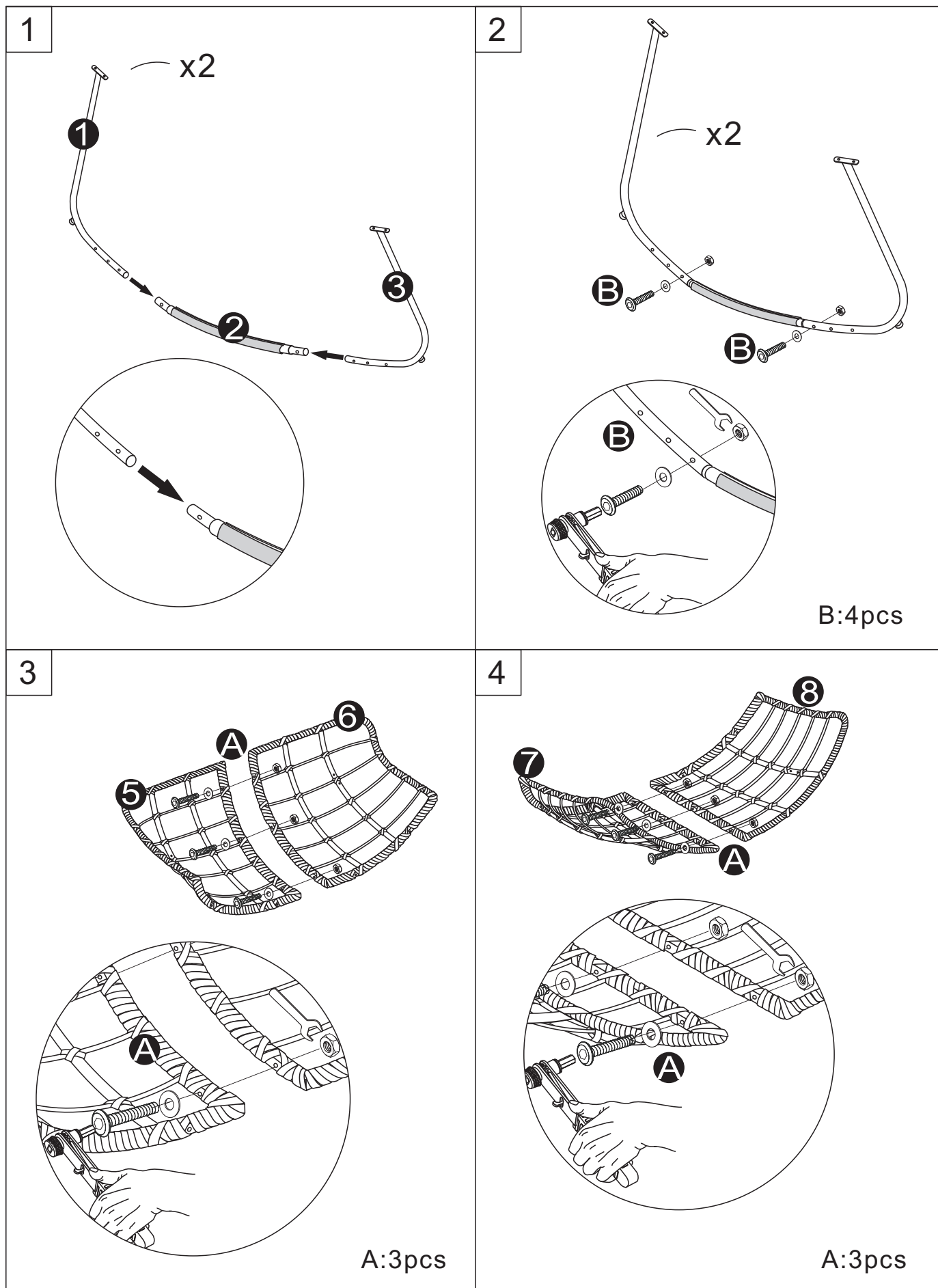
**EASY
ASSEMBLY**
Assemble in
25 minutes
or less

Rocking Chair

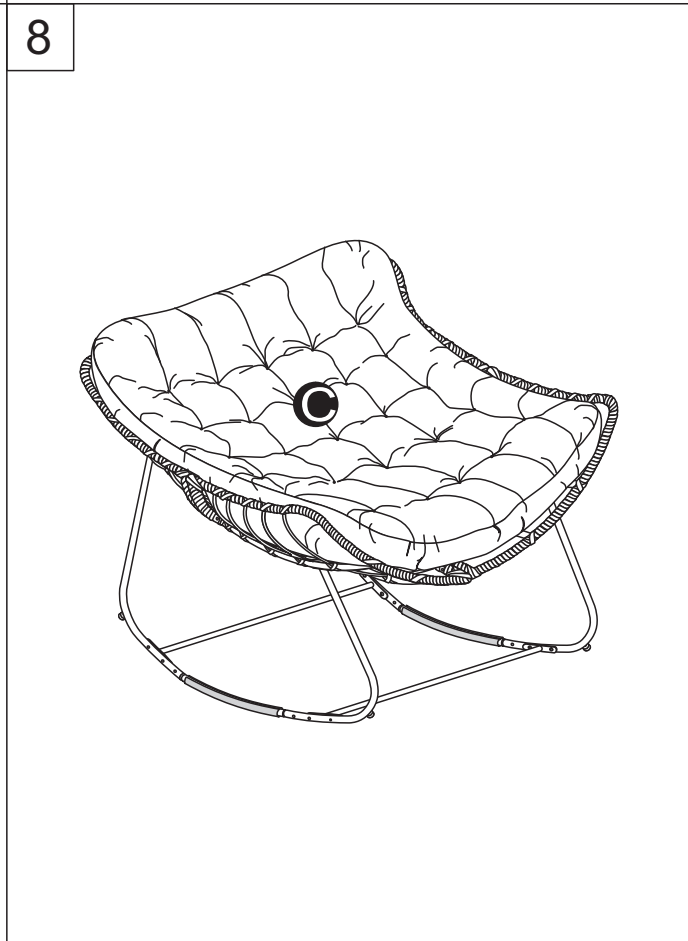
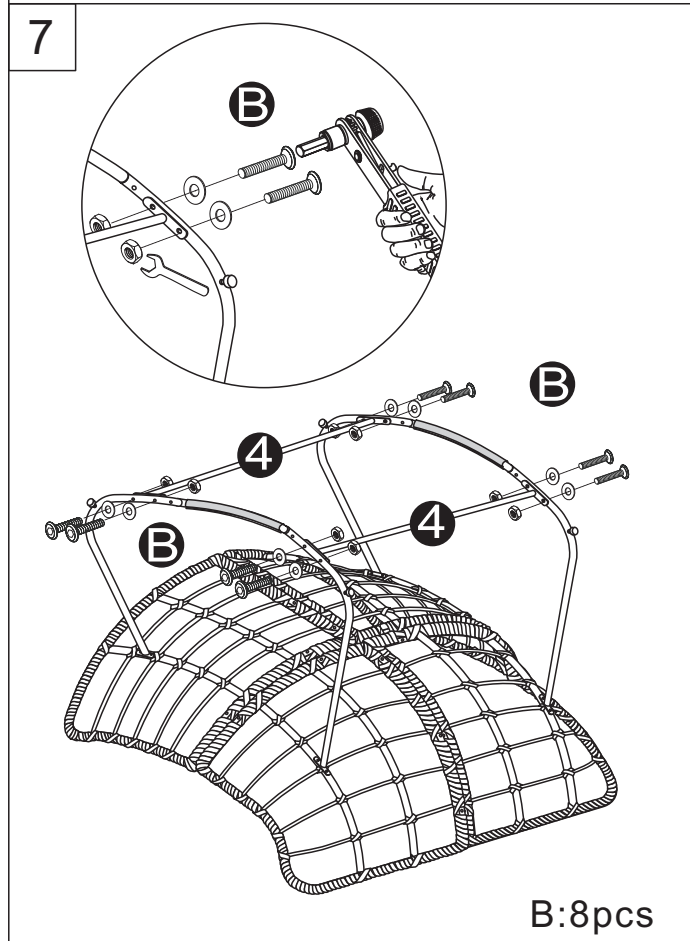
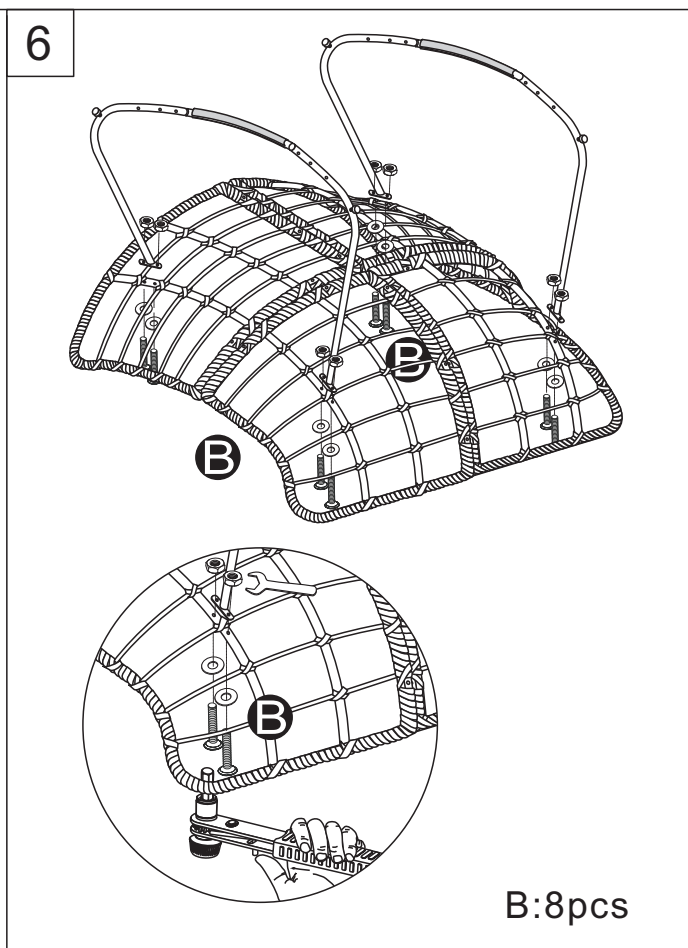
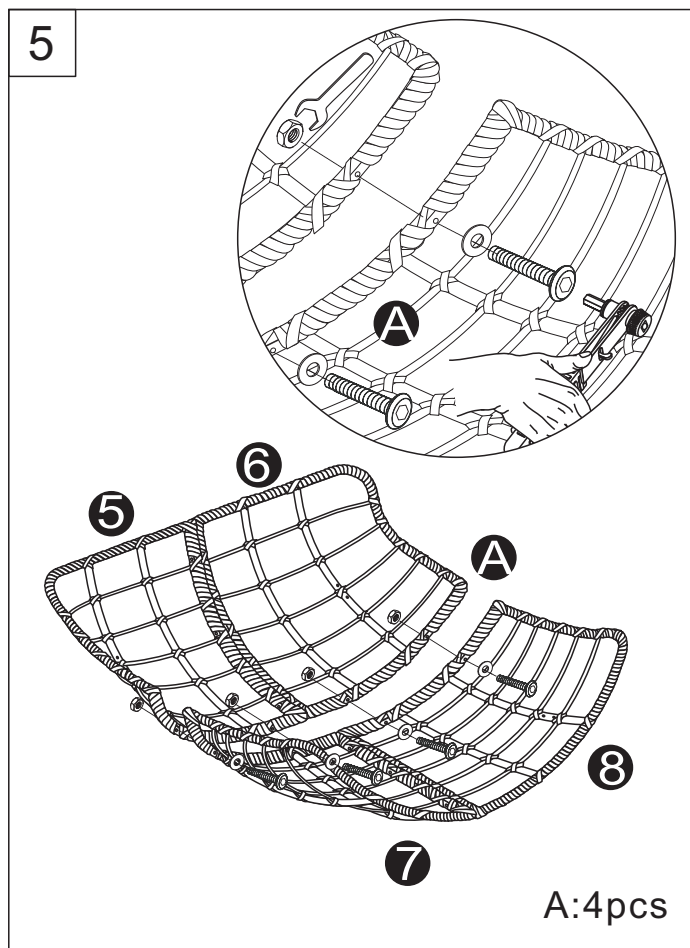


<p>1</p>  <p>2pcs</p>	<p>2</p>  <p>2pcs</p>	<p>3</p>  <p>2pcs</p>	<p>4</p>  <p>2pcs</p>
<p>5</p>  <p>1pcs</p>	<p>6</p>  <p>1pcs</p>	<p>7</p>  <p>1pcs</p>	<p>8</p>  <p>1pcs</p>
<p>A M6*60</p>  <p>10+1pcs</p>	<p>B M6*35</p>  <p>20+1pcs</p>	<p>C</p>  <p>1pcs</p>	<p>D</p>  <p>1pcs</p>
<p>E</p>  <p>1pcs</p>			

Notice: Install relevant screws, don't tighten completely at beginning
Alignment & Tighten fully when you complete the seat base section.



Notice: Install relevant screws, don't tighten completely at beginning Alignment & Tighten fully when you complete the seat base section.



Forward and reverse ratchet switch