












Caution : You must read this before you proceed

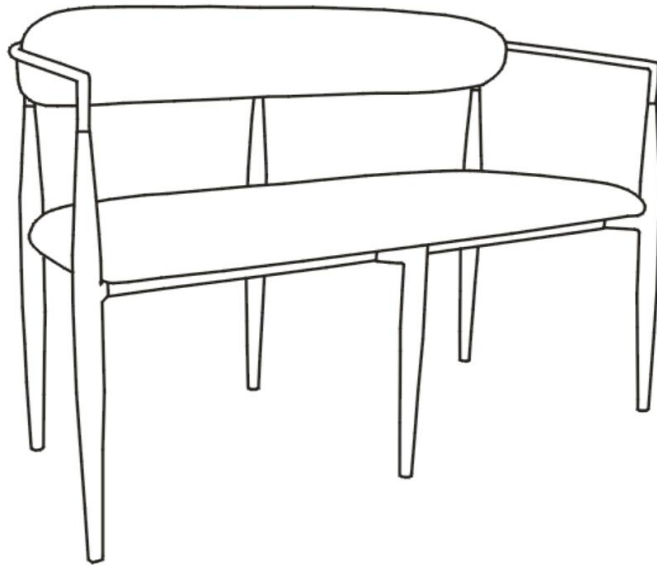
Care & Maintenance

- ⊘  ● Not for commercial use. For residential use only.
- ✓  ● Furniture may scratch floors. We recommend using furniture pads to protect your floors.
- ⊘  ● Do not put hot items directly on furniture surface.
- ⊘  ● Do not clean furniture with harsh cleansers or polish.
- ⊘  ● Do not place furniture under direct sunlight.
- ⊘  ● Do not place furniture near heating or cooling vents.
- ⊘  ● Do not write on furniture without a padded barrier to protect the surface.
- ⊘  ● Do not place furniture outside . For indoor use only.
- ⊘  ● Stains may be removed with mild soap solution and damp cloth.
- ⊘  ● Children should not climb or jump on the furniture.

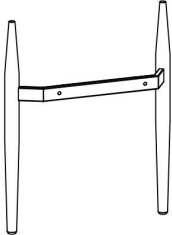
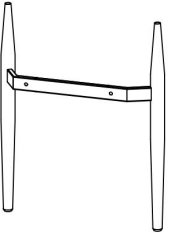


- ✓  ● Dust and pick-up spills using a clean, non-colored, lint-free cloth.

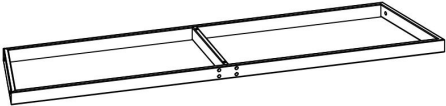
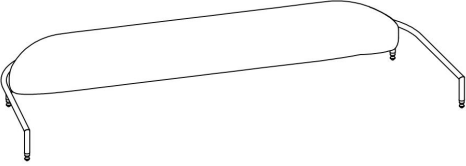
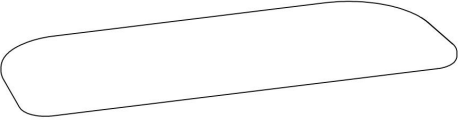
Please look into the Carton for hardware packs and legs.
Sets often ship in multiple boxes and may arrive a day or two apart.

Loveseat










Parts List

Label	Picture	Description	QTY
A		Left Leg	1
B		Right Leg	1
C		Middle-Hind Leg	1
D		Middle-Front Leg	1

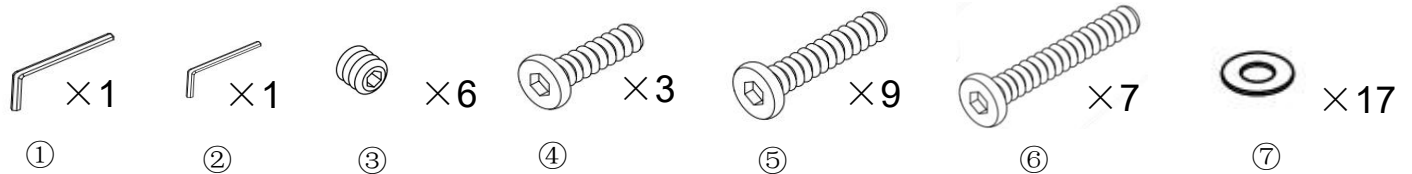
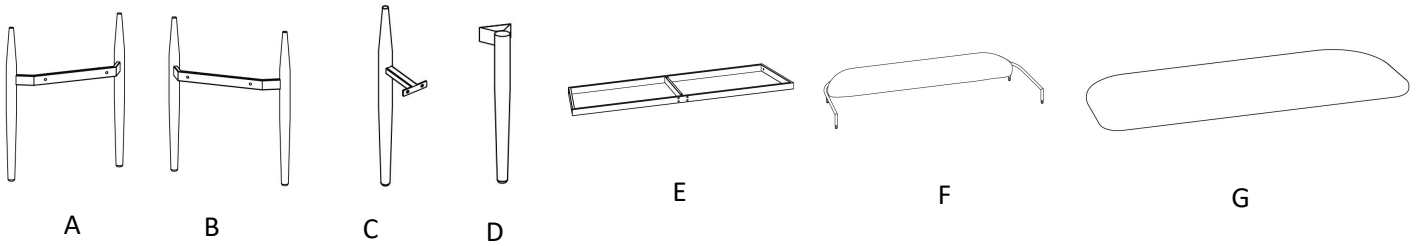
E		Legs Connection	1
F		Backrest	1
G		Seat Panel	1

Hardware

Label	Picture	Description	QTY
①	 4#	Allen Wrench 4#	1
②	 2#	Allen Wrench 2#	1
③		Bolt (M4*4MM)	6
④		Bolt (M6*13MM)	3
⑤		Bolt (M6*25MM)	9
⑥		Bolt (M6*50MM)	7
⑦		Washer	17

Assembly Preparation

Before Beginning Assembly:



- Read instructions, cover to cover-



- Have 2 adults on hand for assembly-



- Do not assemble on flooring or carpet-



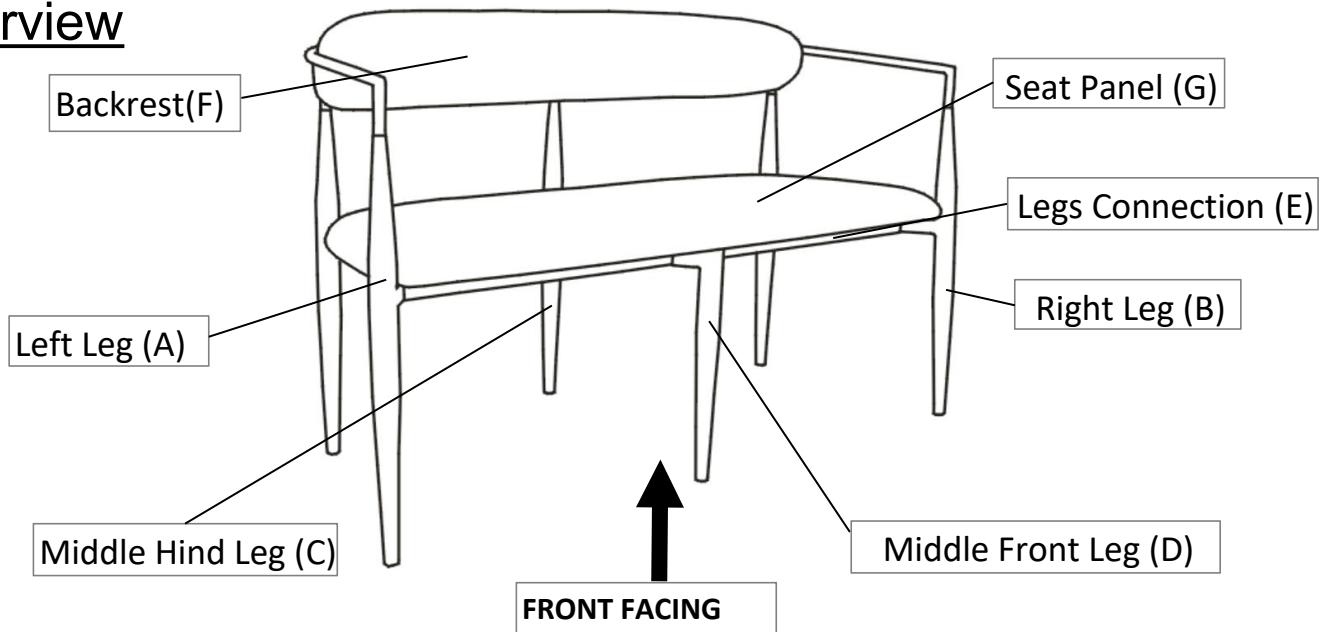
- Assemble on a clean non-marring surface (packing foam)-



- Save all packaging until finished-

Assembly Steps

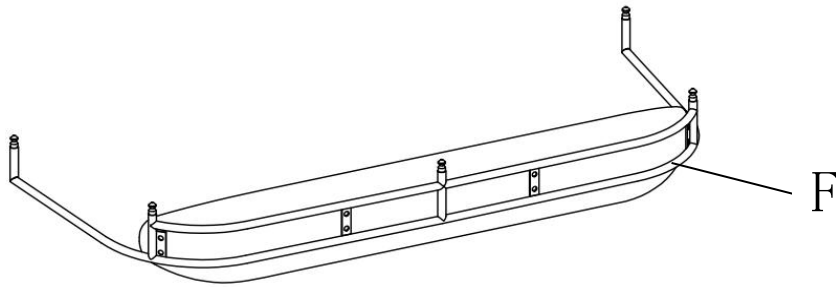
Overview



This Loveseat has multiple parts and may require up to 30 minutes to assemble.

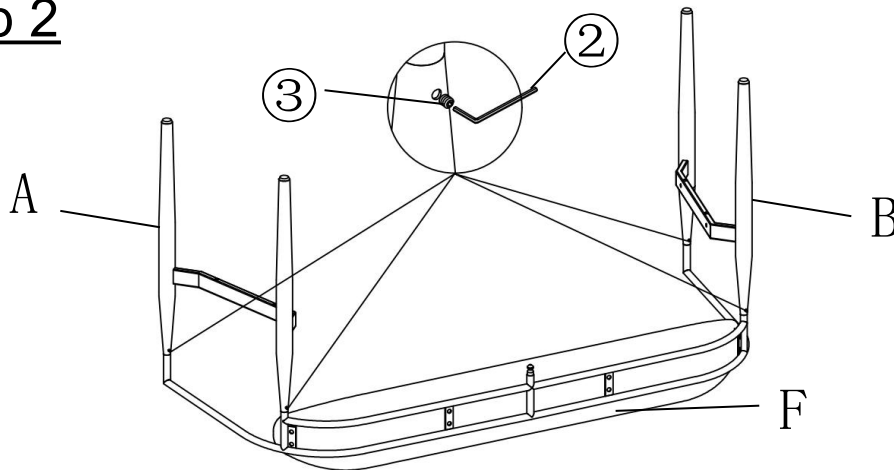
To give you an overview of the Loveseat parts, the above picture is to help you put the various parts into perspective. Please read through the instructions herebelow to familiarise yourself with the parts and steps before assembly.

Step 1



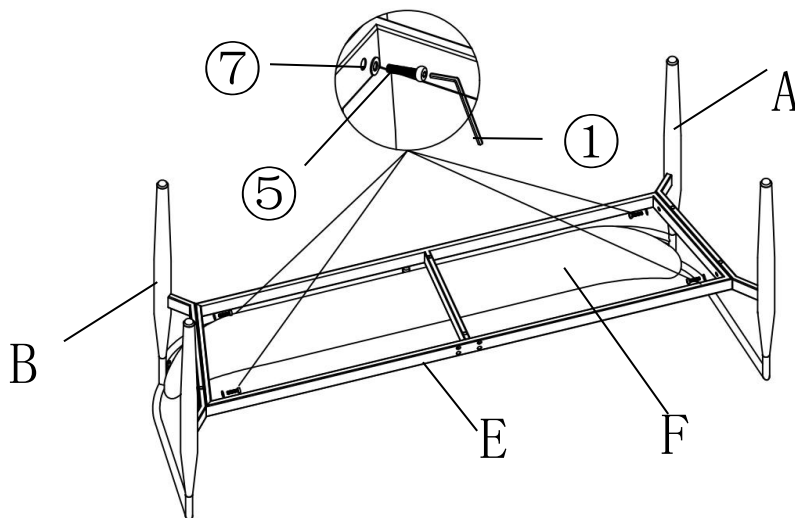
Open the carton and place all the parts onto a clean, non-marring surface.
Place Backrest (F) on the ground, as shown in picture above.

Step 2



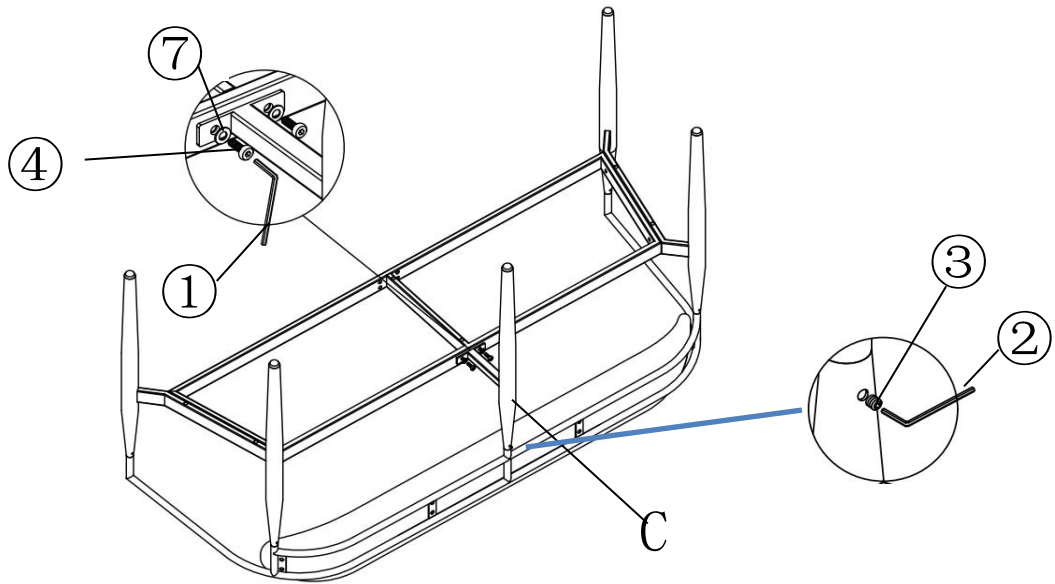
Attach Left Leg (A) and Right Leg (B) to the Backrest (F) using Bolts (3) with Allen Wrench (2).
DO NOT FULLY TIGHTEN THE BOLTS.

Step 3



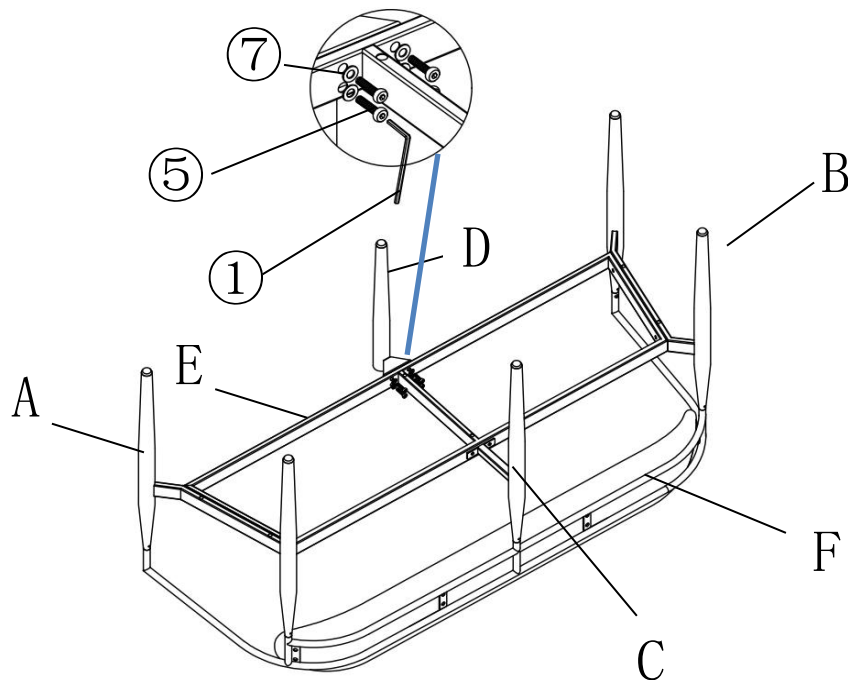
Attach Legs Connection (E) to the Left Leg (A) and Right Leg (B) using Bolts (5) and Washer (7) with Allen Wrench (1) as shown above..
DO NOT FULLY TIGHTEN THE BOLTS.

Step 4



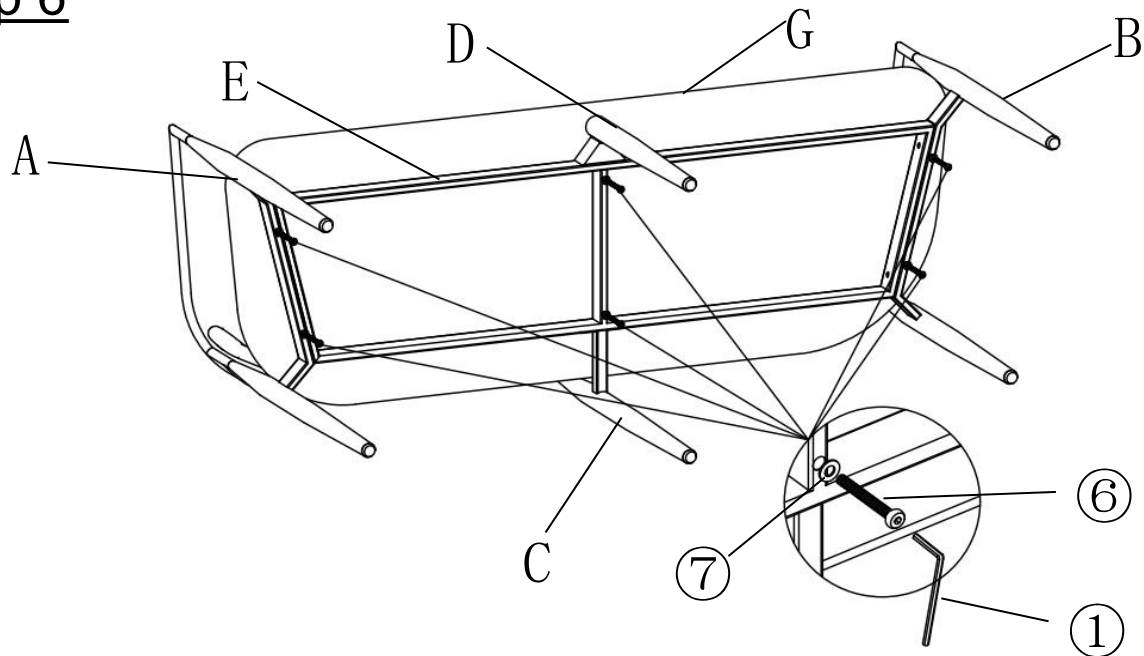
Using Bolts(④) and Washer (⑦) with Allen Wrench(①) and Bolts(③) with Allen Wrench(②) to connect the Middle Hind Leg (C) to the Legs Connection (E) and Backrest (F) as shown above.
DO NOT FULLY TIGHTEN THE BOLTS.

Step 5



Using Bolts(⑤) and Washer (⑦) with Allen Wrench(①) to connect the Middle Front Leg (D) to the Legs Connection (E) as shown above.
DO NOT FULLY TIGHTEN THE BOLTS.

Step 6

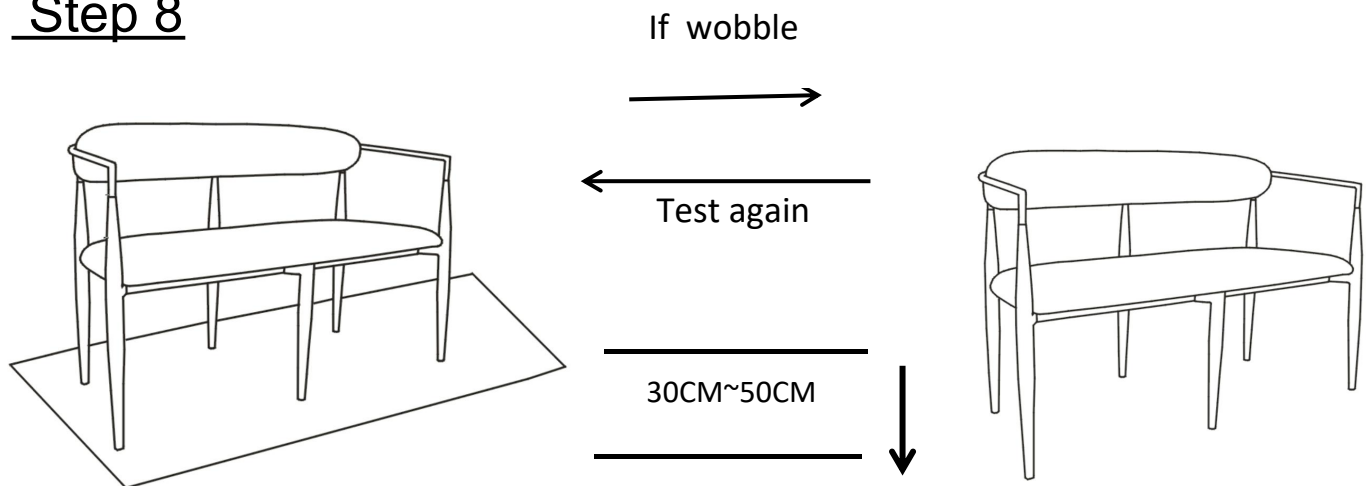


Turn over part of step 5 with the assistant of your adult partner.

Using Bolts(⑥) and Washer (⑦) with Allen Wrench(①) to connect the Seat Panel (G) to the Legs Connection (E) as shown above.

DO NOT FULLY TIGHTEN THE BOLTS.

Step 8



Place the Loveseat on a **LEVEL SURFACE** to check for wobbles.

If it wobbles, lift the Loveseat to some 30cm to 50cm in height from the ground.

Keep your feet and toes well away from the drop zone.

Drop the Loveseat freely and vertically with the four legs, hitting the ground, all at the same time.

This Drop Test will help to ensure that all the bolts and gaps all reach full alignment status.

Test again for evenness on a **LEVEL SURFACE**.

If no wobbles are found, slowly and steadily turn the Loveseat upside down.

Then, proceed to tighten all bolts in a sequential manner.

CAUTION: When tightening these bolts, tighten sequentially.

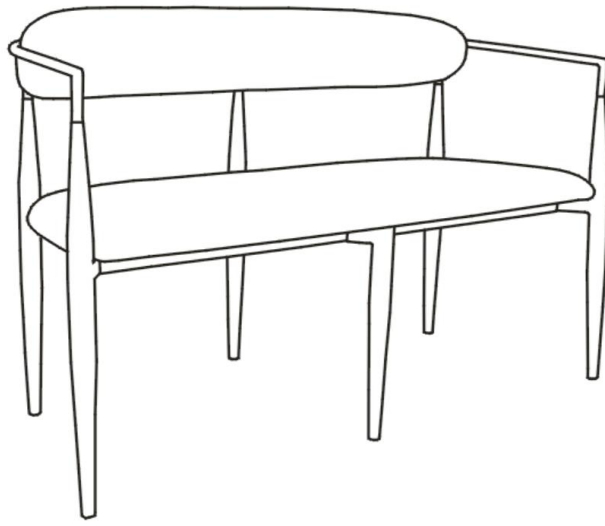
DO NOT tighten any screw fully and then towards the next one.

This would cause the frame to warp.

If there is still wobbles, loosen the bolts and execute these same drop tests.

WARNING!! IF Loveseat IS NOT STABLE, IT COULD LEAD TO DAMAGING THE PRODUCT.

Step 8



Your Loveseat is ready for use.
The chair can only be used on a flat, level surface.