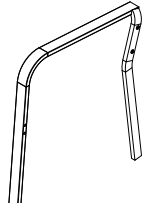
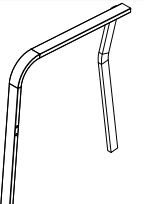

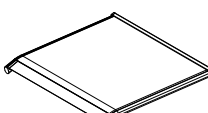
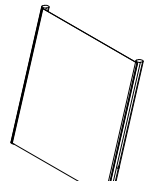



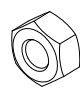

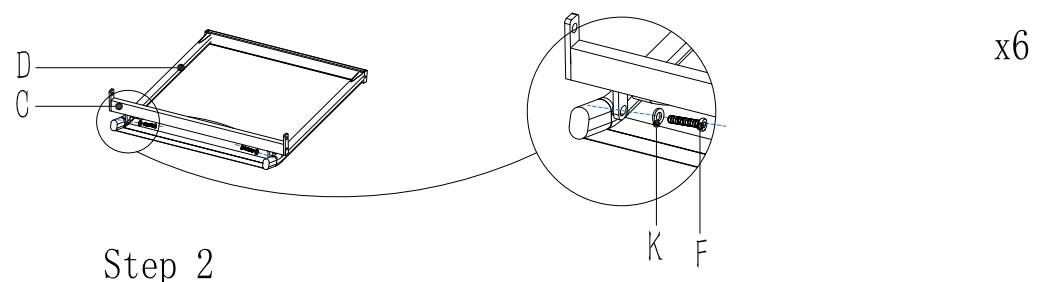
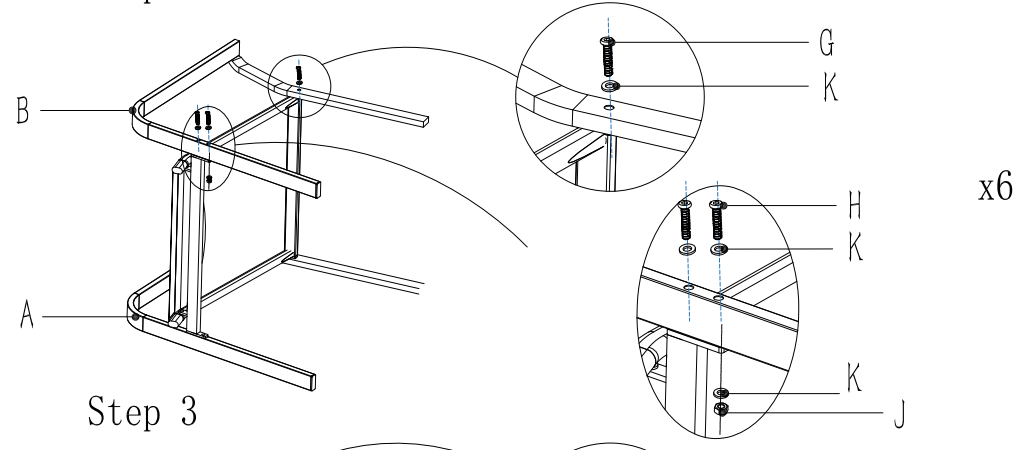


A		6
B		6
C		6
D		6
E		6
F	 M6*15	12 +1
G	 M6*30	36 +1
H	 M6*55	24 +1
J		12 +1
K		84 +1

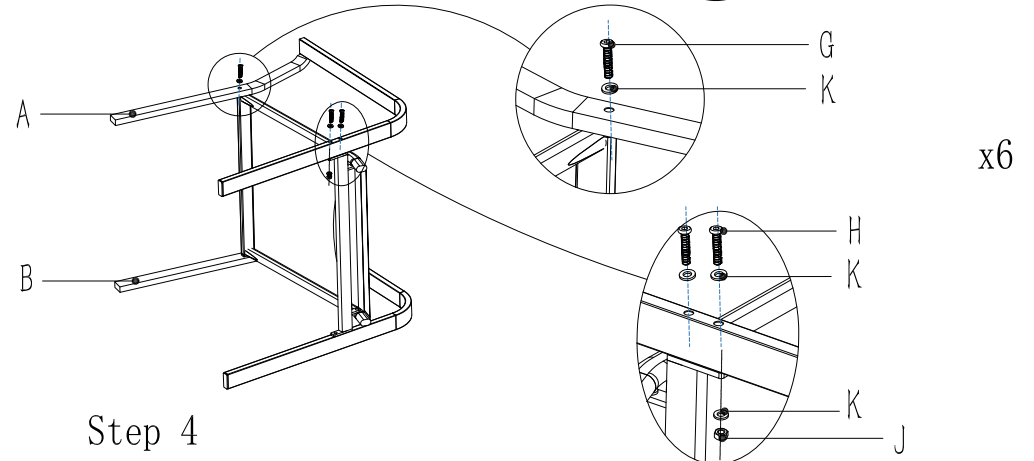
Step 1



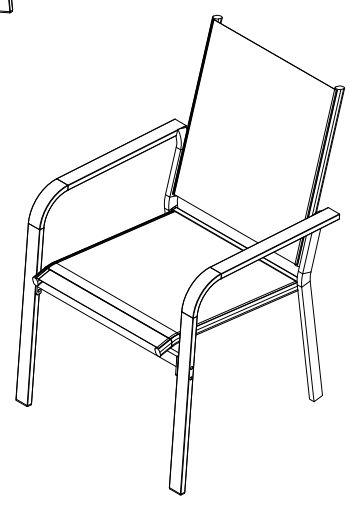
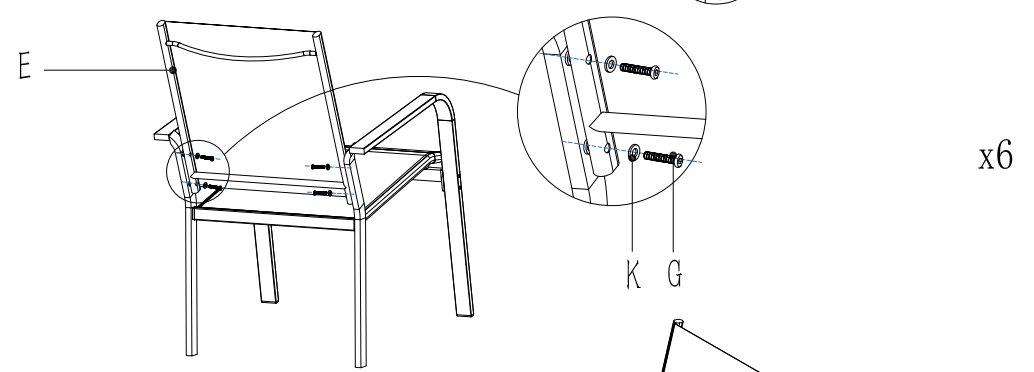
Step 2

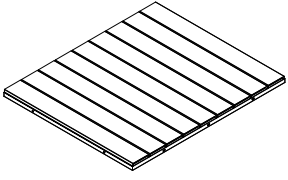
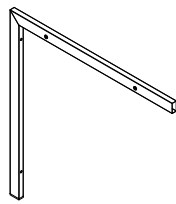
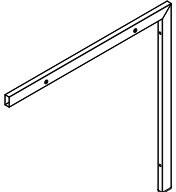
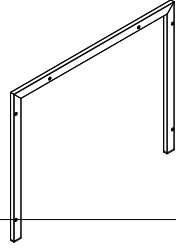

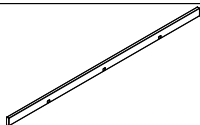
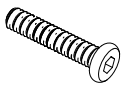
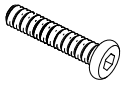
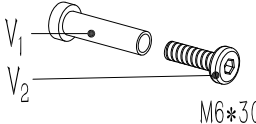
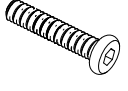


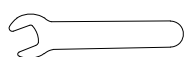


Step 3



Step 4



N		2
P		2
Q		2
R		2
S		2
T		1
F	 M6*15	8
U	 M6*25	12 +1
V	 V ₁ V ₂ M6*30	3
H	 M6*55	8
K		31
L		2
M		1

