

Assembly Instructions

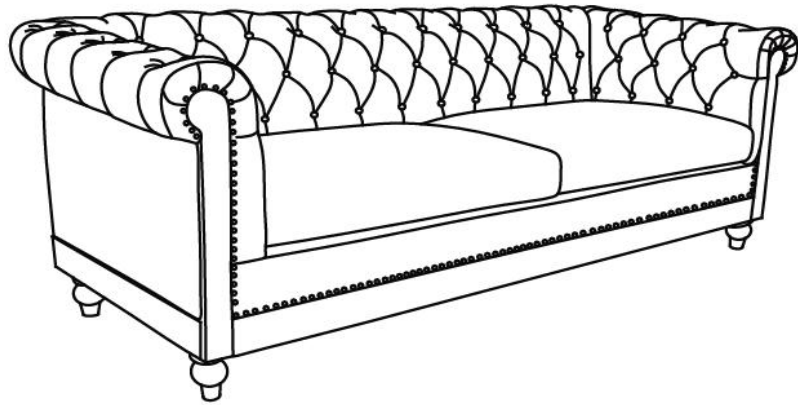
Caution : You must read this before you proceed

Care & Maintenance

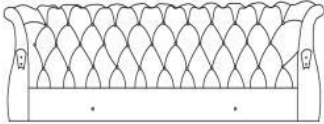
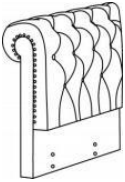
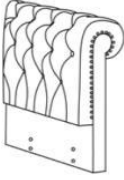




- ⊘  ● Not for commercial use. For residential use only.
- ✓  ● Furniture may scratch floors. We recommend using furniture pads to protect your floors.
- ⊘  ● Do not put hot items directly on furniture surface.
- ⊘  ● Do not clean furniture with harsh cleansers or polish.
- ⊘  ● Do not place furniture under direct sunlight.
- ⊘  ● Do not place furniture near heating or cooling vents.
- ⊘  ● Do not write on furniture without a padded barrier to protect the surface.
- ⊘  ● Do not place furniture outside . For indoor use only.
- ⊘  ● Stains may be removed with mild soap solution and damp cloth.
- ⊘  ● Children should not climb or jump on the furniture.
- ✓  ● Dust and pick-up spills using a clean, non-colored, lint-free cloth.

Please look in small carton for hardware packs and legs.
Sets often ship in multiple boxes and may arrive a day or two apart.






Sofa



Parts List

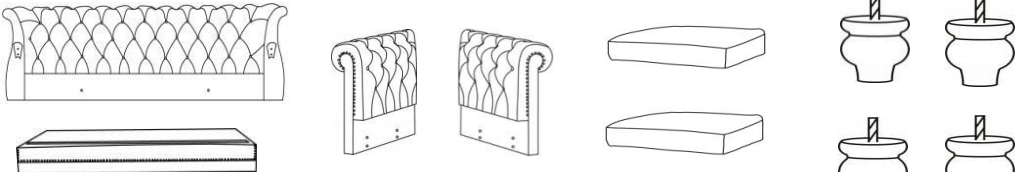
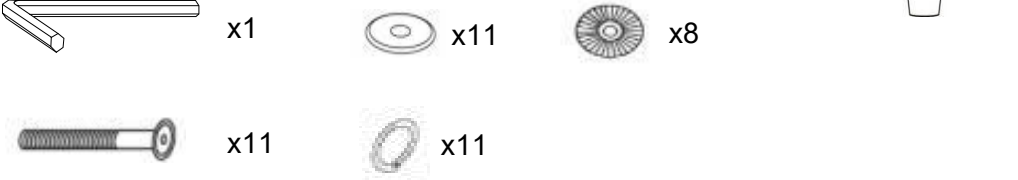
| Label | Picture | Description | QTY |
|-------------|---|--------------------|-----|
| A |  | Backrest | 1 |
| B |  | Left Armrest | 1 |
| C |  | Right Armrest | 1 |
| D |  | Seat | 1 |
| E |  | Seat Cushion | 2 |
| F |  | Sofa Leg | 4 |
| G |  | Middle Support Leg | 1 |
| N760P215168 | A*1,D*1,F*4,G*1,Hardware*1 | | |
| N760P215171 | B*1,C*1,E*2 | | |






Hardwares

| Label | Picture | Description | QTY |
|-------|---|-------------------|-----|
| ① |  | Bolt (M8*60 MM) | 11 |
| ② |  | Washer(M8) | 11 |
| ③ |  | Gasket | 8 |
| ④ |  | Allen Wrench | 1 |
| ⑤ |  | Spring Washer(M8) | 11 |

Assembly Preparation

Before Begining Assembly:

 x1
  x11
  x8
 x11
  x11



- Read instructions, cover to cover-



- Have 2 adults on hand for assembly-



- Do not assemble on flooring or carpet-

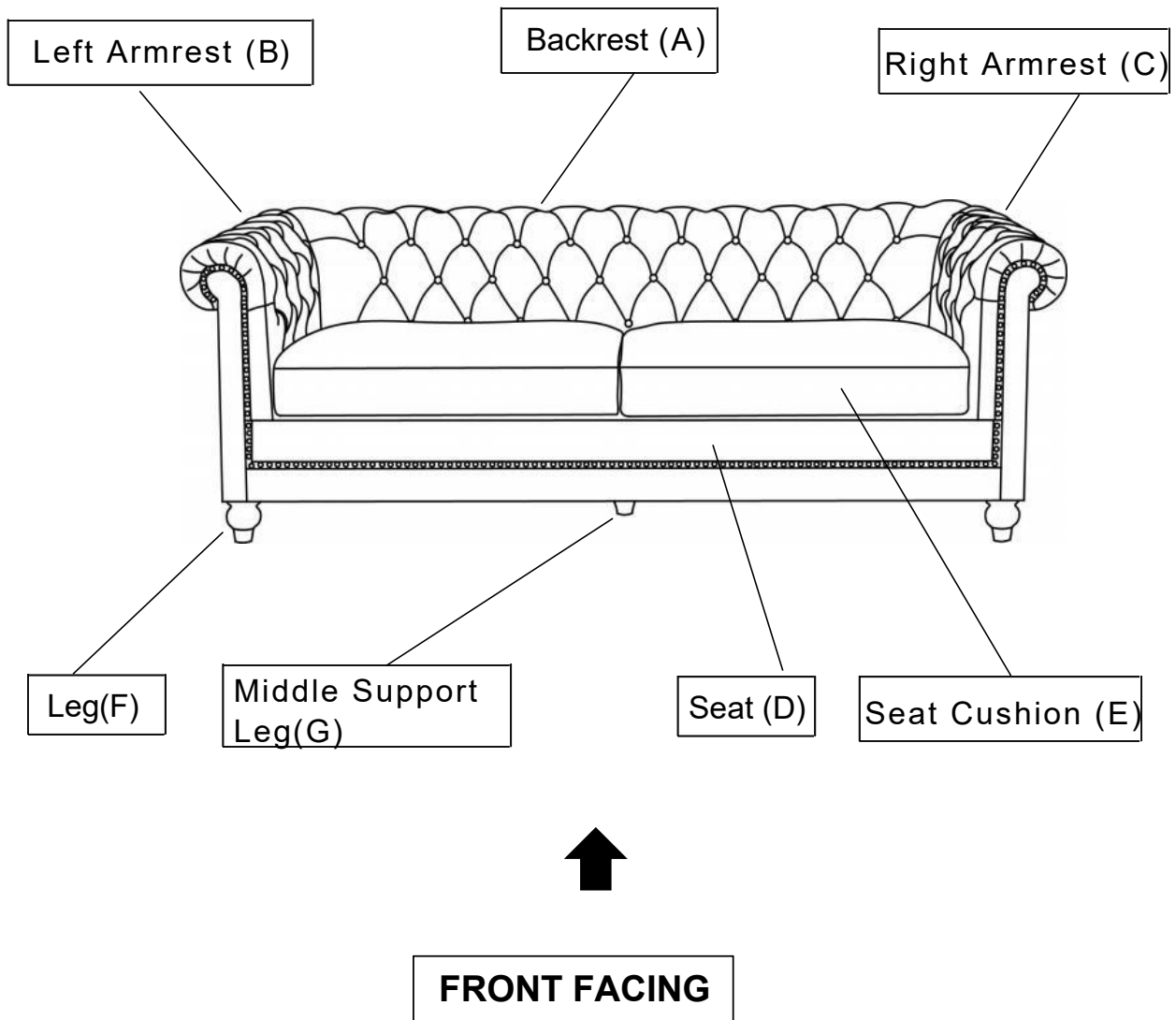


- Assemble on a clean non-marring surface (packing foam)-



- Save all packaging until finished-

Assembly Steps



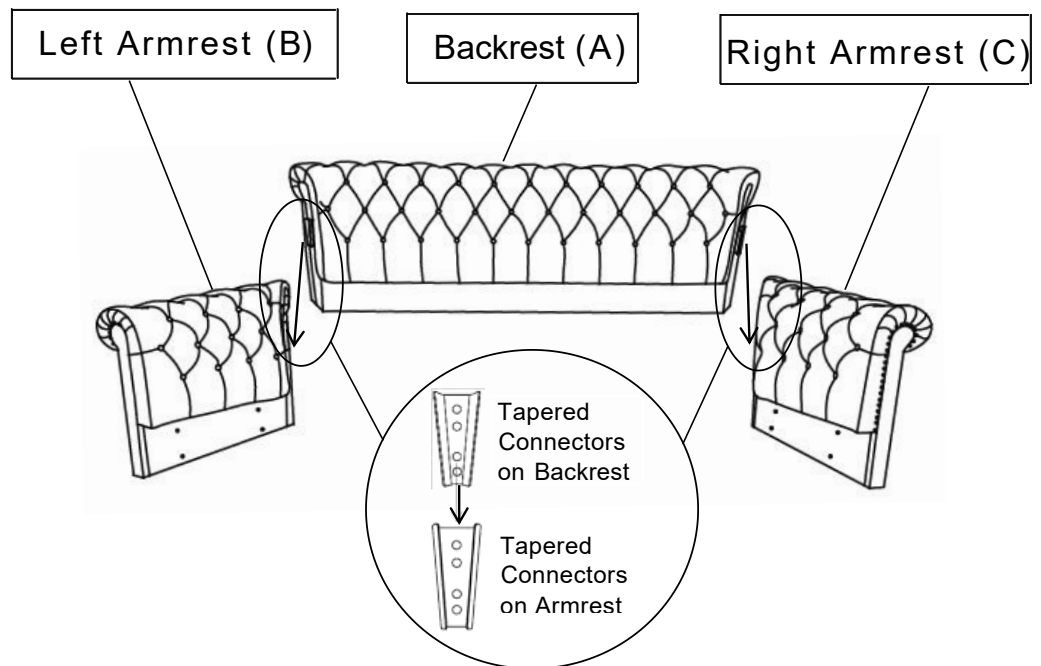
This Sofa has multiple parts and may require up to 30 minutes to assemble.

To give you an overview of the Sofa parts, the above picture is to help you put the various parts into perspective.

Please read through the instructions below to familiarise yourself with the parts and steps before assembly.

Note: It is recommended that you have an adult partner to assist during the entire assembly process.

Step 1



Open the carton and place all the parts on a clean, non-marring surface.

With the assistance from your partner.

Lift the Backrest(A) up, make sure the Backrest(A) is vertical and aligned to the Seat and Armrest. Align the Tapered Connectors on the Backrest(A) with those on the Left Armrest(B) and Right Armrest(C).

Your adult partner may need to push the Armrests inwards towards the Backrest(A) to allow for better alignment.

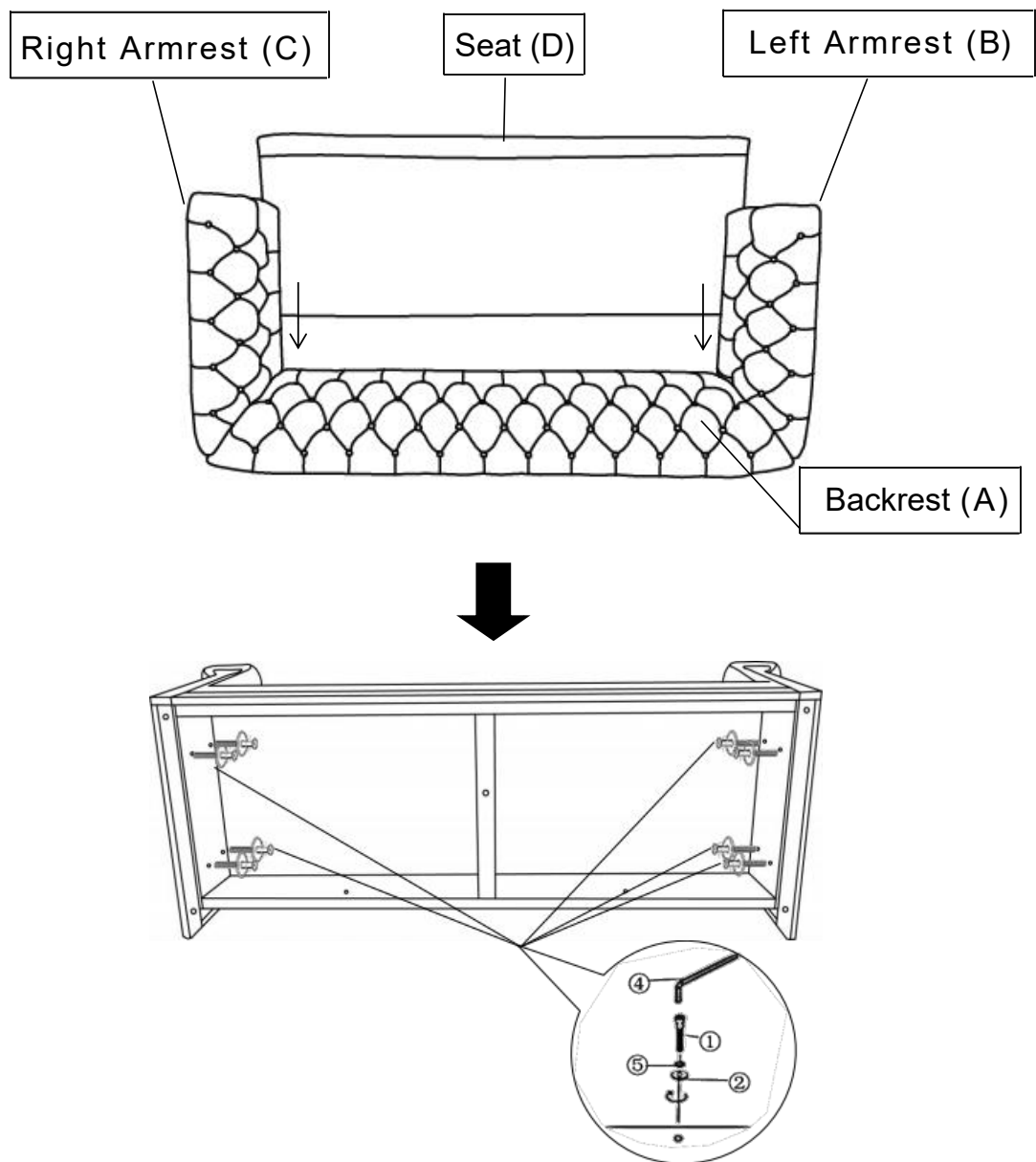
Slip and slide the Backrest in a gradual and balanced manner into the Tapered Connectors.

Push the Backrest(A) downwards until it is fully slotted and locked into position.

Note: Make sure the Tapered Connectors on the Backrest(A) lock into the Tapered Connectors on Left Armrest(B) and Right Armrest(C).

Assistance from an adult partner is needed for this assembly process.

Step 2



With the assistance from your partner, attach the Seat(D) to the Left Armrest(B) & the Right Armrest(C) using Bolts(①), Spring Washers(⑤), and Washers(②) with the Allen Wrench(④) as pictured above.

Tighten the Bolts fully in a sequential manner.

DO NOT fully tighten a Bolt in one go and then move on to the next.

Rather, In a sequential manner, gradually tighten each Bolt little by little until all Bolts are evenly secured.

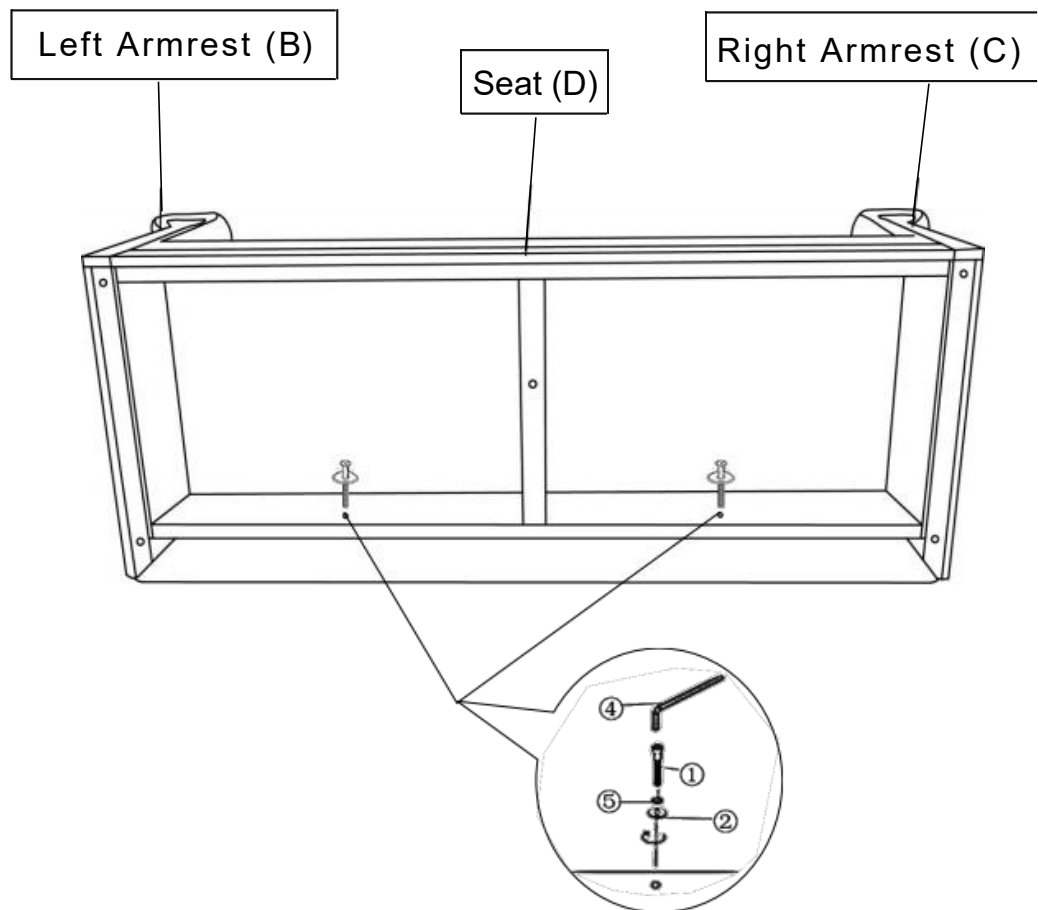
This methodology will ensure maximum evenness once all Bolts are fully tightened.

Make sure the bottom of the Seat(D) and both Armrests(B&C) are level.

Assistance from an adult partner is needed for this assembly process.

Caution: Ensure that your fingers do not get caught or pinched in the assembly process.

Step 3



Tilt and lay the Sofa on its Backrest(A) onto a flat surface.

Attach the Seat(D) to the Backrest(A) using Bolts(①), Spring Washers(⑤), and Washers(②) with the Allen Wrench (④) as pictured above.

Tighten the Bolts fully in a sequential manner.

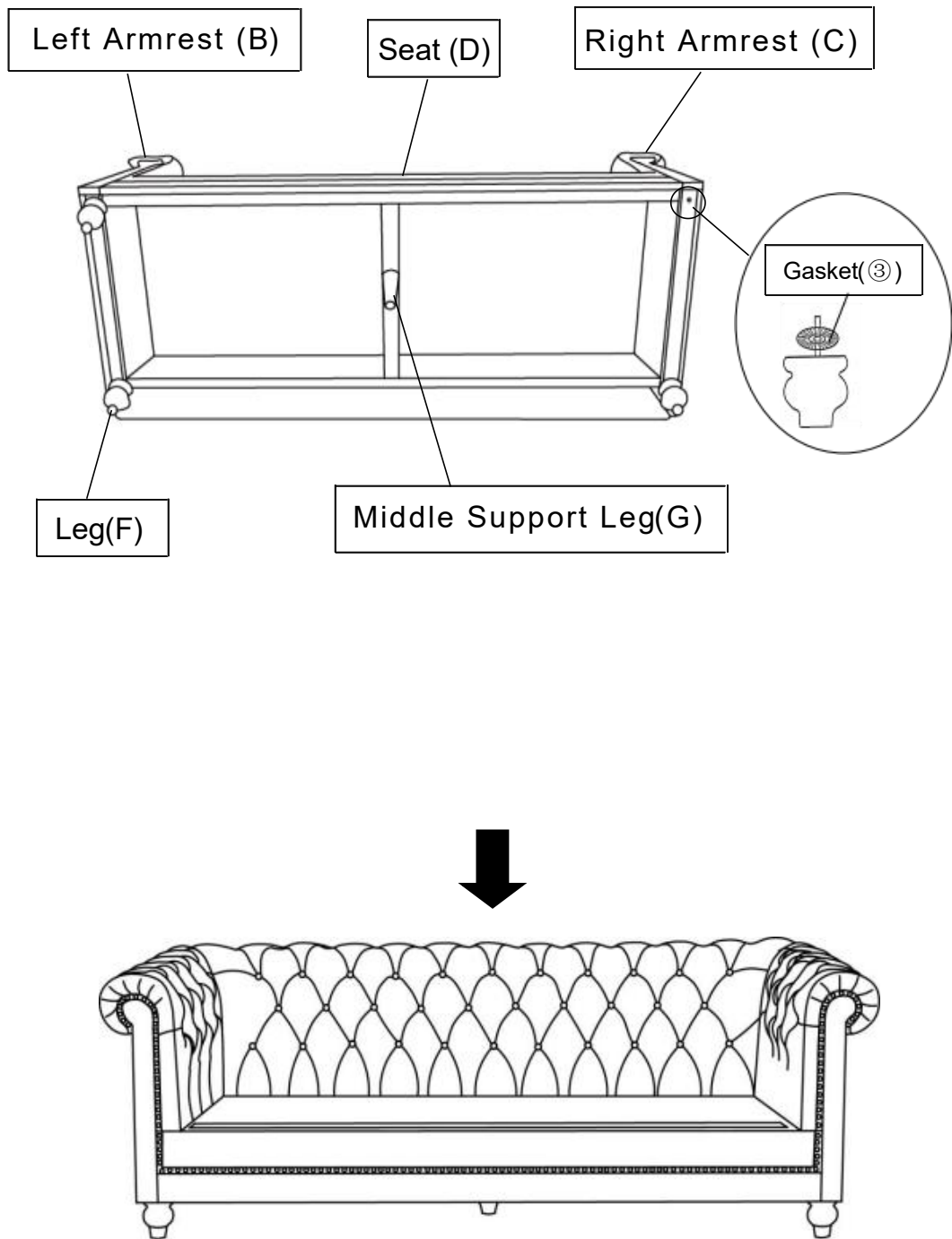
DO NOT fully tighten a Bolt in one go and then move on to the next.

Rather, In a sequential manner, gradually tighten each Bolt until all Bolts are evenly secured.

This methodology will ensure maximum evenness once all Bolts are fully tightened.

Note: If you can not insert the Bolts into position, please go back to Step 1 to "push the Backrest downwards".

Step 4



Install the Sofa Leg(F) and the Middle Support Leg(G) onto the bottom of the Sofa by placing one Gasket(3) on the threaded stem.

Then insert the threaded stem into the threaded mounting position at the corner of the Sofa.

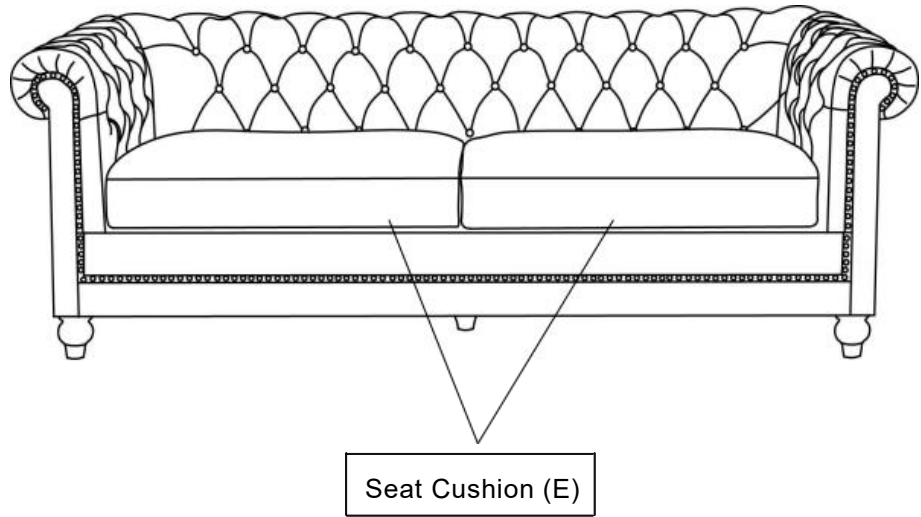
Tighten by turning the Leg clockwise.

Repeat the same step to install the remaining Legs.

Note: The use of Gaskets are OPTIONAL and are especially useful to help alleviate slight wobbles.

Some Legs may need more than one whilst some legs may not need any.

Step 5



Place the Seat Cushions(E) onto the Sofa.
Your Sofa is ready for use.
This Sofa can only be used on a flat, level surface.