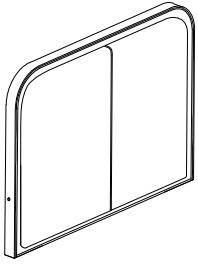


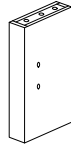
ASSEMBLY INSTRUCTIONS

LED QUEEN HEADBOARD

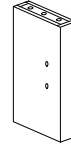
- | | | | |
|--------------------------|--|--|---|
| A Headboard Panel | B Headboard Leg LSF
(In 437BQ-3) | C Headboard Leg RSF
(In 437BQ-3) | D Metal Bracket (black)
(In the Headboard Leg)
258 x 95 x 37 x 2mm |
|--------------------------|--|--|---|



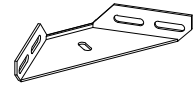
1PC



1PC

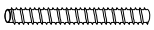


1PC

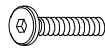


2PCS

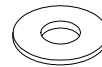
- E** Threaded Rod
Ø5/16" x 3 1/4"



- F** Bolt
Ø5/16" x 25mm



- G** Flat Washer
Ø5/16" x 22mm



- H** Lock Washer
Ø5/16" x 12mm

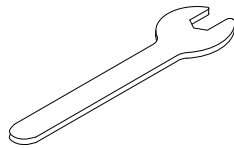


- I** Hex Nut
Ø5/16" x 12 x 5mm



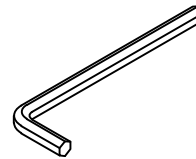
6PCS

- J** Wrench
M5 x 90mm



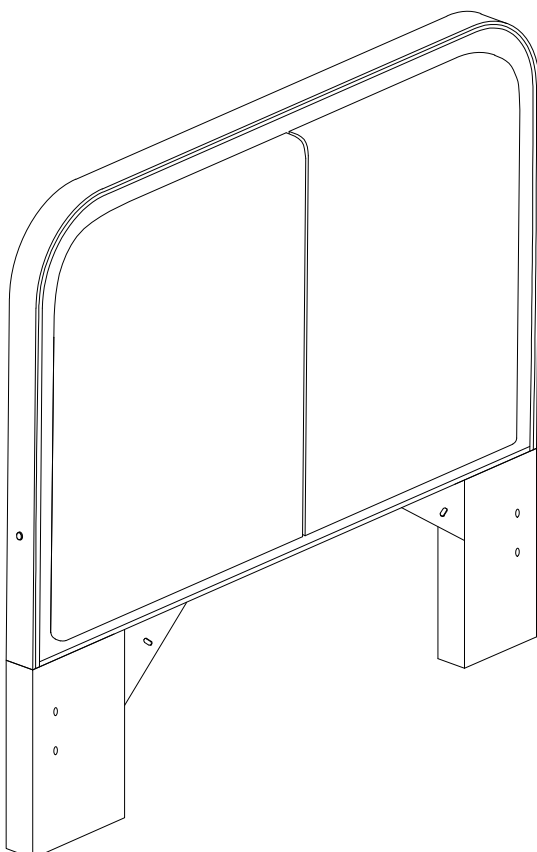
1PC

- K** L-Allen Key
5mm



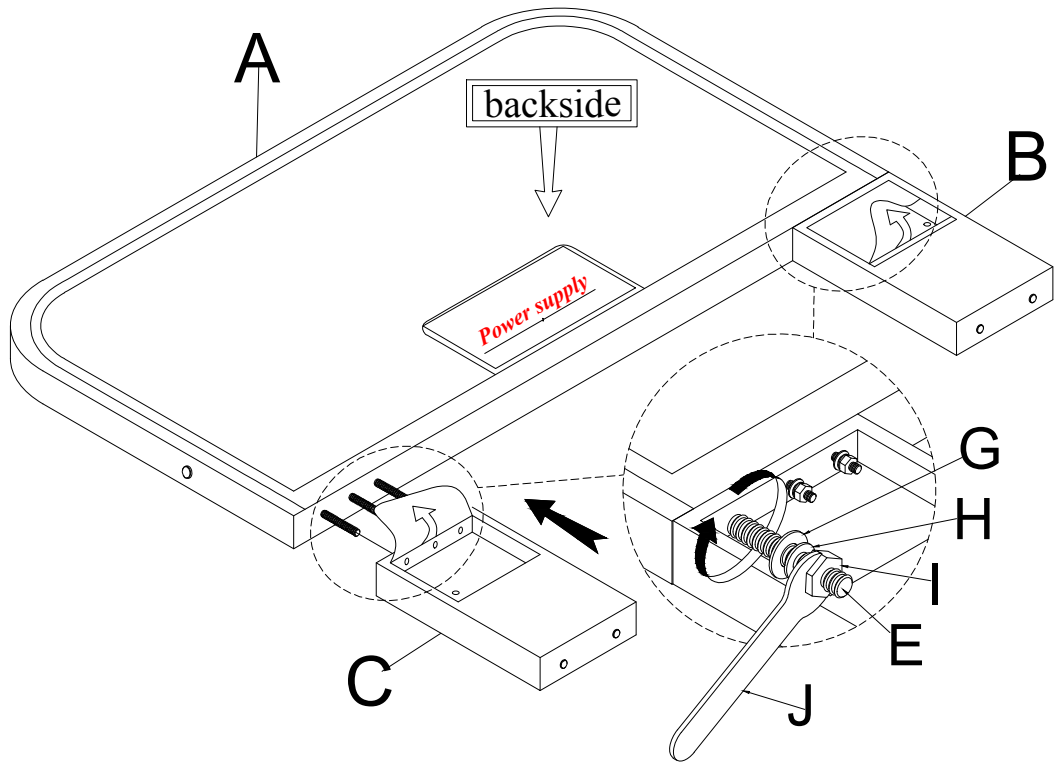
1PC

14PCS

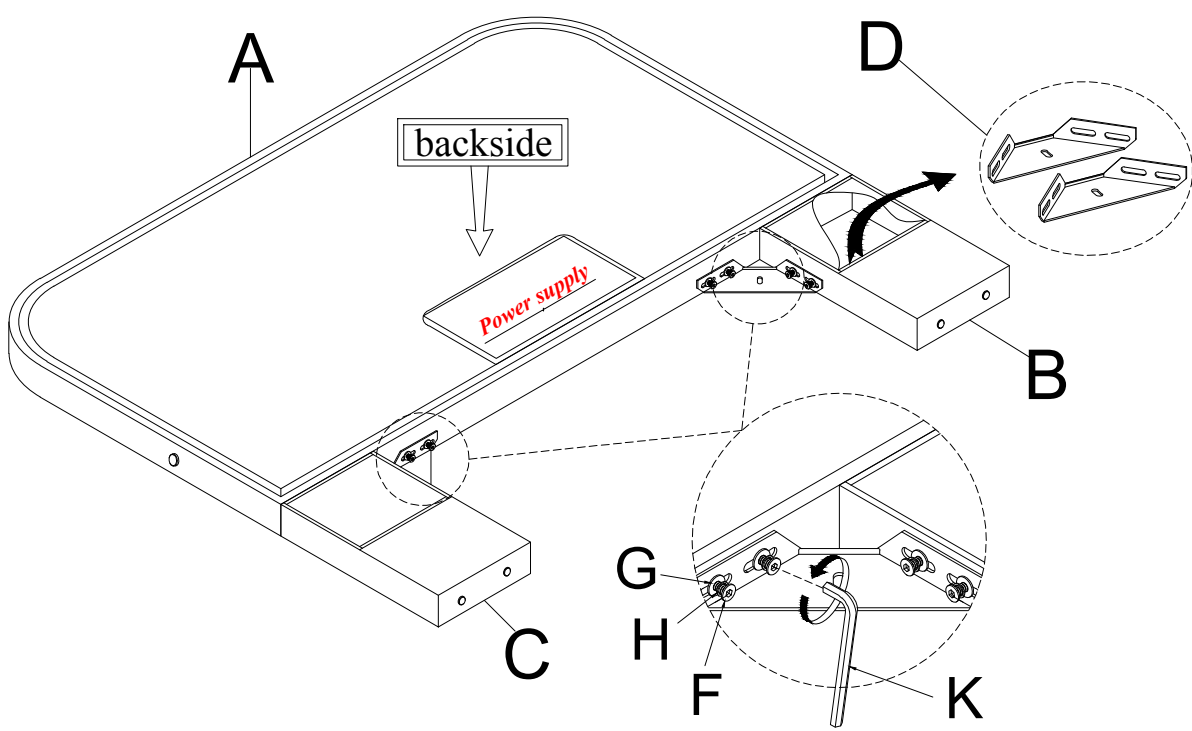


This page lists all the contents included in the box. Please take the time to identify the hardware as well as the individual components to this product. As you unpack and prepare for assembly, place the contents on a carpeted or padded area to protect them from damage.

1 Attach LSF & RSF Headboard Leg (B & C) to Headboard (A) using Threaded Rod (E), Flat Washer (G), Lock Washer (H) and Hex Nut (I) with Wrench (J).



2 Attach Metal Bracket (D) to Headboard (A) and LSF & RSF Headboard Leg (B & C) using Bolt (F), Lock Washer (H) and Flat Washer (G) with L-Allen Key (K).

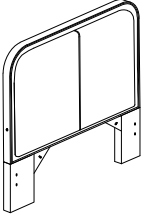
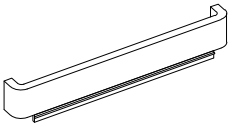
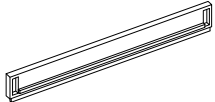
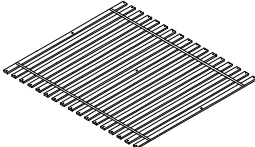
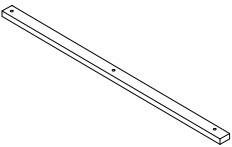
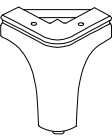
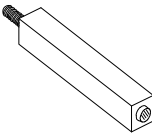
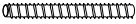





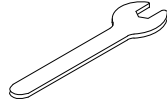
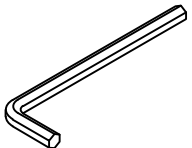
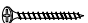
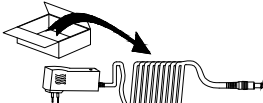


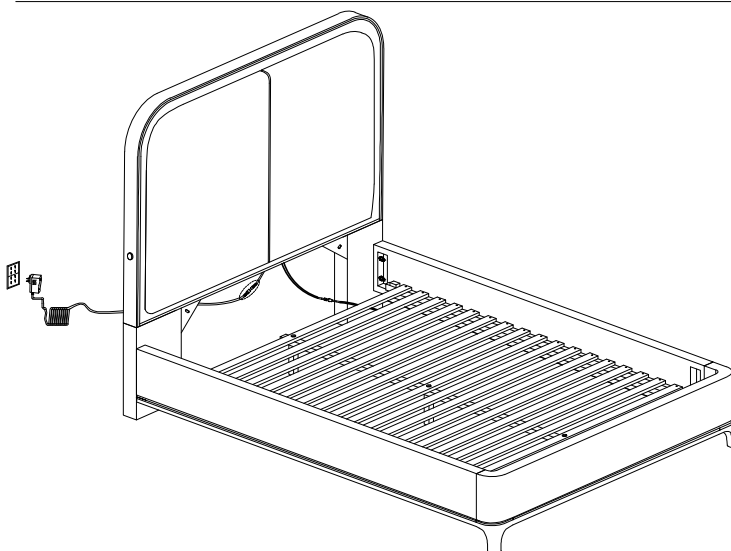
Cleaning & Care

Treat surfaces with care. Surfaces are resistant to scratches but are not scratch resistant. Clean surfaces with a dry or damp soft cloth. Do not use abrasive cleaners. Hardware may loosen over time. Periodically check that all connections are tight.

ASSEMBLY INSTRUCTIONS

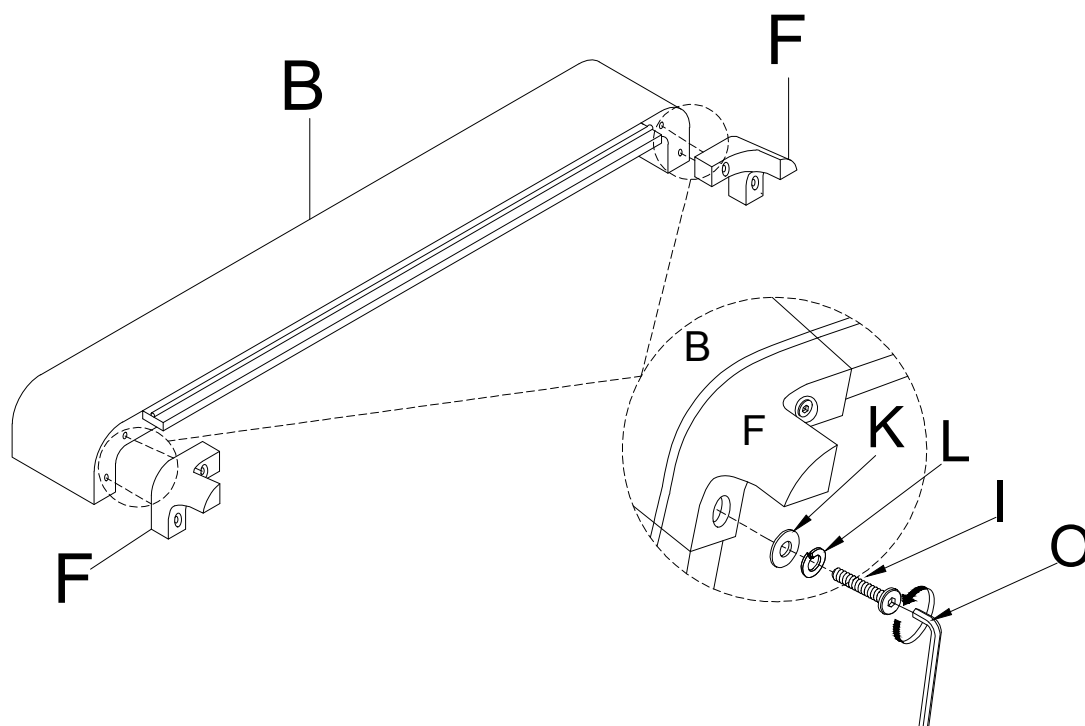
LED QUEEN FOOTBOARD & RAILS & SLATS & SUPPORT LEGS & CENTER BAR

A Headboard (In 437BQ-1)	B Footboard Panel	C Side Rail	D Slat	E Center Bar
				
1PC	1PC	2PCS	1SET (17PCS)	1PC
F Footboard Leg	G Center Support Leg	H Threaded Rod Ø5/16" x 80mm	I Bolt 5/16" x 50mm	J Flat Washer 5/16" x 22mm
				
2PCS	3PCS	8PCS	4PCS	8PCS
K Flat Washer 5/16" x 19mm	L Lock Washer 5/16" x 12mm	M Hex Nut 5/16" x 12 x 5mm	N Wrench M5 x 90mm	O L-Allen Key 5mm
				
4PCS	12PCS	8PCS	1PC	1PC
P Screw Ø8 x 38mm	Q Electricity Plug			
				
34PCS	1PC			

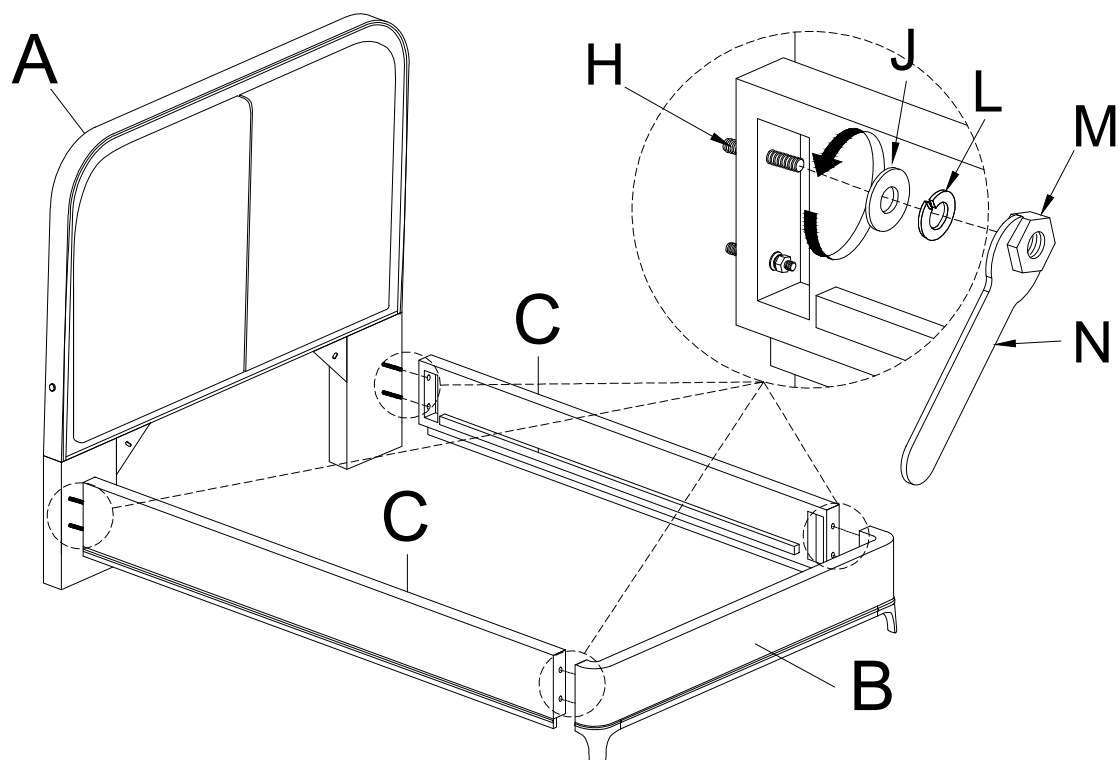


This page lists all the contents included in the box. Please take the time to identify the hardware as well as the individual components to this product. As you unpack and prepare for assembly, place the contents on a carpeted or padded area to protect them from damage.

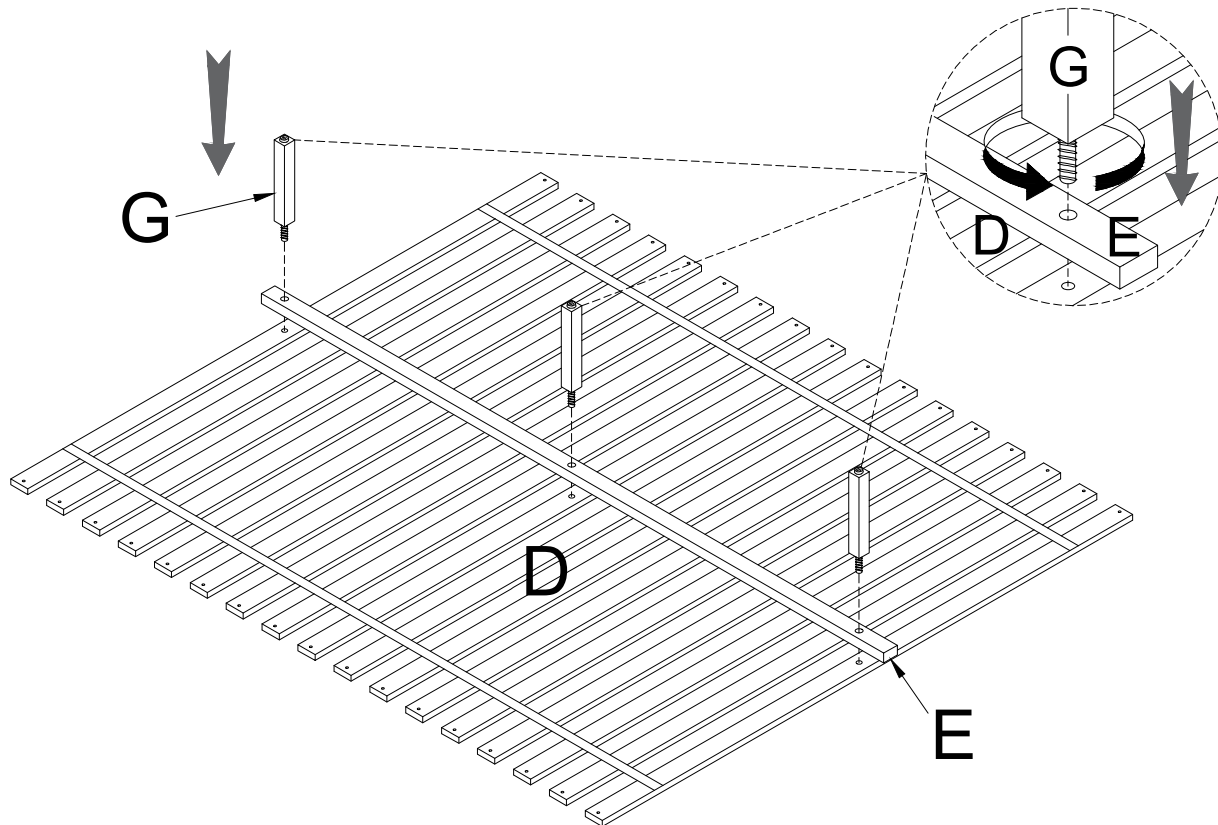
- 1** Attach Footboard Leg (F) to Footboard Panel (B) using Bolt (I), Lock Washer (L) and Flat Washer (K) with L-Allen Key (O).



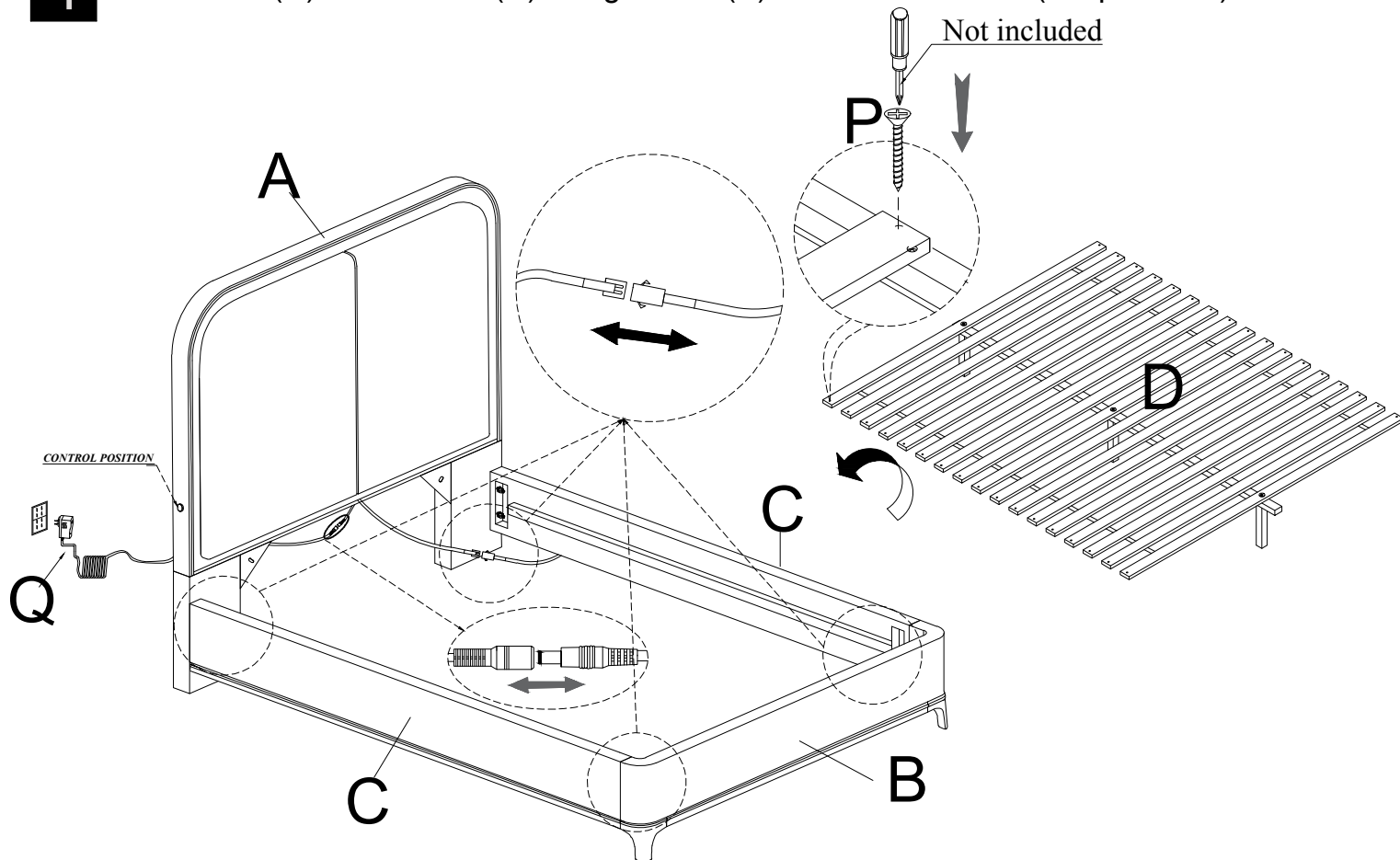
- 2** Attach Side Rail (C) to Headboard (A) and Footboard (B) using Threaded Rod (H), Flat Washer (J), Lock Washer (L) and Hex Nut (M) with Wrench (N).



3 Rotate and attach Center Bar (E) and Center Support Leg (G) to Slat (D).



4 Attach Slat (D) to Side Rail (C) using Screw (P) with a screwdriver (not provided).



Cleaning & Care

Treat surfaces with care. Surfaces are resistant to scratches but are not scratch resistant. Clean surfaces with a dry or damp soft cloth. Do not use abrasive cleaners. Hardware may loosen over time. Periodically check that all connections are tight.