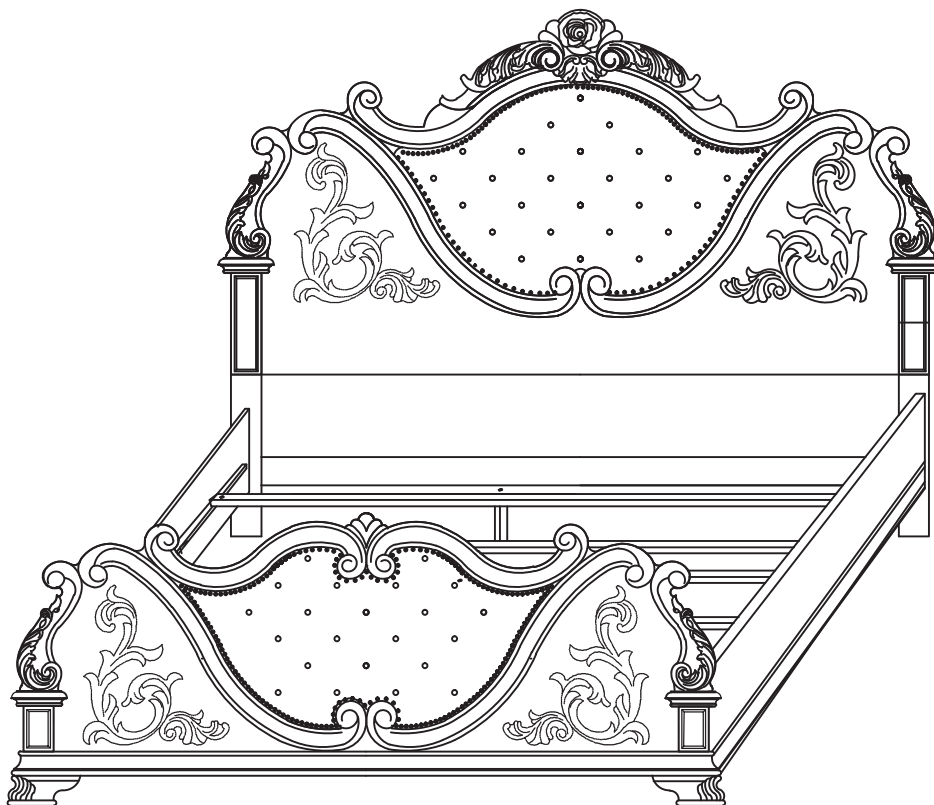


ASSEMBLY INSTRUCTIONS



TOOLS REQUIRED



Allen Wrench

(Included)



Phillips
Screwdriver

(Not Included)



2 - People
Recommended

ASSEMBLY RATING



EASY —————> DIFFICULT

The Assembly Rating is a 5-point system showing the level of effort needed to assemble a specific product.



CHECK BEFORE STARTING

Are you missing anything?

Double-check all parts, hardware and accessories listed are all accounted for.

Check out our Quick Tips!

We recommend reviewing the pre-assembly handouts. Even experts need a refresher now and then!

Should we send any replacements?

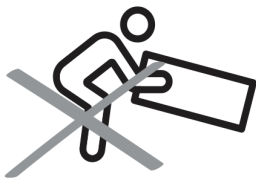
Are there any irregularities or flaws in the parts? We can send replacements!

Prep Time!

Please review the assembly instructions and all diagrams prior to assembling.

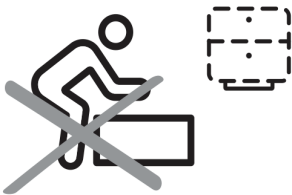
PRE ASSEMBLY INTRODUCTION

We understand building ready-to-assemble furniture can be a challenging experience for some. To help avoid confusion, we have provided some helpful tips that may speed up the process.



Teamwork

ALWAYS have at least two people to help with transporting and assembling the product to avoid potential injury and/or damage.



Suitable Location

Assembling near the area of the intended location is highly recommended.



Sufficient Space

Make sure you have enough space to move around during the assembly.



Avoid Scratches

Use cardboard, blankets or a carpeted area while assembling furniture to prevent to prevent scratches and damages.



Flat Surface

Make sure the furniture rests on a flat and level surface with each leg evenly touching the floor.

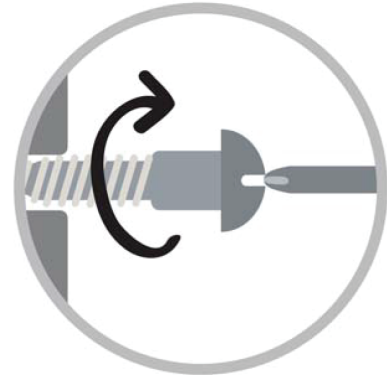
ASSEMBLY AND CARE ADVICE



FAILURE TO FOLLOW THE GUIDELINES BELOW MAY RESULT IN INJURY AND/OR PROPERTY DAMAGE.



Position each part correctly and insert screws or bolts into their respective holes.



Turn clockwise to tighten and only tighten when step is completed or when instructed to do so.



Use the appropriate hand tools or power tools for assembly. Select steps, such as tightening screws and/or bolts, may require hand tools to avoid causing damage during assembly.



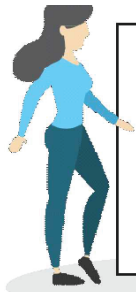
Save the instructions and store any supplied tools for later maintenance.



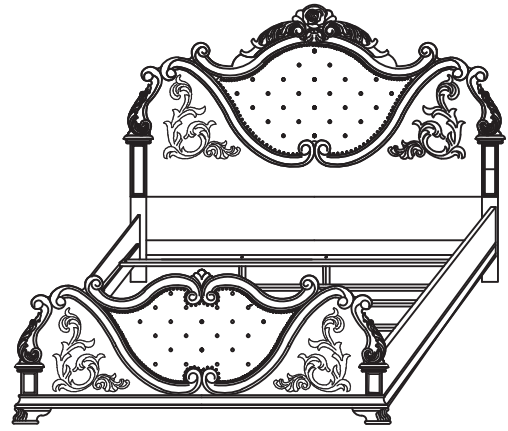
After two weeks, check and tighten any loose hardware and repeat again every six months thereafter.

IT IS THE USER'S RESPONSIBILITY TO MAINTAIN THE FURNITURE. THE HARDWARE MAY LOOSEN OVER TIME AND MAY CAUSE THE FURNITURE TO BE WOBBLY AND UNABLE TO SUPPORT ITS INTENDED WEIGHT CAPACITY. THIS MAY LEAD TO COLLAPSE AND MAY CAUSE SERIOUS INJURY.

BED



- Please keep instructions for future reference.
- Check the quantity and irregularity of parts and hardware before you start.



PARTS

#1 1pc



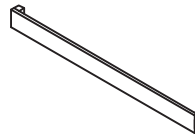
Headboard

#2 2pcs



Headboard leg(L&R)

#3 1pc



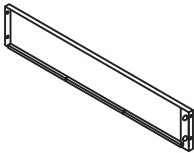
HB Cross bar

#4 1pc



Footboard

#5 2pcs



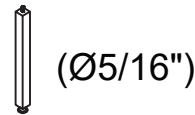
Siderail

#6 4 pcs



Slat

#7 4pcs



Slat support leg
250x30x30mm

HARDWARE

#A 8pcs



Bolt Ø5/16" x 2"

#B 12pcs



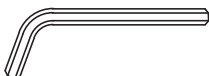
Lock Washer Ø5/16"

#C 12pcs



Flat Washer Ø5/16"

#D 1pc



Allen key M4

#E 8pcs



Screw #4 x 32mm

#F 8pcs



Ø5/16" x 3-1/4"

HARDWARE

#G 8pcs



Half Moon Washer
(Ø5/16")

#H 8pcs



Hex Nut (Ø5/16")

#I 1pc

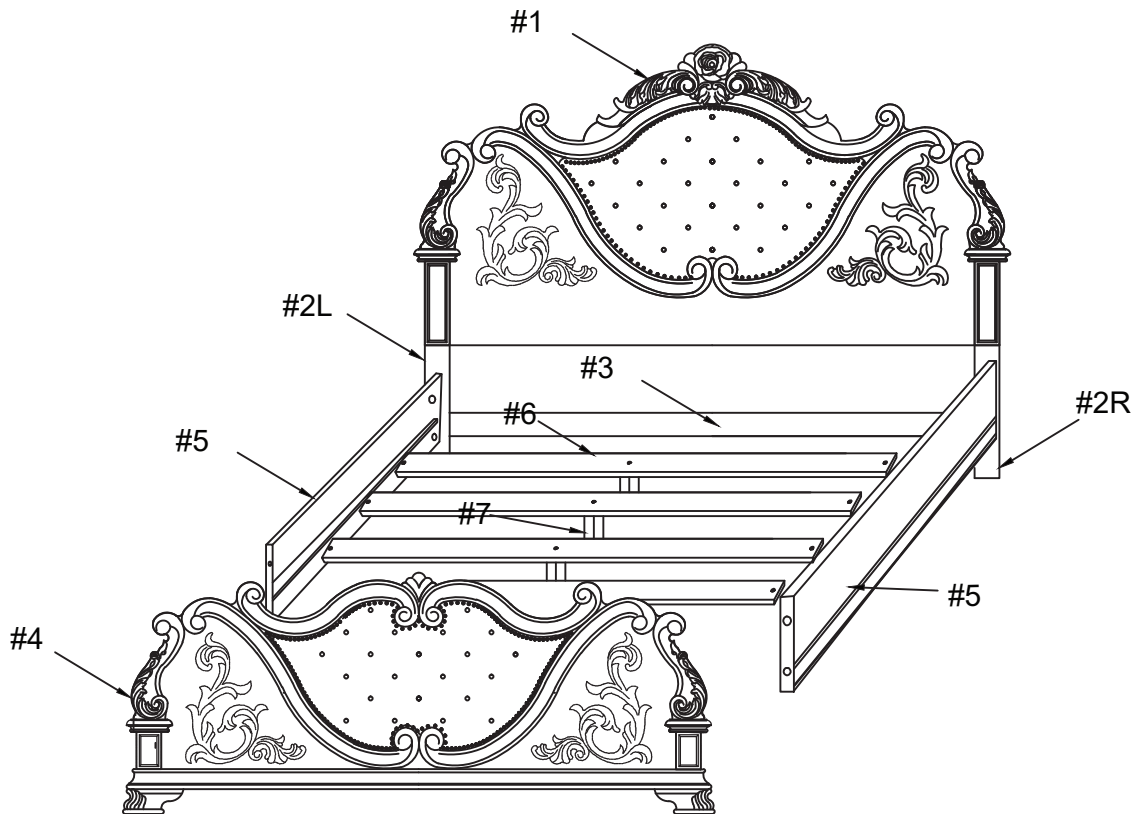


Wrench 14mm
















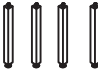

#J 4pcs



Bolt Ø5/16" x 1-1/2"



is packed in 3 cases

Carton	Disignation	Part	Part	Hardware
	Headboard	#1		
	Headboard leg(L&R) x 2pcs	#2		
	HB Cross bar	#3		
	Footboard	#4		 #A x8pcs  #B x12pcs  #C x12pcs  #D x1pc  #E x8pcs  #F x8pcs  #G x8pcs  #H x8pcs  #I x1pc  #J x4pcs
	Slat x 4pcs	#6		
	Slat support leg 250x30x30mm x4pcs	#7		
	Siderail x2pcs	#5		

ASSEMBLY INSTRUCTIONS

Align the Headboard leg L&R (#2) to the back of Headboard (#1) and secure by using Bolt (#A) with Lock washer (#B) and Flat washer (#C).

1

Part #1 x1pc

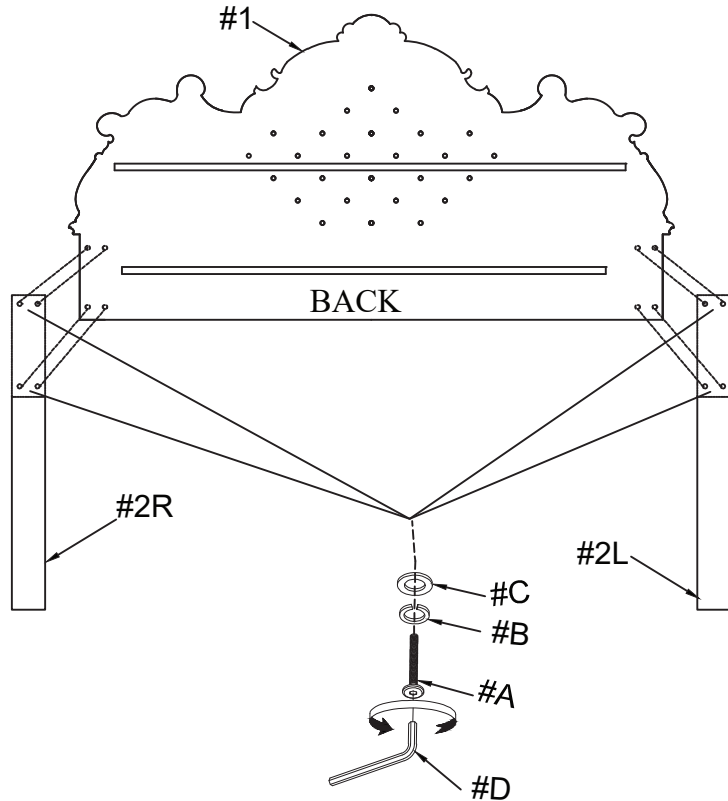
Part #2 x2pcs

Hardware #A x8 pcs

Hardware #B x8 pcs

Hardware #C x8 pcs

Hardware #D x1 pc



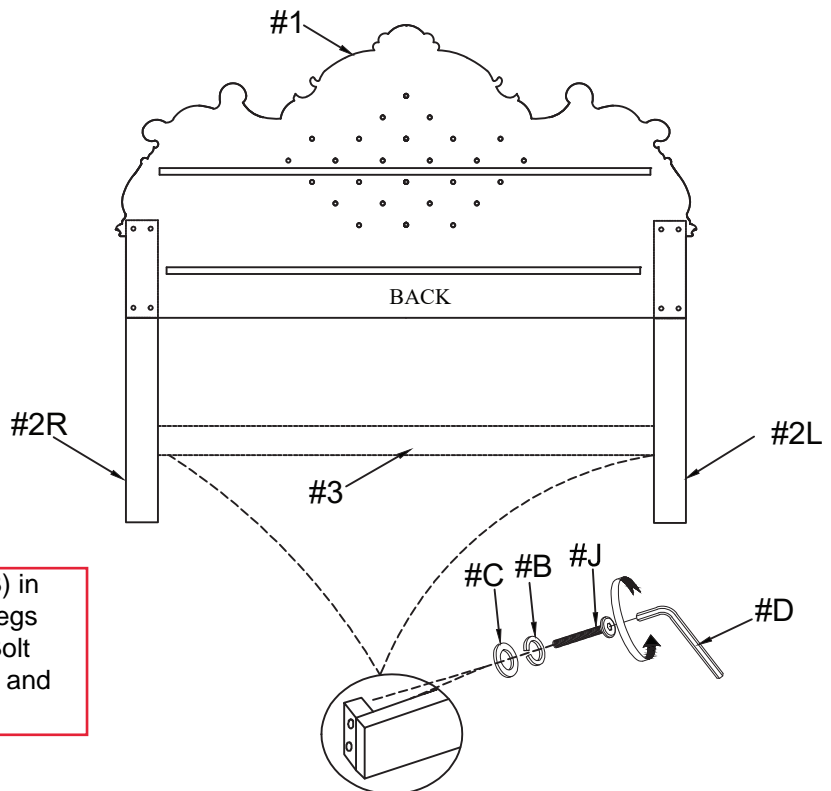
2

Part #3 x1pc

Hardware #J x4 pcs

Hardware #B x4 pcs

Hardware #C x4 pcs



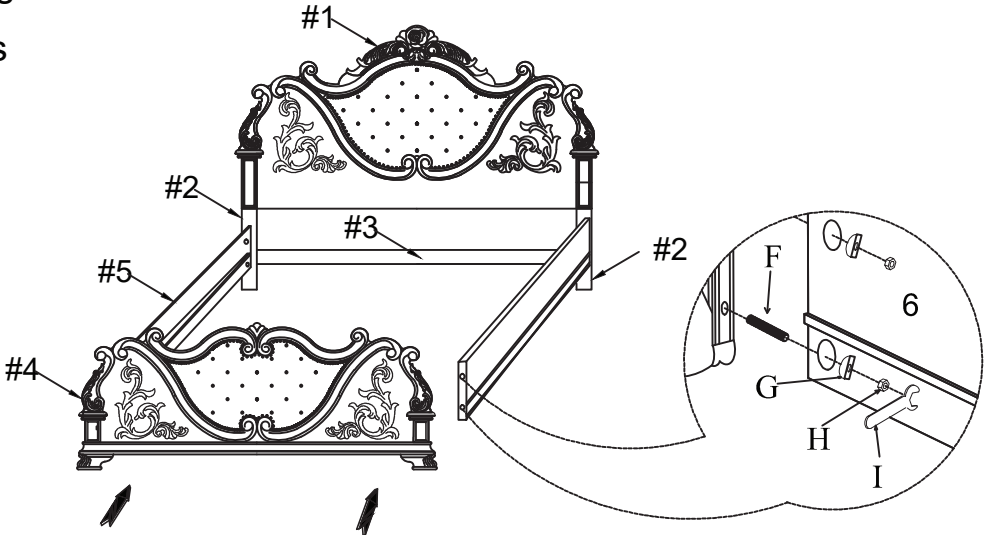
Insert the HB cross bar (#3) in between the Headboards legs (#2) and secure by using Bolt (#J) with Lock washer (#B) and Flat washer (#C).

ASSEMBLY INSTRUCTIONS

3

- Part #1 x1pc
- Part #4 x1pcs
- Part #5 x2pcs
- Hardware #H x8 pcs
- Hardware #G x8pcs
- Hardware #F x8pcs

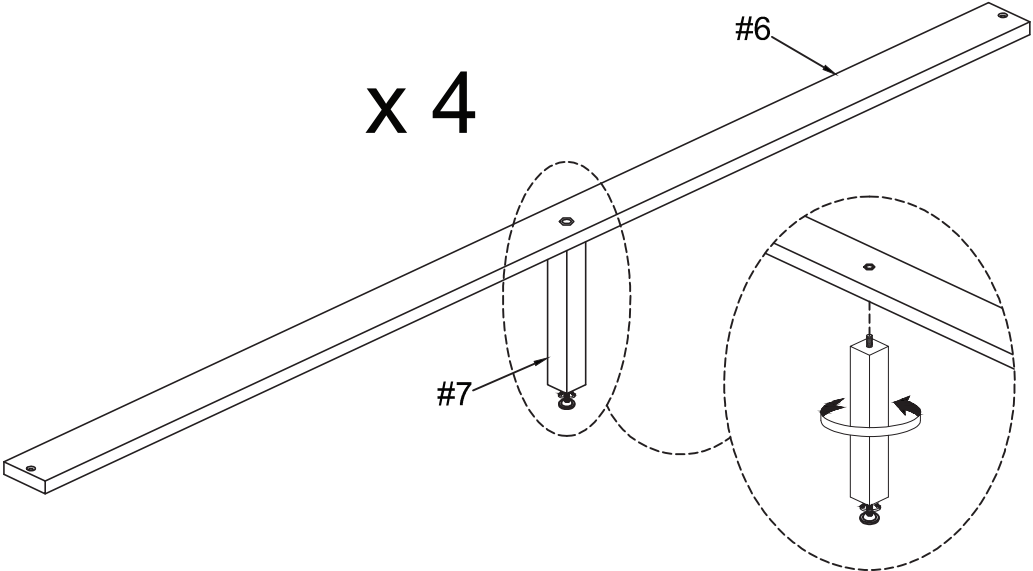
Attach Part # F to the Headboard legs (#2) and the Footboard (#4). Align the Side rails (#5) and secure with Half moon washer (#G) and Hex nut (#H).



4

- Part #6 x1pc
- Part #7 x1pc

Twist the Slat support leg(#7) onto the Slat (#6). Use levelers to adjust the height of the support leg.

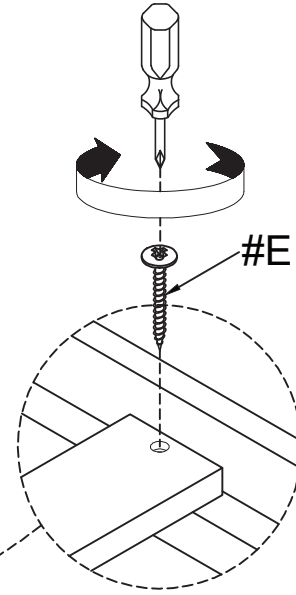
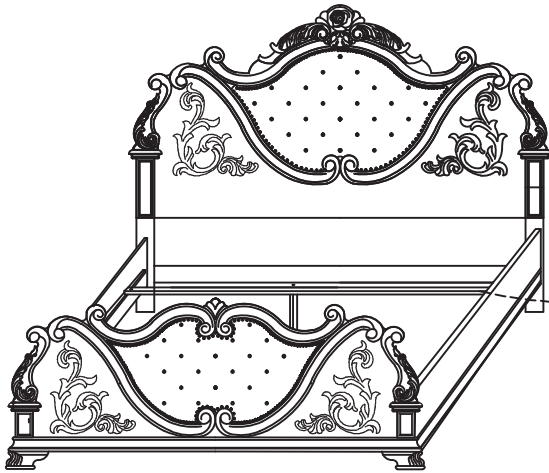


ASSEMBLY INSTRUCTIONS

5

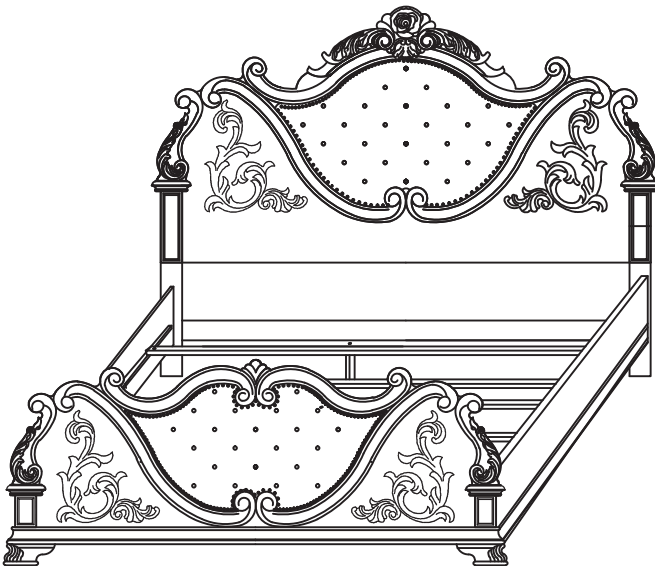
Hardware **#E** x8 pcs

Align Slats (#6) with evenly within the frame and secure by using Screw (#E).



#5

6



ASSEMBLY COMPLETED



Please ensure the furniture rests on an even and flat surface. If the product wobbles or feels loose, double-check all bolts and/or screws are properly tightened and secured.

✓ Keep this handy!

Please retain this instruction manual and any order-related information for future reference.

✓ Lift, don't drag!

To avoid damage to product please always LIFT the product when transporting or adjusting the placement.