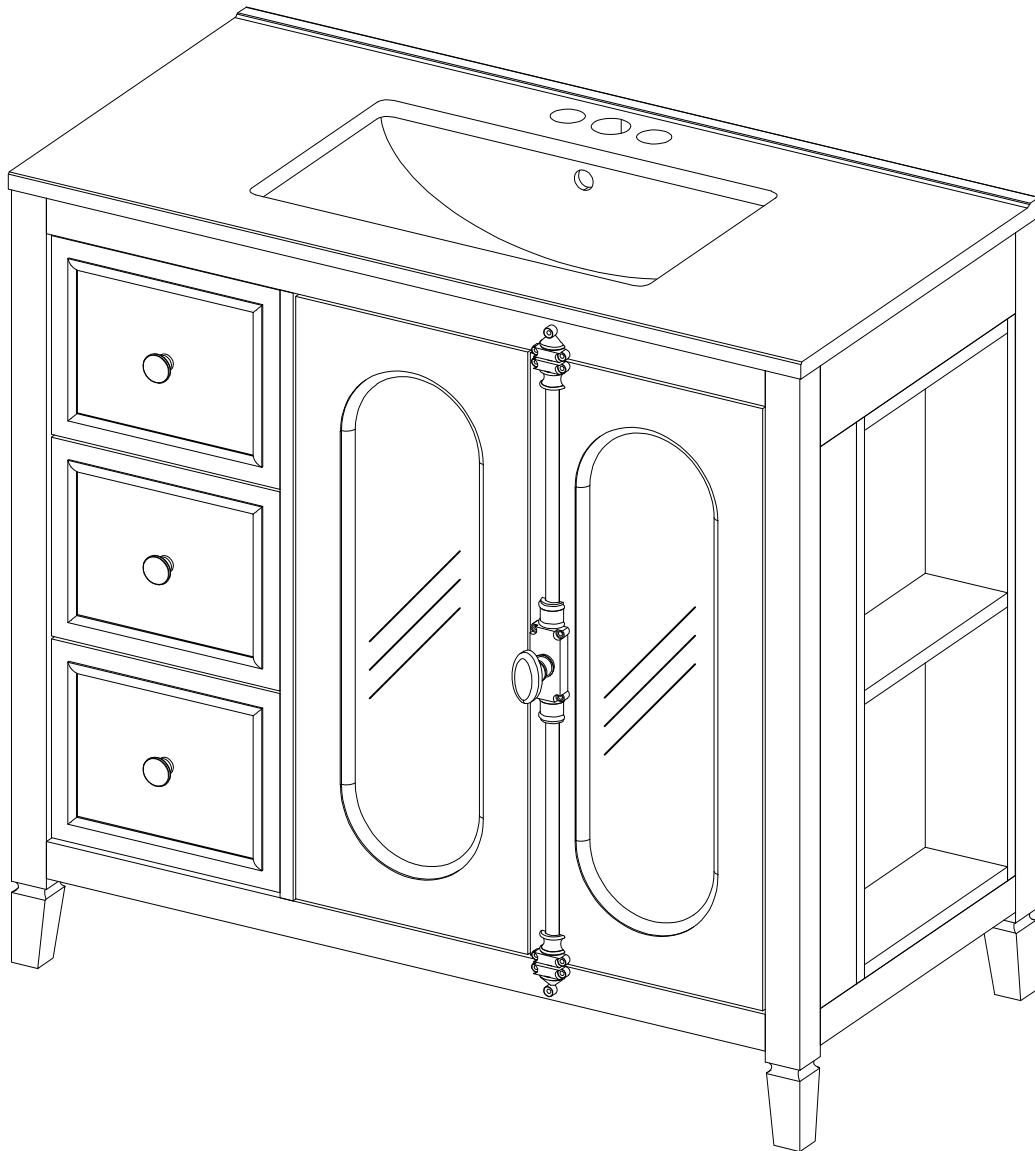


ASSEMBLY INSTRUCTIONS


BATH VANITY-CABINET

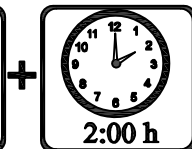
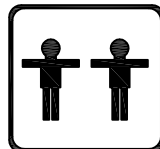
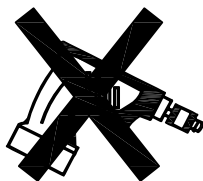


Thank you for purchasing this quality product. Be sure to check all packing material carefully for small parts which may have come loose inside the carton during shipment. Separate, identify and count all parts and hardware.

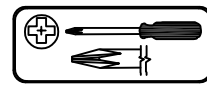
Compare with the parts list to be sure all parts are present.

DO NOT TIGHTEN SCREWS UNTIL COMPLETELY ASSEMBLED

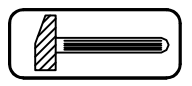

* Use of power tool to assemble this product will invalidate any claim and damage this product making unsafe !!!
* Please assemble on a clean soft surface to avoid damage.



Tools Required



(Not included)

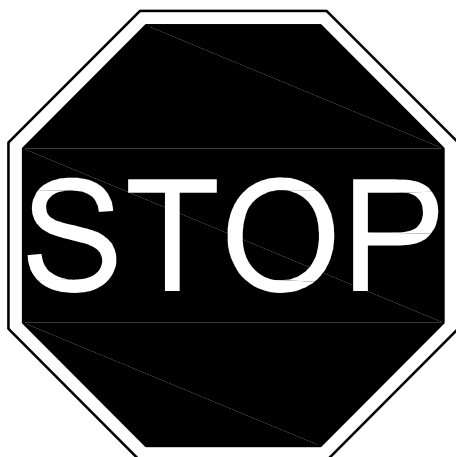


(Not included)

IMPORTANT:

PLEASE READ INSTRUCTION BEFORE STARTING THE ASSEMBLY

PLEASE DO NOT RETURN TO STORE



**Please do not return this product to the retailer!!
We are able to assist you in ANY way**

If you find that you have any trouble with assembly or missing or damaged parts please contact the seller.

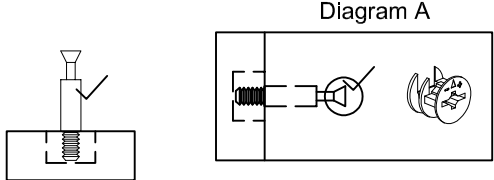
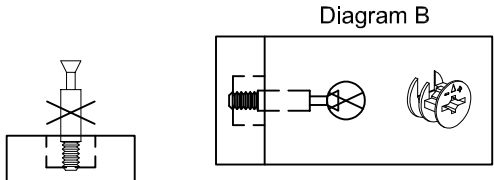
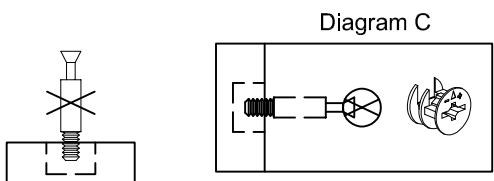
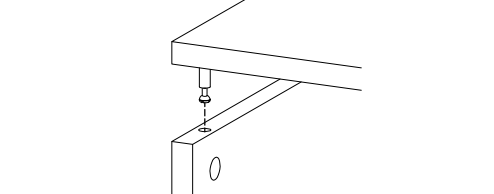
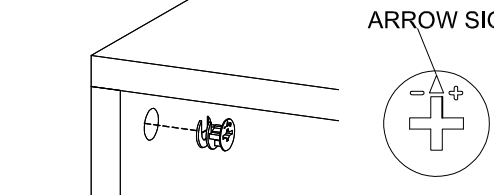
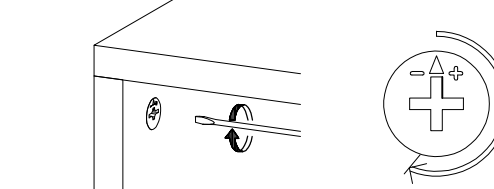
Before Installation

Important – Please read these instructions fully before starting assembly

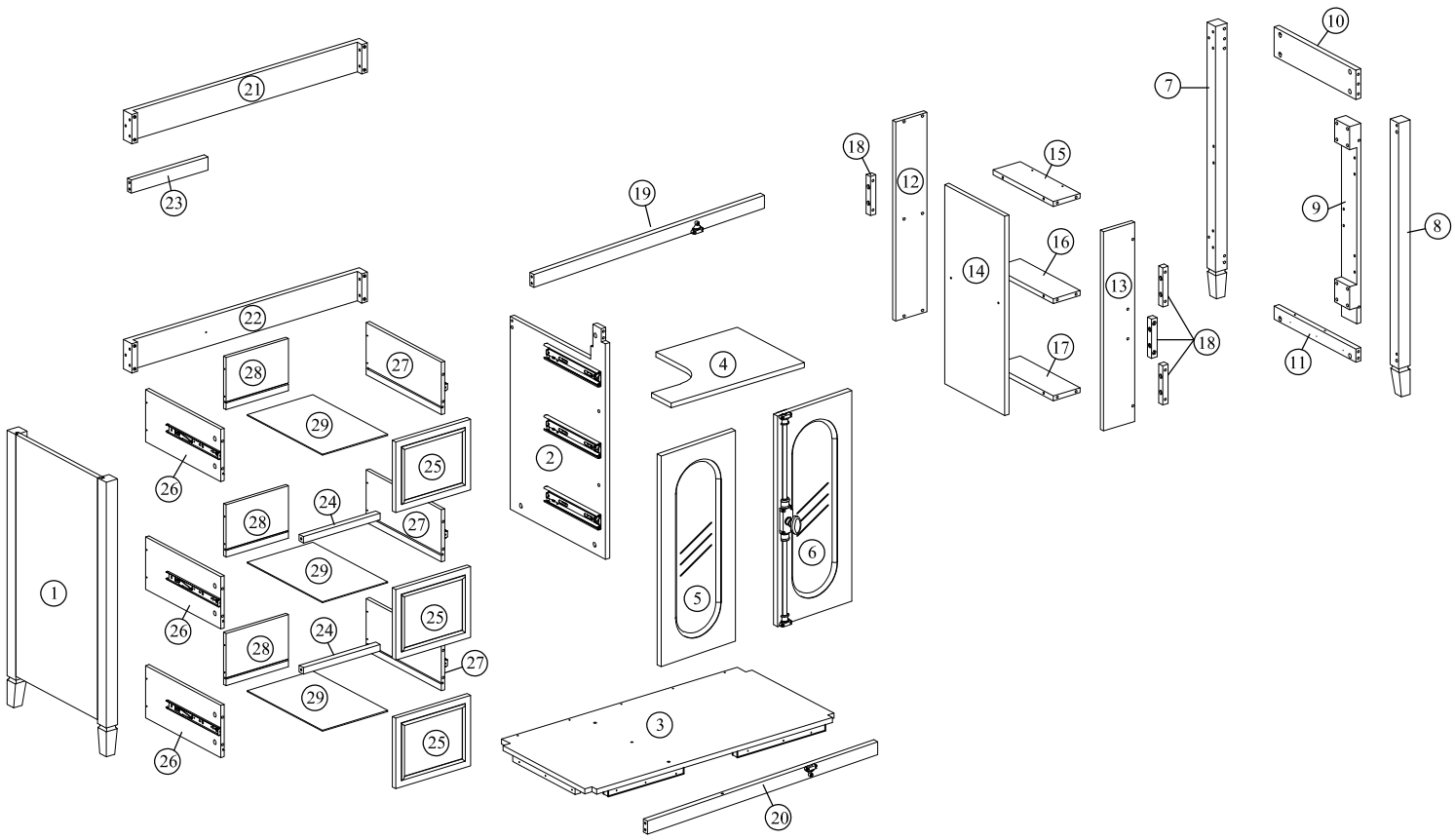
Thank you for purchasing this quality product. Be sure to check all packing materials carefully for small parts, which may have come loose inside the carton during shipment. Identify and count all items according to the PARTS LIST and/or HARDWARE LIST shown below. Check you have all the components and tools listed on the following pages.

- We recommend that you assemble this product with the assistance of another person; this will make the assembly easier, and will help eliminate damage to the product or injury to persons during assembly.
- Please do not over tighten screws or bolts until the assembly is completed.
- Keep children and animal away from the work area, small parts could choke if swallowed.
- Please put all parts on a non-abrasive floor before assembly, and follow the assembly steps to assemble your newly purchased product correctly and efficiently.

Cam Lock Assembly Instructions

	<p>Diagram A</p> <p>Insert Cam Bolt into hole as shown in diagram A.</p>
	<p>Diagram B</p> <p>Make sure not to insert the Cam Bolt: Too deep as shown in figure B as this will cause the Cam Lock to be misaligned and unable to interlock properly.</p>
	<p>Diagram C</p> <p>Also avoid inserting the Cam Bolt too close to the surface of the hole as shown in figure C, as this will cause the Cam Lock to be too loose, and not interlock properly.</p>
	<p>Connect the panels together.</p>
	<p>ARROW SIGN</p> <p>Insert the Cam Lock so the side opening fits over the head of the Cam Bolt.</p>
	<p>To tighten the Cam Lock, turn it clockwise on half a turn with a flat screwdriver. <i>*Do not use an automatic screwdriver as it may bend or break if too much power is imposed.</i></p>

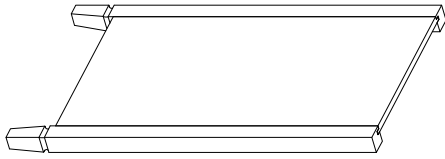
Detail View



Identifying the Hardware-Identify the hardware using the illustrations below.

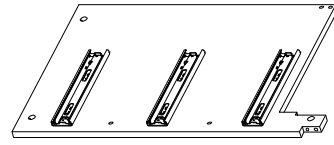
Part Lists N710P223192F

1



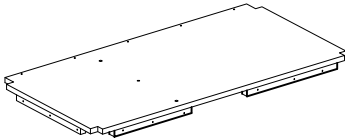
Side Panel (L) - 1pc

2



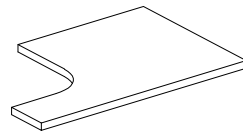
Mid Panel - 1pc

3



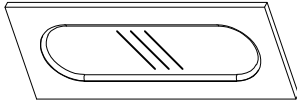
Bottom Frame - 1pc

4



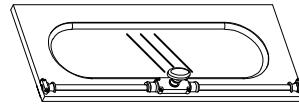
Adjustable Shelf - 1pc

5



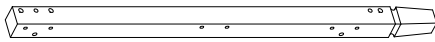
Door Cabinet (L) - 1pc

6



Door Cabinet (R) - 1pc

7



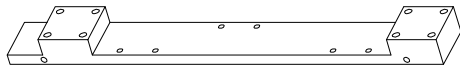
Right Back Leg - 1pc

8



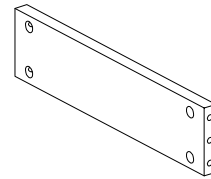
Right Front Leg - 1pc

9



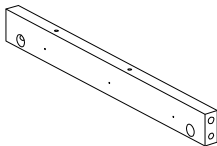
Post Frame - 1pc

10



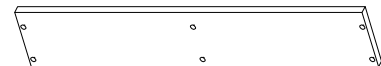
Top Wood Bar - 1pc

11



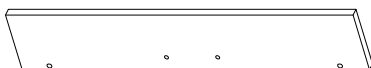
Bottom Wood Bar - 1pc

12



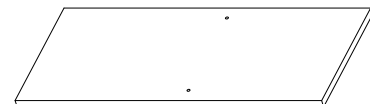
Back Panel - 1pc

13



Front Panel - 1pc

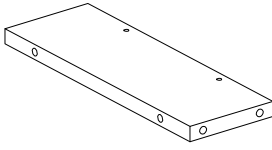
14



Middle Panel - 1pc

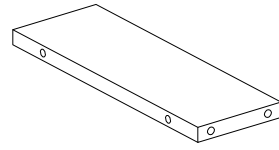
Part Lists N710P223192F

15



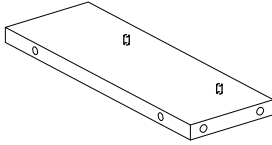
Top Shelf - 1pc

16



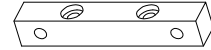
Middle Shelf - 1pc

17



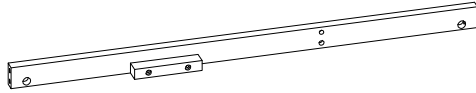
Bottom Shelf - 1pc

18



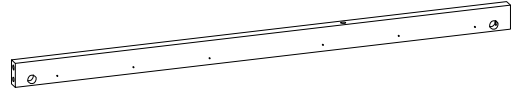
Support Piece (4pcs)

19



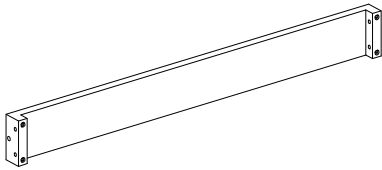
Top Front Crossbar - 1pc

20



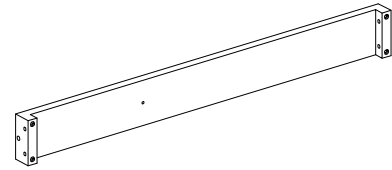
Bottom Front Crossbar - 1pc

21



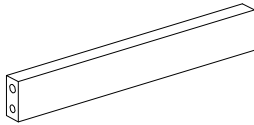
Back Rear Crossbar - 1pc

22



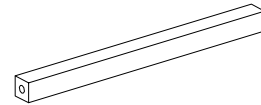
Top Rear Crossbar - 1pc

23



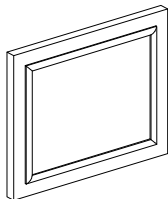
Small Crossbar - 1pc

24



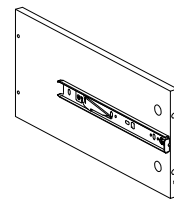
Middle Crossbar - 2pcs

25



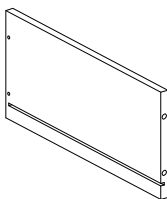
Drawer Face - 3pcs

26



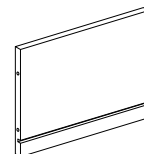
Drawer Panel (L) - 3pcs

27



Drawer Panel (R) - 3pcs

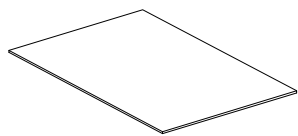
28



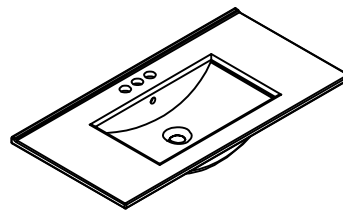
Back Drawer Panel - 3pcs

Part Lists N710P223192F

29


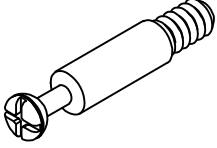


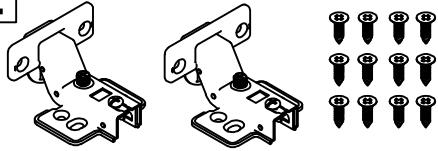
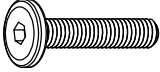
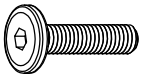
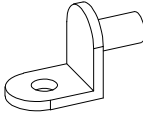

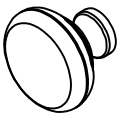
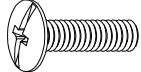
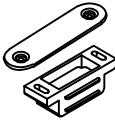


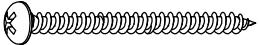
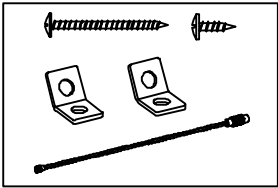
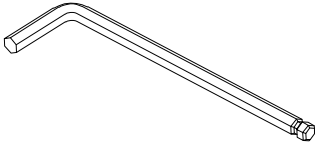


Bottom Panel - 3pcs

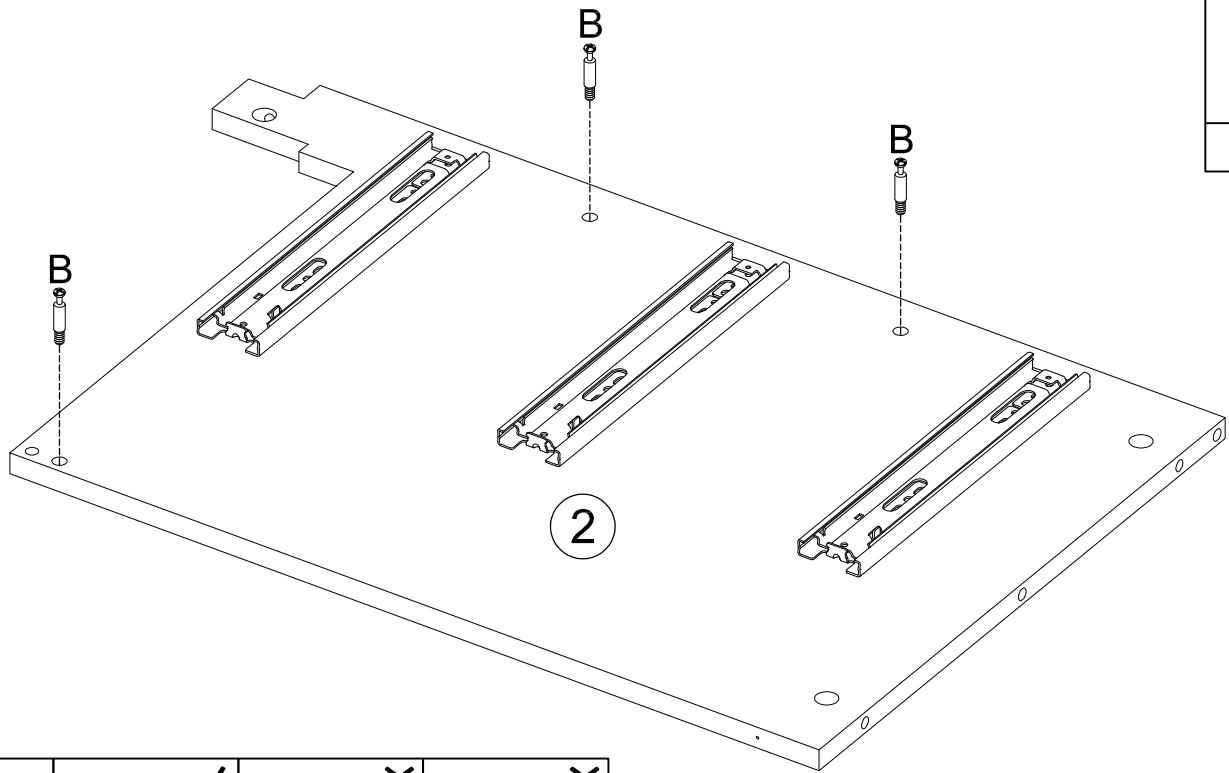


Sink - 1pc


Hardware Lists - N710P223192F

<p>A</p>  <p>Ø8*20mm</p> <p>Wood dowel (21pcs)</p>	<p>B</p>  <p>Ø6*34mm</p> <p>Three in one bolts (49pcs)</p>	<p>C</p>  <p>Ø14.5*9.5mm</p> <p>Three in one locks (49pcs)</p>
<p>D</p>  <p>Ø8xØ4*25mm</p> <p>Round head screw (22pcs)</p>	<p>E</p>  <p>Damping hinge (2set)</p>	<p>F</p>  <p>Ø13xØ1/4*30mm</p> <p>Hex-Head bolt (8pcs)</p>
<p>G</p>  <p>Ø13xØ1/4*25mm</p> <p>Hex-Head bolt (16pcs)</p>	<p>H</p>  <p>Shelf Pin (3pcs)</p>	<p>I</p>  <p>Ø6xØ3*12mm</p> <p>Round head screw (3pcs)</p>
<p>J</p>  <p>Handle(3pcs)</p>	<p>K</p>  <p>Ø5/32*15mm</p> <p>Handle screw (3pcs)</p>	<p>L</p>  <p>45*12*1mm 45*17*14mm</p> <p>Plastic Door Magnet (2set)</p>
<p>M</p>  <p>Ø6xØ3*15mm</p> <p>Flat head screw (8pcs)</p>	<p>N</p>  <p>Ø10x10mm</p> <p>Plastic Canopy (12pcs)</p>	<p>O</p>  <p>Ø8xØ4*50mm</p> <p>Round head screw (12pcs)</p>
<p>P</p>  <p>Anti fall Hardware (2sets)</p>	<p>Q</p>  <p>K4mm</p> <p>Allen key (1pc)</p>	

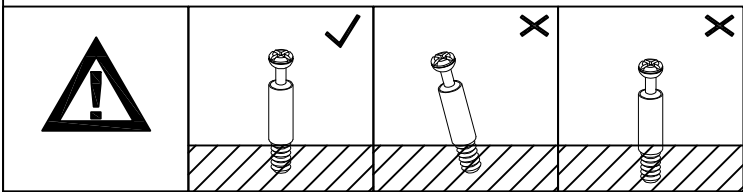
STEP: 1



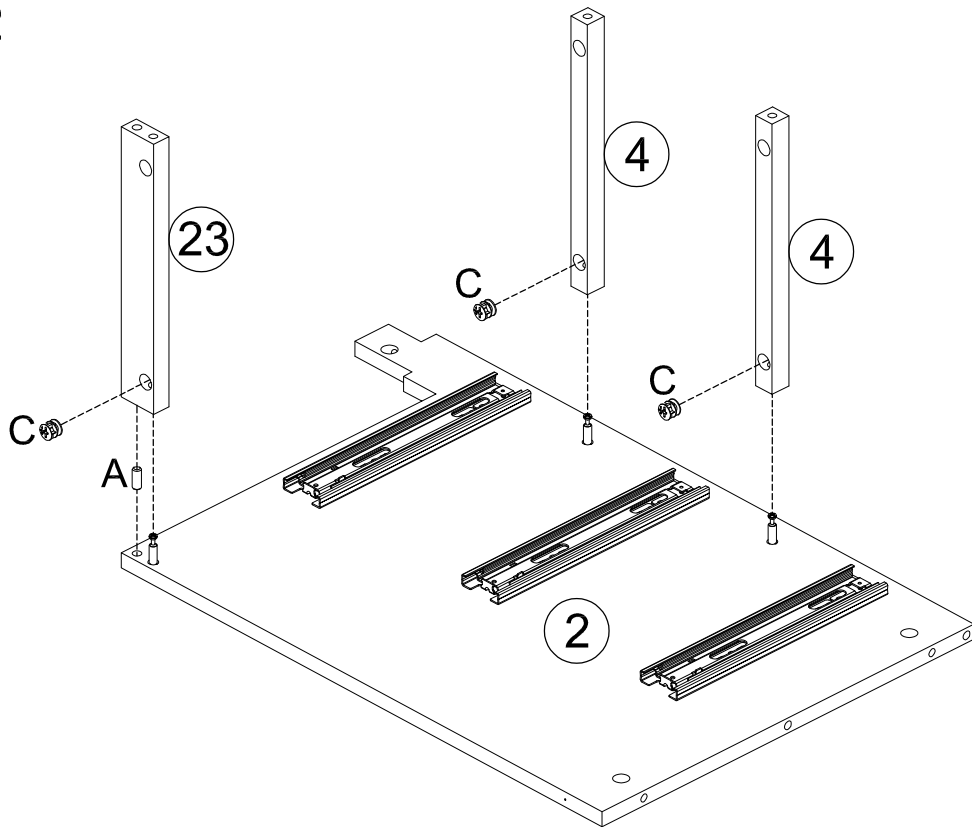
B



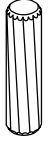
3pcs



STEP: 2




A

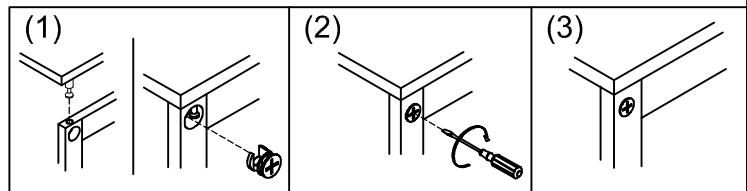


1pc

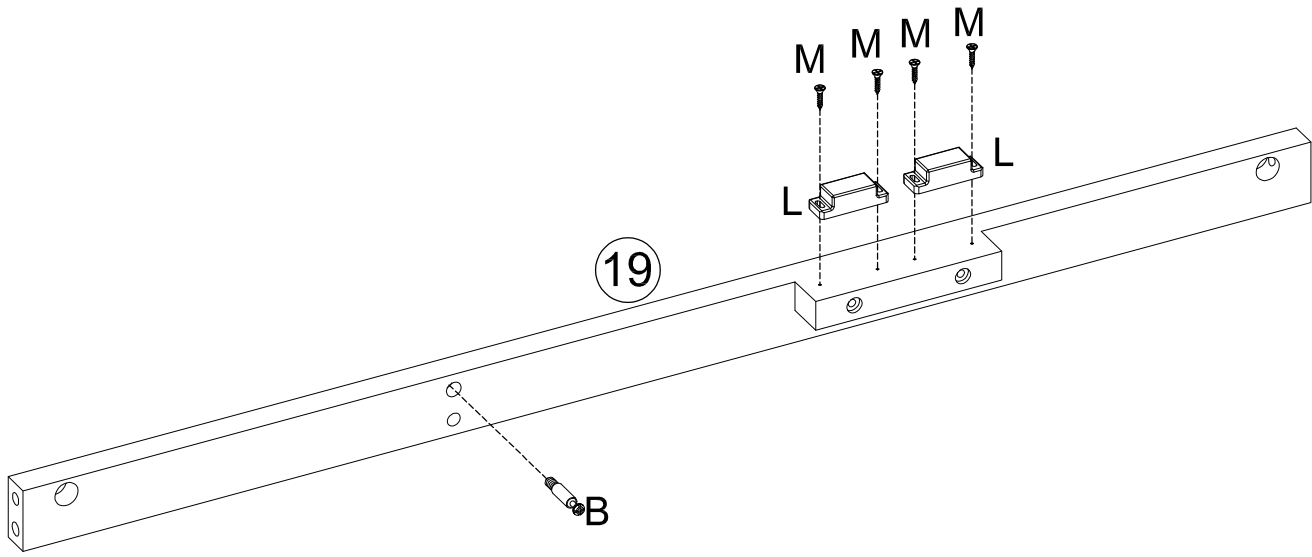
C



3pcs



STEP: 3

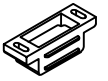


B



1pc

L



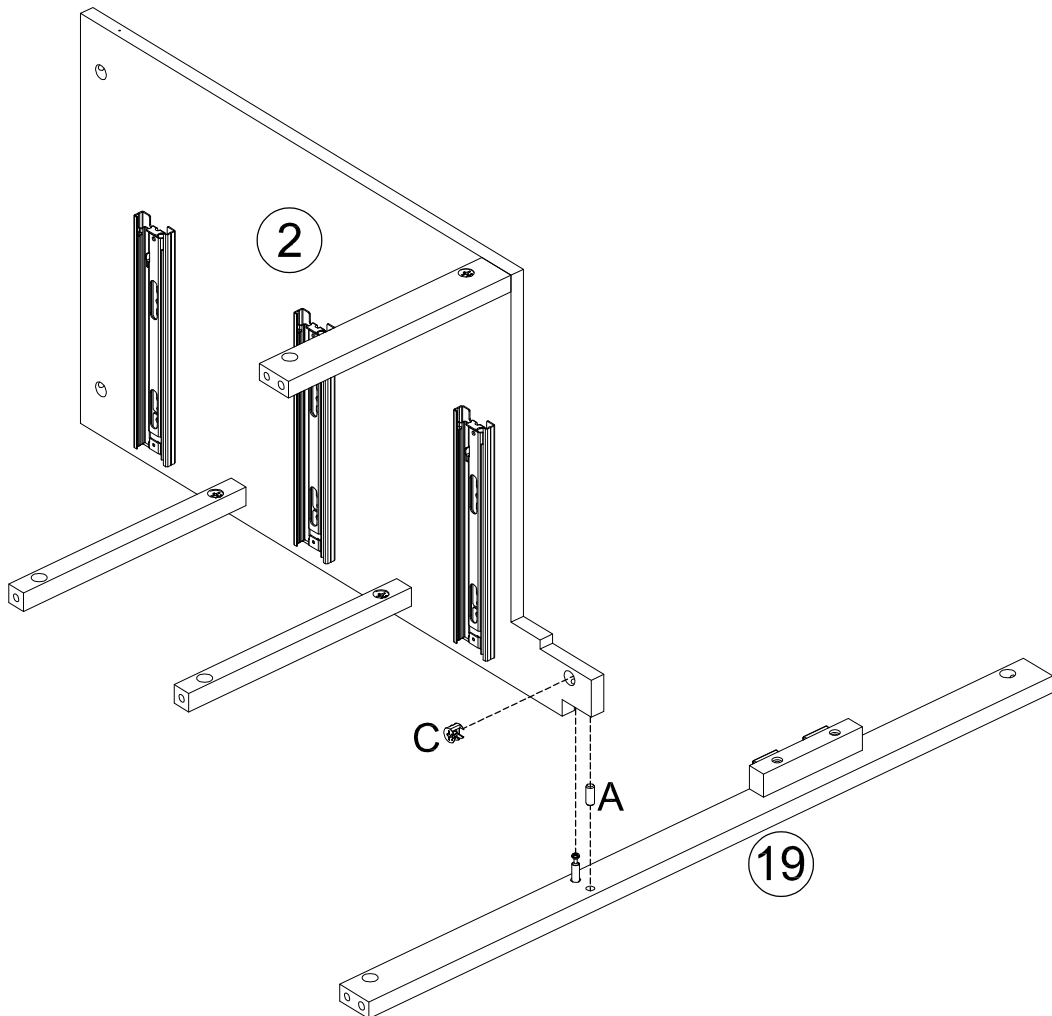
2pcs

M



4pcs

STEP: 4



A



1pc

C



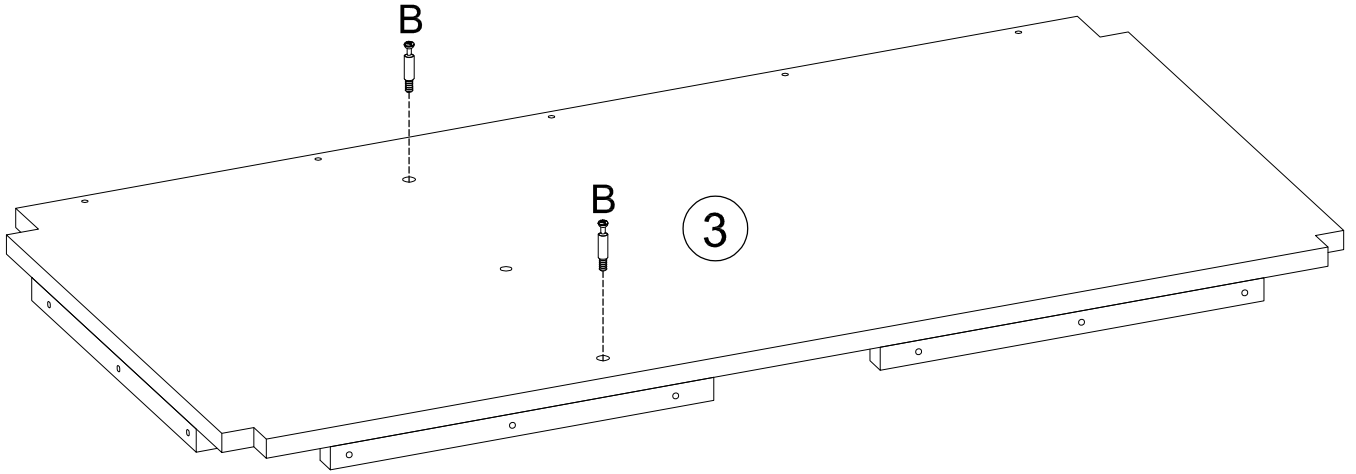
1pc

STEP: 5

B



2pcs

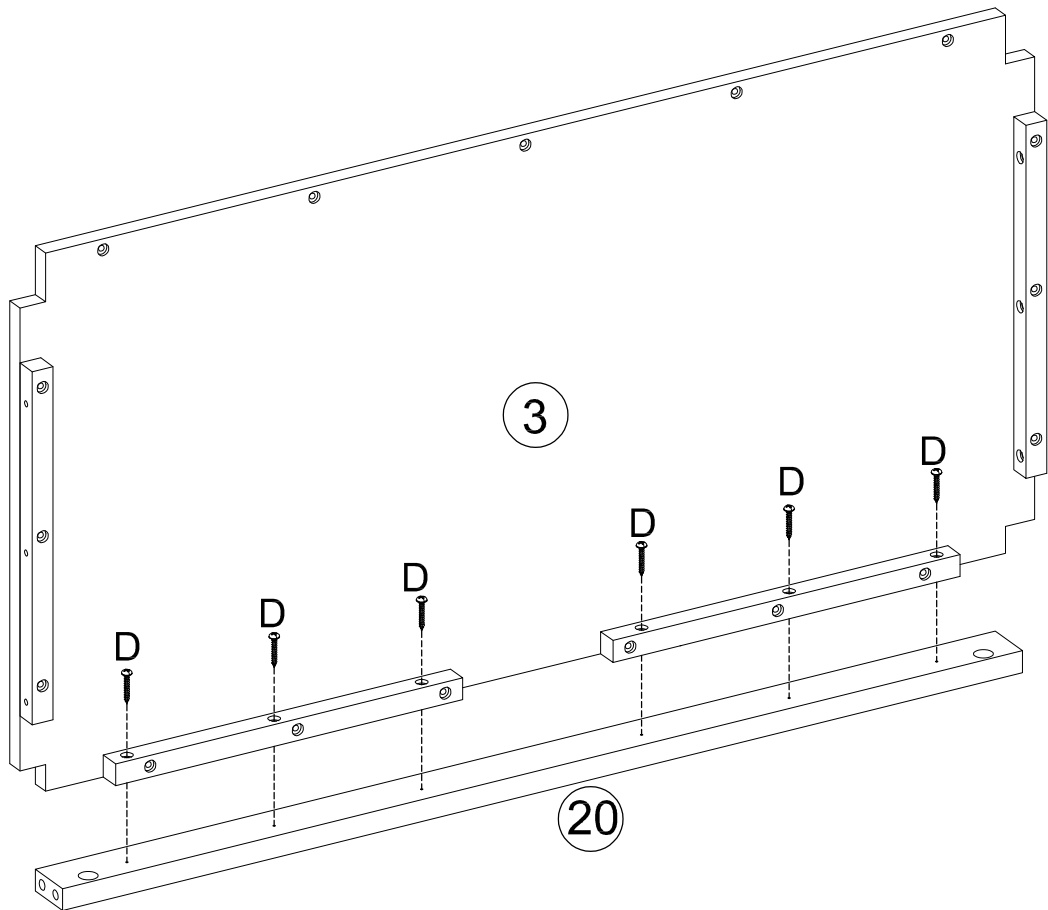


STEP: 6

D



6pcs



STEP: 7

A

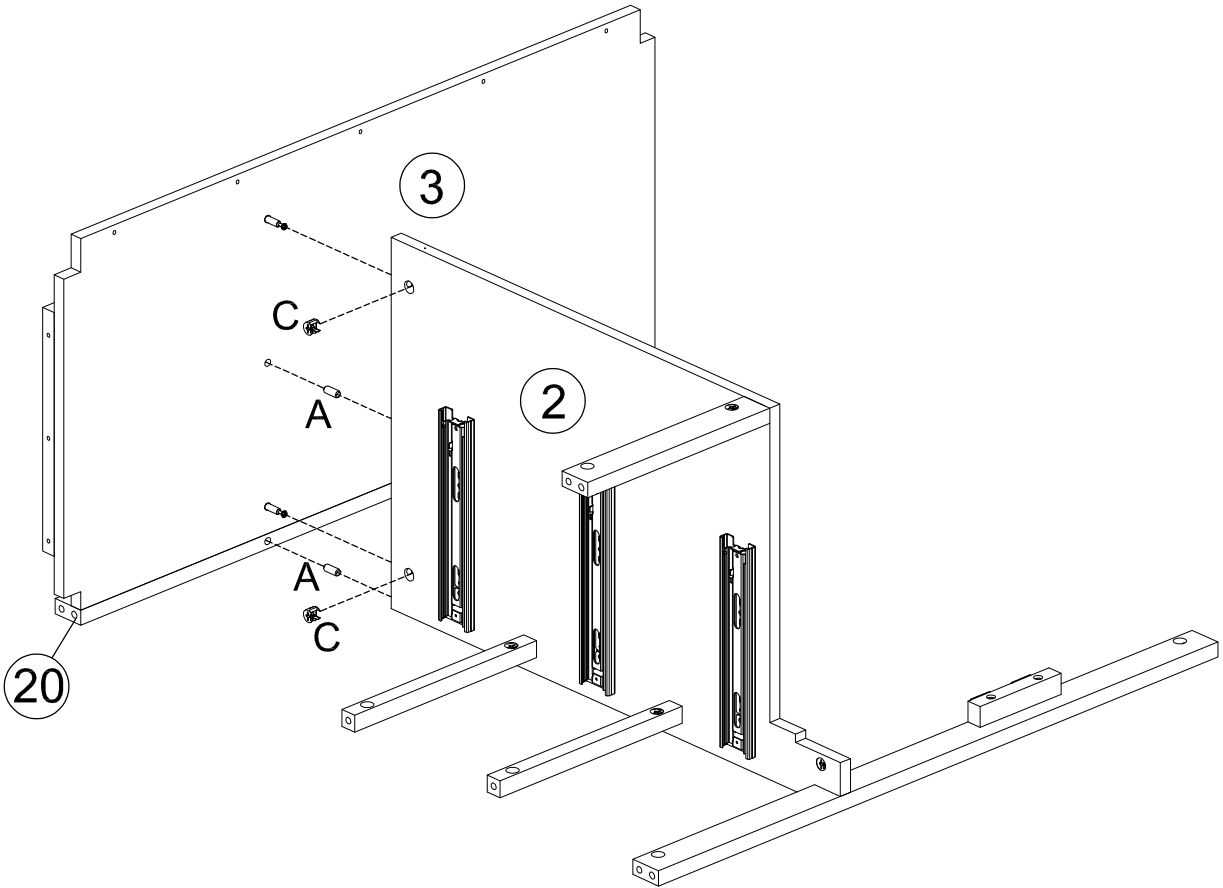


2pcs

C



2pcs

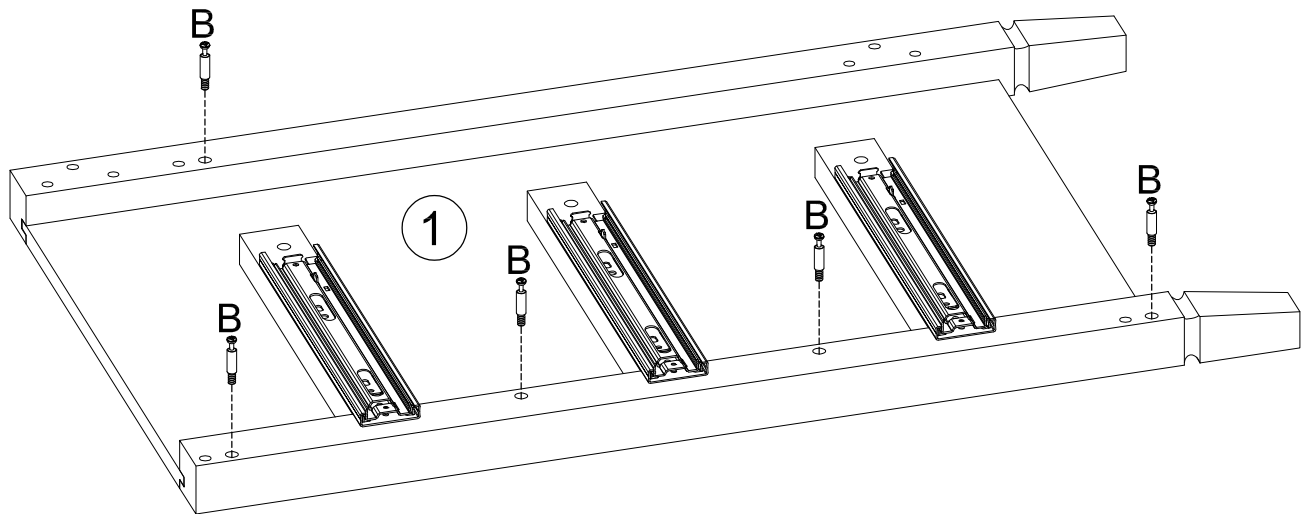


STEP: 8

B



5pcs



STEP: 9

A

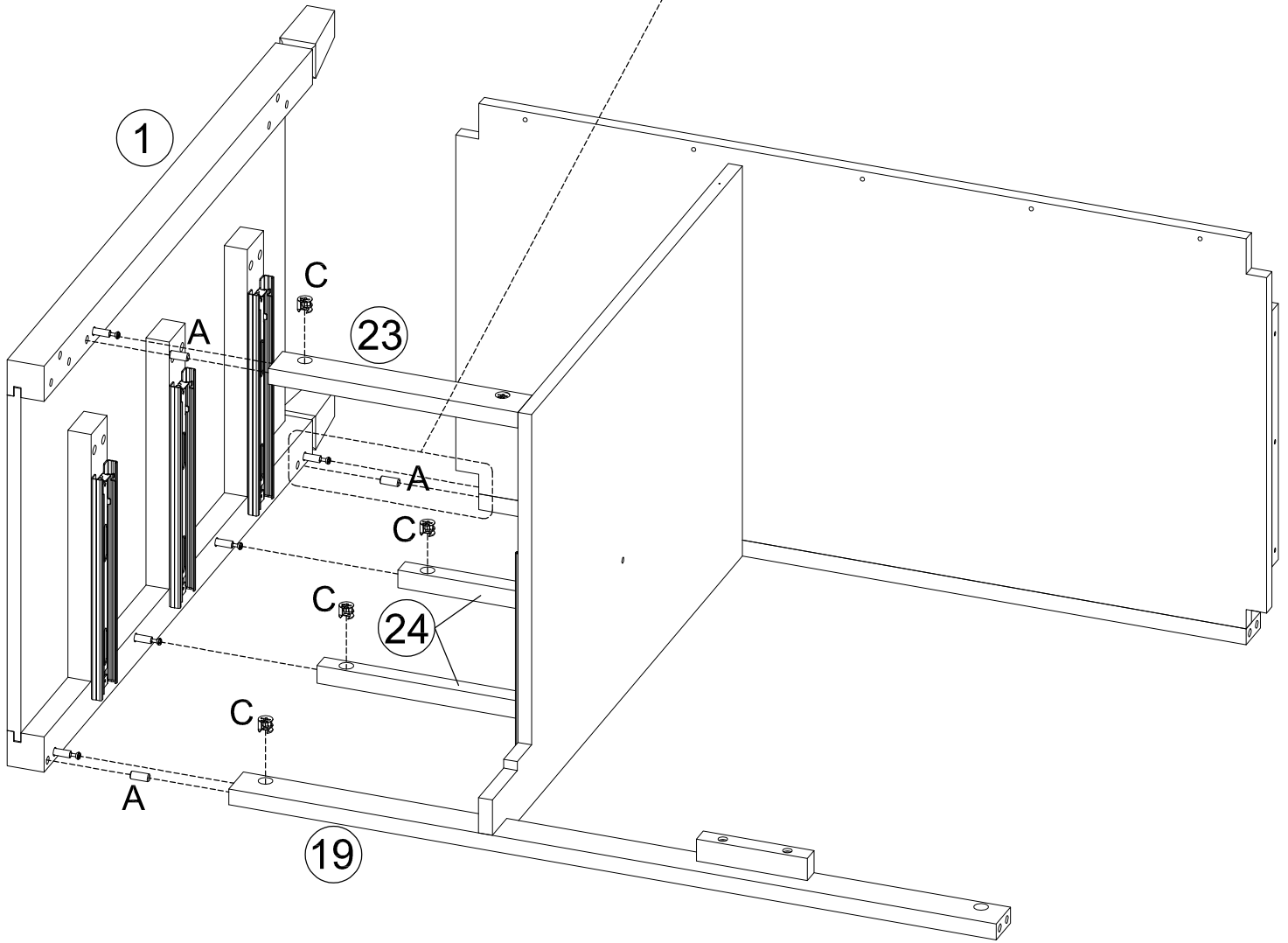
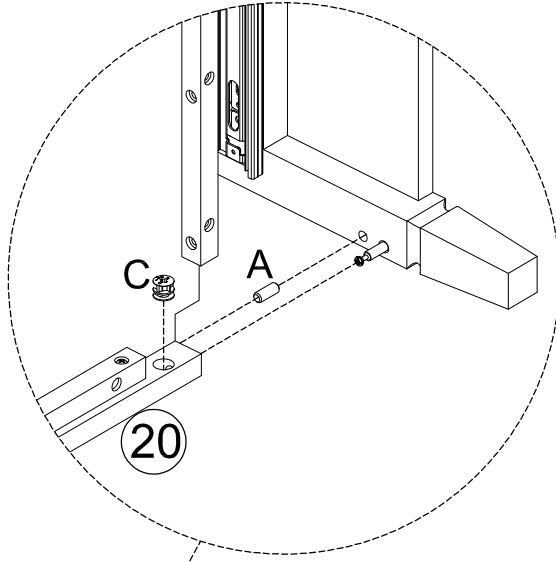


3pcs

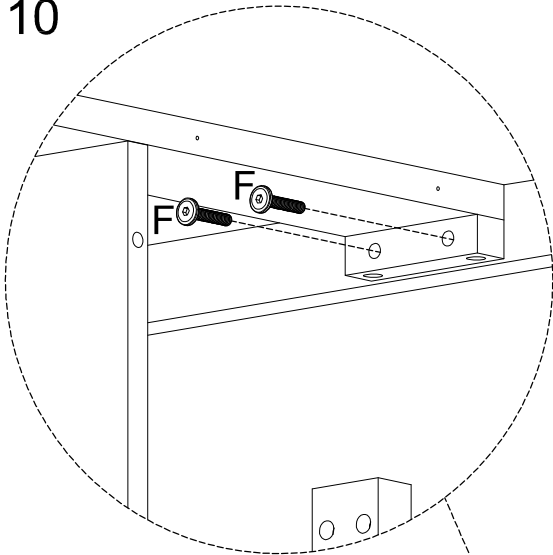
C



5pcs



STEP: 10

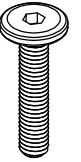


A

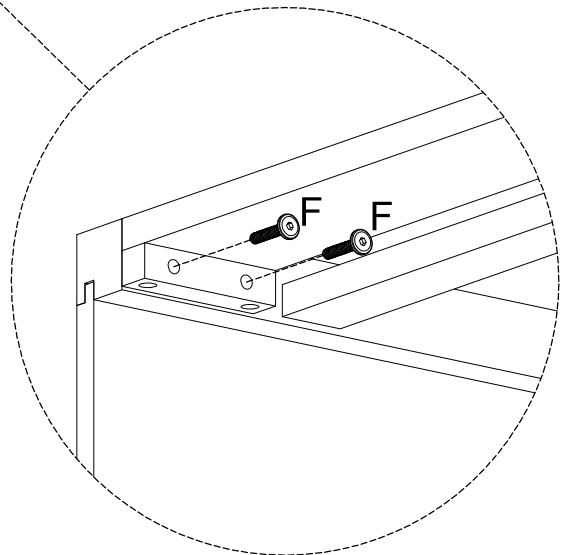
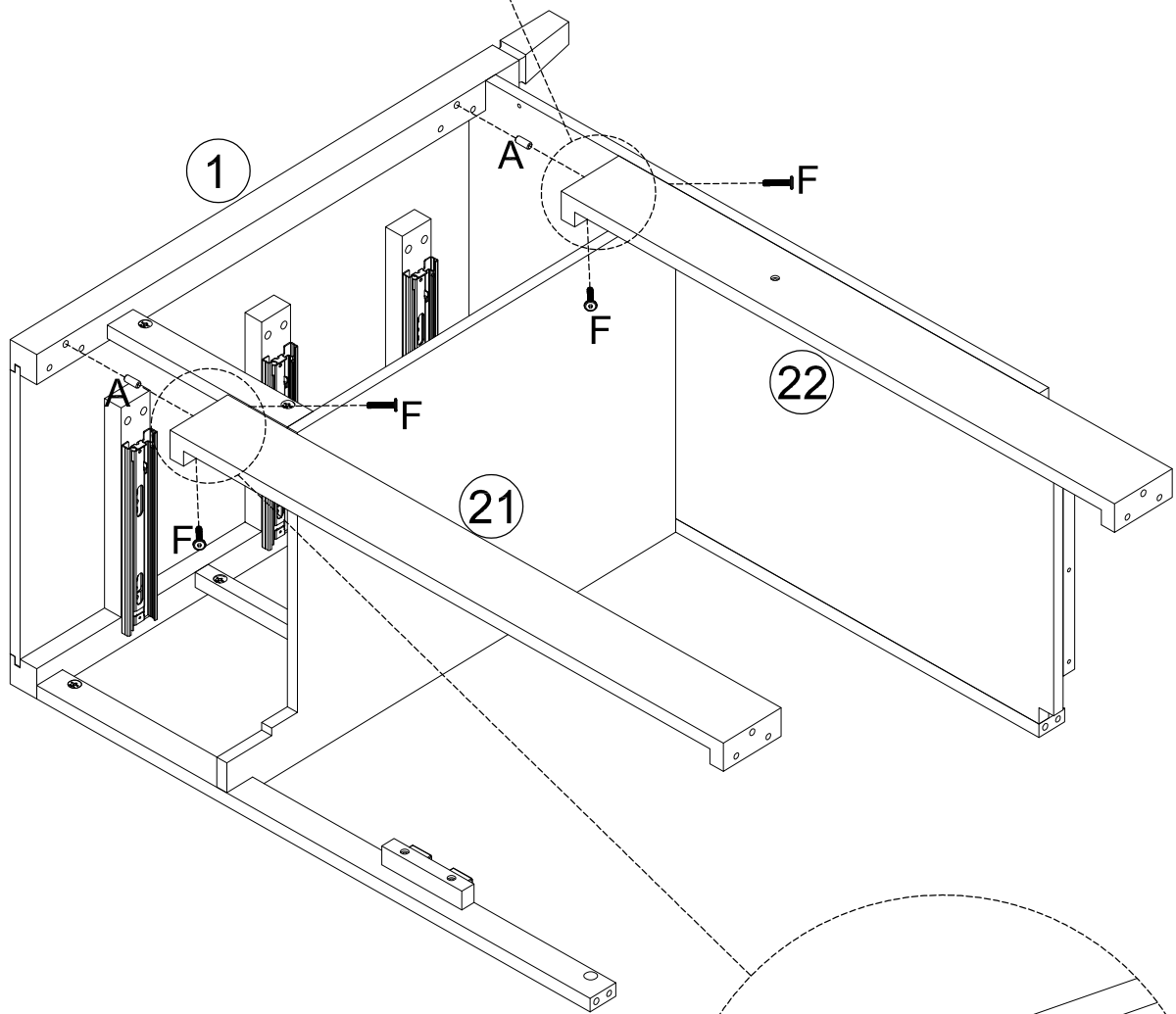


2pcs

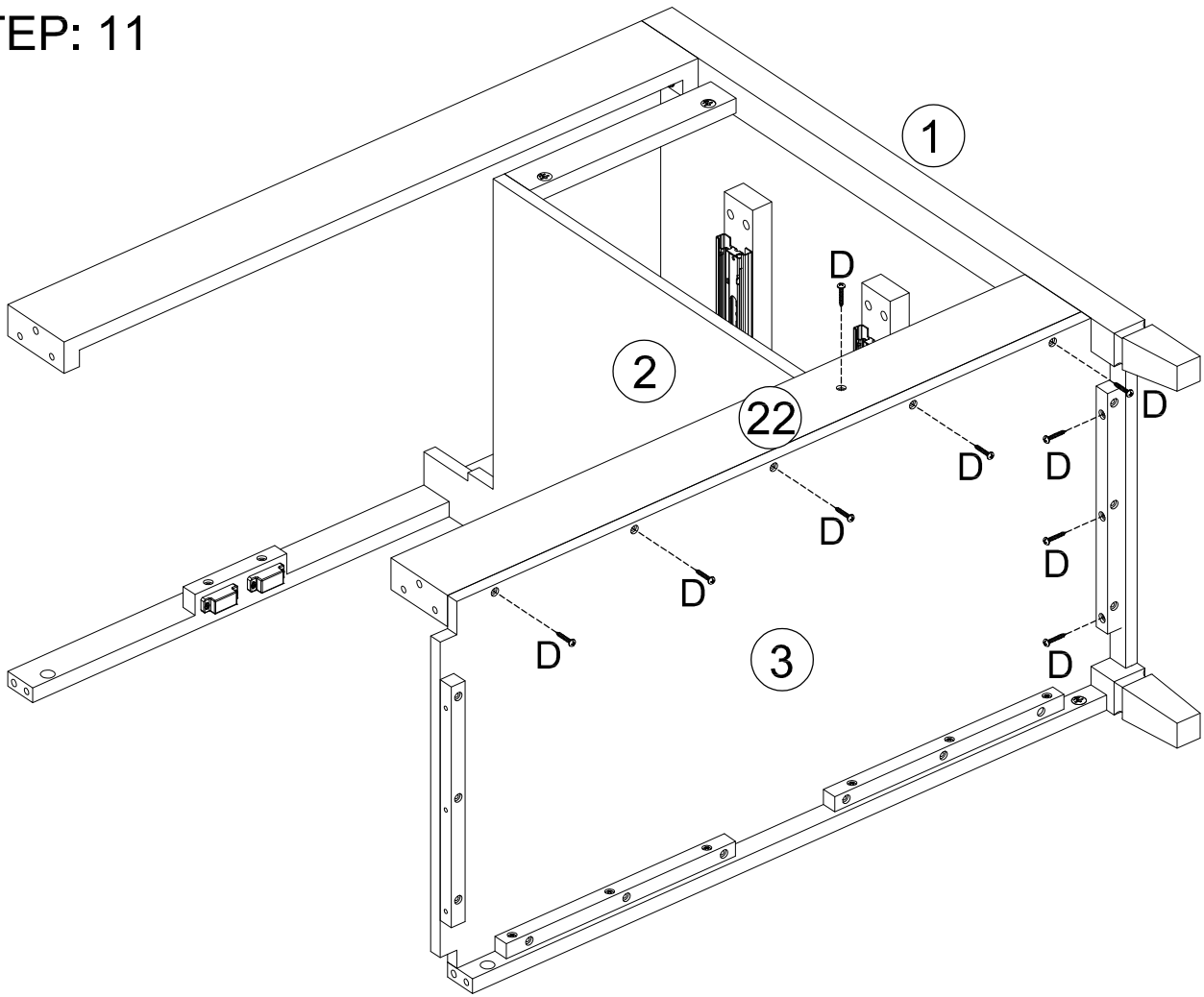
F



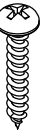
4pcs



STEP: 11

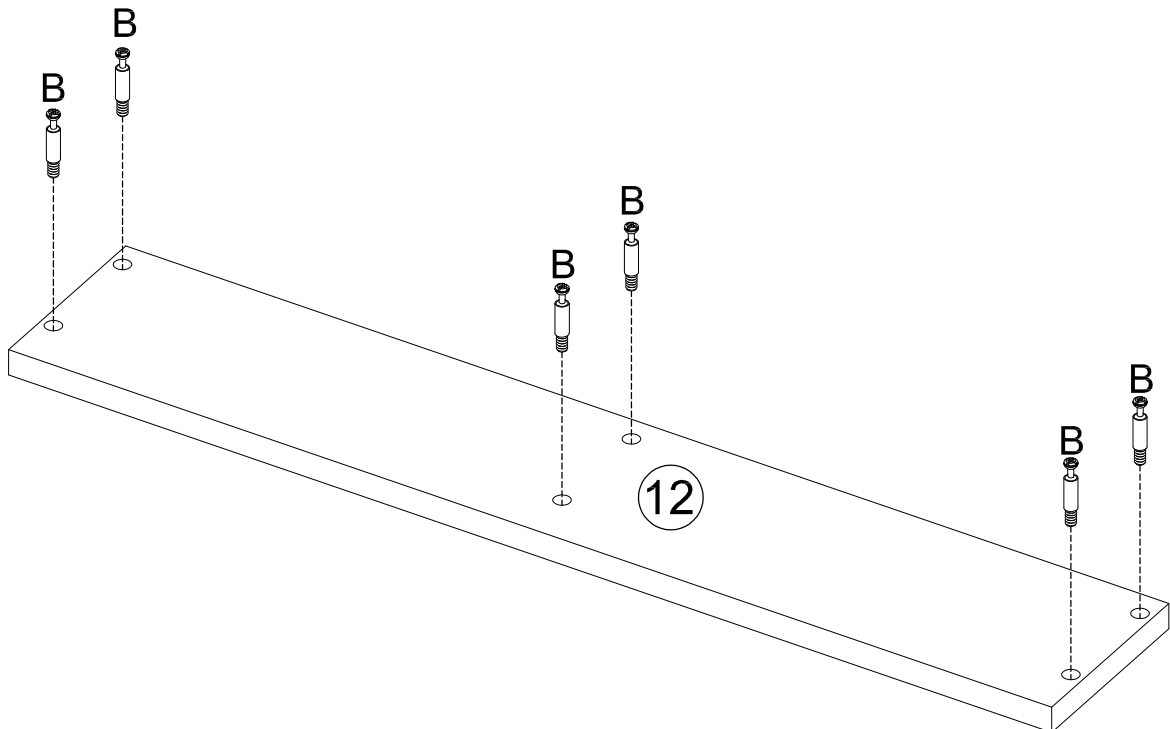


D



9pcs

STEP: 12

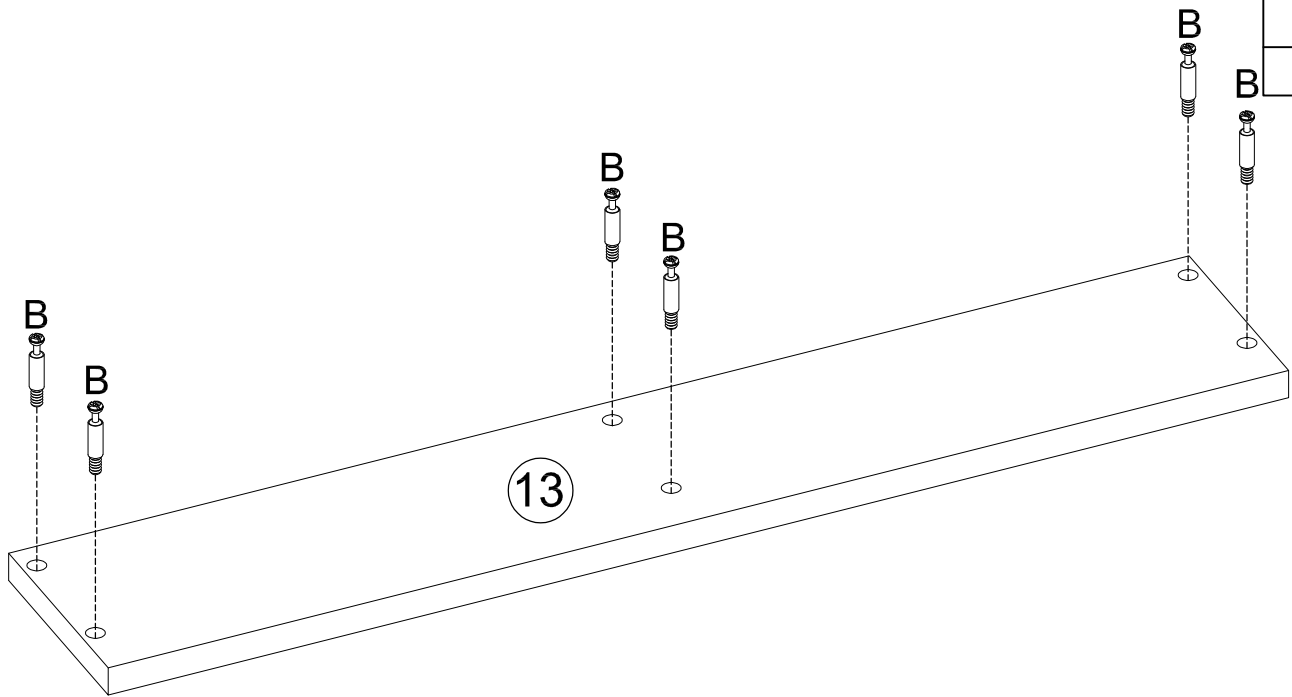


B



6pcs

STEP: 13

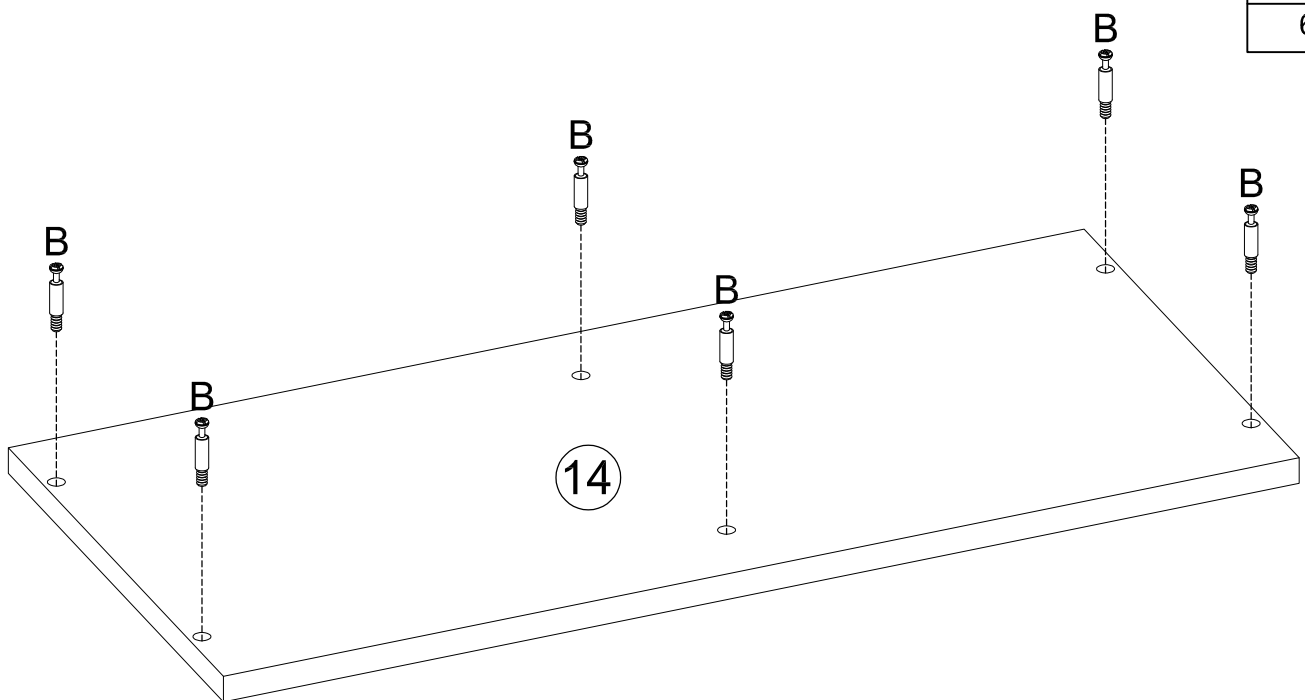


B



6pcs

STEP: 14

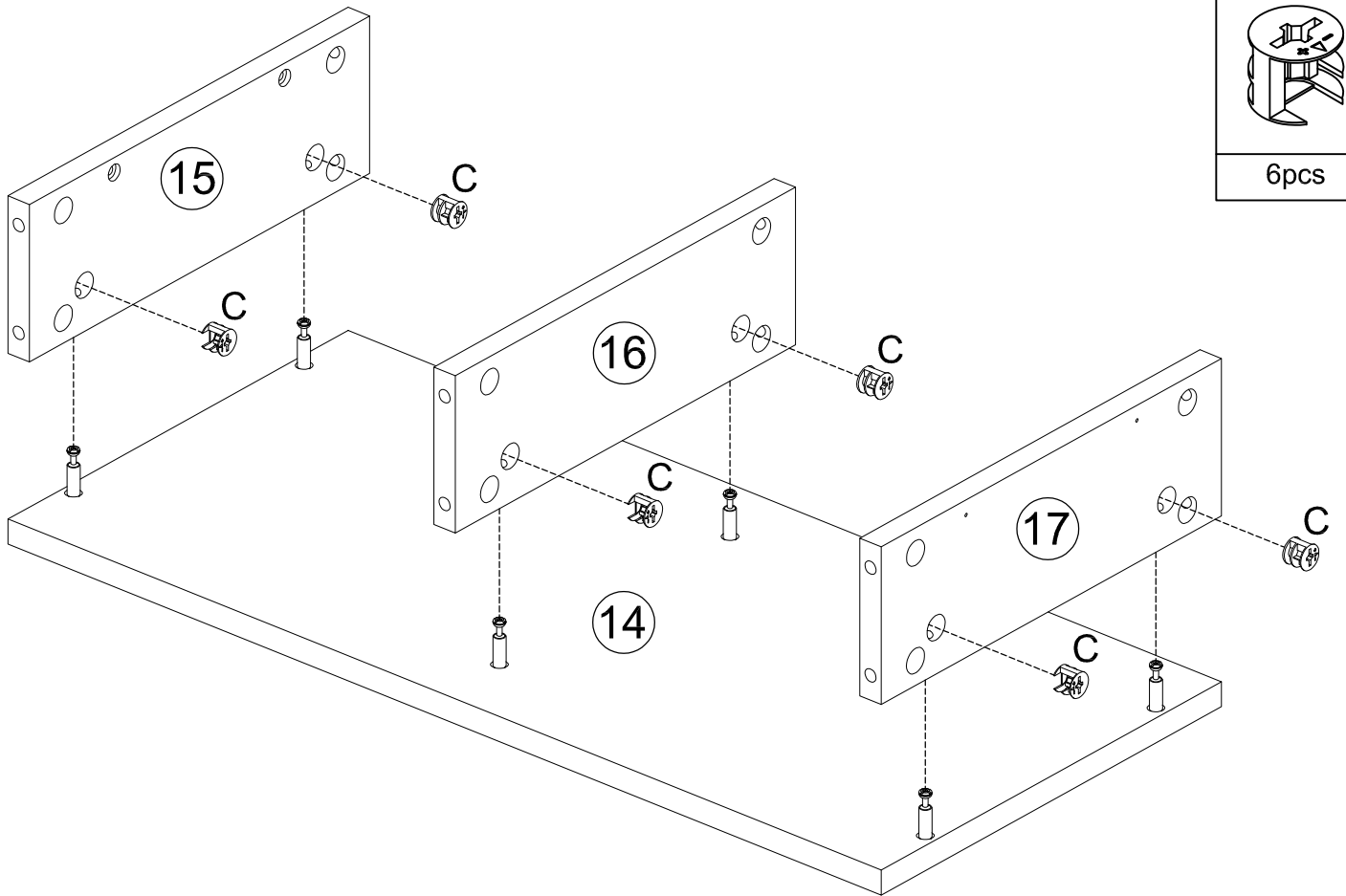


B

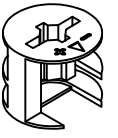


6pcs

STEP: 15

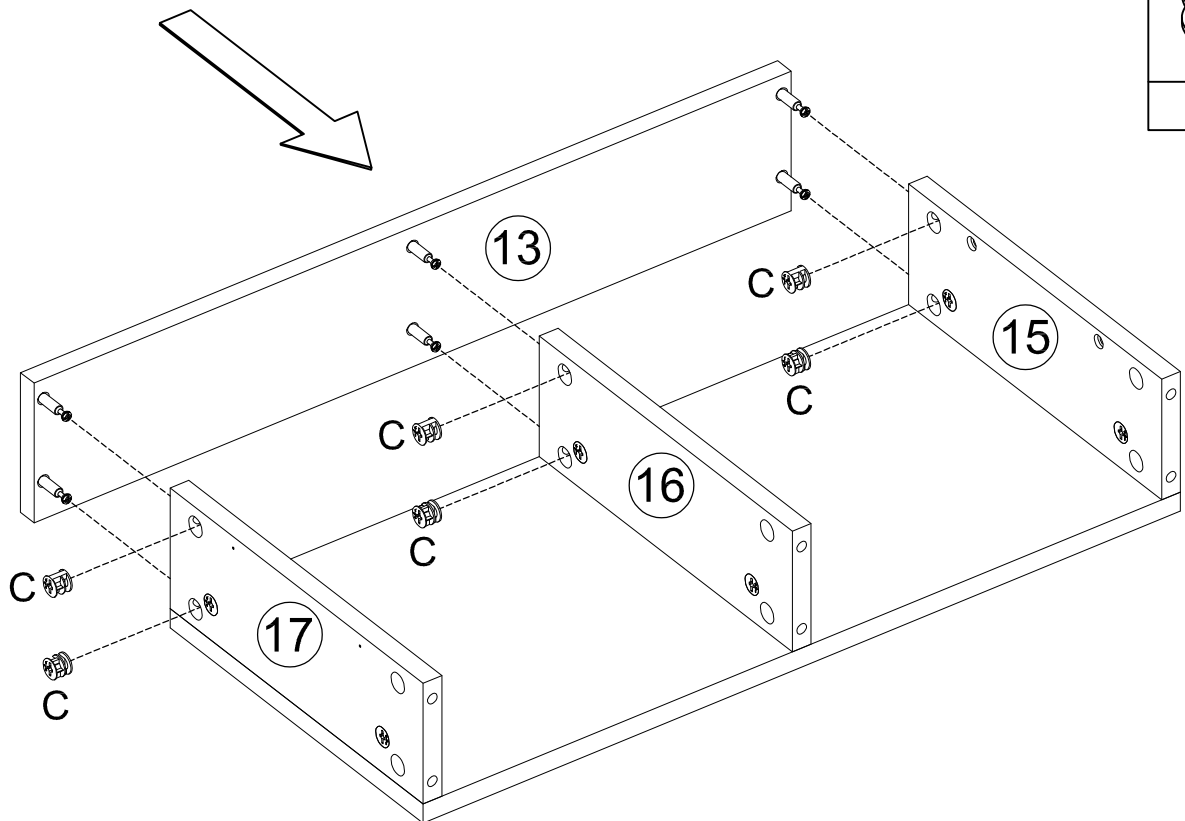


C

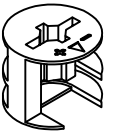


6pcs

STEP: 16

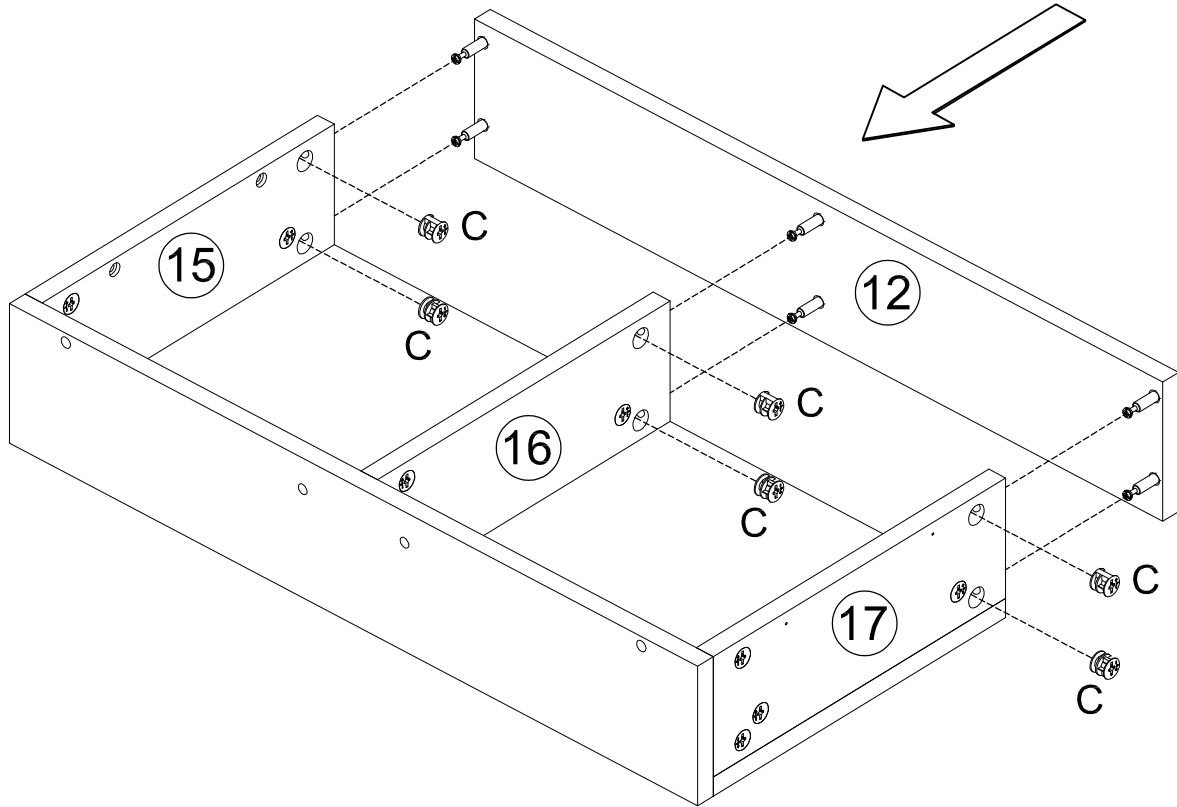


C



6pcs

STEP: 17

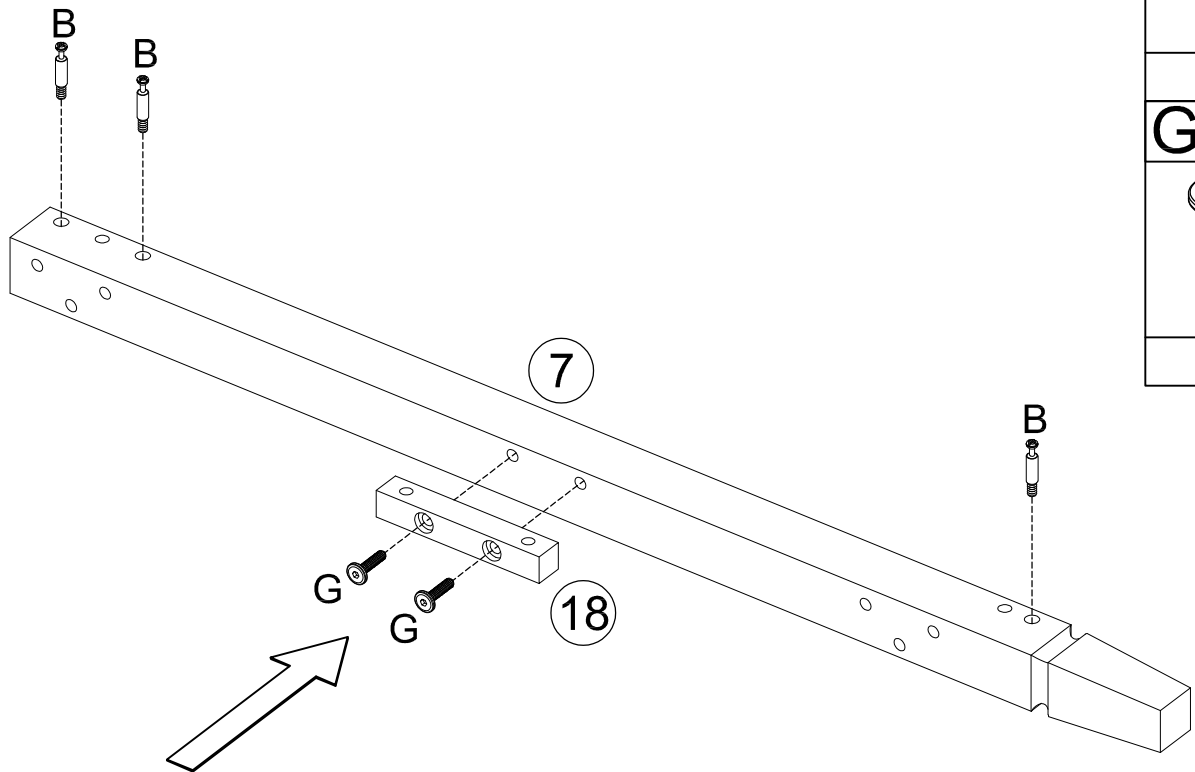


C



6pcs

STEP: 18

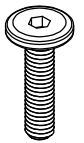


B



3pcs

G



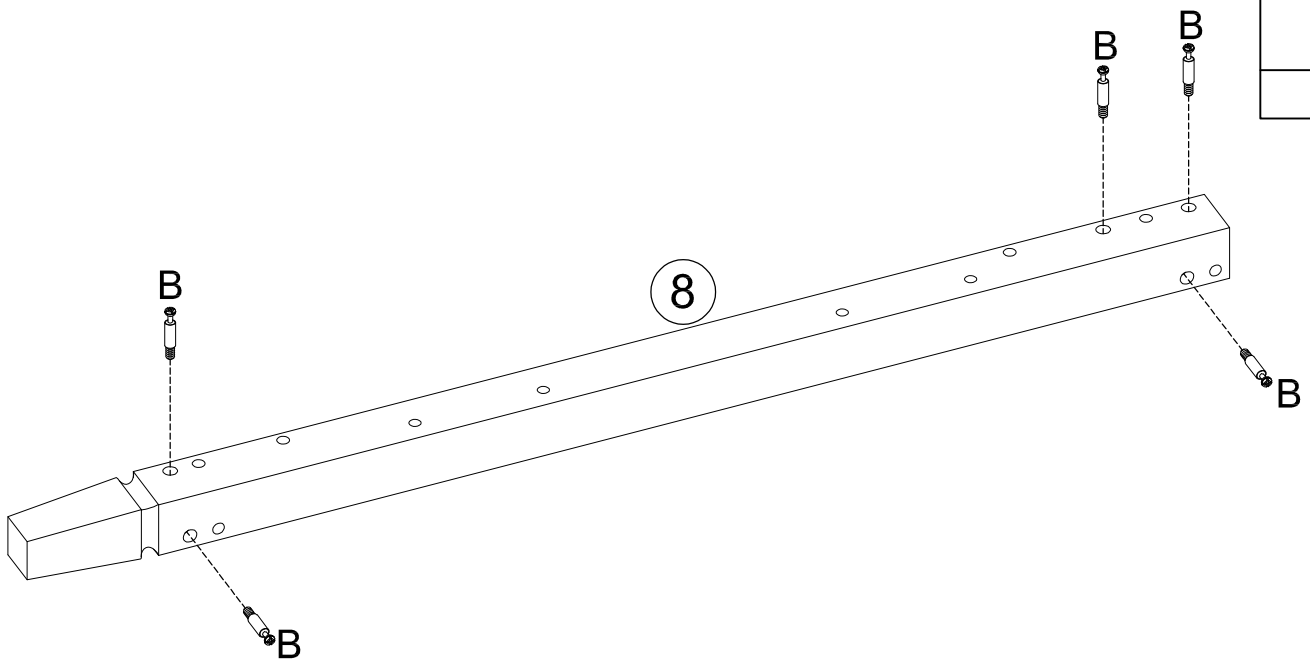
2pcs

STEP: 19

B

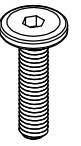


5pcs

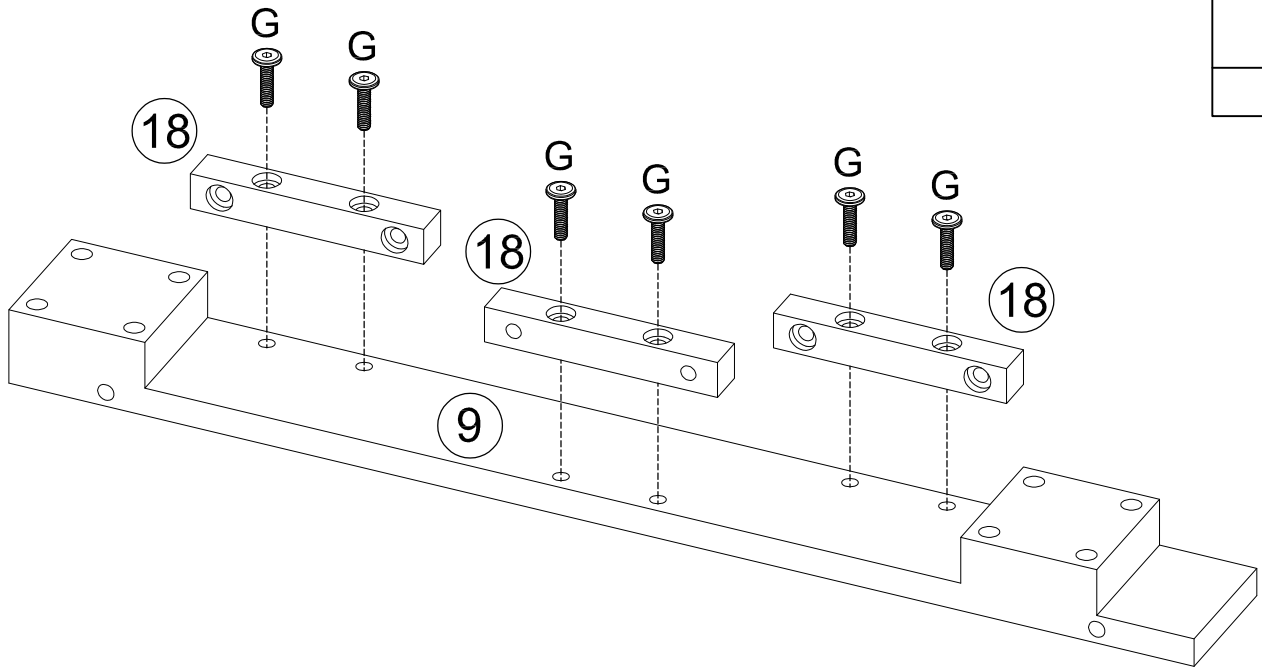


STEP: 20

G



6pcs

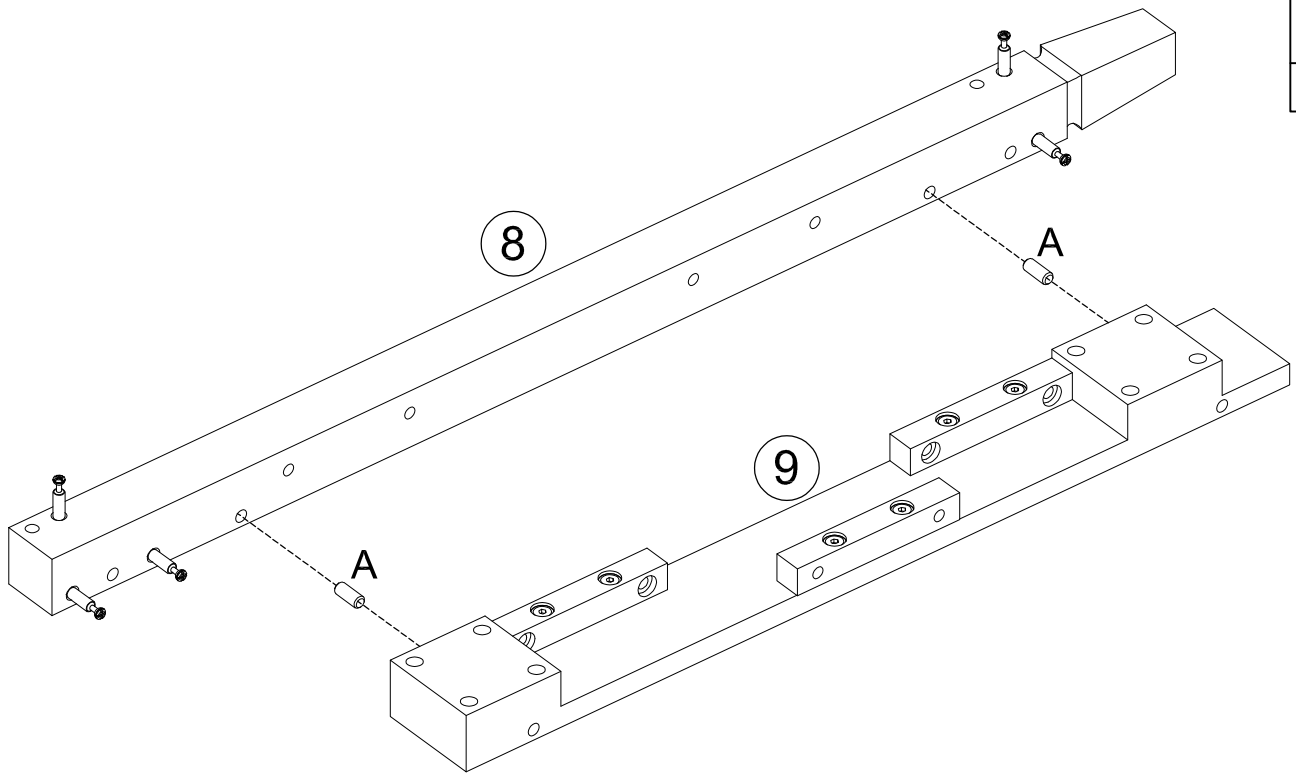


STEP: 21

A

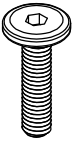


2pcs

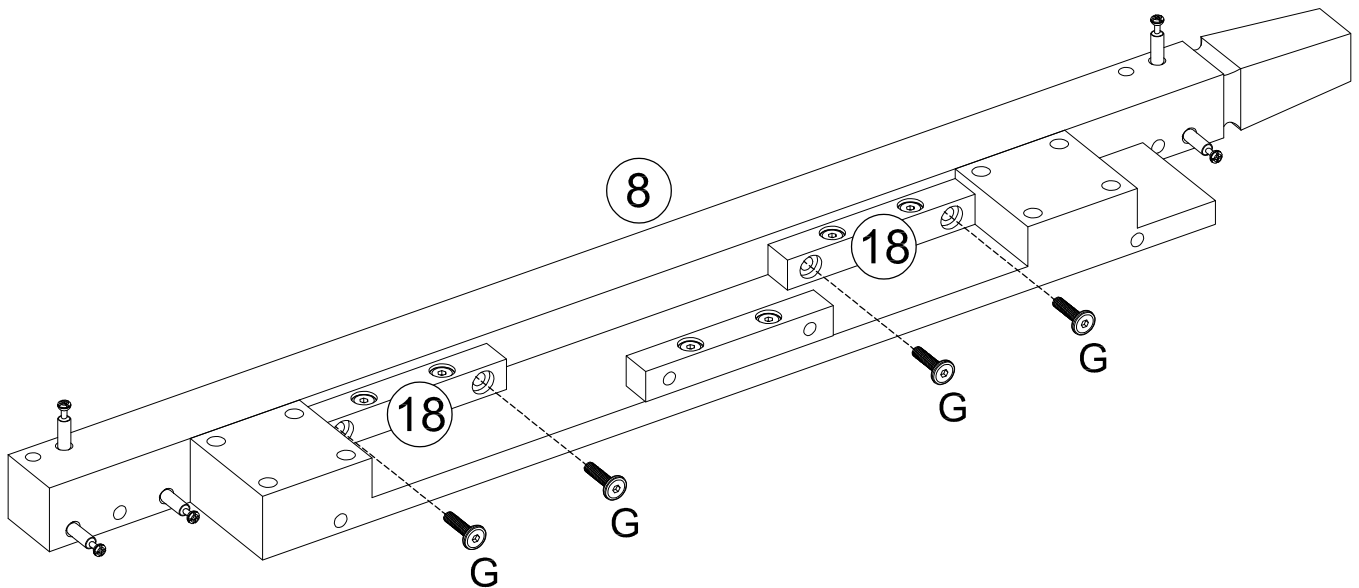


STEP: 22

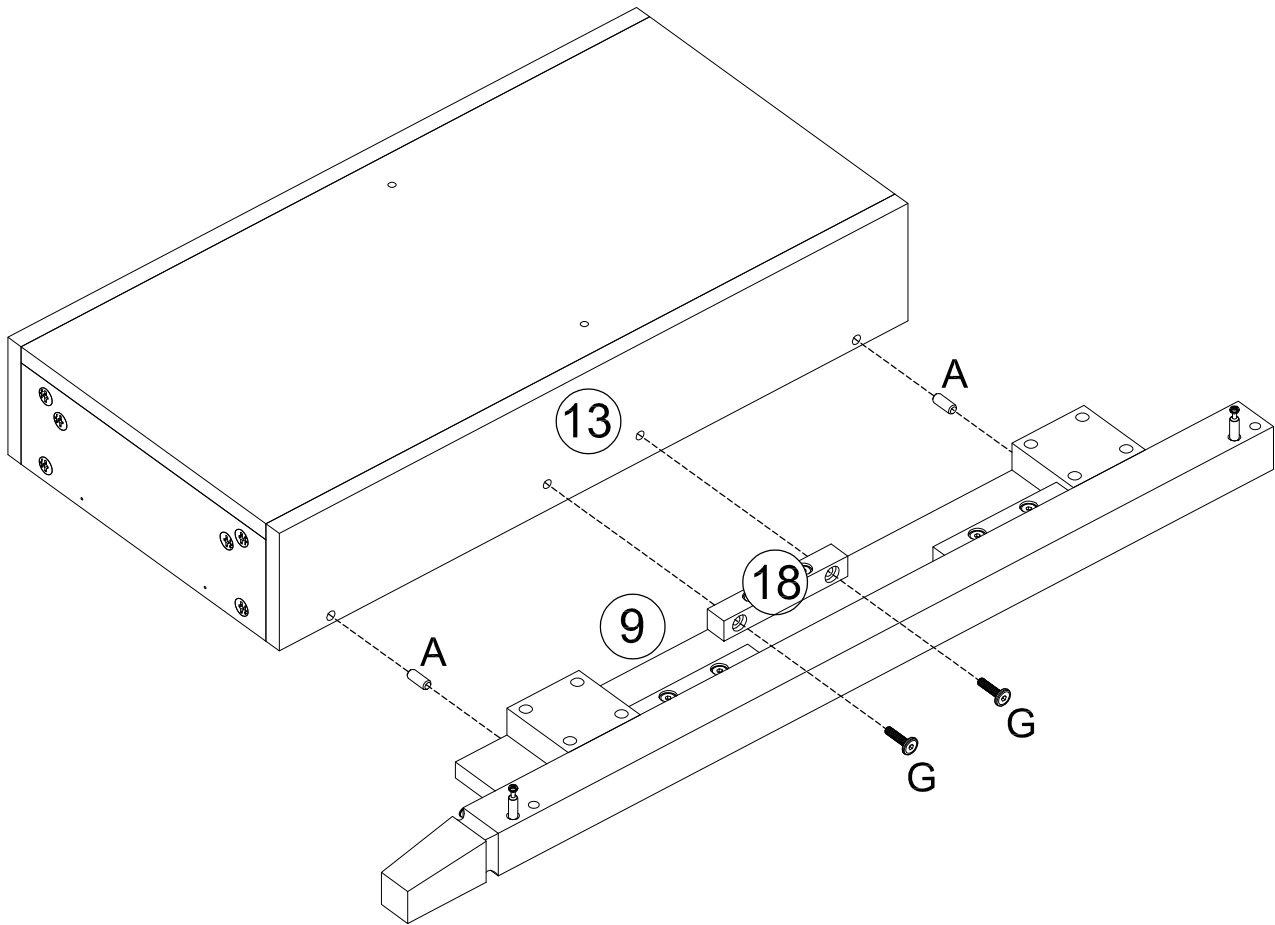
G



4pcs



STEP: 23



A



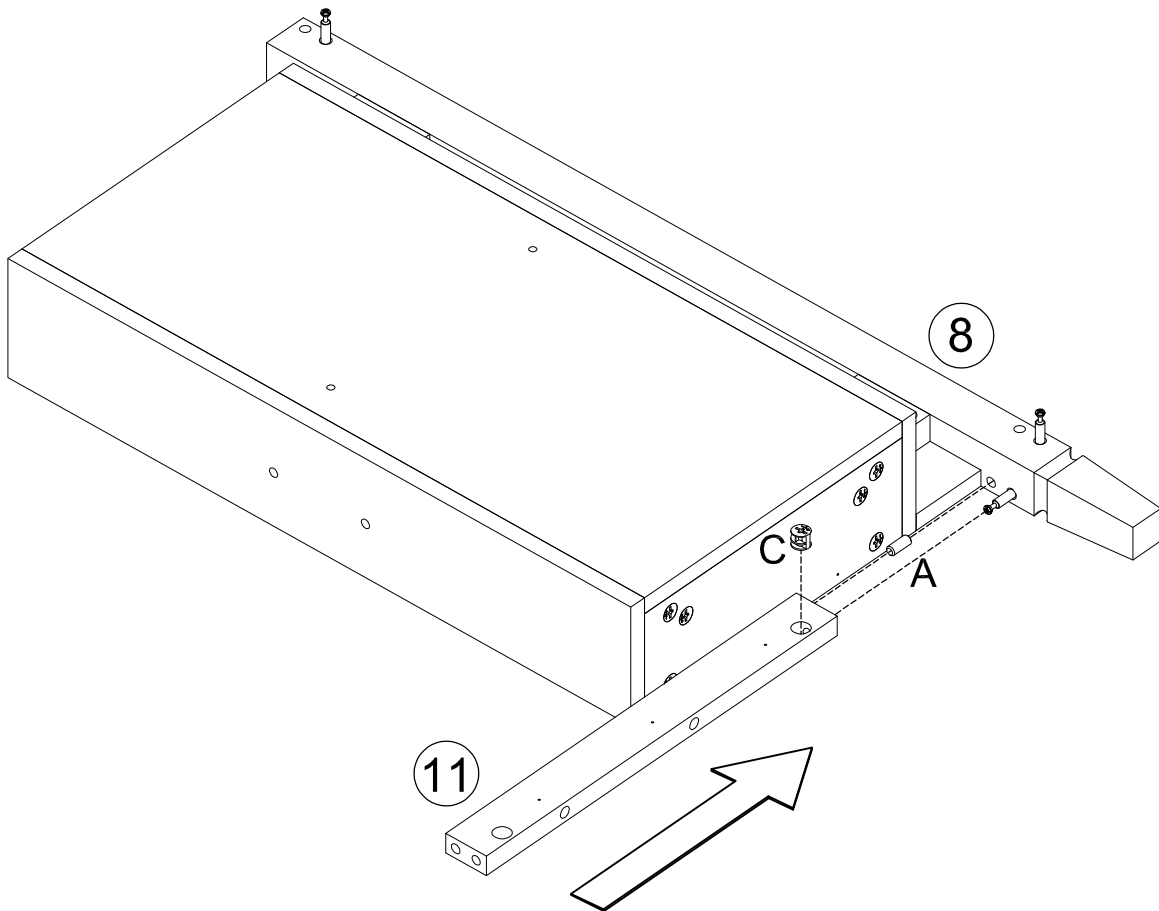
2pcs

G



2pcs

STEP: 24



A



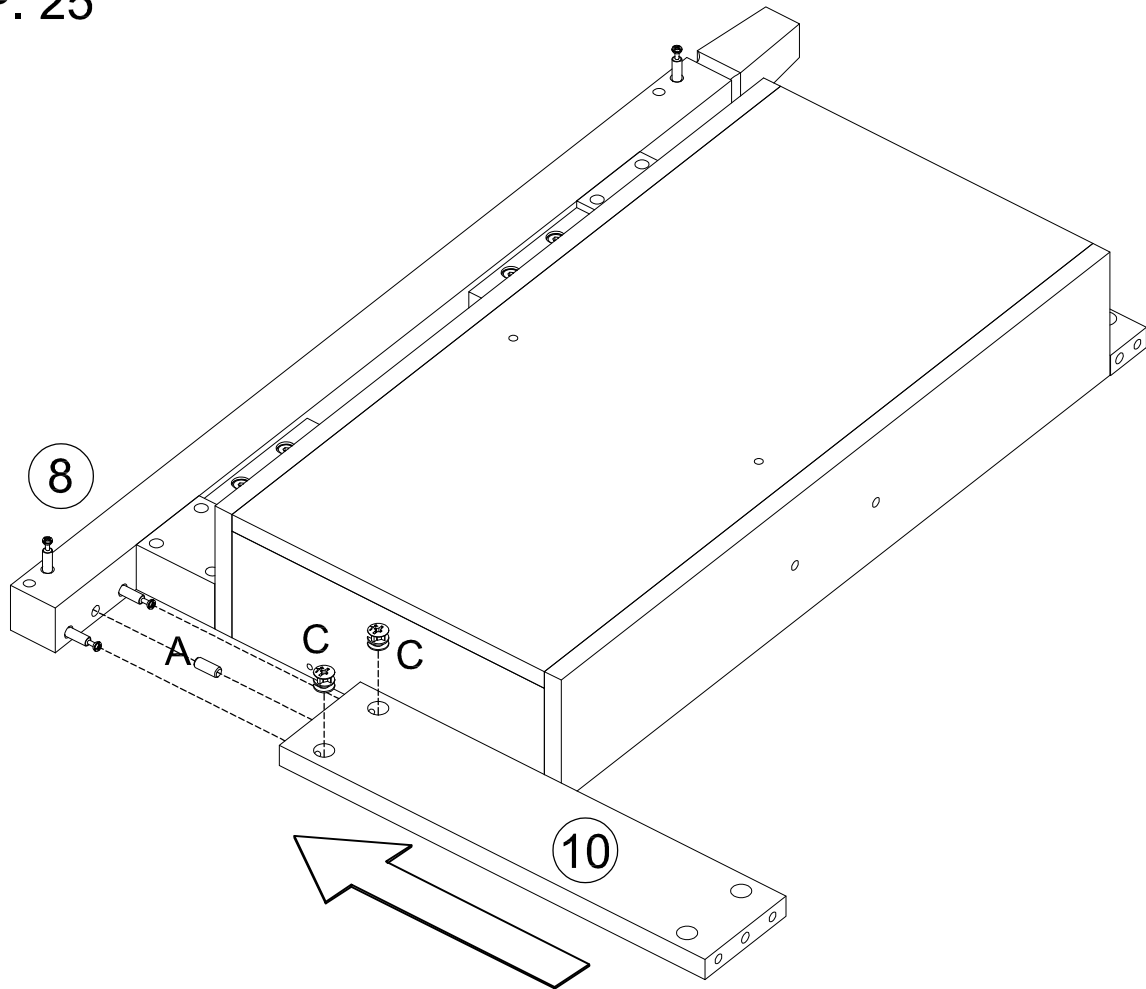
1pc

C



1pc

STEP: 25



A



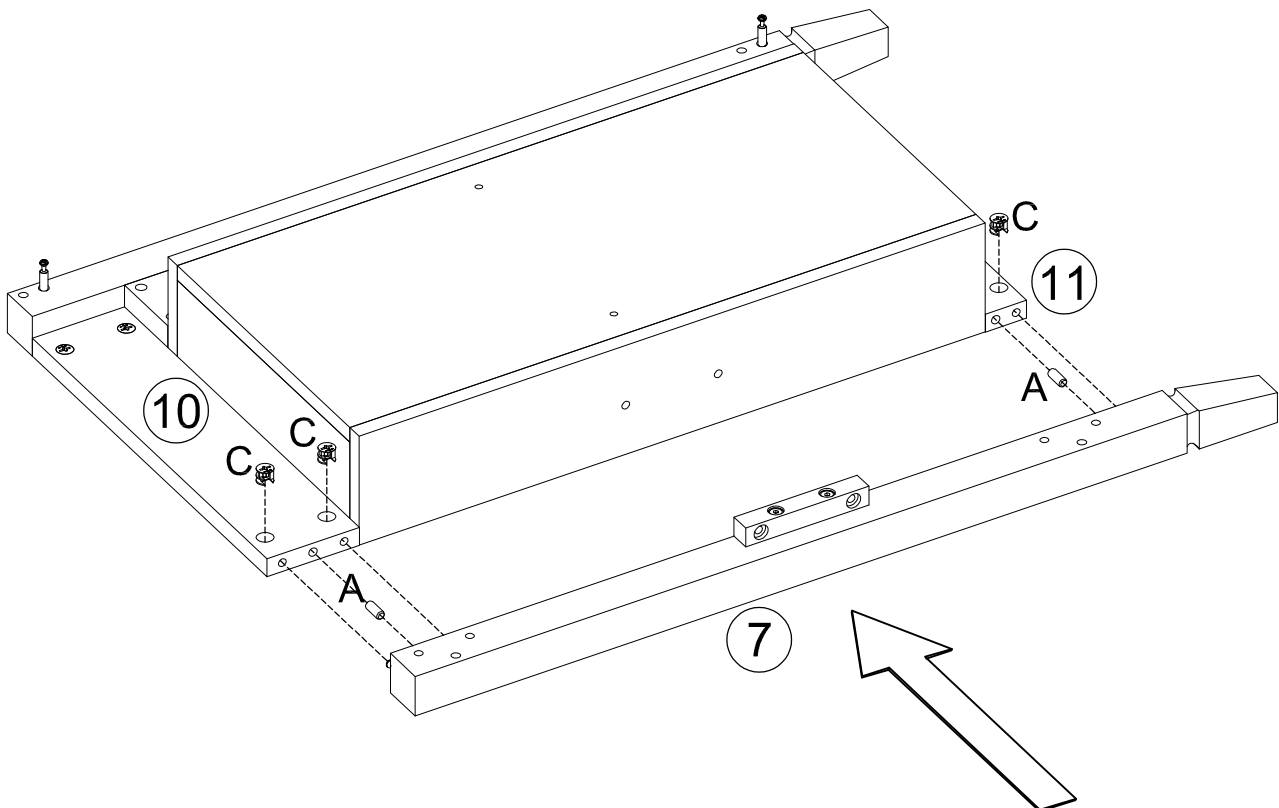
1pc

C



2pcs

STEP: 26



A



2pcs

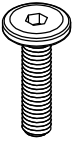
C



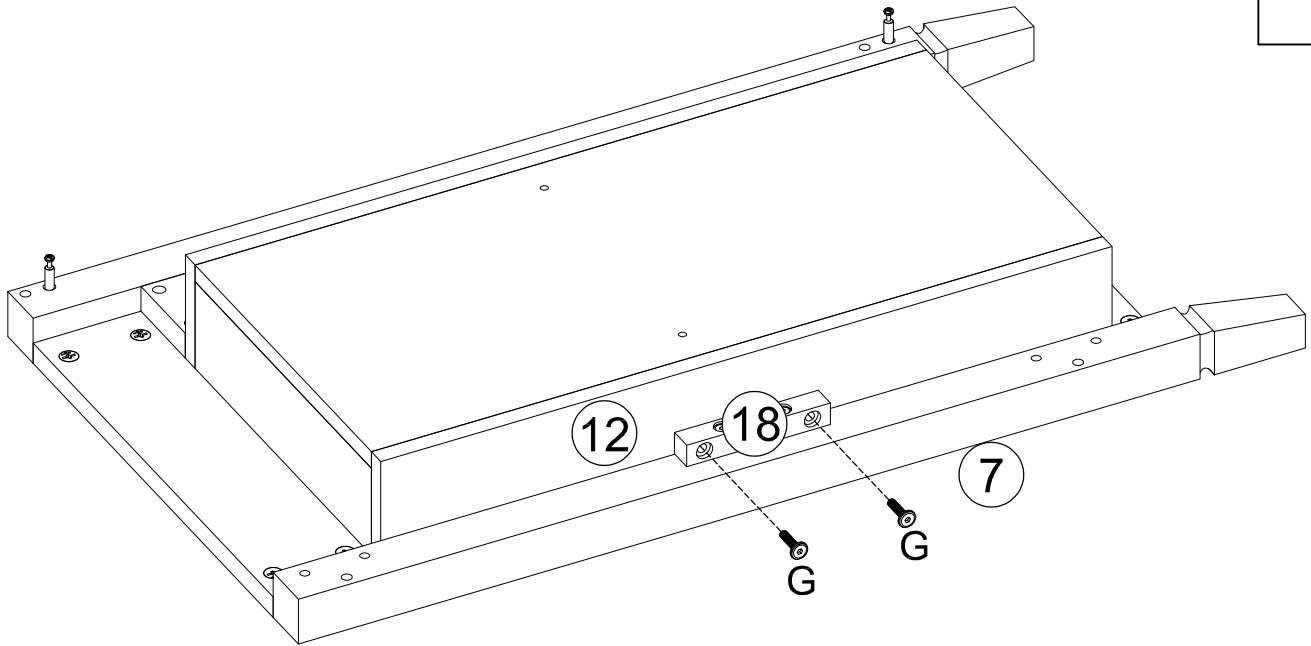
3pcs

STEP: 27

G



2pcs

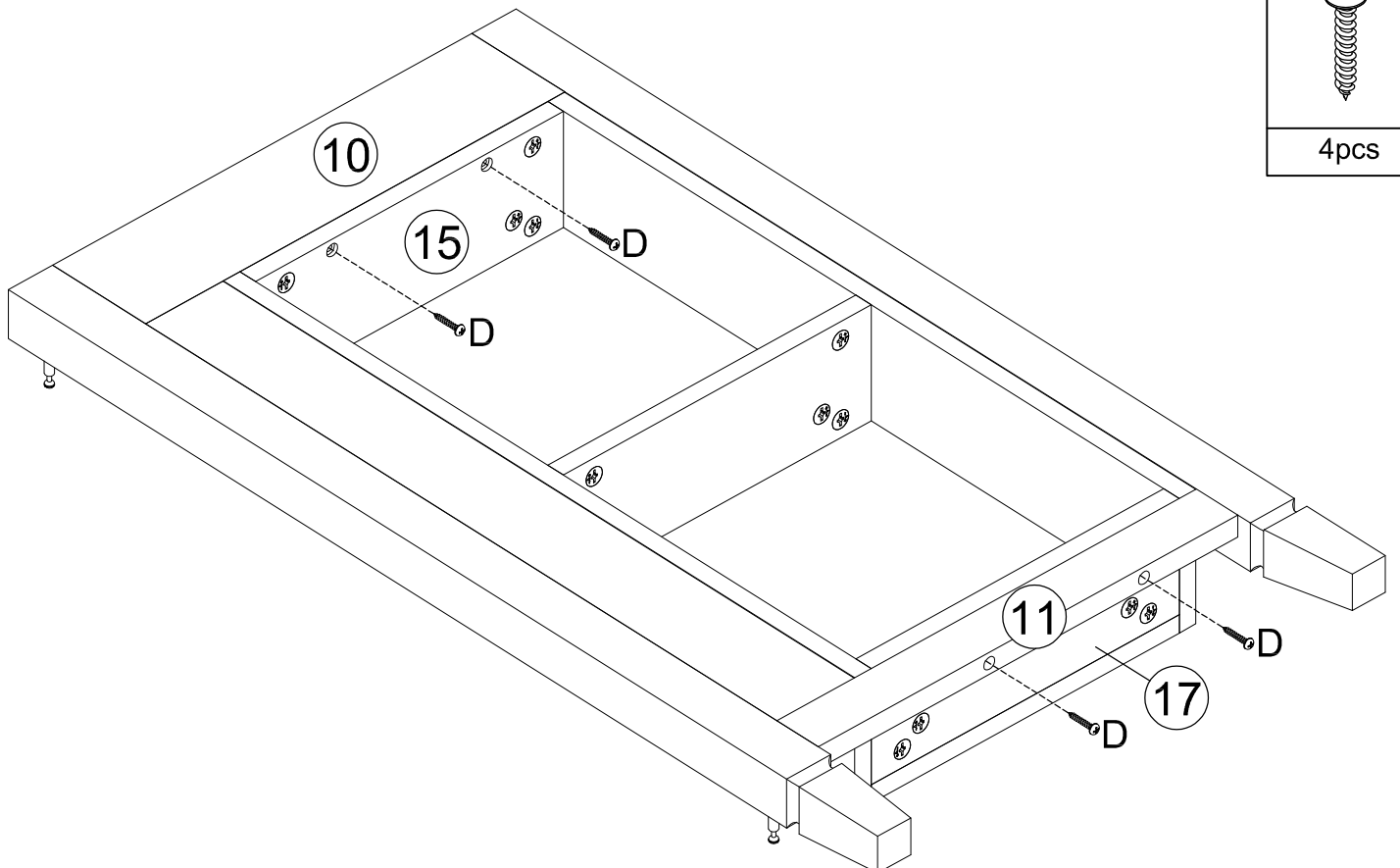


STEP: 28

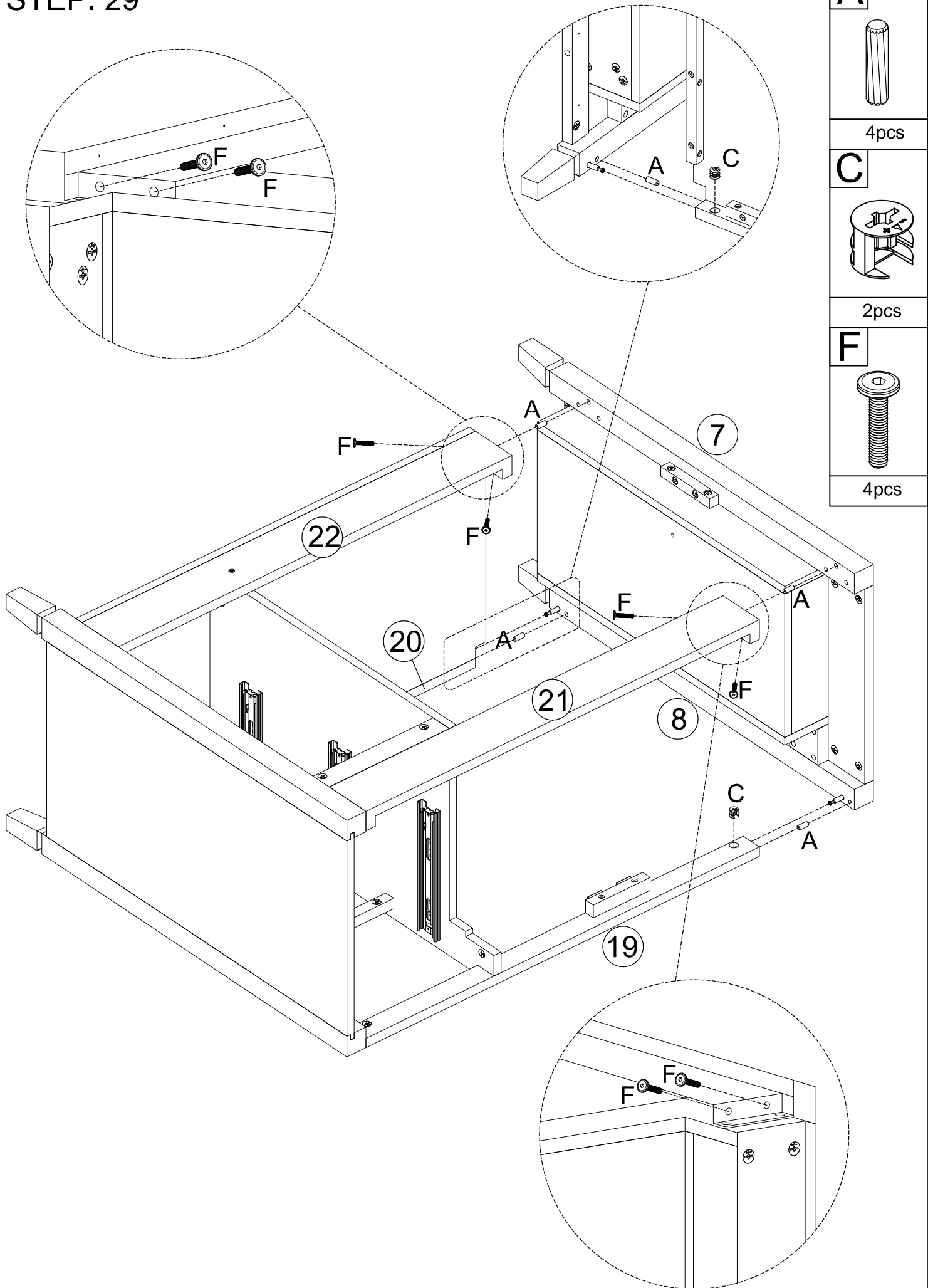
D



4pcs



STEP: 29

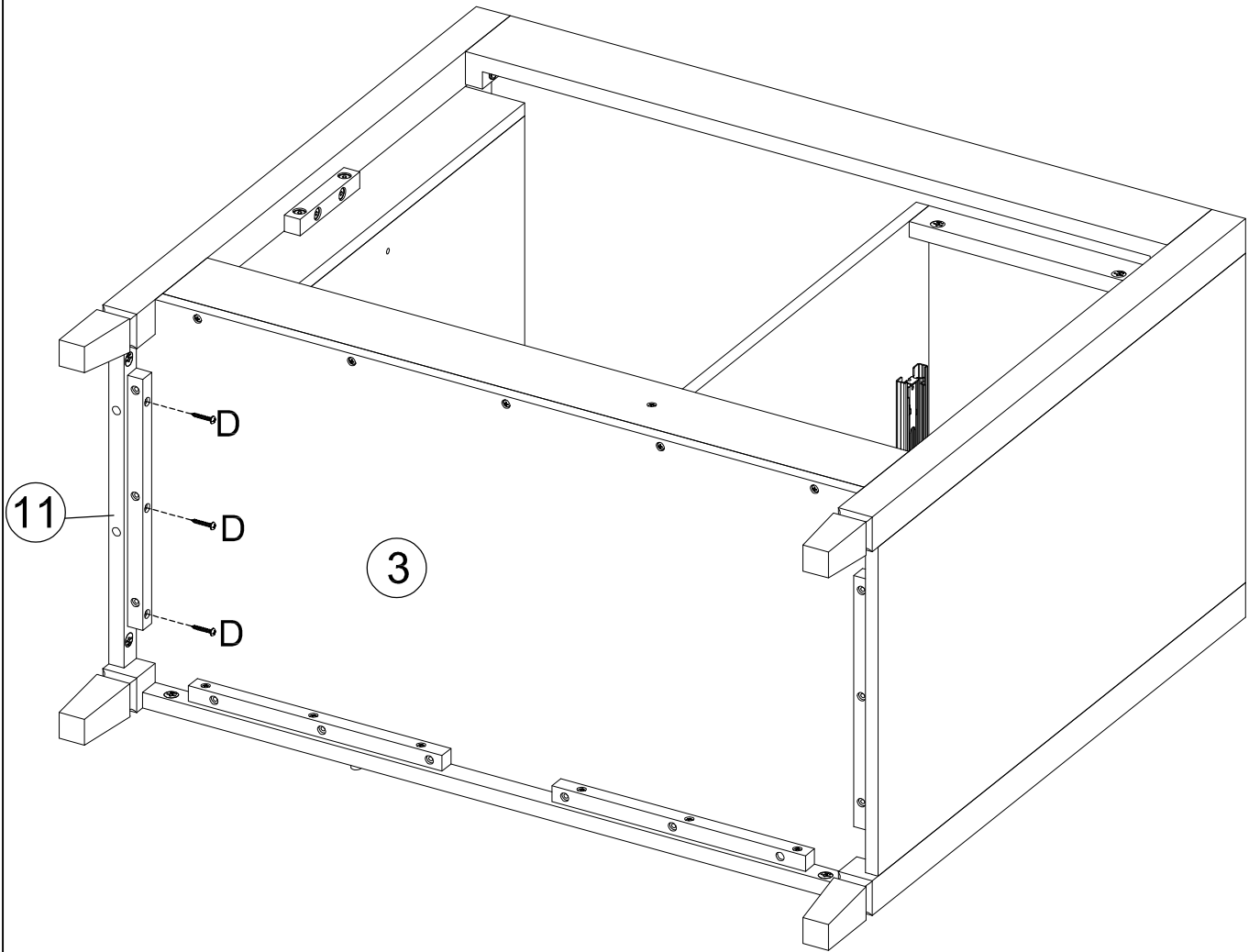


STEP: 30

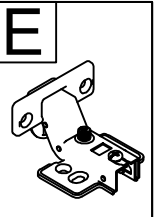
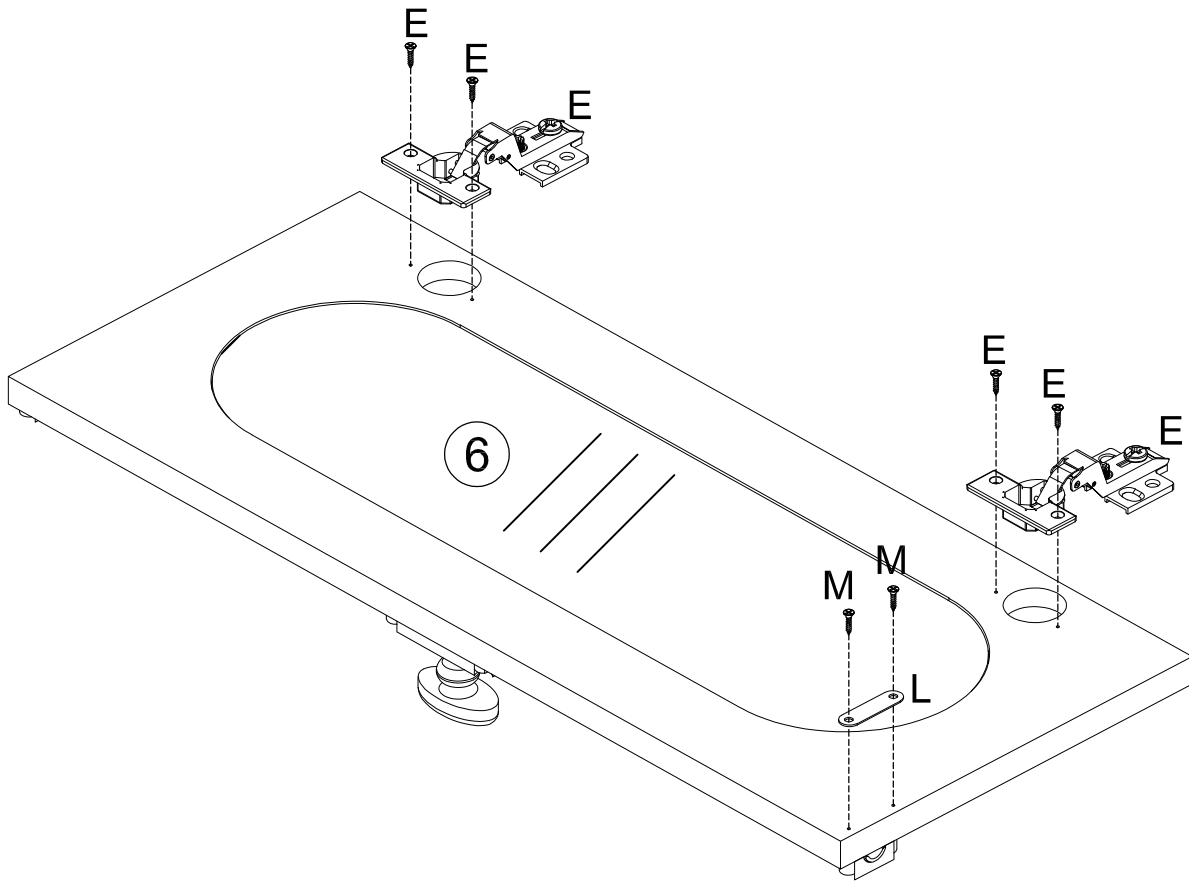
D



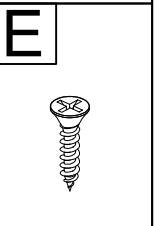
3pcs



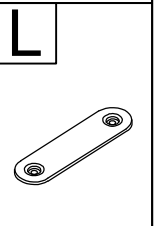
STEP: 31



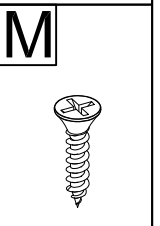
4pcs



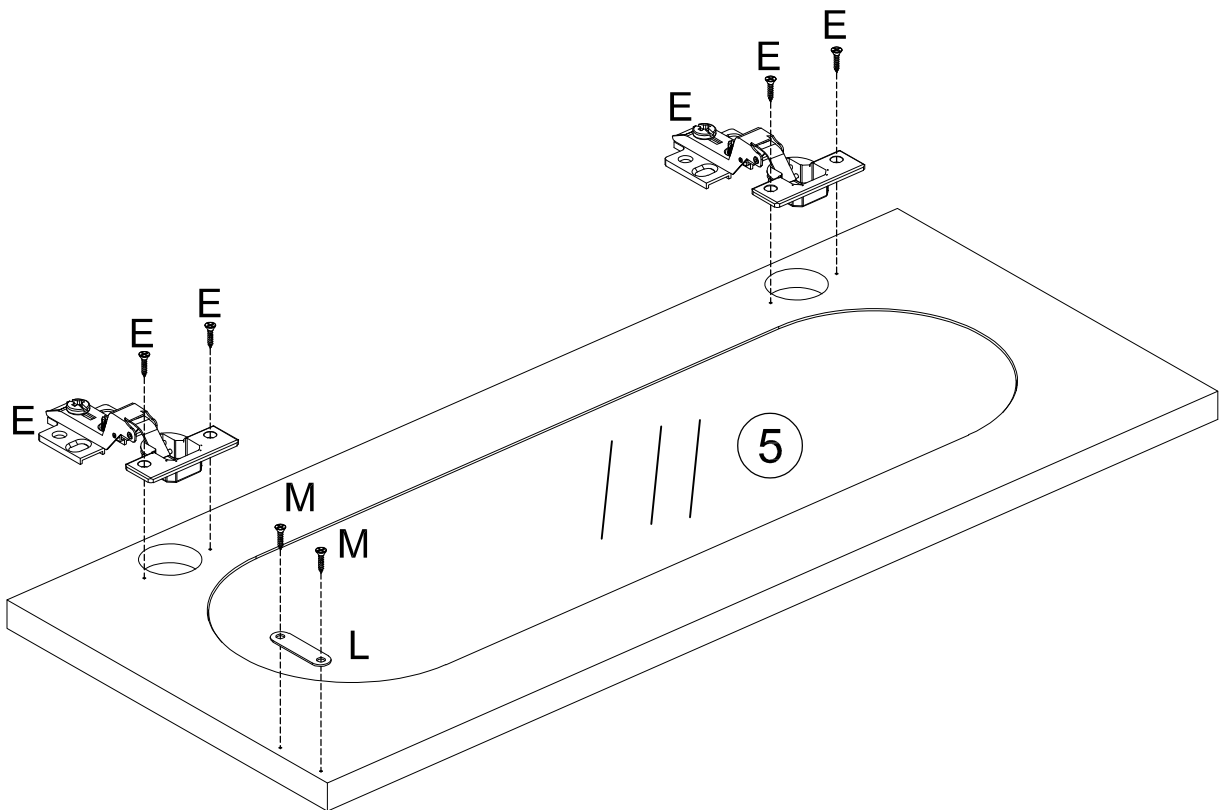
8pcs



2pcs



4pcs

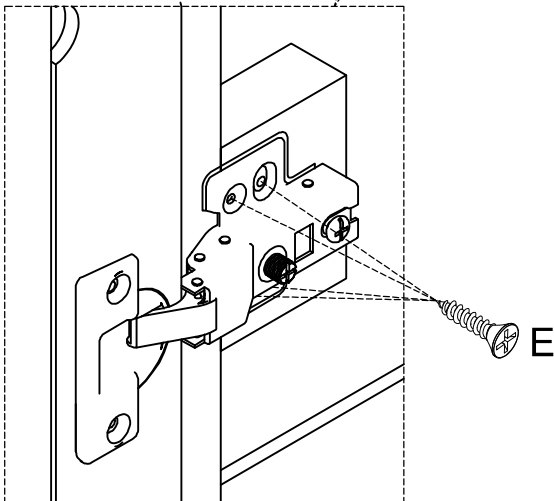
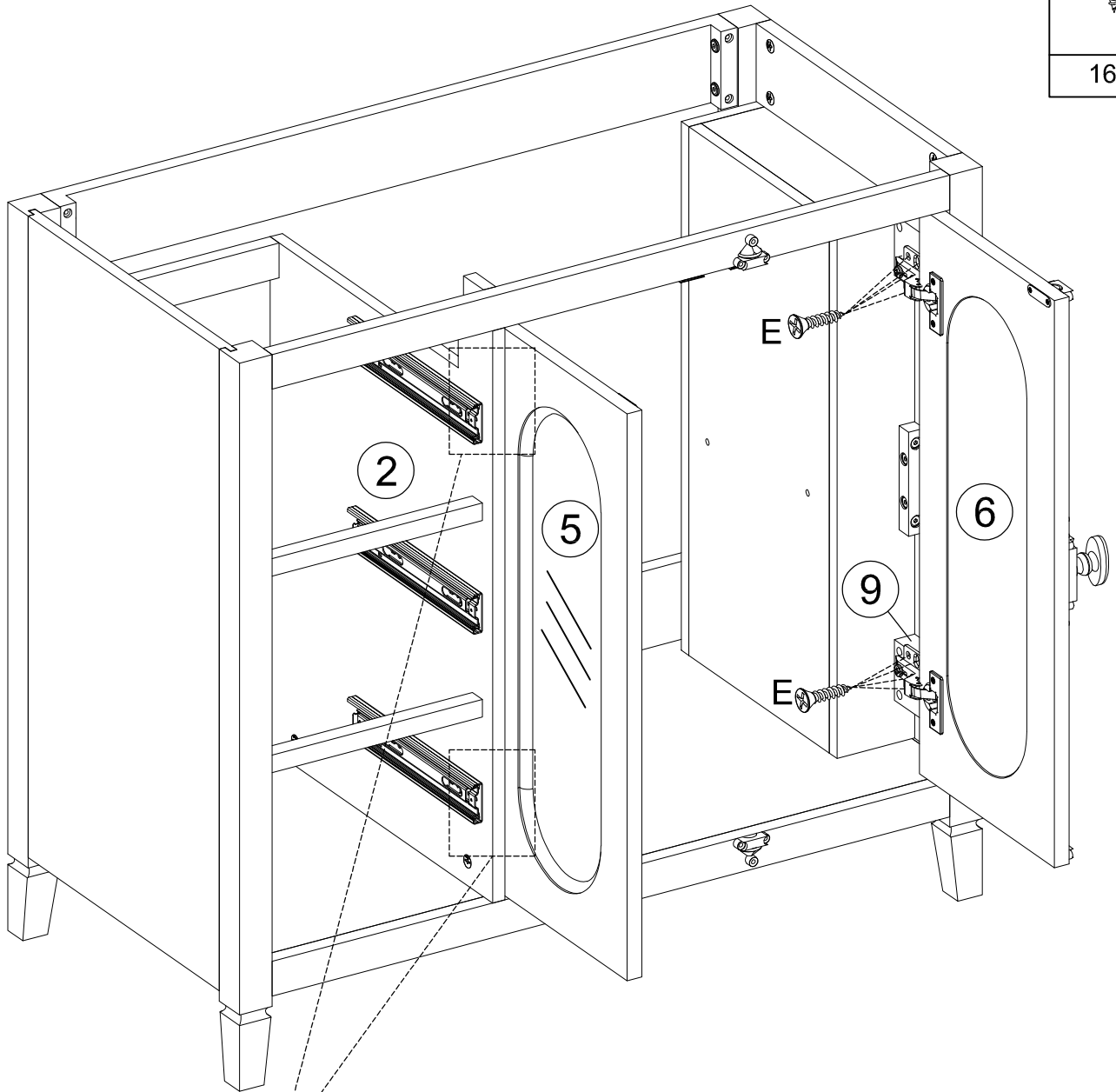


STEP: 32

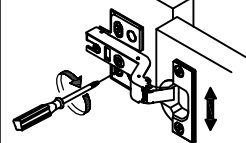
E



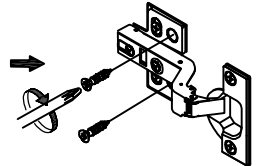
16pcs



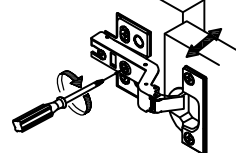
Use the screws to adjust up or down



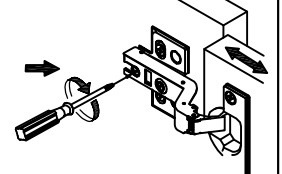
Use the screws to permanent



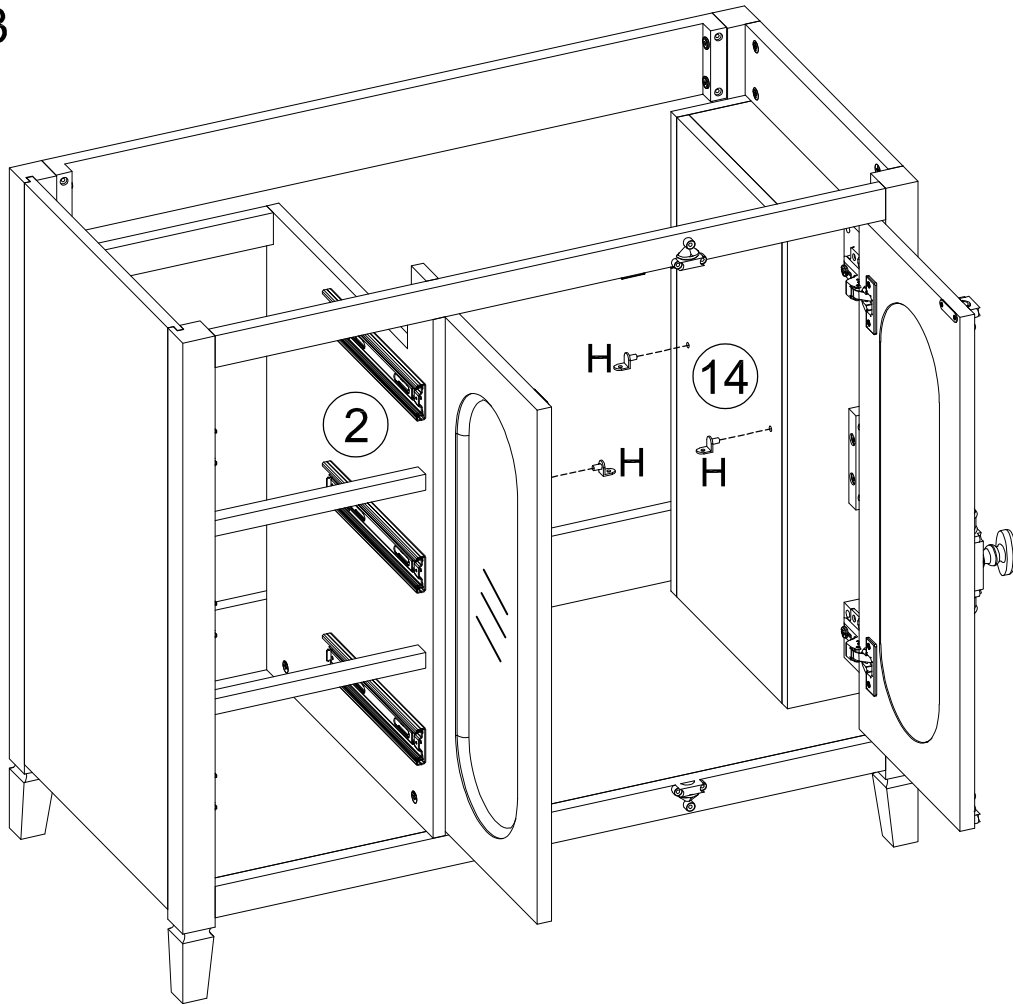
Use the screws to adjust left or right



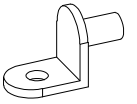
Use the screws to adjust in or out



STEP: 33

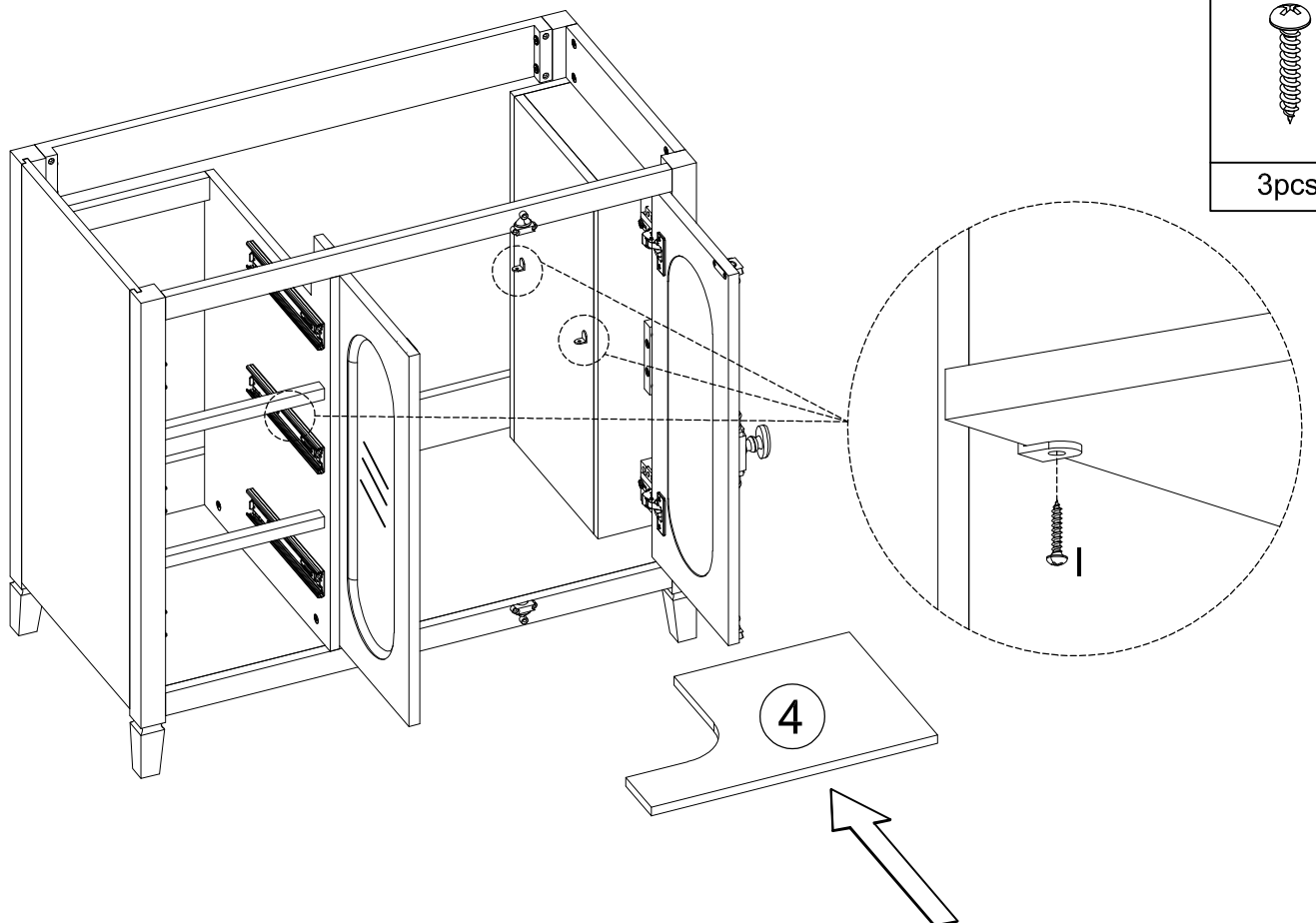


H

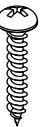


3pcs

STEP: 34

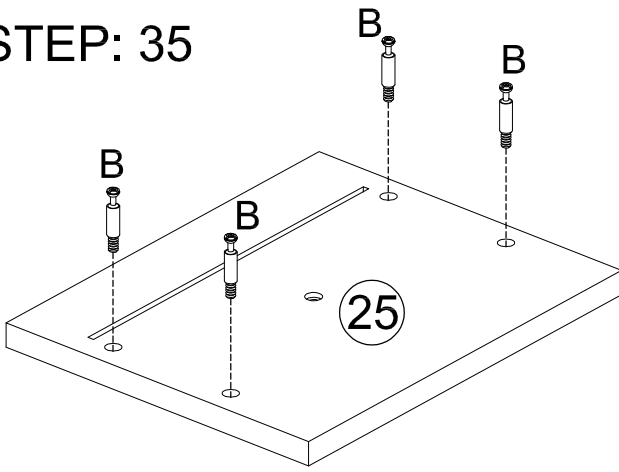




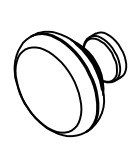
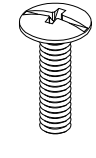


I

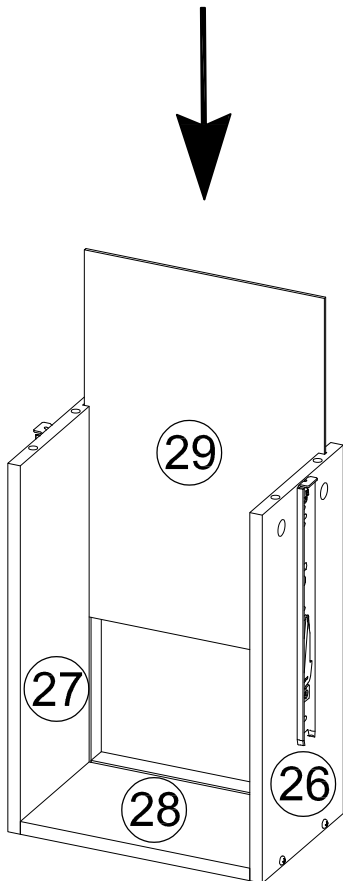
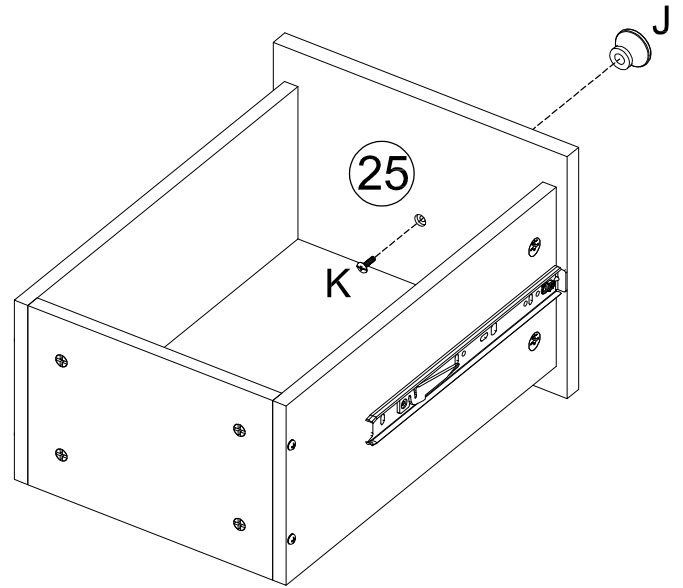
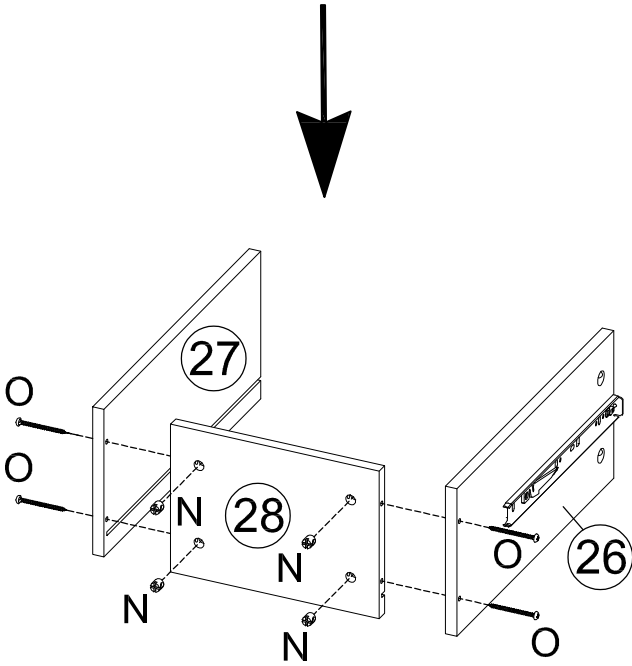


3pcs

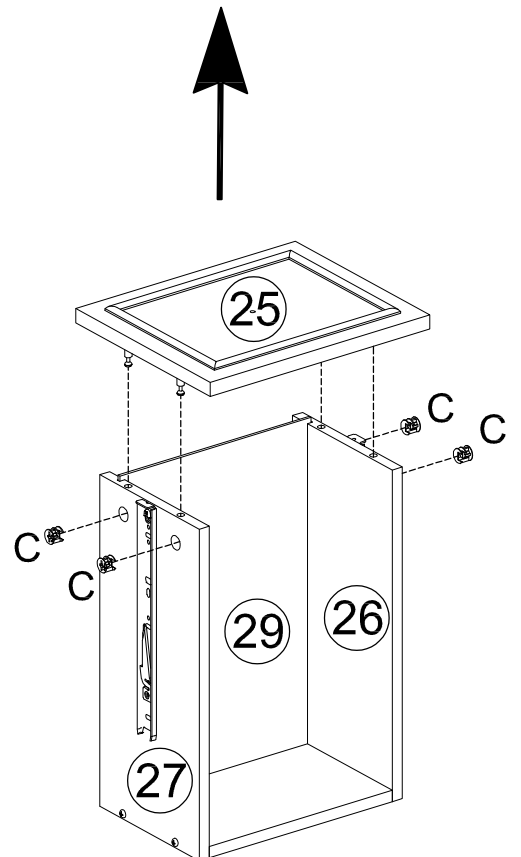
STEP: 35



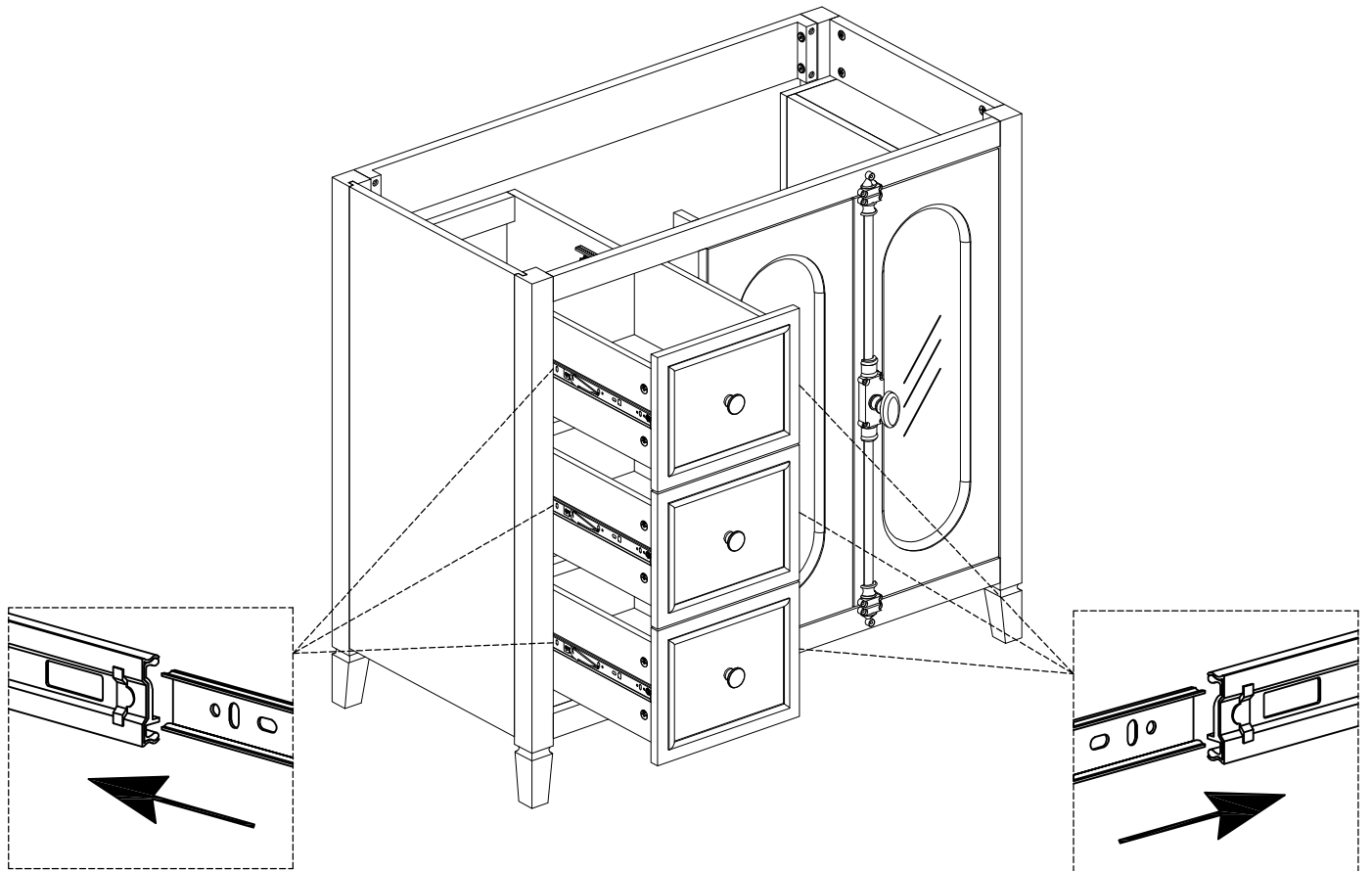
B  12pcs	C  12pcs	J  3pcs
K  3pcs	N  12pcs	O  12pcs



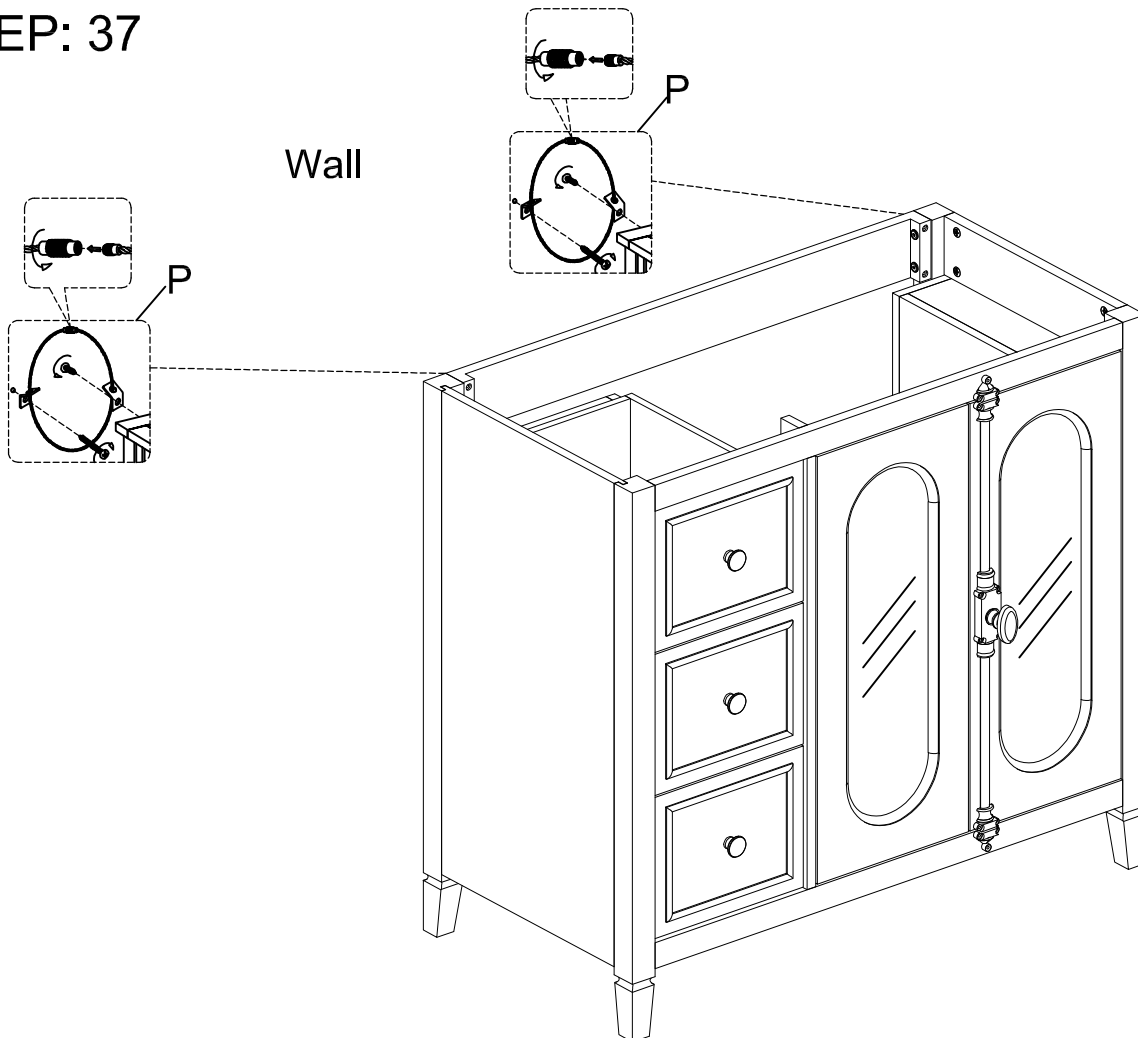
X3



STEP: 36



STEP: 37

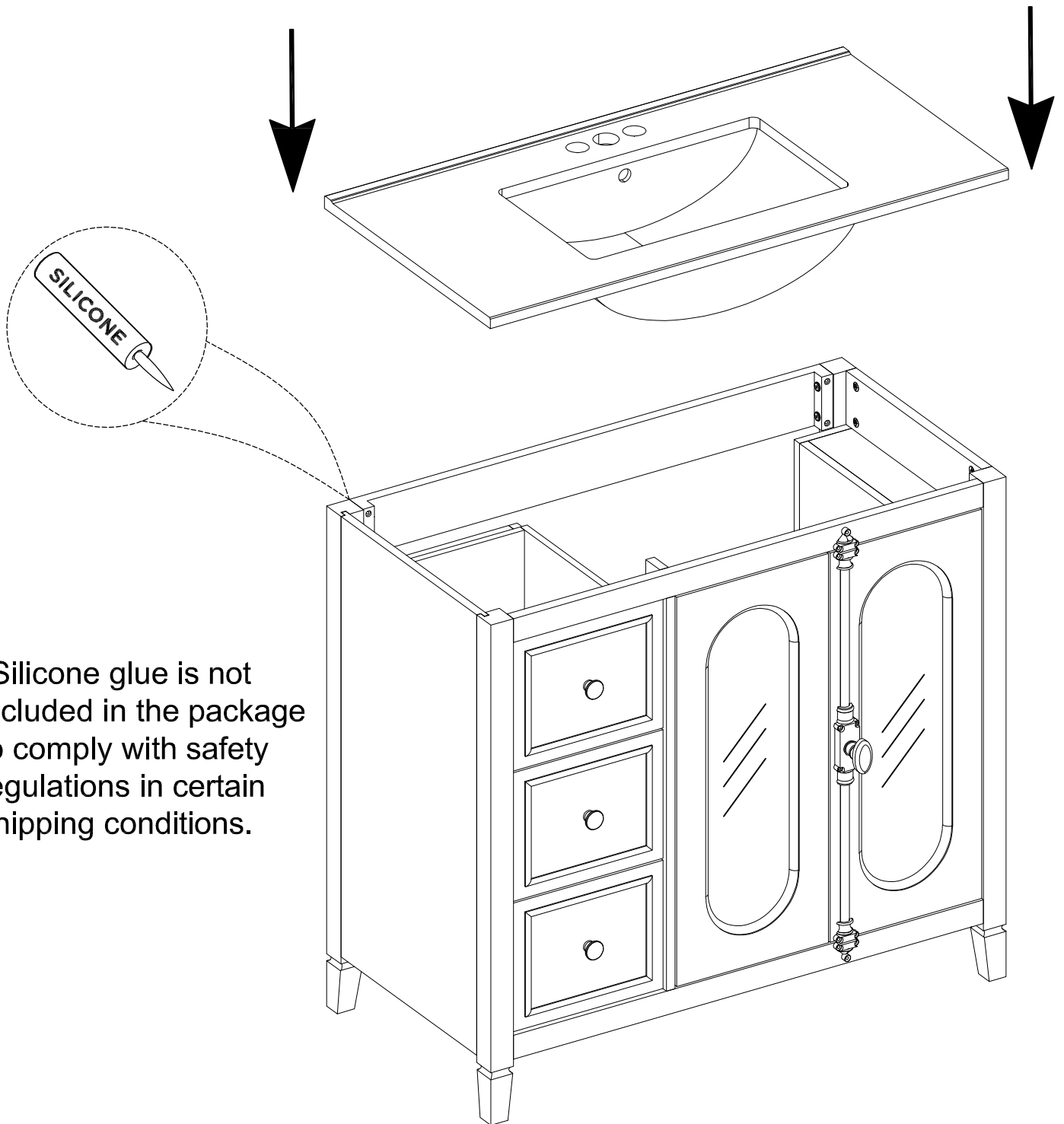


P

2SETS

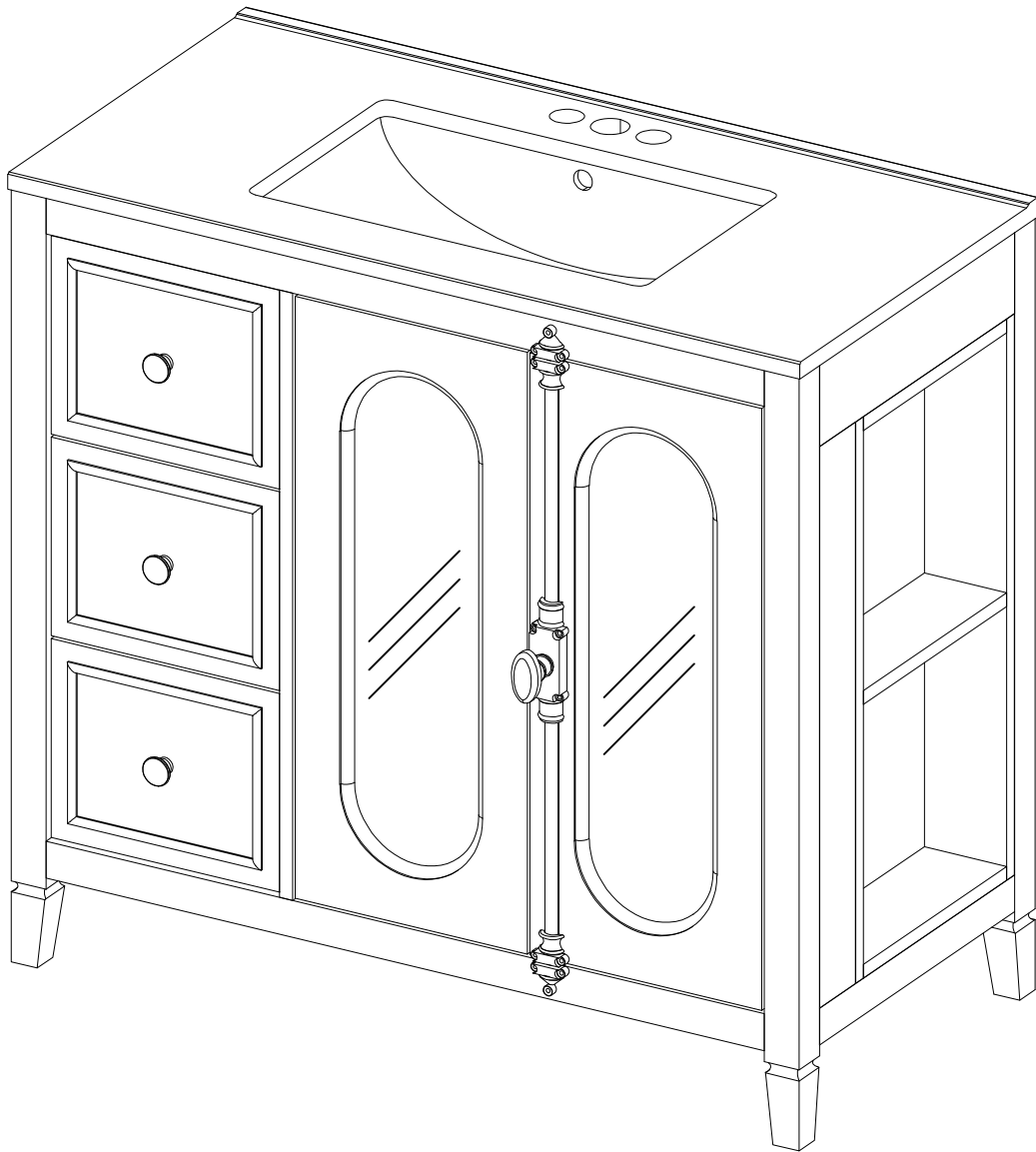
STEP: 38

Install the sink on the cabinet with glue.
Let stand for 24 hours

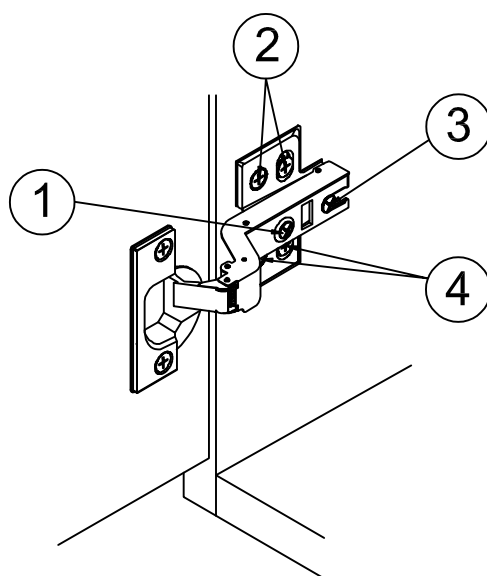


*Silicone glue is not included in the package to comply with safety regulations in certain shipping conditions.

STEP: 39

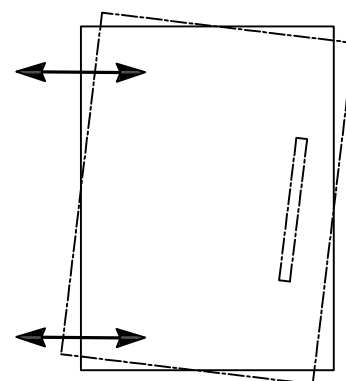


HINGE ADJUSTMENTS



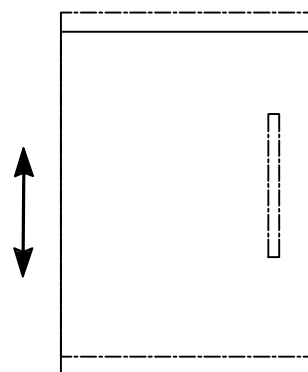
① Sideways / Tilt adjustment

Turn the screw
clockwise to move the door further away from
the side of the cabinet
anticlockwise to move the door closer to the
side of the cabinet



② ④ Height adjustment

While supporting the weight of the door, turn the
screws
clockwise to move the door up
anticlockwise to move the door down



③ Forward and back adjustment

If the gap between the back of the door and the
cabinet is too small, and the door may not close
fully. Turn the screw
clockwise to decrease the gap between the
door and the cabinet
anticlockwise to increase the gap between the
door and the cabinet

