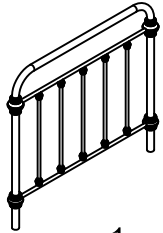


ASSEMBLY INSTRUCTION

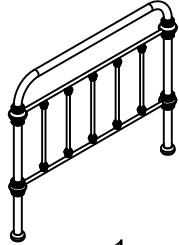
TWIN SIZE METERAL BED

A Headboard



1pc

B Footboard



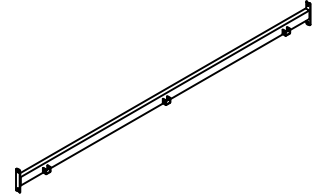
1pc

C Extension Leg



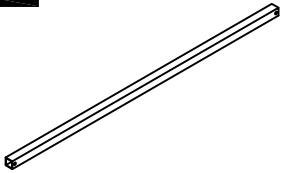
2pcs

D Side Rail



2pcs

E Slats



3pcs

F Bolt
1/4", 57mm



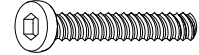
4pcs

G Bolt
1/4", 45mm



6pcs

H Bolt
1/4", 22mm



4pcs

I Nut



10pcs

J Flat Washer \varnothing 16mm



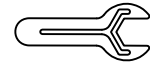
20pcs

K Allen Wrench 4X4mm

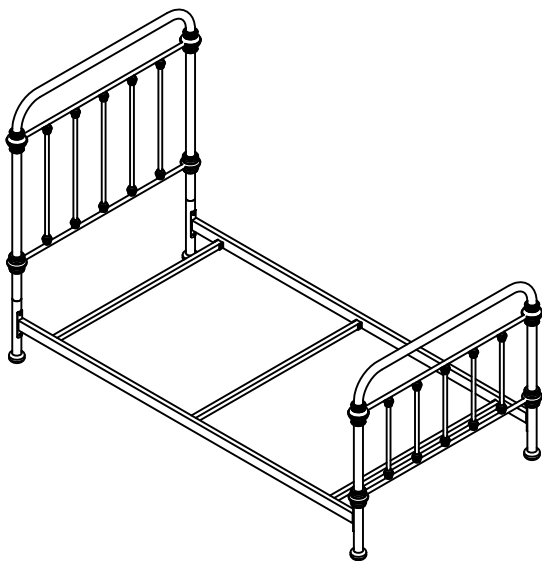


1pc

L Wrench 11.3mm



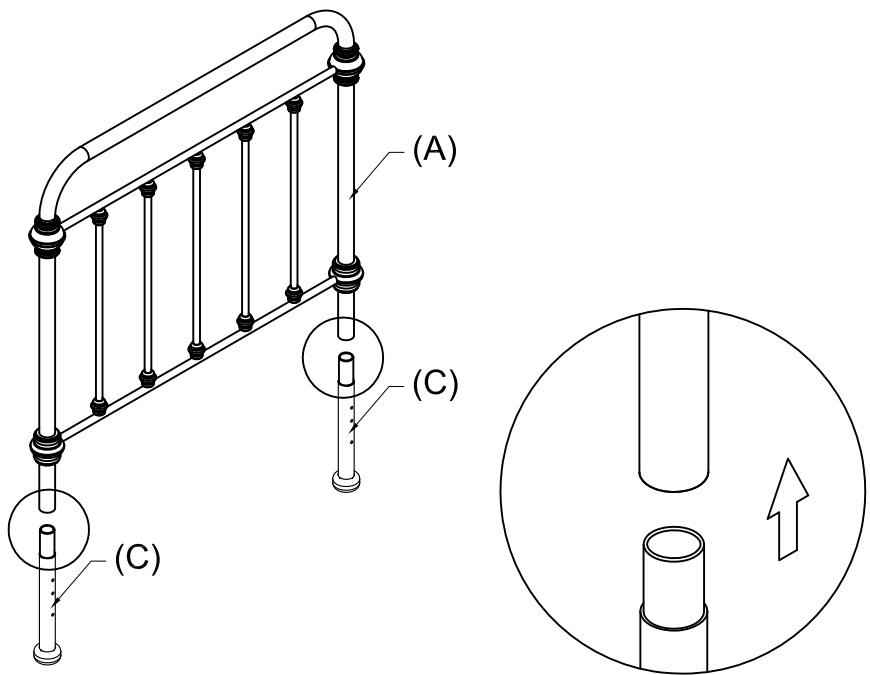
1pc



This page lists all the contents included in the box. Please take the time to identify the hardware as well as the individual components to this product. As you unpack and prepare for assembly, place the contents on a carpeted or padded area to protect them from damage.

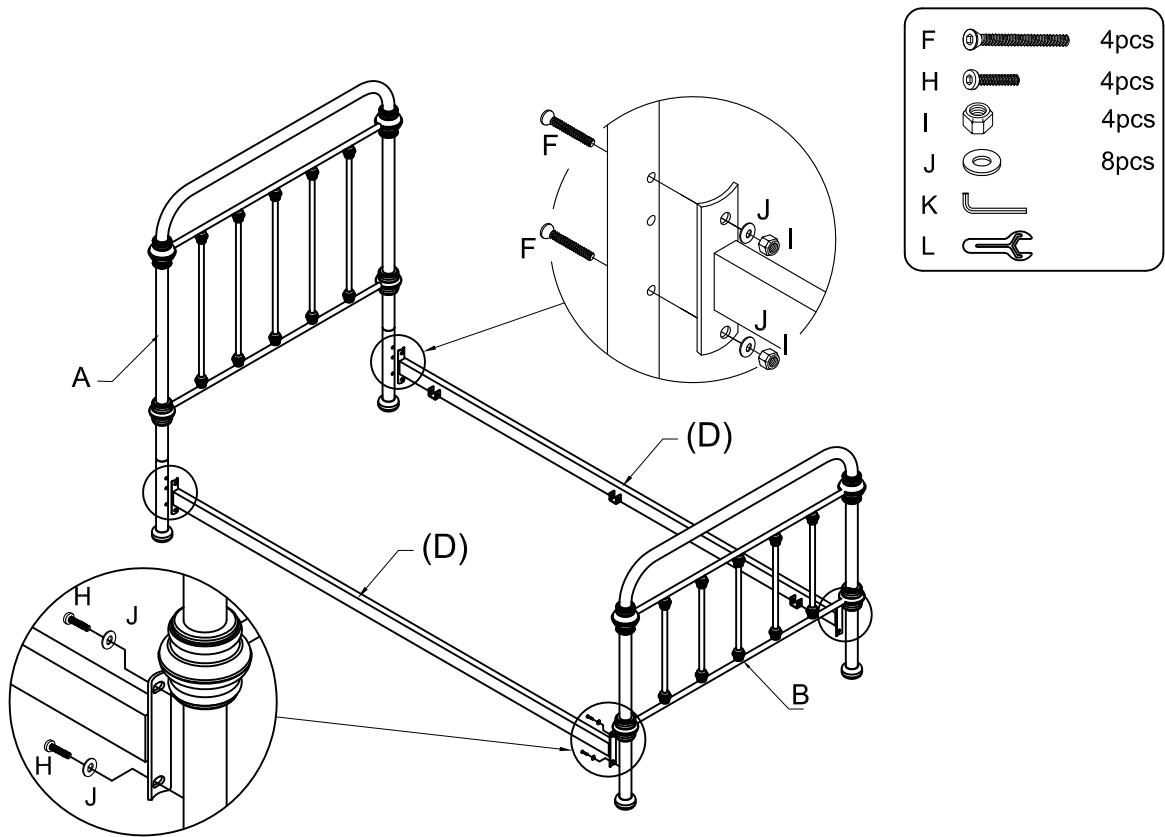
1

Assemble the headboard(A) to the extension leg(C).



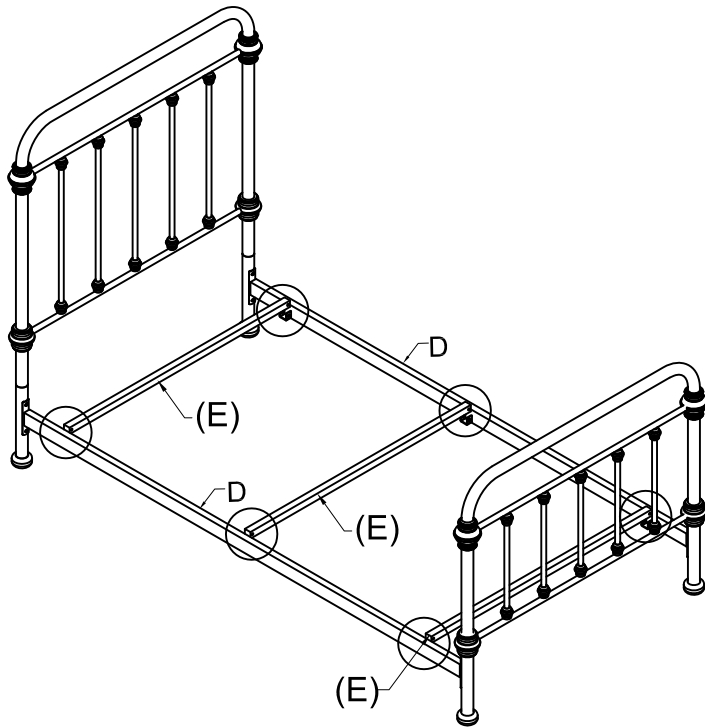
2




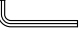

Assemble the side rail(D) to the headboard(A)&footboard(B) with 2pcs bolt(F),nut(I),flat washer(J) for each end of headboard(A) and 2pcs bolt(H),flat washer(J) for each end of footboard(B), then fastened using allen wrench(K) and wrench(L).

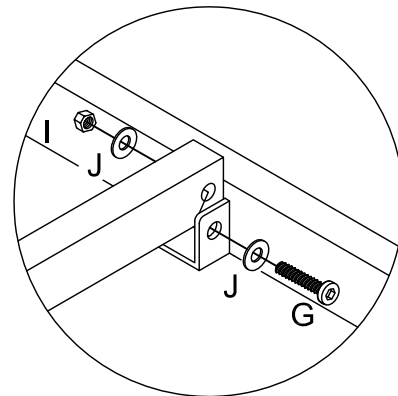


3

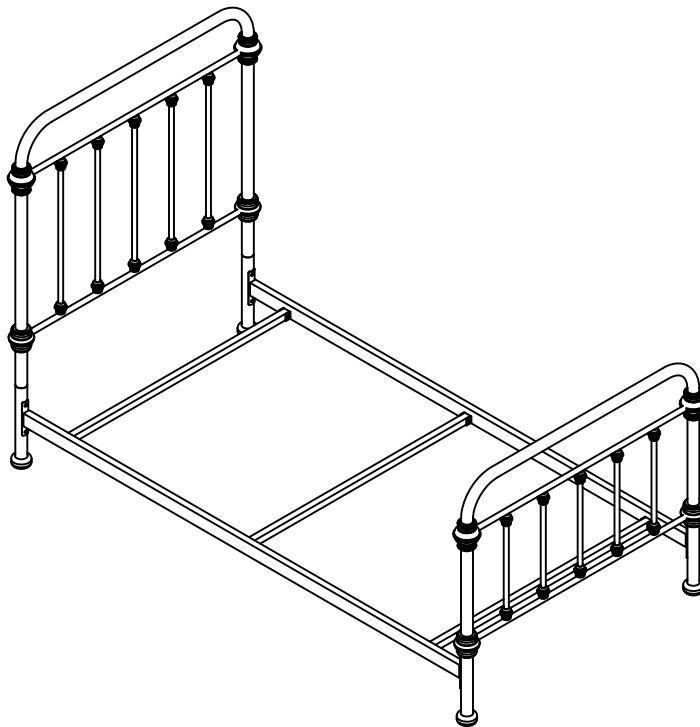
Assemble the slat(E) to the side rail(D) with 1pc bolt(G), nut(I) and 2pcs flat washer(J) for each end of slat(E), then fastened using allen wrench(K) and wrench(L).



G		6pcs
I		6pcs
J		12pcs
K		
L		

**4**

Assmble completed as below drawing.



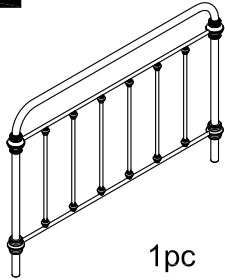
Cleaning&Care

Treat surface with care. Surface is resistant to scratches but is not scratch resistant. Clean surfaces with a dry or damp soft cloth. Do not use abrasive cleaners. Hardware may loosen over time. Periodically check that all connections are tight.

ASSEMBLY INSTRUCTION

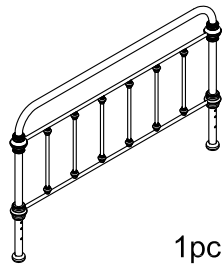
FULL SIZE METERAL BED

A Headboard



1pc

B Footboard



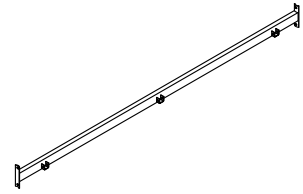
1pc

C Extension Leg



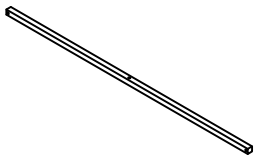
2pcs

D Side Rail



2pcs

E Slats



3pcs

F Support Leg



3pcs

G Bolt
1/4",57mm



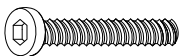
4pcs

H Bolt
1/4",45mm



9pcs

I Bolt
1/4",22mm



4pcs

J Nut



10pcs

K Flat Washer \varnothing 16mm



23pcs

L Allen Wrench 4X4mm

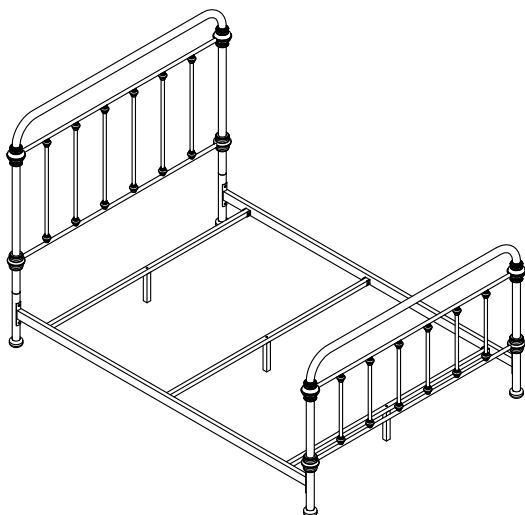


1pc

M Wrench 11.3mm



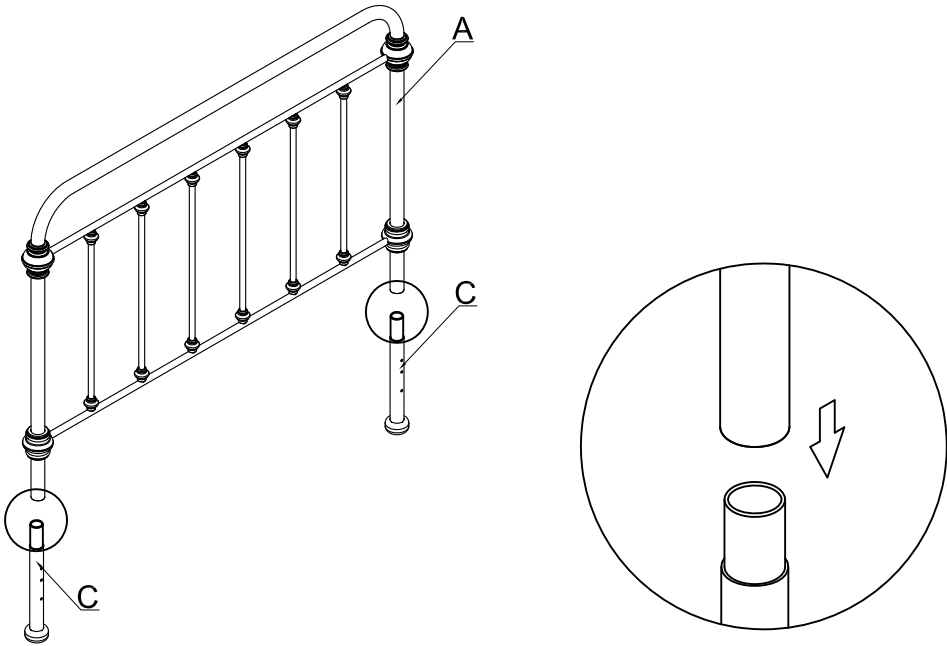
1pc



This page lists all the contents included in the box. Please take the time to identify the hardware as well as the individual components to this product. As you unpack and prepare for assembly, place the contents on a carpeted or padded area to protect them from damage.

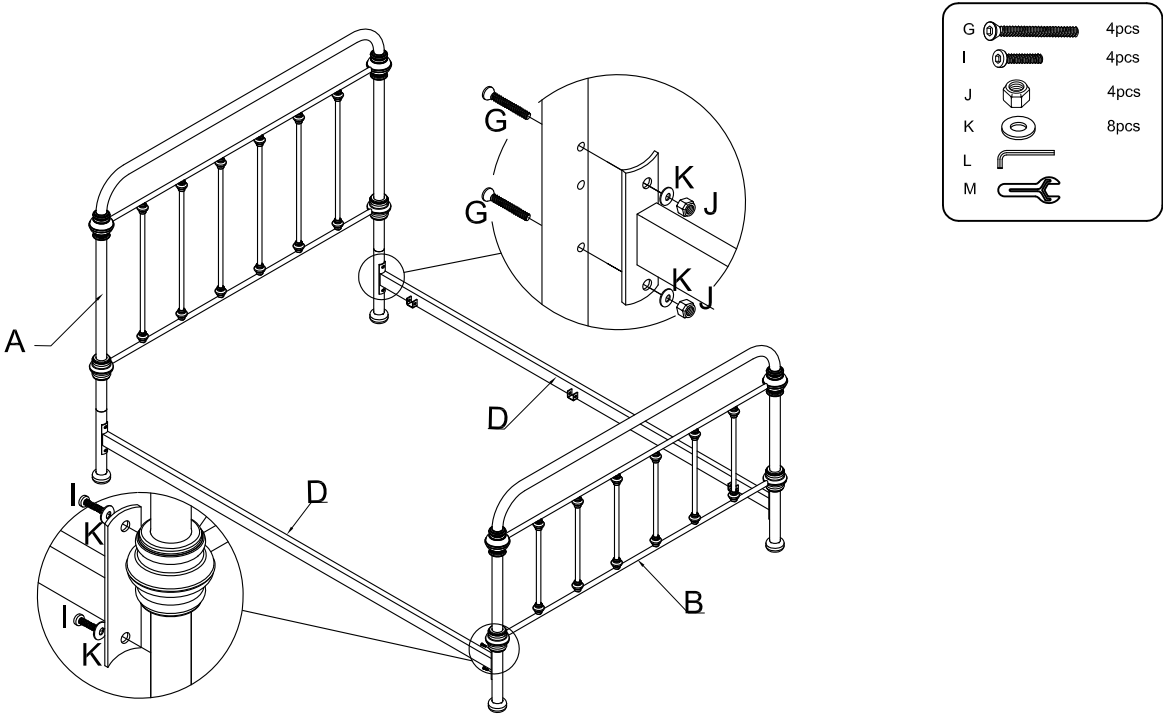
1

Assemble the headboard(A) to the extension leg(C).



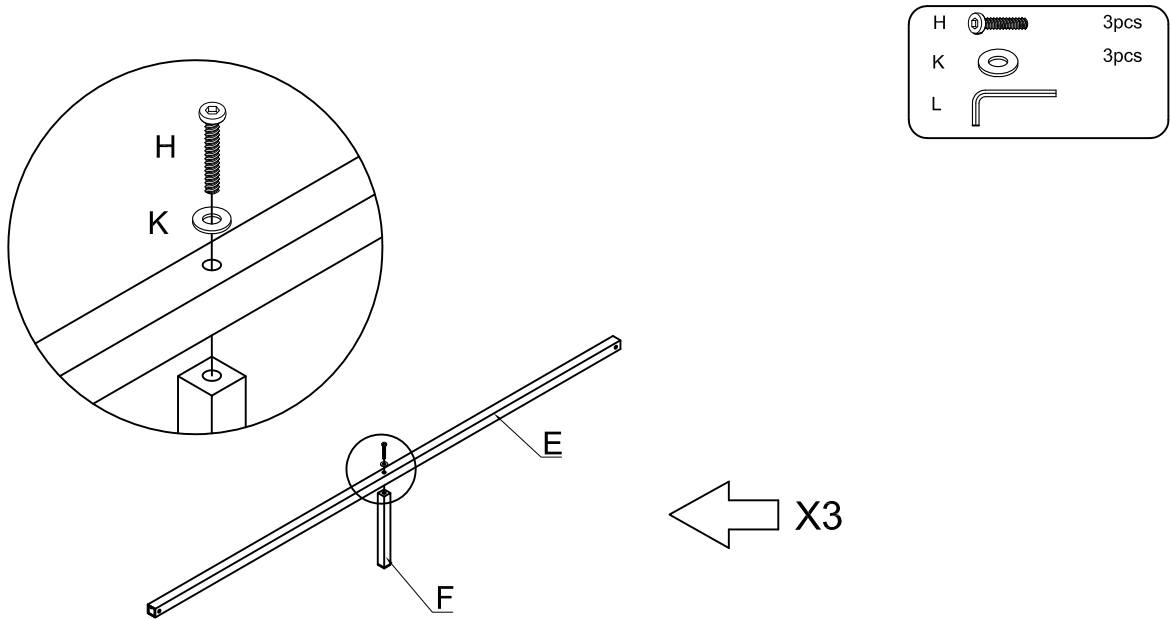
2

Assemble the side rail(D) to the headboard(A)&footboard(B) with 2pcs bolt(G),nut(J),flat washer(K) for each end of headboard(A) and 2pcs bolt(I),flat washer(K) for each end of footboard(B), then fastened using allen wrench(L) and wrench(M).

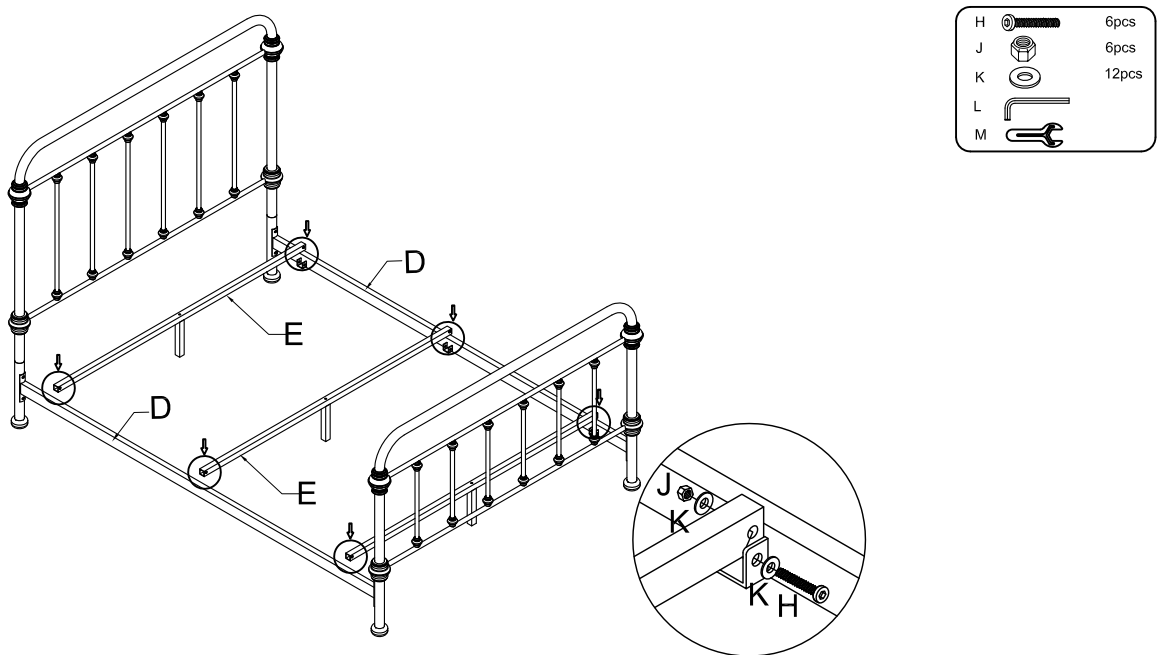


3

Assemble the slat(E) to the support leg(F) with 1pc bolt(H), flat washer(K) for each support leg(F), then fastened using allen wrench(L).

**4**

Assemble the slat(E) to the side rail(D) with 1pc bolt(H), nut(J) and 2pcs flat washer(K) for each end of slat(E), then fastened using allen wrench(L) and wrench(M).



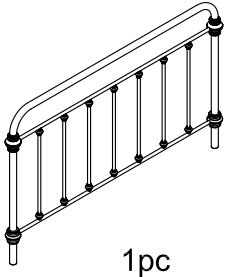
Cleaning & Care

Treat surface with care. Surface is resistant to scratches but is not scratch resistant. Clean surfaces with a dry or damp soft cloth. Do not use abrasive cleaners. Hardware may loosen over time. Periodically check that all connections are tight.

ASSEMBLY INSTRUCTION

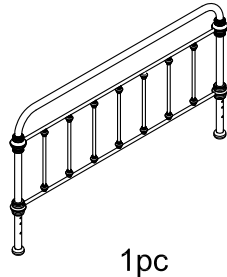
QUEEN SIZE METERAL BED

A Headboard



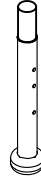
1pc

B Footboard



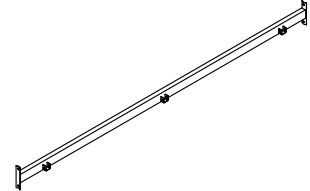
1pc

C Extension Leg



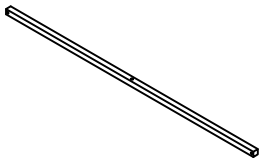
2pcs

D Side Rail



2pcs

E Slats



3pcs

F Support Leg



3pcs

G Bolt
1/4",57mm



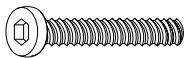
4pcs

H Bolt
1/4",45mm



9pcs

I Bolt
1/4",22mm



4pcs

J Nut



10pcs

K Flat Washer \varnothing 16mm



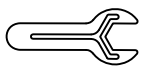
23pcs

L Allen Wrench 4X4mm

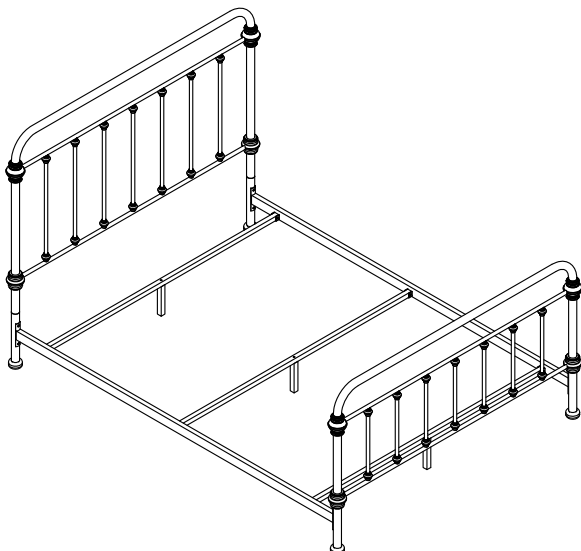


1pc

M Wrench 11.3mm



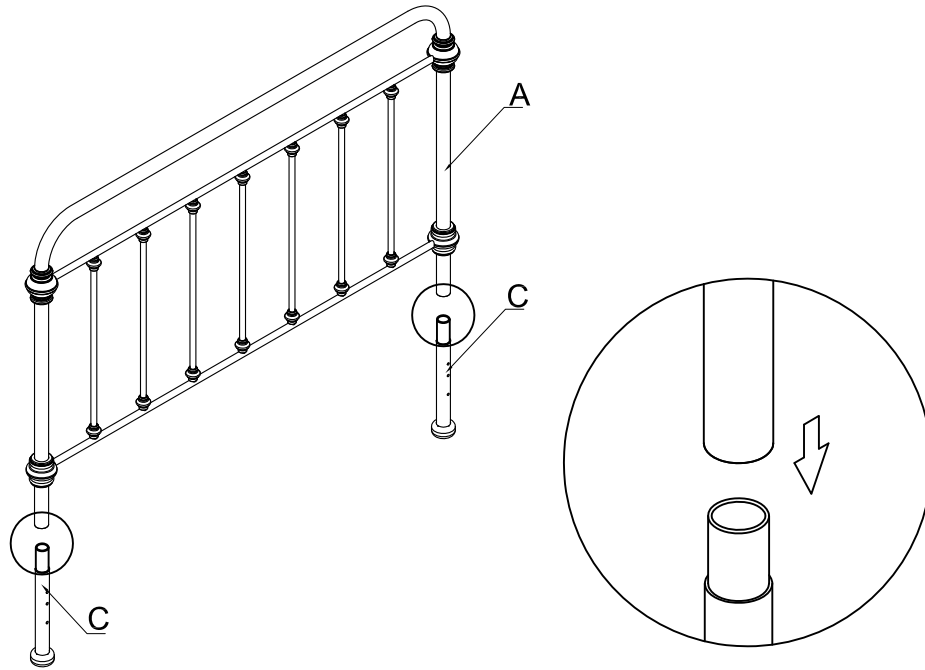
1pc



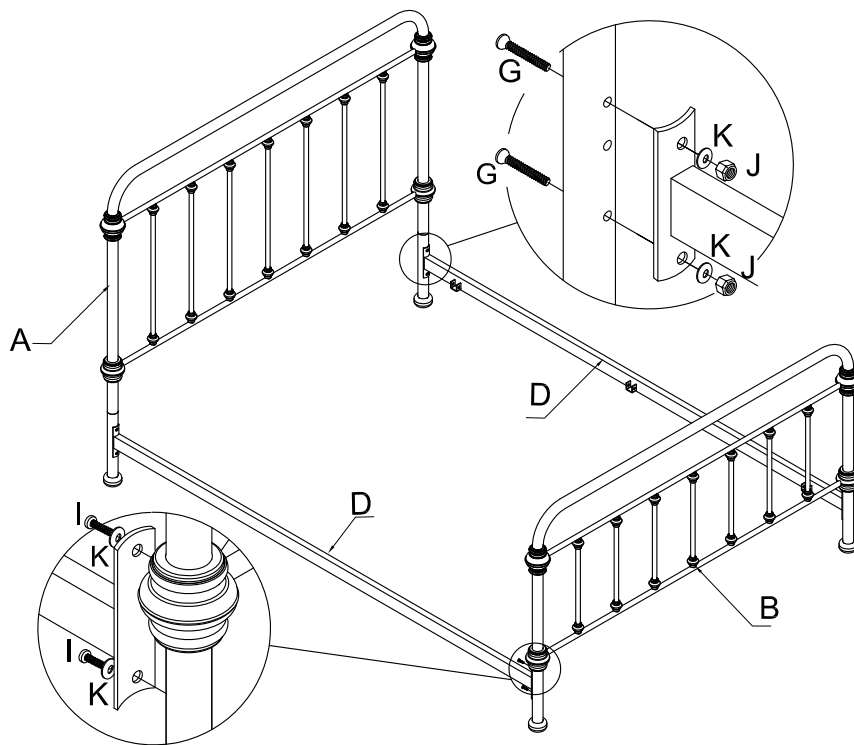
This page lists all the contents included in the box. Please take the time to identify the hardware as well as the individual components to this product. As you unpack and prepare for assembly, place the contents on a carpeted or padded area to protect them from damage.

1

Assemble the headboard(A) to the extension leg(C).

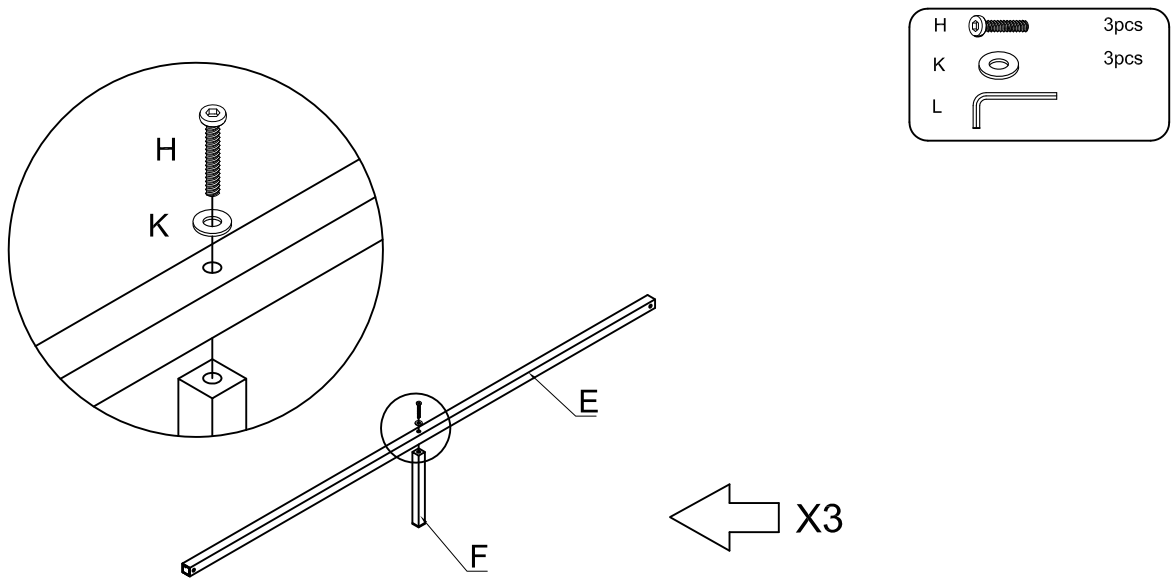
**2**

Assemble the side rail(D) to the headboard(A) & footboard(B) with 2pcs bolt(G), nut(J), flat washer(K) for each end of headboard(A) and 2pcs bolt(I), flat washer(K) for each end of footboard(B), then fastened using allen wrench(L) and wrench(M).

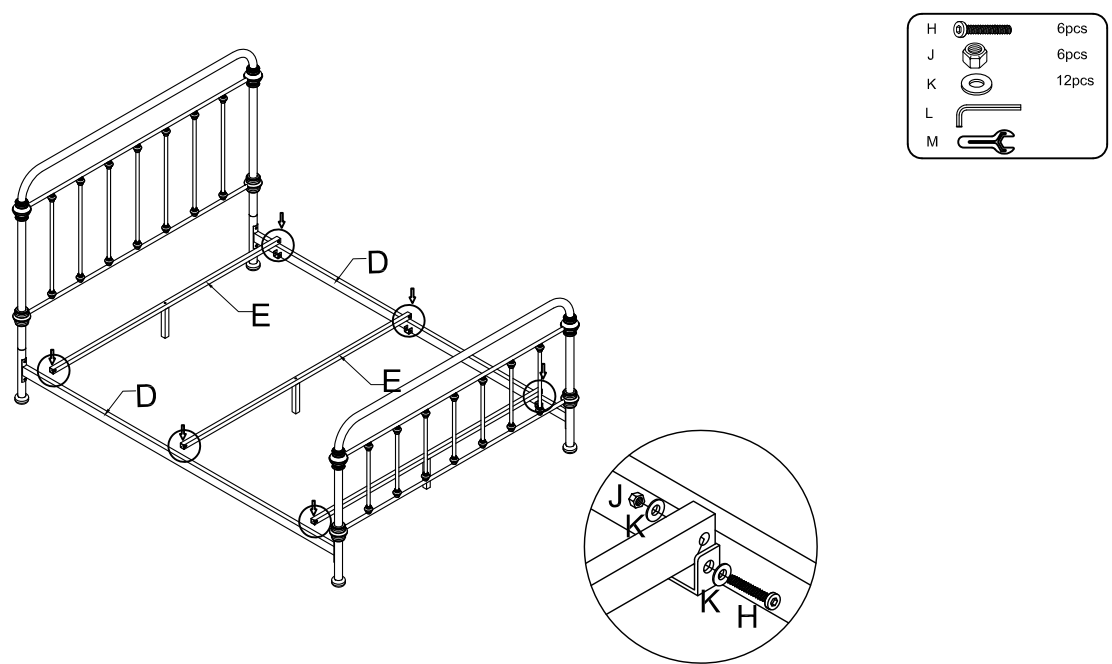


G		4pcs
I		4pcs
J		4pcs
K		8pcs
L		
M		

3 Assemble the slat(E) to the support leg(F) with 1pc bolt(H), flat washer(K) for each support leg(F), then fastened using allen wrench(L).



4 Assemble the slat(E) to the side rail(D) with 1pc bolt(H), nut(J) and 2pcs flat washer(K) for each end of slat(E), then fastened using allen wrench(L) and wrench(M).

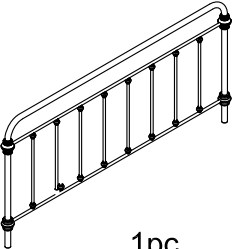
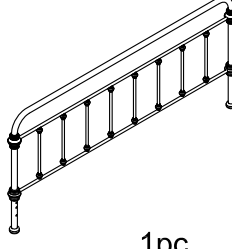

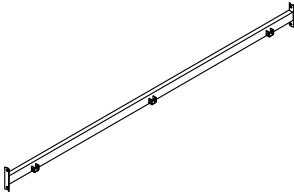
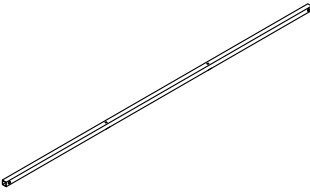



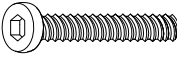


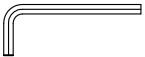
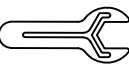


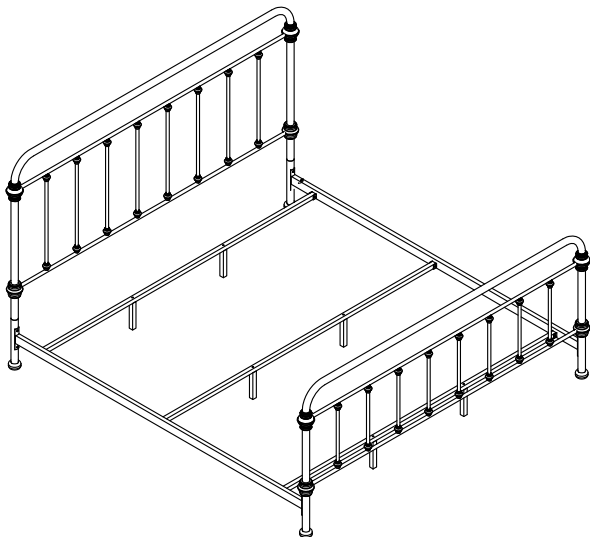
Cleaning & Care

Treat surface with care. Surface is resistant to scratches but is not scratch resistant. Clean surfaces with a dry or damp soft cloth. Do not use abrasive cleaners. Hardware may loosen over time. Periodically check that all connections are tight.

ASSEMBLY INSTRUCTION

KING SIZE METERAL BED

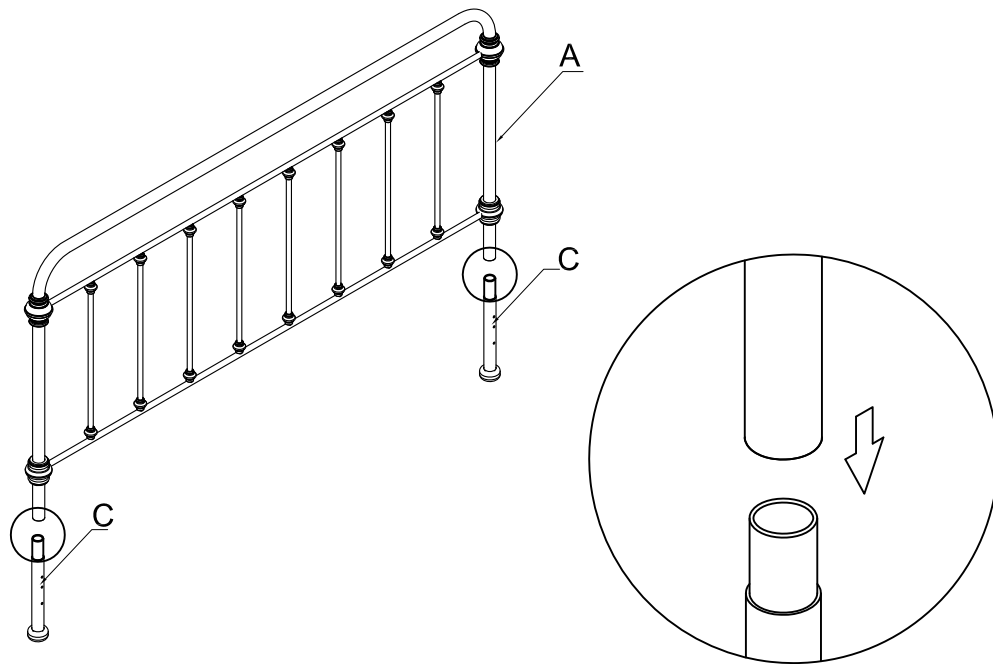
A Headboard  1pc	B Footboard  1pc	C Extension Leg  2pcs	D Side Rail  2pcs
E Slats  3pcs	F Support Leg  6pcs	G Bolt 1/4",57mm  4pcs	H Bolt 1/4",45mm  12pcs
I Bolt 1/4",22mm  4pcs	J Nut  10pcs	K Flat Washer \varnothing 16mm  26pcs	L Allen Wrench 4X4mm  1pc
M Wrench 11.3mm  1pc			



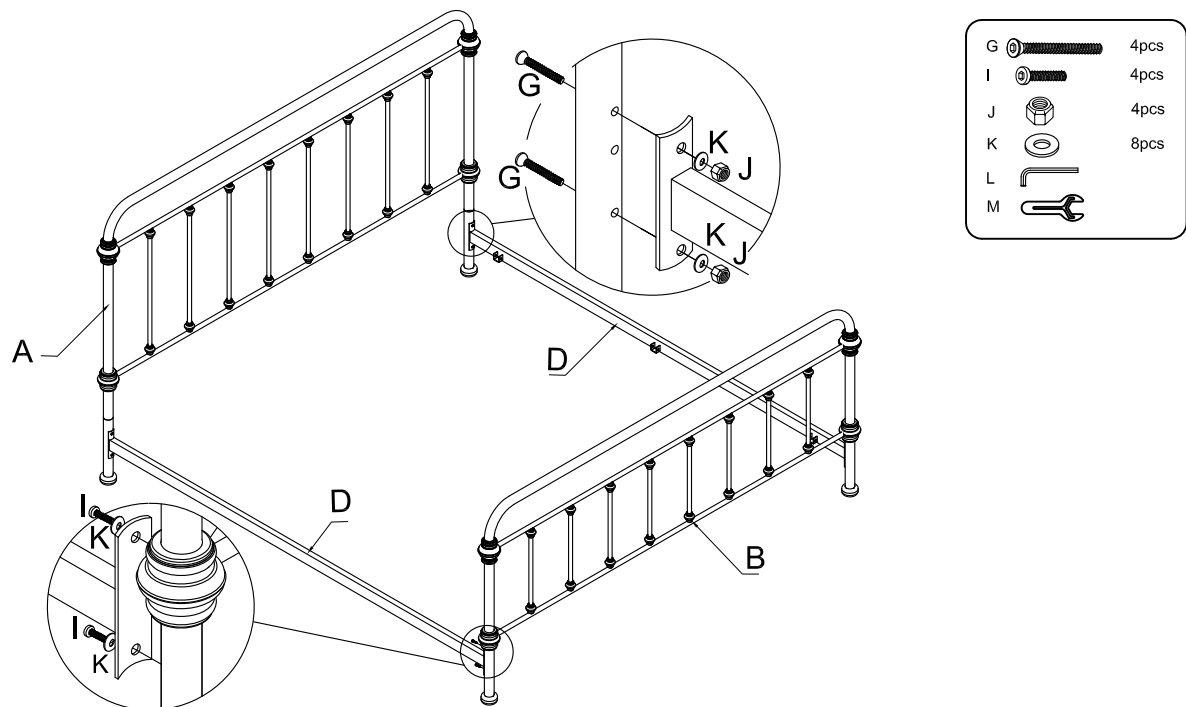
This page lists all the contents included in the box. Please take the time to identify the hardware as well as the individual components to this product. As you unpack and prepare for assembly, place the contents on a carpeted or padded area to protect them from damage.

1

Assemble the headboard(A) to the extension leg(C).

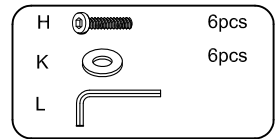
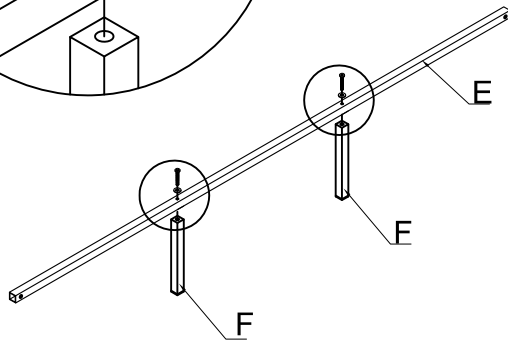
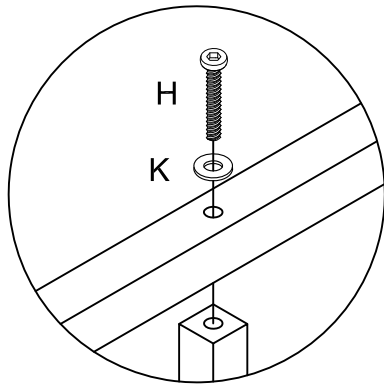
**2**

Assemble the side rail(D) to the headboard(A)&footboard(B) with 2pcs bolt(G),nut(J),flat washer(K) for each end of headboard(A) and 2pcs bolt(I),flat washer(K) for each end of footboard(B), then fastened using allen wrench(L) and wrench(M).

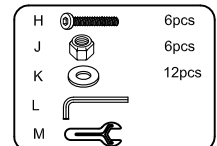
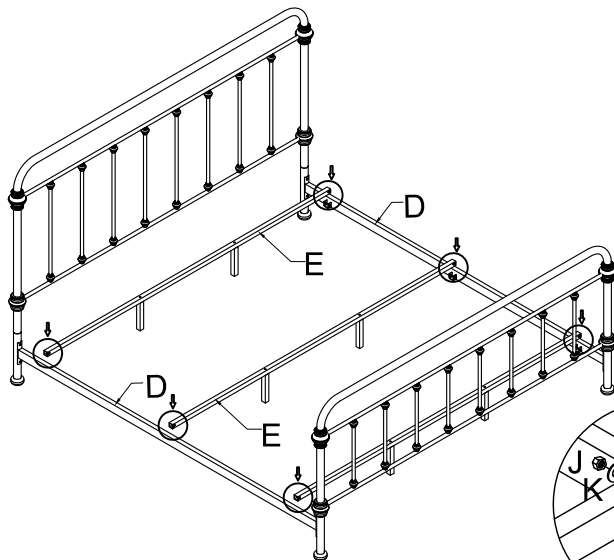


3

Assemble the slat(E) to the support leg(F) with 1pc bolt(H),flat washer(K) for each support leg(F),then fastened using allen wrench(L).

**4**

Assemble the slat(E) to the side rail(D) with 1pc bolt(H), nut(J) and 2pcs flat washer(K) for each end of slat(E), then fastened using allen wrench(L) and wrench(M).



Cleaning & Care

Treat surface with care. Surface is resistant to scratches but is not scratch resistant. Clean surfaces with a dry or damp soft cloth. Do not use abrasive cleaners. Hardware may loosen over time. Periodically check that all connections are tight.