

WARNING!!

Children have died from furniture tipover. Tip restraints have been included with this product; you must install the tip restraints according to these instructions in order to minimize the risk of furniture tipping.

NEVER allow children to climb or hang on furniture, including drawers or cabinet doors.

In addition to installing the restrains, to help prevent tip-over

1. **NEVER** put a TV or other heavy objects on top of this product".
2. **Do not stand on the product**

 WARNING	
	<p>Children have died from furniture tipover. To reduce the risk of furniture tipover:</p> <ul style="list-style-type: none">• ALWAYS install tipover restraint provided• NEVER put a TV on this product.• NEVER allow children to stand, climb or hang on drawers, doors, or shelves.• NEVER open more than one drawer at a time.• Place heaviest items in the lowest drawers.• Do not defeat or remove the drawer interlock system.
	<p><i>This is a permanent label. Do not remove!</i></p>

WARNING!!

Furniture Tipping Risk.

Serious risk of severe or fatal crush injuries can occur from furniture tipping over if not secured.

Children like to climb on furniture and Unsecured furniture can pose a serious danger.

Please follow all instructions and install the tip-over restraints provided.












In addition to installing the restraints, to help prevent tip-over:

- 1. Place heaviest items in the lowest drawers,**
- 2. Unless specifically designed to accommodate, do not set TV's or other heavy objects on top of this product,**
- 3. Never allow children to climb or hang on drawers, doors, or shelves,**
- 4. Do no leave drawers open,**
- 5. Never open more than one drawer at a time, and**
- 6. Do not step on the base.**

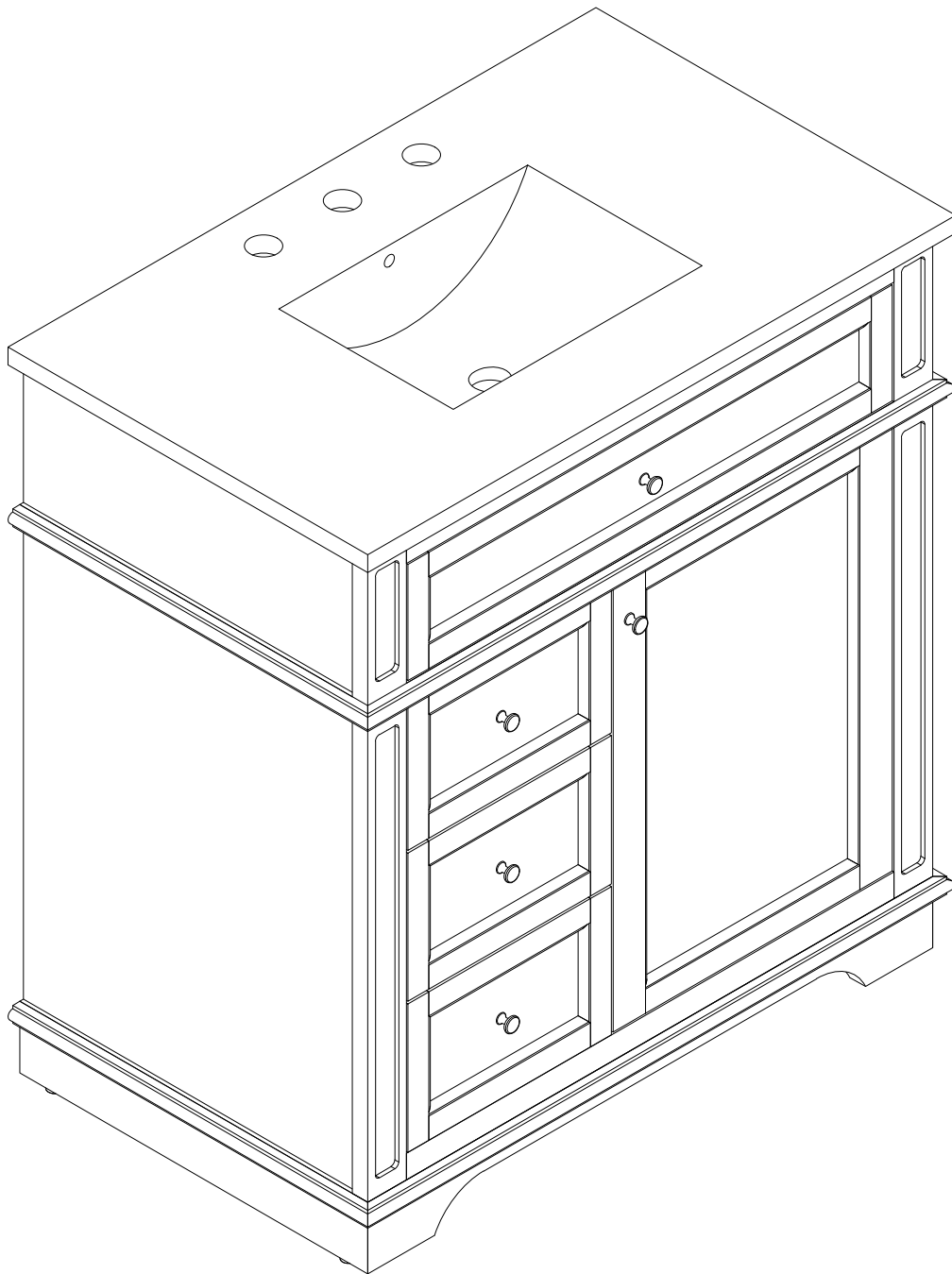
Assembly Instructions

CAUTION: You must read these Assembly Instructions before you proceed.

Care & Maintenance

- ⊘  ● Not for commercial use. For residential use only.
- ✓  ● Furniture may scratch floors. We recommend using furniture pads to protect your floors.
- ⊘  ● Do not put hot items directly on furniture surface.
- ⊘  ● Do not clean furniture with harsh cleansers or polish.
- ⊘  ● Do not place furniture under direct sunlight
- ⊘  ● Do not place furniture near heating or cooling vents.
- ⊘  ● Do not write on furniture without a padded barrier to protect the surface.
- ⊘  ● Do not place furniture outside. For indoor use only.
- ⊘  ● Stains may be removed with mild soap solution and damp cloth.
- ⊘  ● Children should not climb or jump on the furniture.
- ✓  ● Dust and pick-up spills using a clean, non-colored, lint-free cloth.

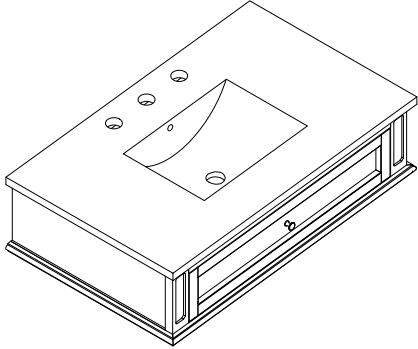
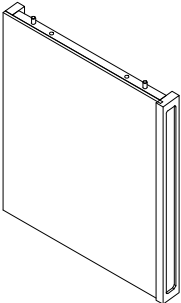
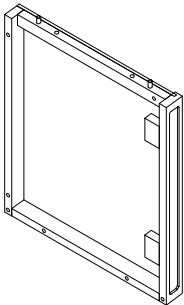
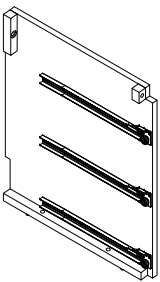
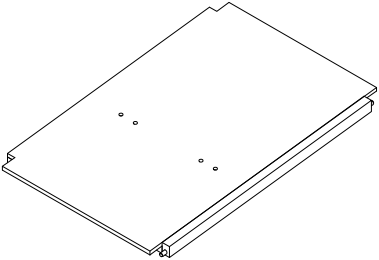
Please look under the Cabinet for hardware pack.



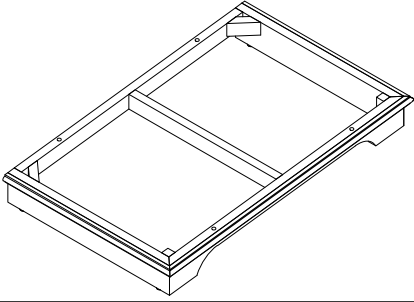
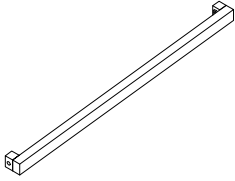
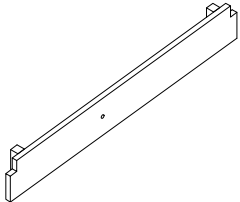
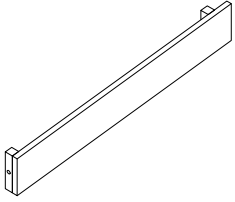
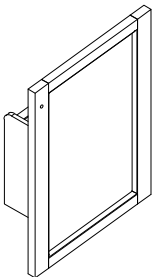
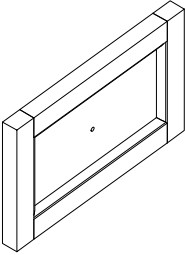
CAUTION : This Vanity is NOT a TOY. Keep your child / children at bay in the process of assembly.

For turning / flipping the Vanity and to prevent damage to the Vanity, 02 persons may be needed to execute this action.

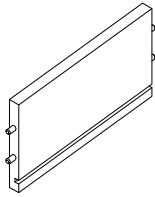
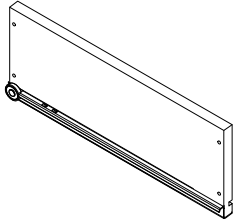
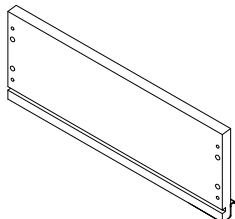
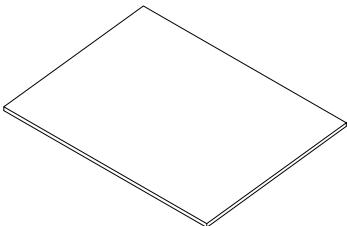
Parts List

Label	Picture	Description	Qty
A		Top	1
B		Left side frame	1
C		Right side frame	1
D		Partition frame	1
E		Bottom frame	1










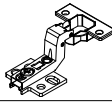

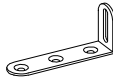
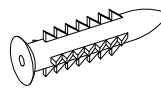
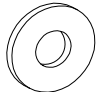
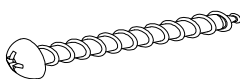
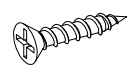
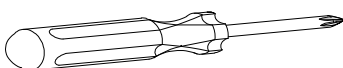
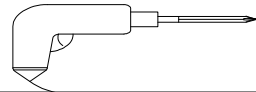
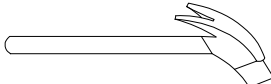
Parts List

Label	Picture	Description	Qty
F		Base frame	1
G		Front cross bar	1
H		Rear top bar	1
I		Rear bottom bar	1
J		Right door	1
K1,K2,K3		Drawer front panel	3

Parts List

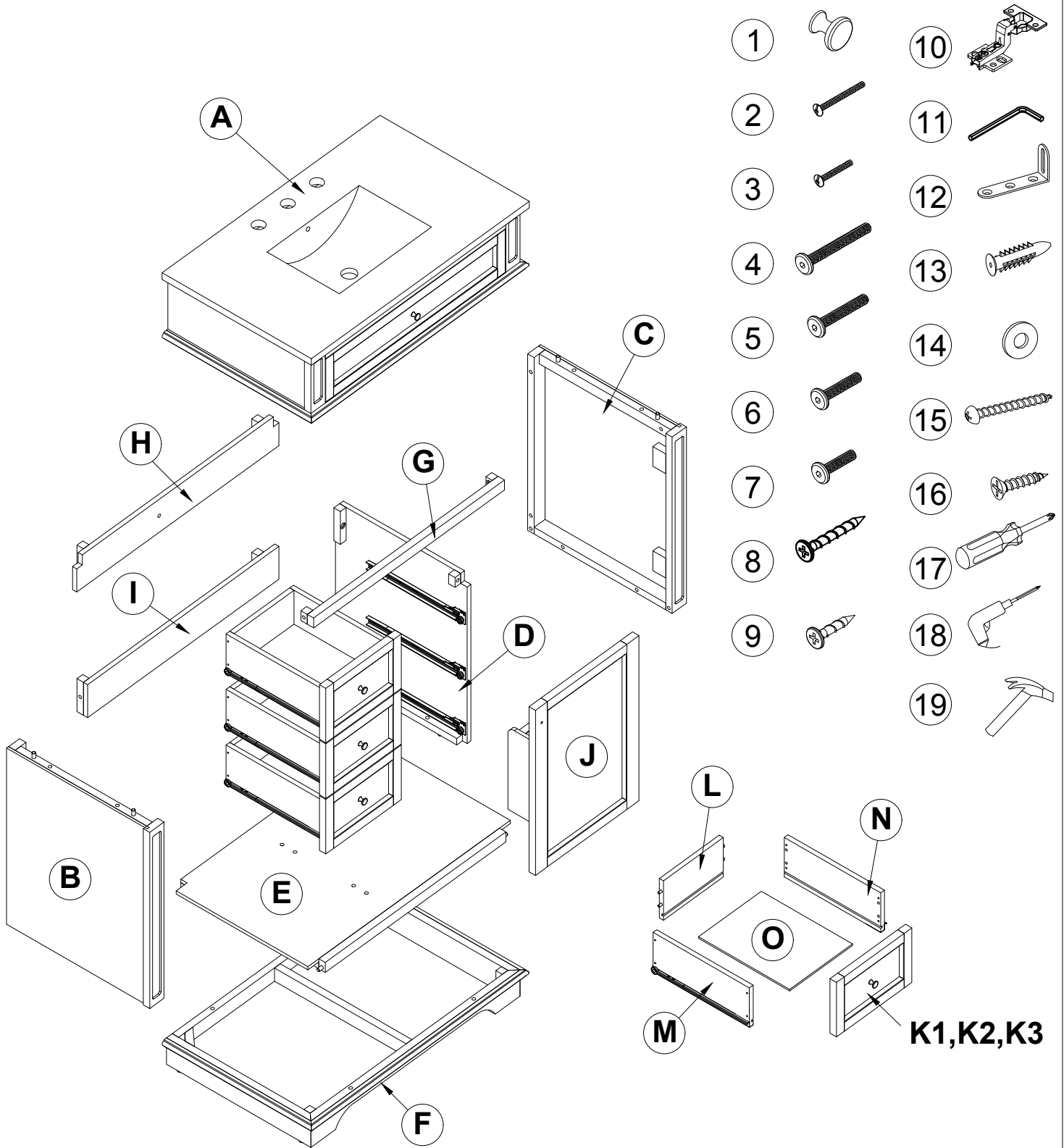
Label	Picture	Description	Qty
L		Drawer back panel	3
M		Drawer left side panel	3
N		Drawer right side panel	3
O		Drawer bottom panel	3

Hardware

Label	Picture	Description	Qty
①		Knob	4
②		Bolt M4x30	4
③		Bolt M4x25	2
④		Bolt M6x50	5
⑤		Bolt M6x40	5
⑥		Bolt M6x30	13
⑦		Bolt M6x25	3
⑧		Screws M4x30	25
⑨		Screws M4x15	13
⑩		Hinges	2
⑪		Allen wrench M4	2
⑫		L-shape Metal Brackets	2
⑬		Plastic Anchor (5F)	3
⑭		Washer (Ø6,5x18x1mm)	3
⑮		Self Tapping Screws (M5x 40mm)	3
⑯		Self Tapping Screws (M4x 20mm)	7
⑰		Screwdriver (not provided)	1
⑱		Power Drill (not provided)	1
⑲		Hammer (not provided)	1

Assembly Preparation

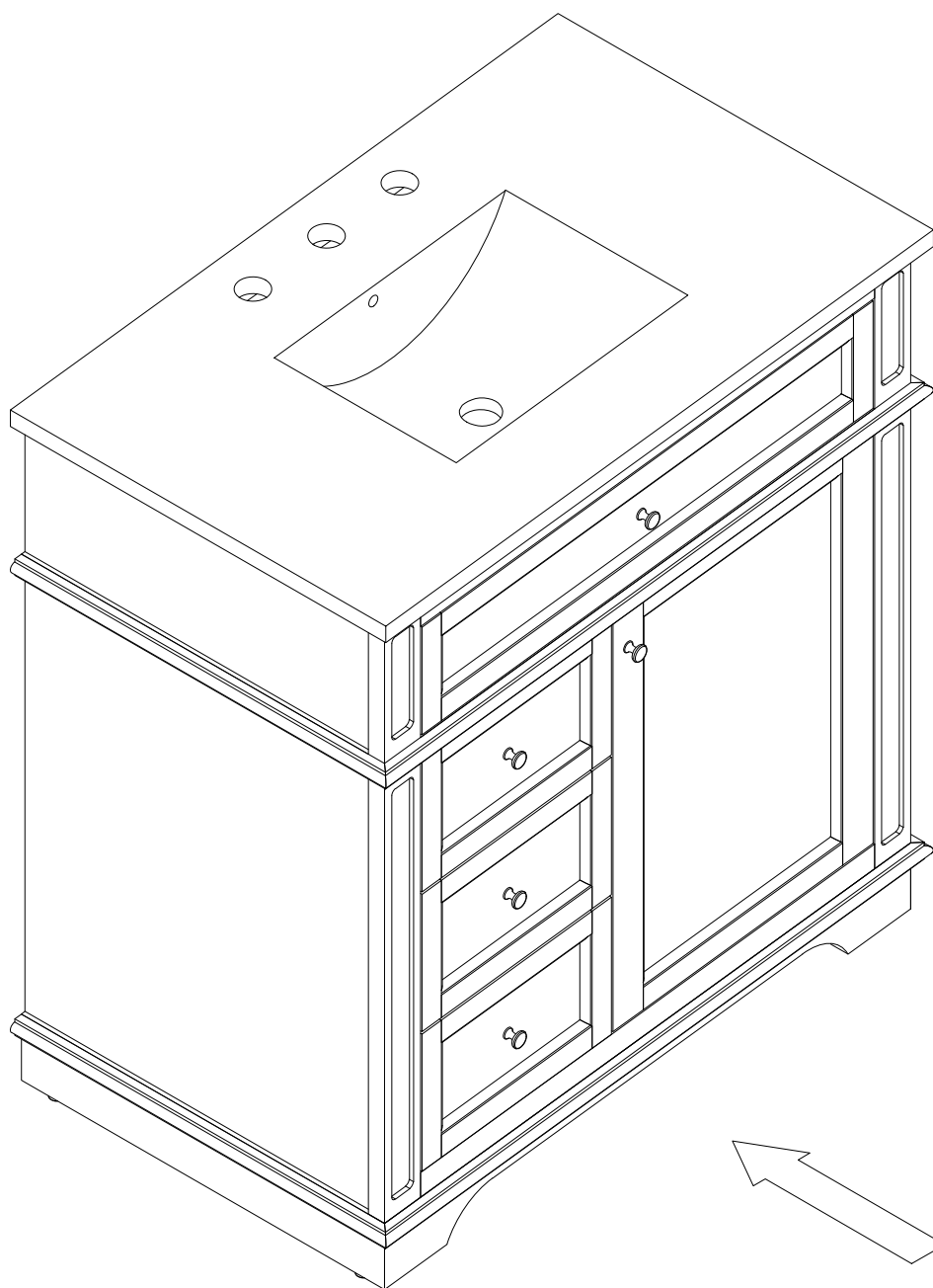
Before Beginning Assembly:



- Read instructions, cover to cover.
- Have 2 adults on hand for assembly.
- Do not assemble on flooring or carpet.
- Assemble on a clean non-marring surface (packing foam).
- Save all packaging until finished.

Assembly Steps

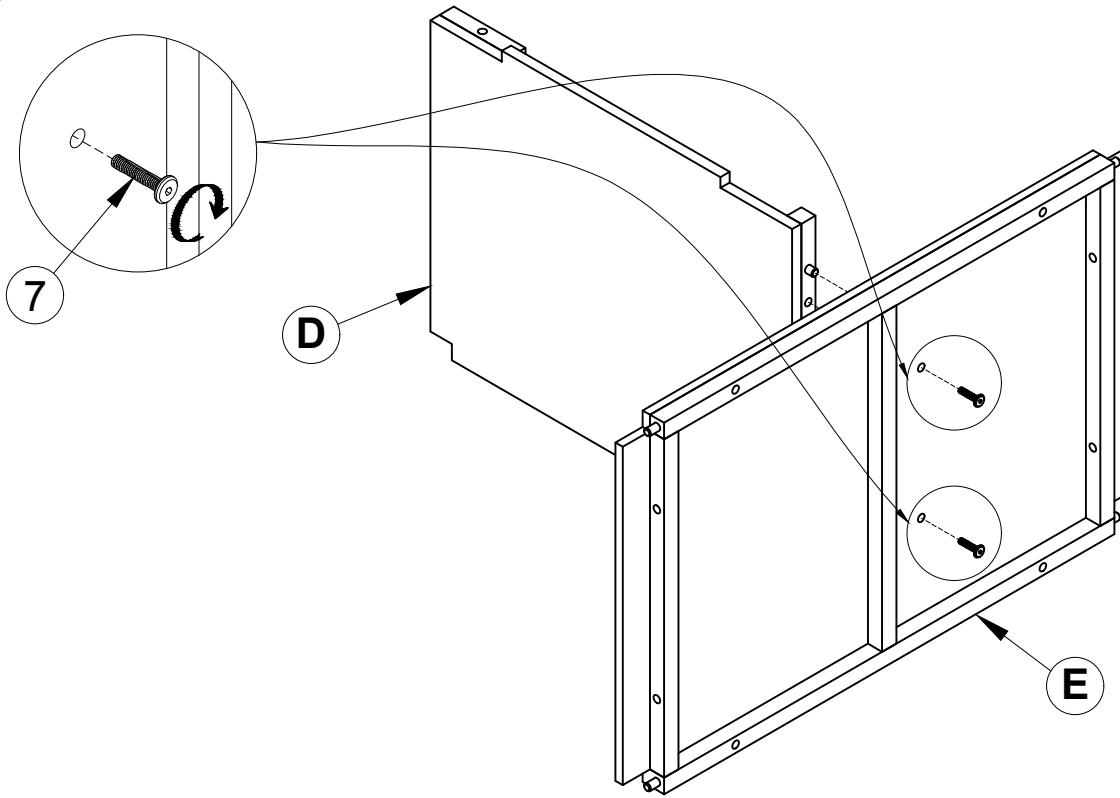
OVERVIEW



FRONT FACING

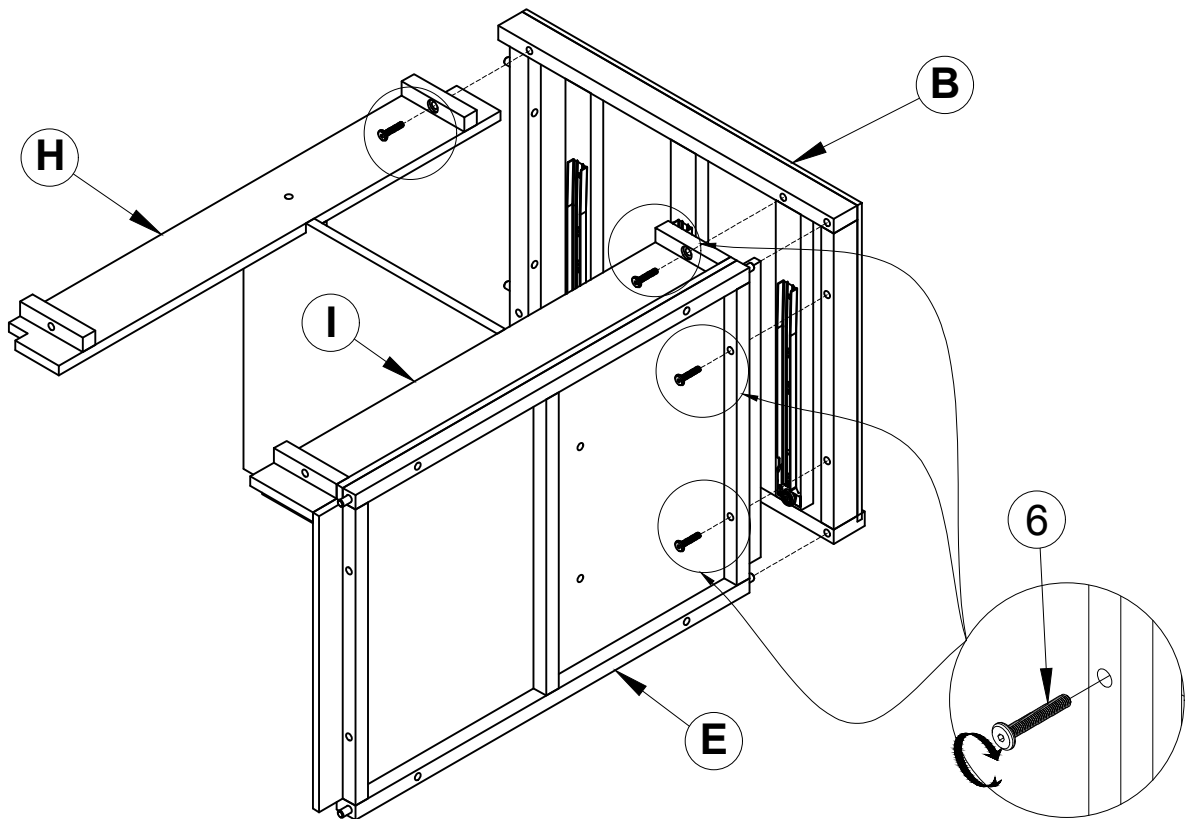
This Vanity has multiple parts and may require up to 45 minutes to assemble. To give you an overview of the Vanity parts, the above picture is to help you put the various parts into perspective. Please read through the instructions below to familiarise yourself with the parts and steps before assembly.

Step 2



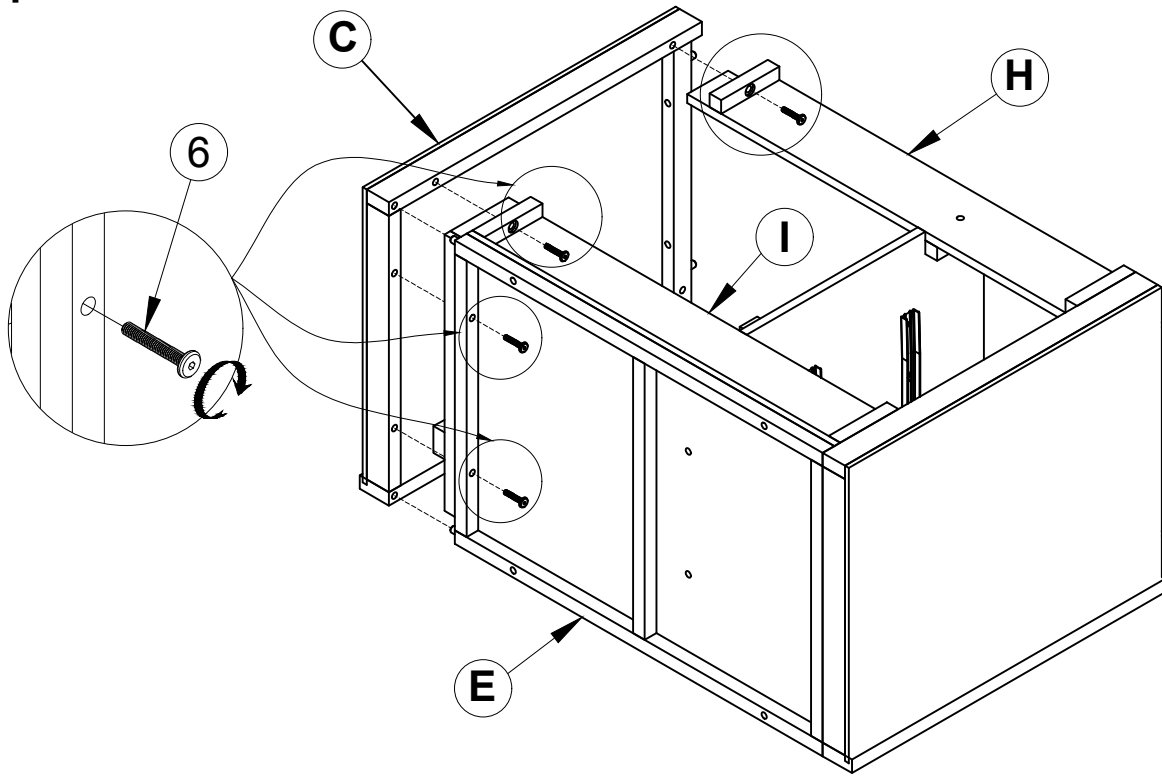
Insert Partition frame (D) and Bottom frame (E) with Bolt M6x25 (7).

Step 3



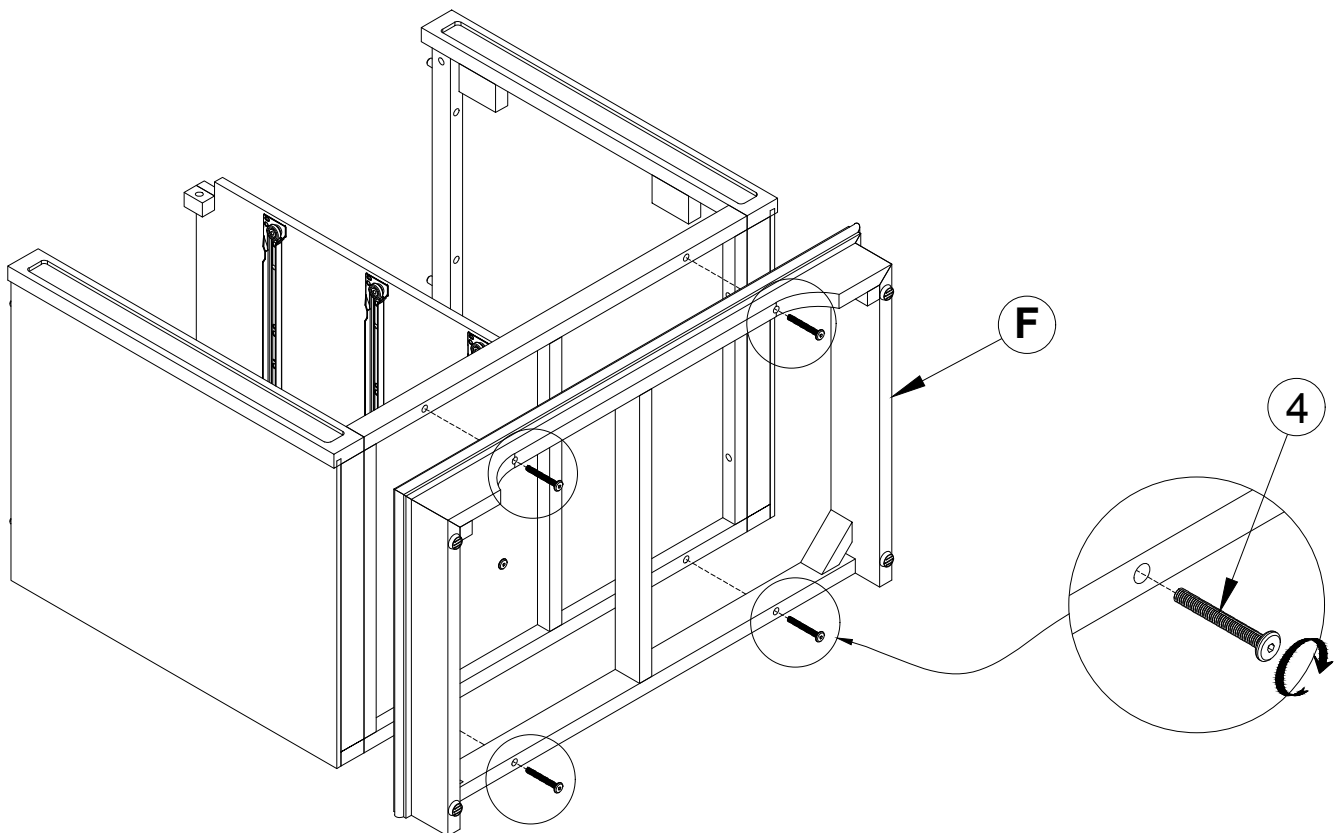
Insert Left side frame (B), Bottom frame (E), Rear top bar (H) and Rear bottom bar (I) with Bolt M6x30 (6).

Step 4



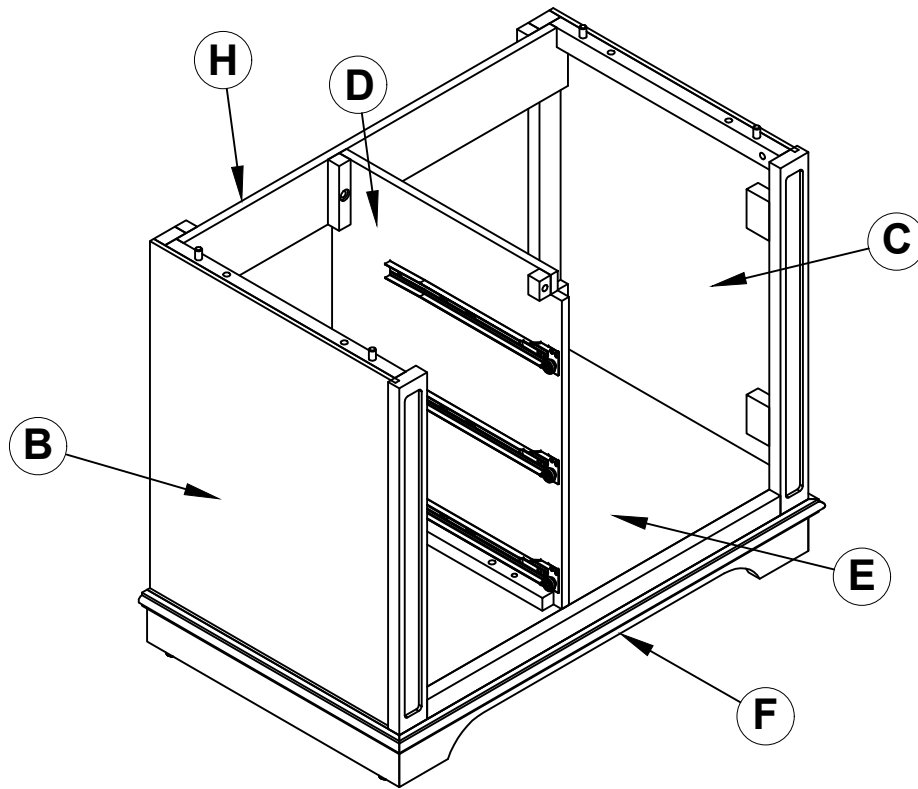
Insert Right side frame (C), Bottom frame (E), Rear top bar (H) and Rear bottom bar (I) with Bolt M6x30 (6).

Step 5



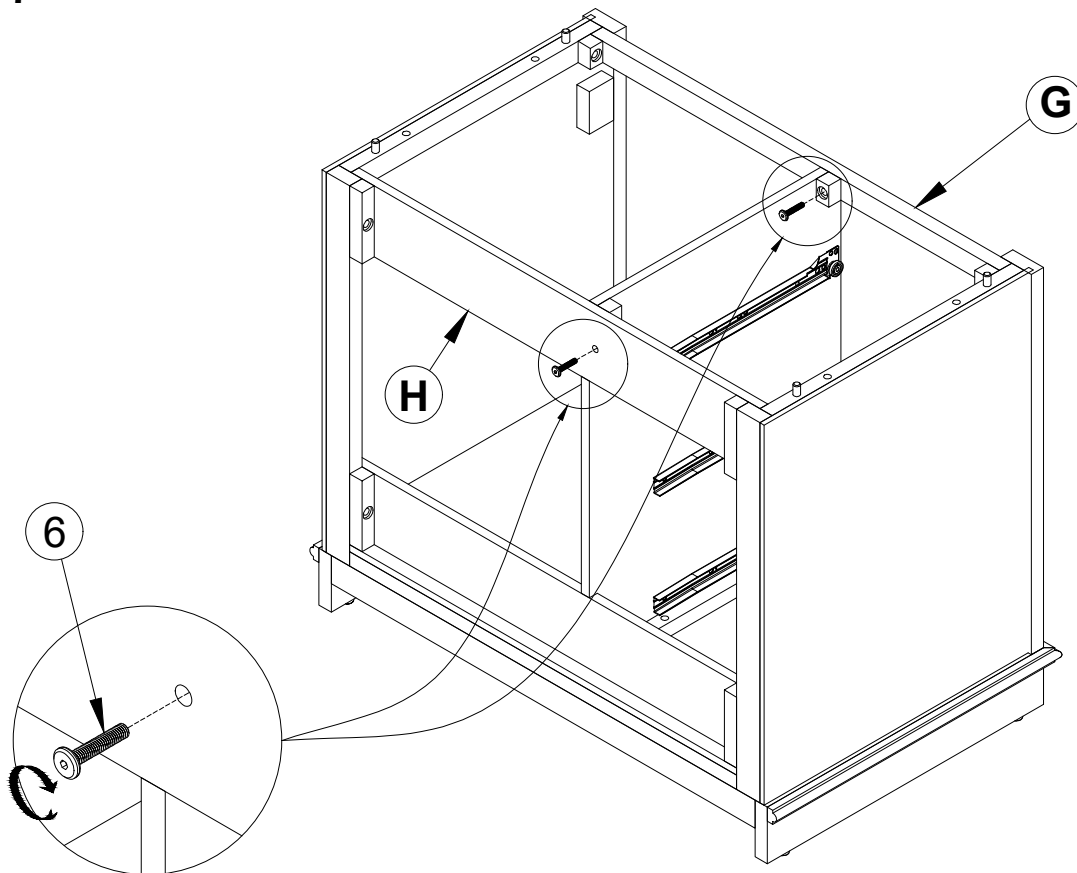
Insert Base frame (F) and Step 4 with Bolt M6x50 (4).

Step 6



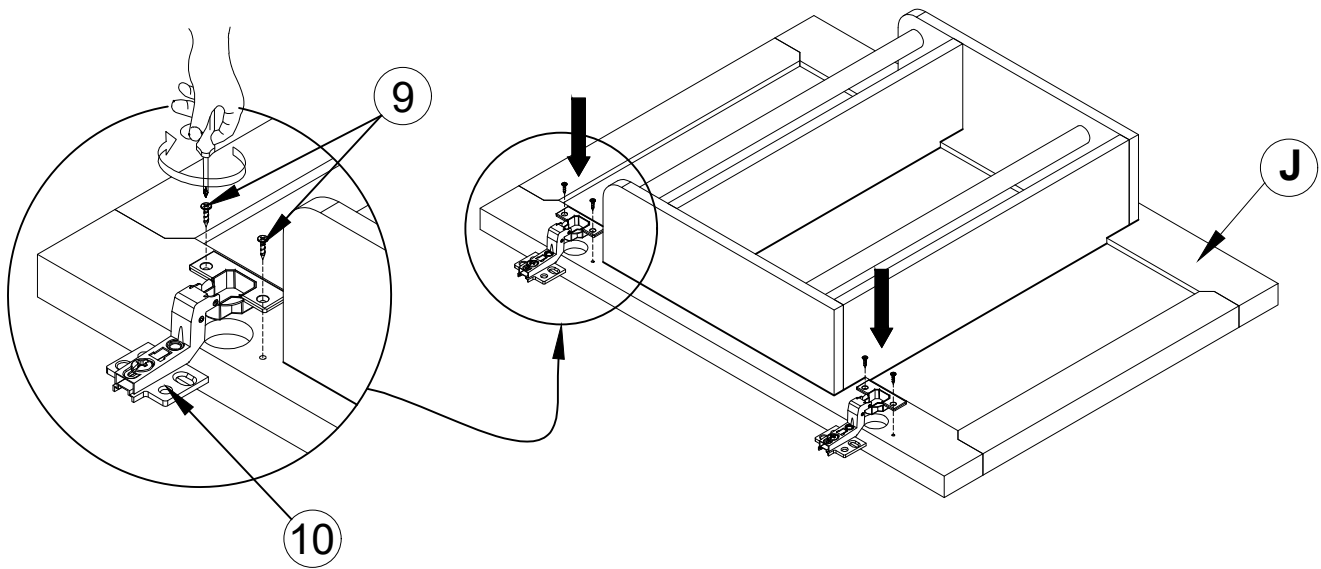
Flip to stand Step 5.

Step 7



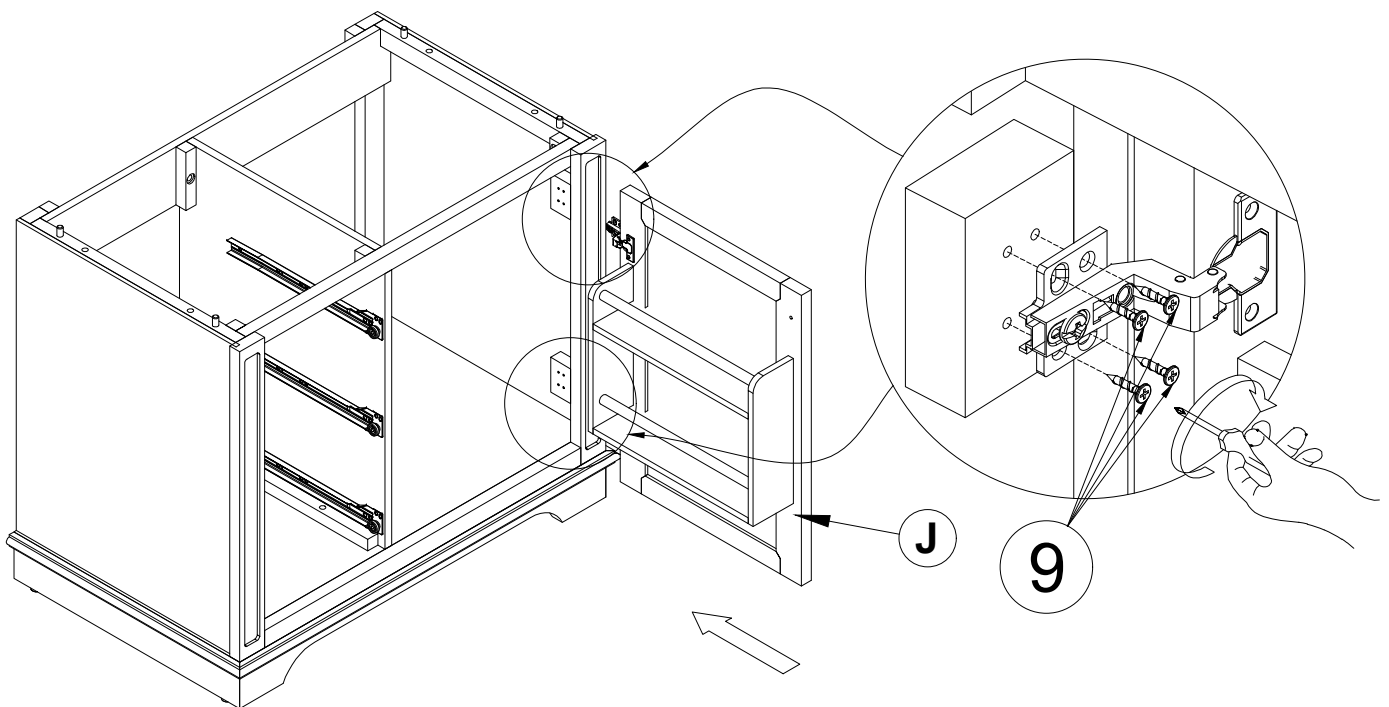
Insert Front cross bar (G), Rear top bar (H) and Step 6 with Bolt M6x30 (6).

Step 8



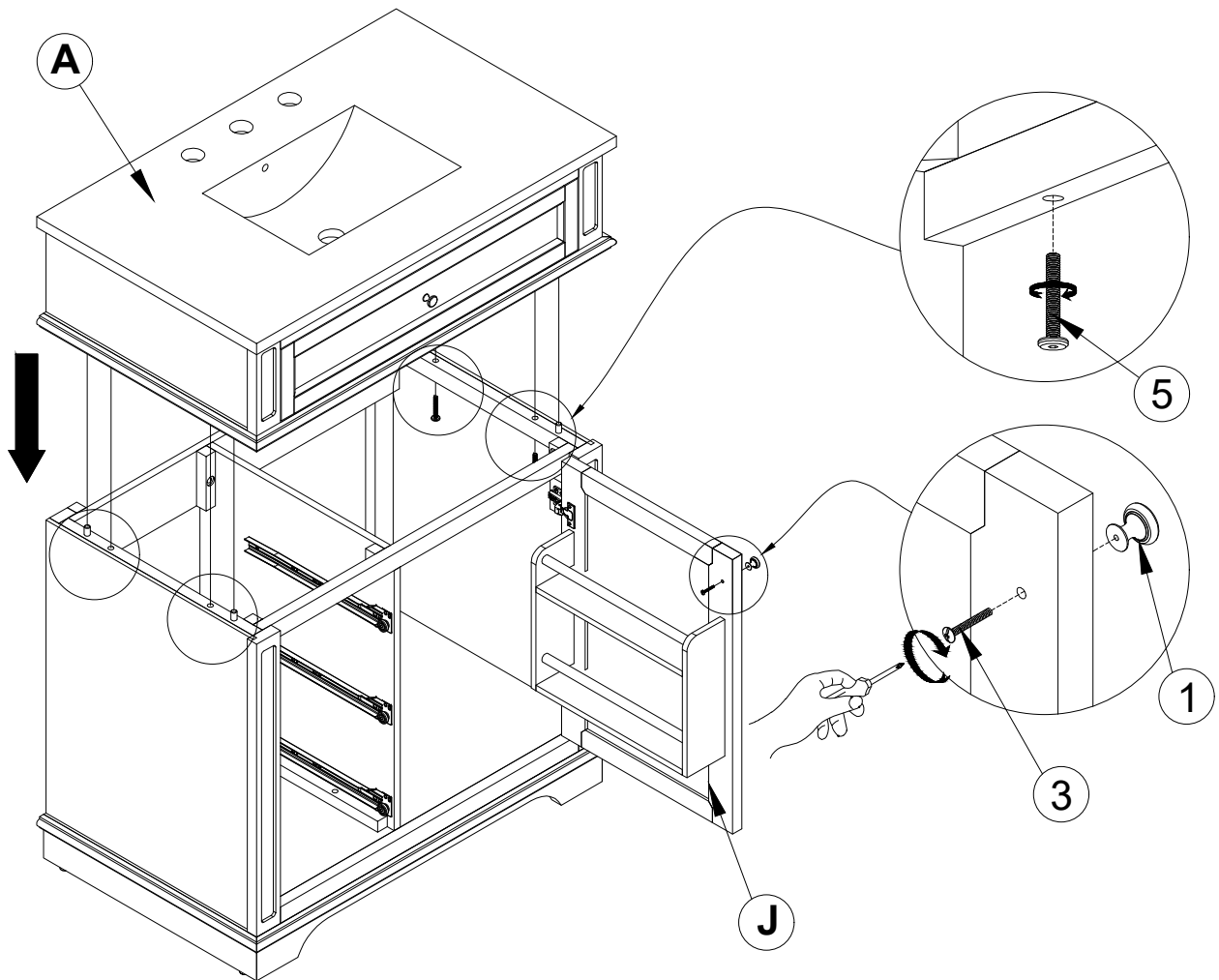
Insert Hinges (10) and Right door (J) with Screws M4x15 (9).

Step 9



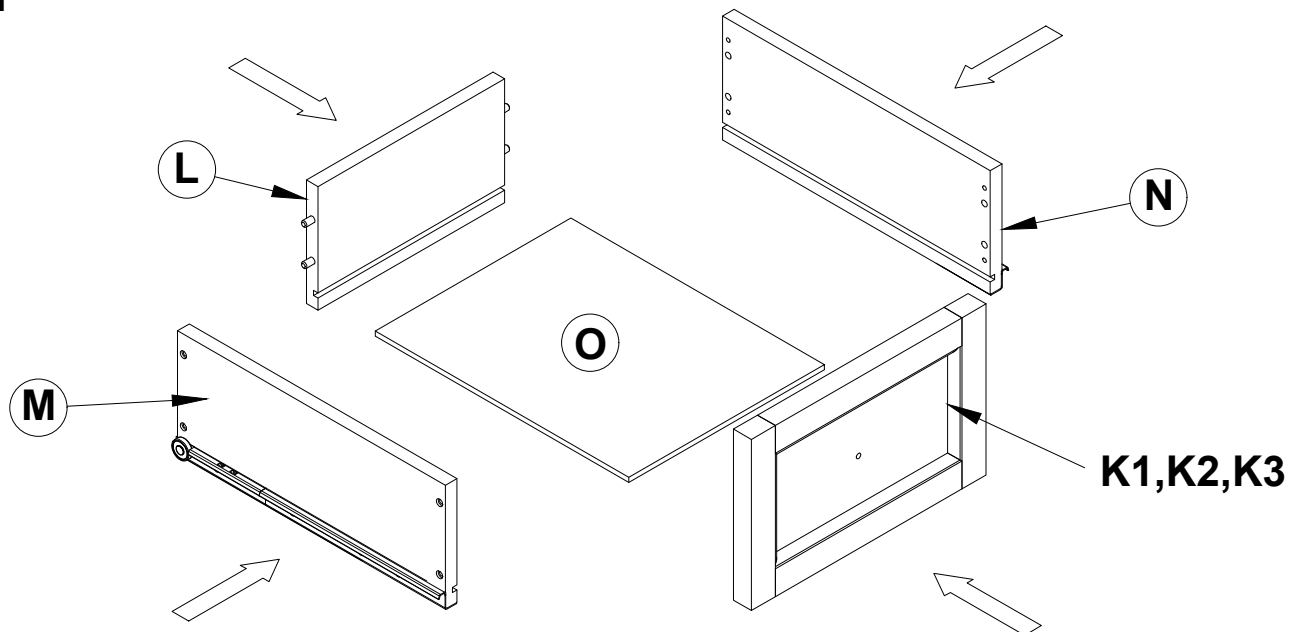
Insert Right door (J) and Step 7 with Screws M4x15 (9).

Step 10



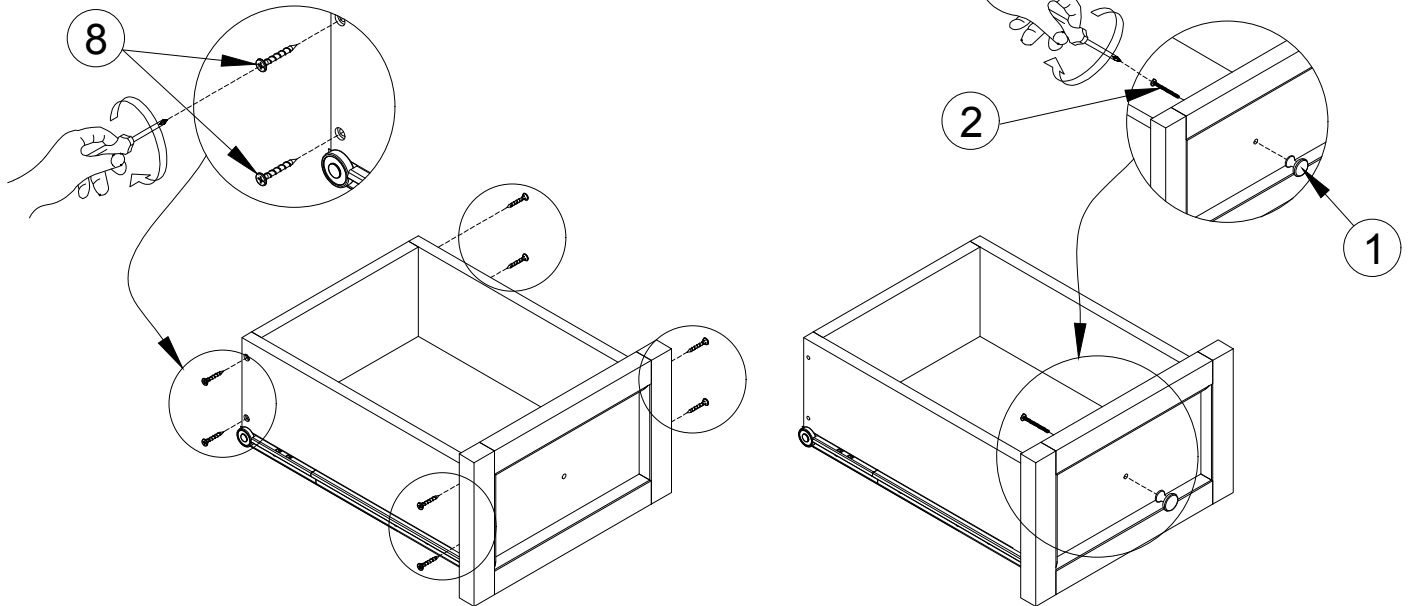
Insert Top (A) and Step 9 with Bolt M6x40 (5).
Insert Knob (1) and Right door (J) with Bolt M4x25 (3).

Step 11



Insert drawer.

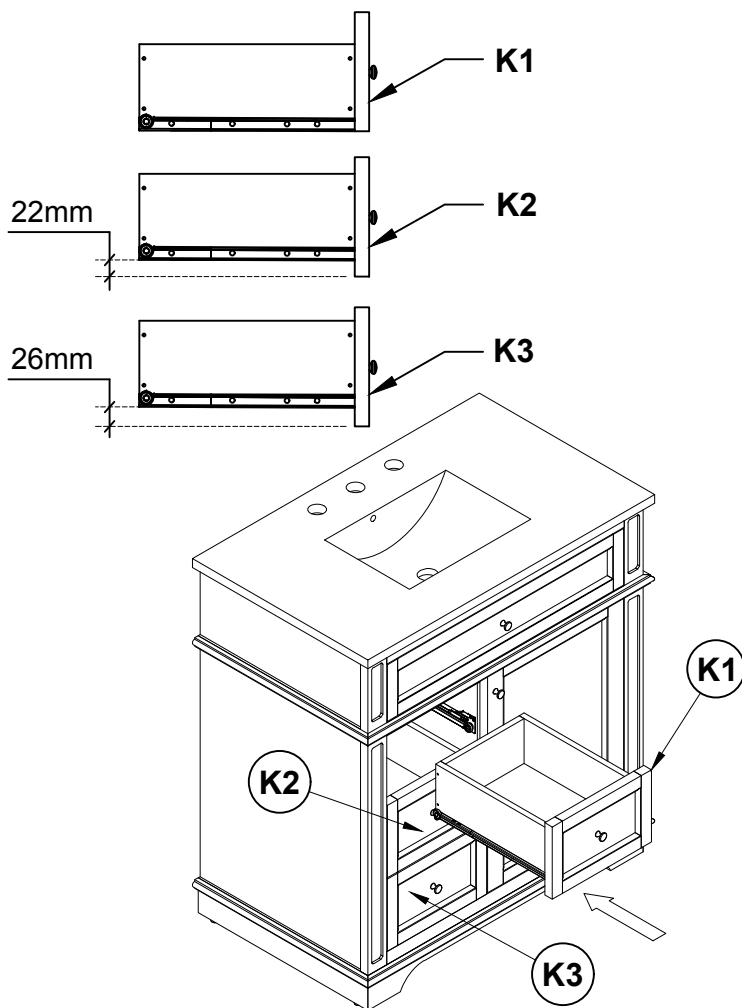
Step 12



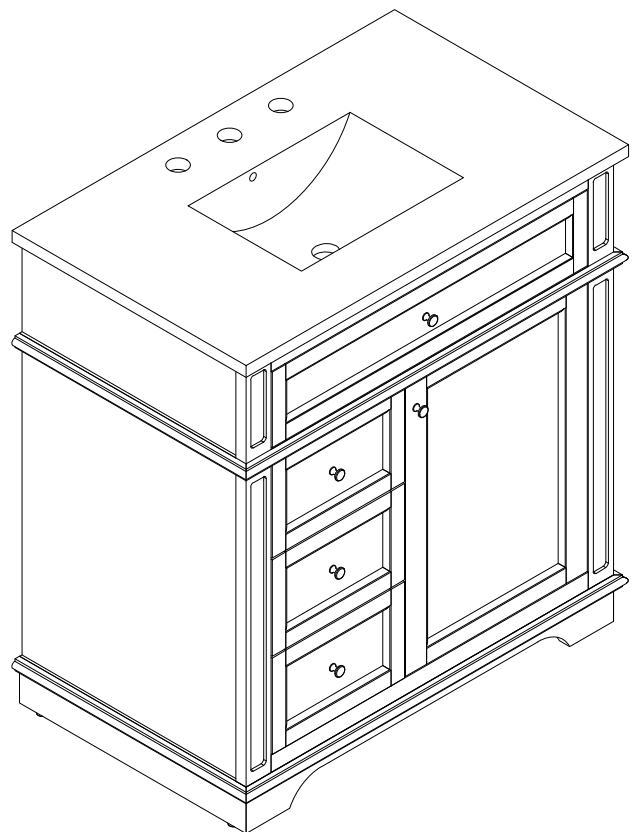
Insert all items drawer with Screws M4x30 (8)

Insert Knob (1) and drawer with Bolt M4x30 (2)

Step 13



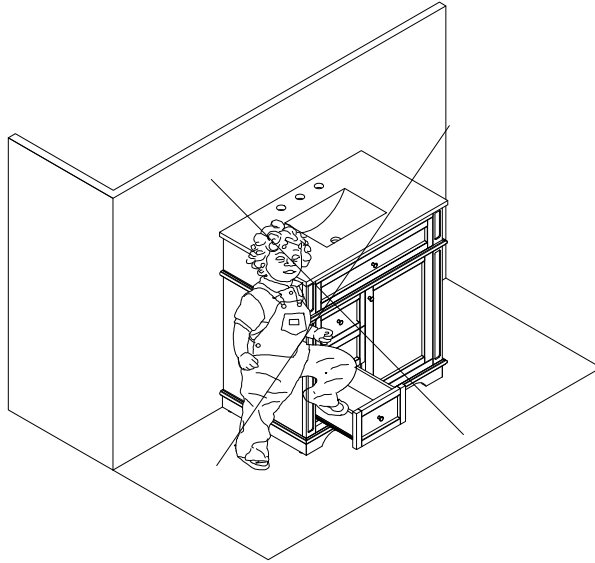
Step 14



Put the drawer into the cabinet frame respectively like picture.

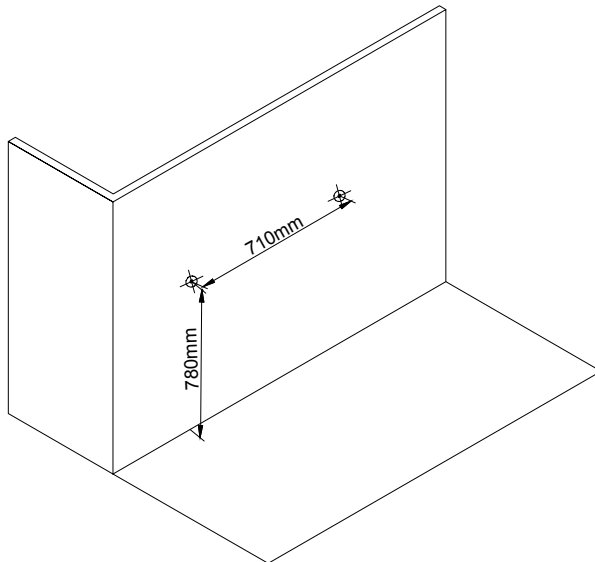
Vanity Restraint Device Installation Instruction

Serious or fatal crushing injuries can occur from tipping furniture.
To help prevent tip-over: **ALWAYS** secure this furniture to the wall
using Vanity Restraint Device.
See product instructions for more ways to help prevent furniture tip-overs.

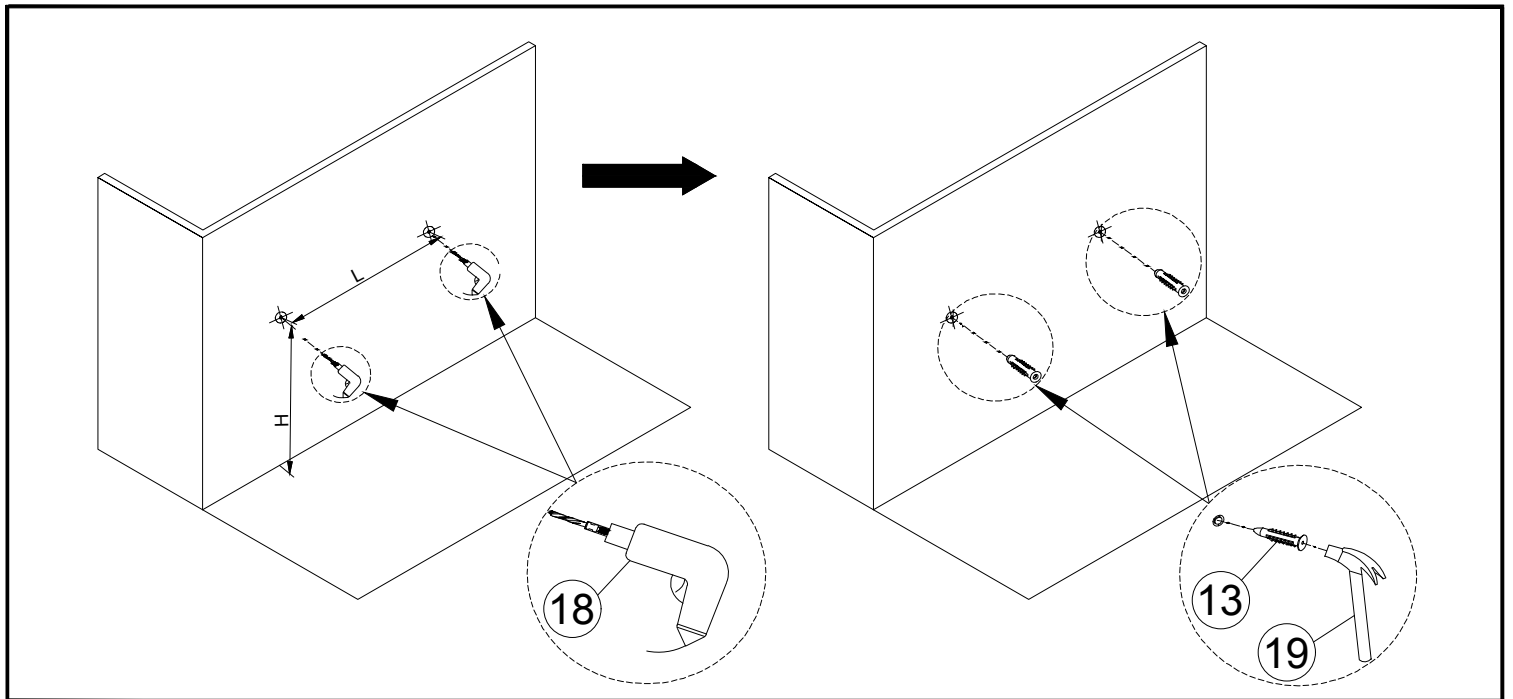


Usage For Vanity Restraint Device:

To secure the Vanity against the wall, affix 2pcs L-shape Metal Brackets (12) to the wall and to the Vanity, then use the Self tapping screws (15) to connect the L-shape Metal Brackets (12) to the wall.
Find details as below:

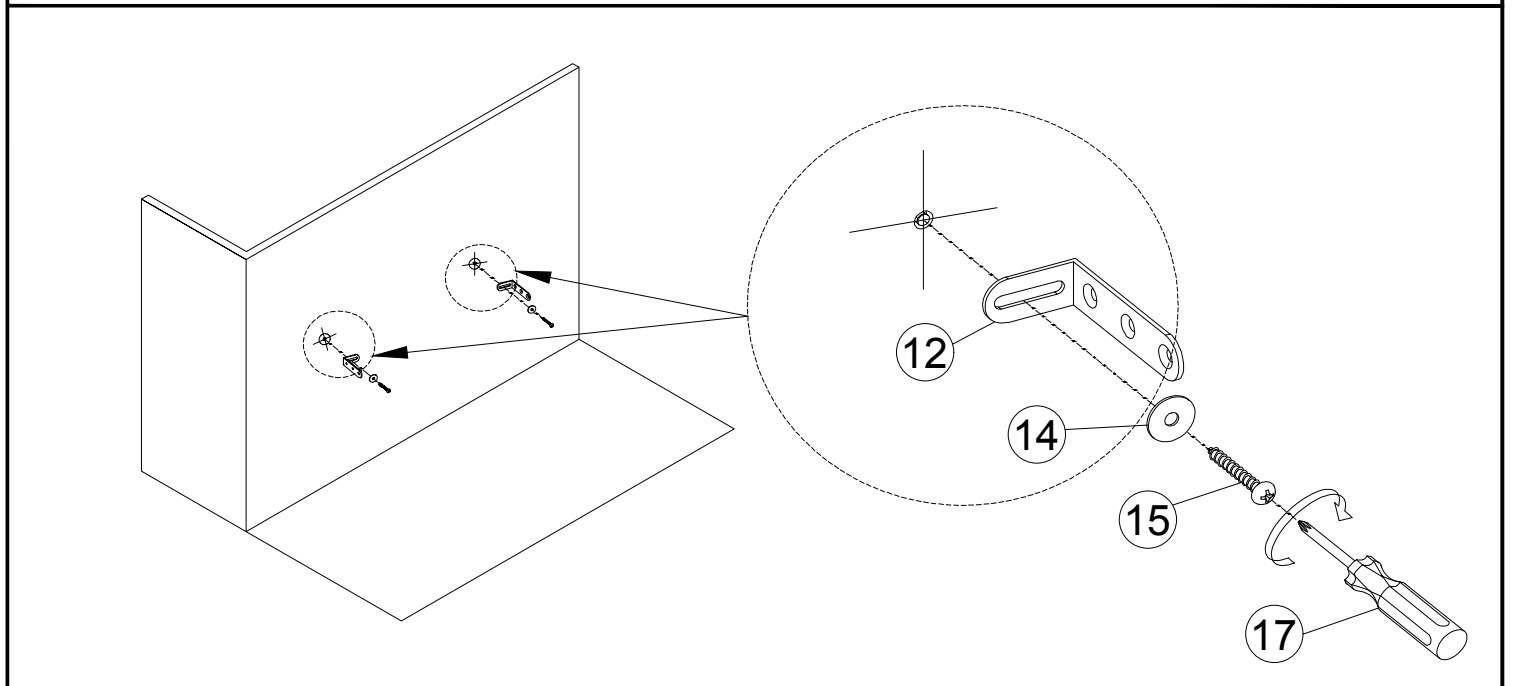


A: Determine the location where the screws should be inserted into the wall.
Mark the point at the same height and length on the wall as shown above.



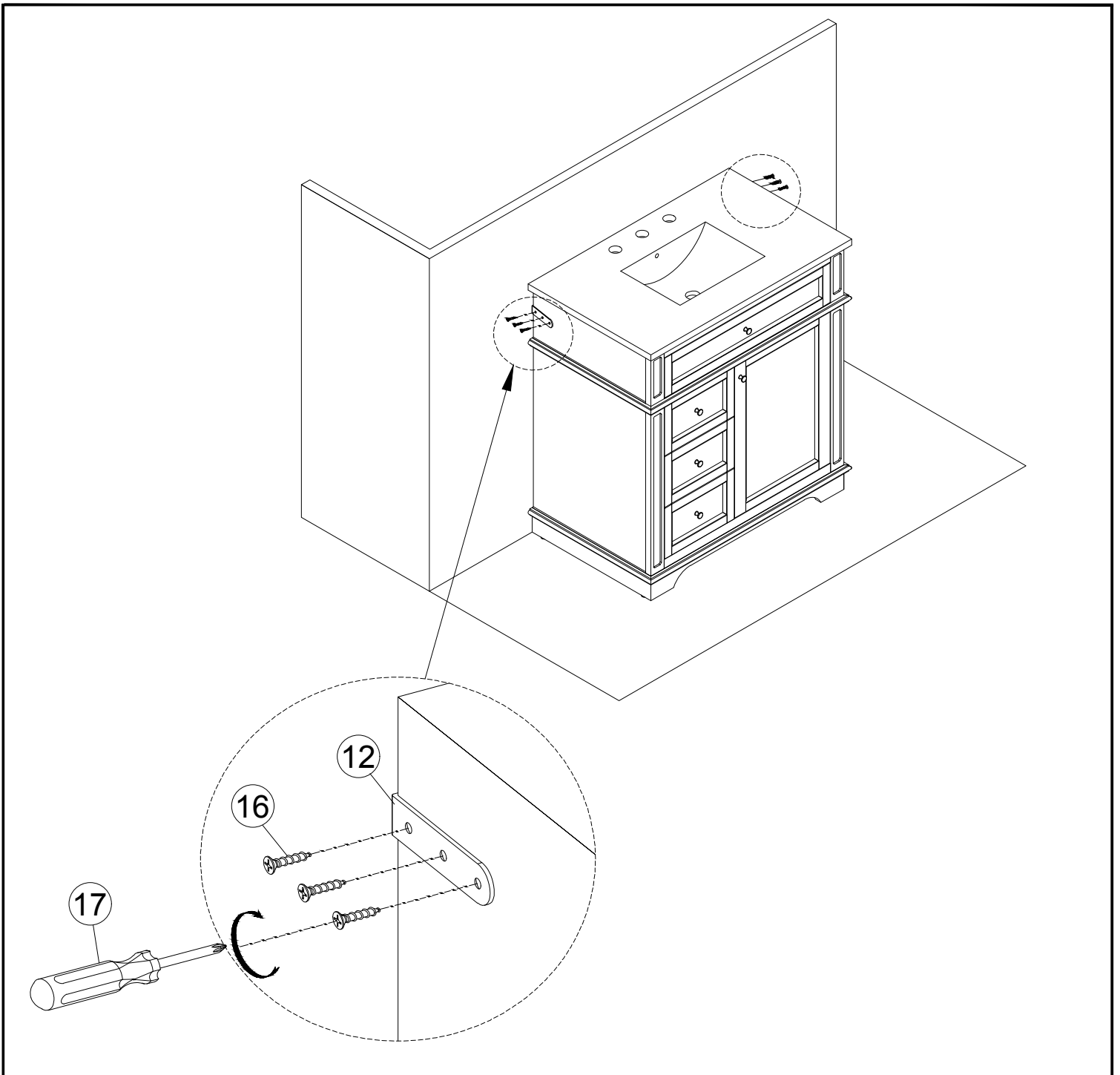
B: Affix the Plastic Anchor to the wall

Using a Power Drill(18)(not provided), drill a hole on the wall, then insert a Plastic Anchor (13) into the hole using a Hammer(19) (not provided). Repeat this step to affix the other Plastic Anchor (13) into the wall, as shown above.



C: Affix the L-shaped Metal Bracket (12) to the wall.

Then affix one L-shaped Metal Bracket (12) to the hole in the wall using the Self Tapping Screws (15), Washer (14) and Screwdriver (17)(not provided), as shown above. Repeat this step to affix the other Metal Bracket (12) to the wall as shown above.



D: Move the Vanity against the wall. Then connect the L-shaped Metal Bracket (12) to Vanity position on the wall by using the Self Tapping Screws (16) and Screwdriver (17)(not provided), as shown above. The Vanity Restraint Device is now installed and is ready for use.