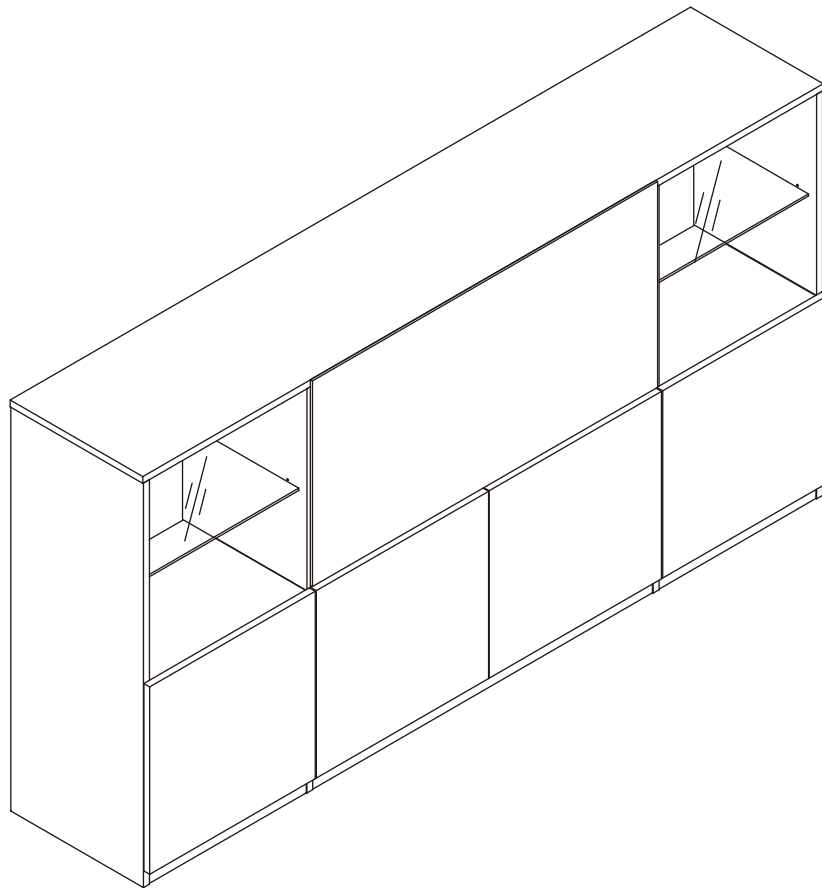


# Cabinet

Assembly Instructions - Please keep for future reference



## Dimensions

Width-67.7inch

Depth-13.8inch

Height-35.4inch

Important – Please read these instructions fully before starting assembly



# Safety and Care Advice

**Important – Please read these instructions fully before starting assembly**

- Check you have all the components and tools listed on the following pages.
- Remove all fittings from the plastic bags and separate them into their groups.
- Keep children and animals away from the work area, small parts could choke if swallowed.
- Make sure you have enough space to layout the parts before starting.

- During assembly do not stand or put weight on the product, this could cause damage.
- Assemble the item as close to its final position (in the same room) as possible.
- Assemble on a soft level surface to avoid damaging the unit or your floor.
- Parts of the assembly will be easier with 2 people.



- To reduce the likelihood of damaging your product please ensure that your power drill is set on a low torque setting.

## Care and maintenance

- Only clean using a damp cloth and mild detergent, do not use bleach or abrasive cleaners.
- From time to time check that there are no loose screws on this unit.
- This product should not be discarded with household waste. Take to your local authority waste disposal centre.

## Handy Hints

- Assemble all parts and bolts loosely during assembly, only once the product is complete should you fully tighten the bolts
- Regularly check and ensure That all bolts and fittings are tightend properly.

**WARNING**  
**In order to help prevent overturning – please follow these instructions**

To help prevent product toppling over please follow the below steps:-

- Use the anti tip stap or wall fixing method provided (if applicable)
- Do not allow children to climb or hang on the furniture
- Do not open more than one drawer at a time
- Do not place heavy items in the top drawers
- Do not place heavy items on top of the furniture, unless the furniture has been designed for this purpose

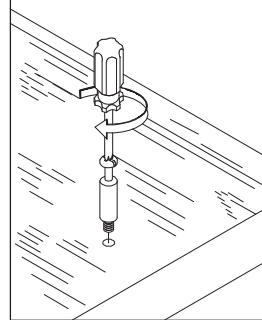
# Using Camlocks

## Step 1

Connect the male camlock as dictated in the assembly instructions using a screwdriver.

1

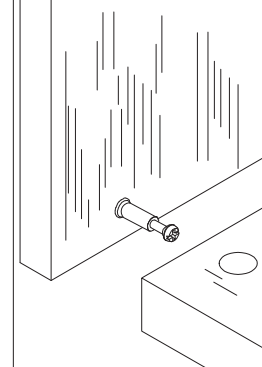
DO NOT OVER TIGHTEN.  
NE PAS SERRER EXCESSIVEMENT.



## Step 2

Push the male camlock into the entry hole.

2

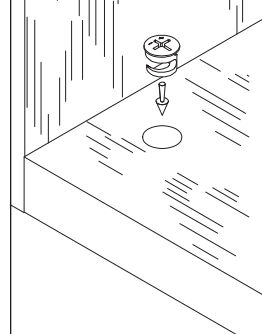


## Step 3

Insert the female camlock as shown in the instruction.

Note: ensure that the arrow on the top of the camlock points towards the entry hole for the male camlock.

3



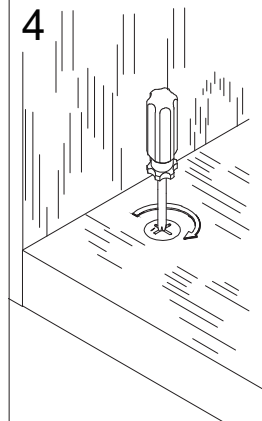
## Step 4

Turn the female camlock clockwise with a screwdriver.

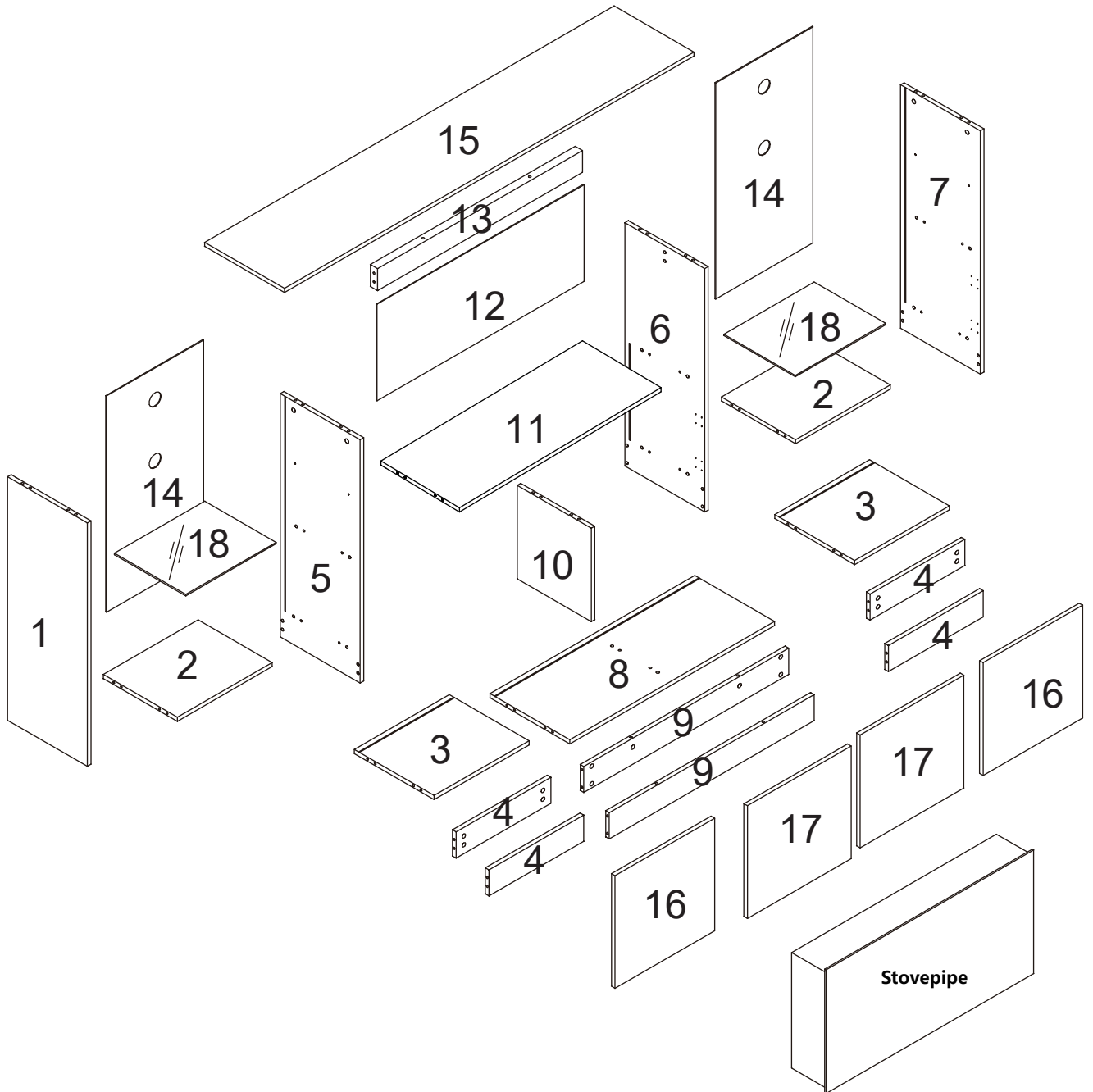
You should feel a click when the camlock is locked in place.

The joint is now secure.

4



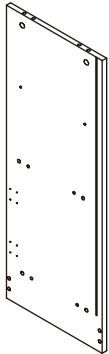
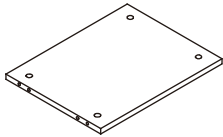
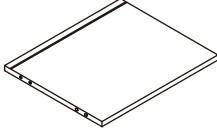
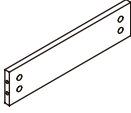
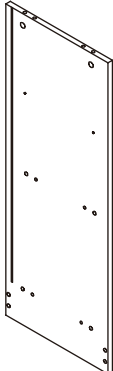
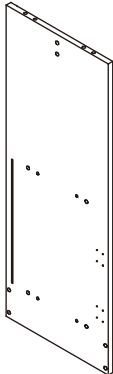
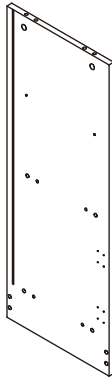
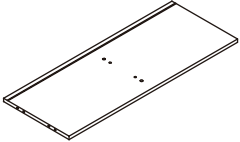
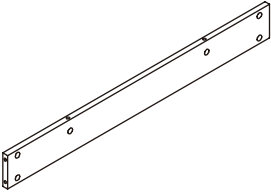
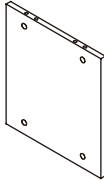
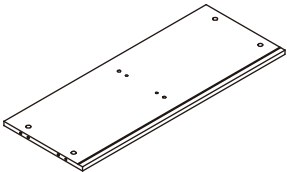
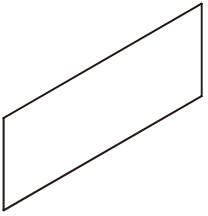
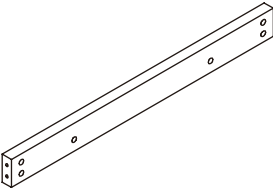
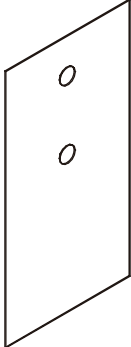
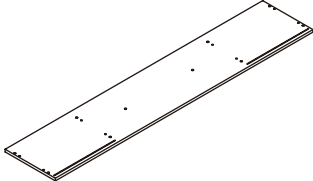
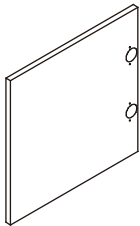
# Assembly Instructions



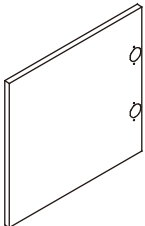
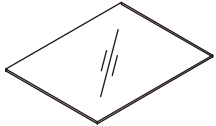
Il y a 2 boîtes de ce produit

**BOX-1: N721P192849**

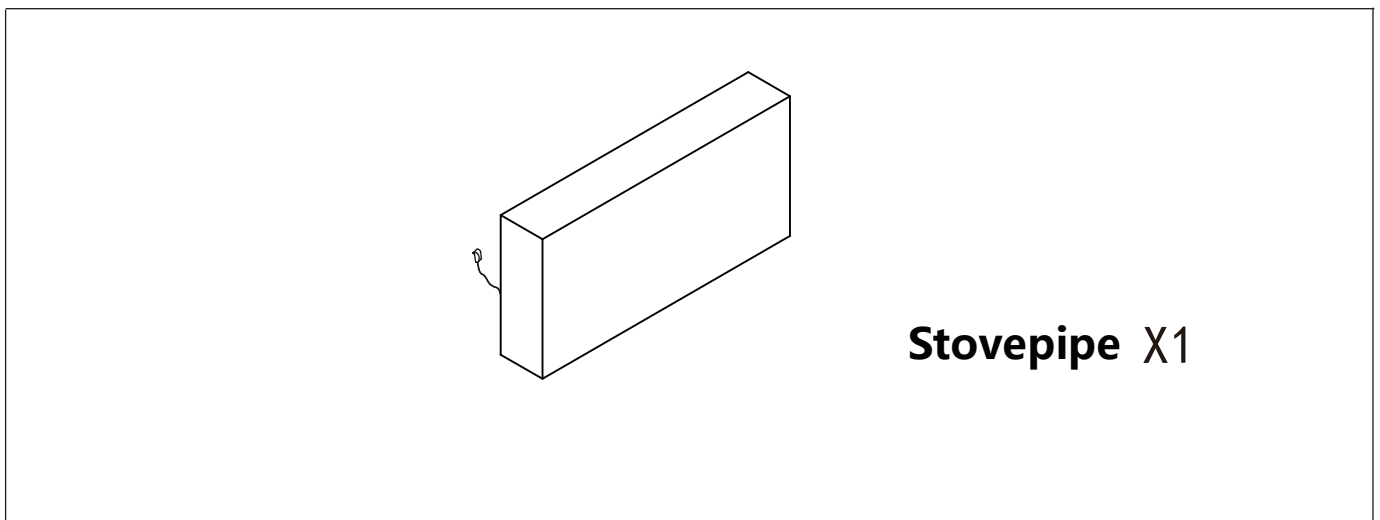
There are 2 boxes of this product

 885x335x15mm	 398x311x15mm	 398x335x15mm	 398x95x15mm
① x 1	② x 2	③ x 2	④ x 4
 885x335x15mm	 885x335x15mm	 885x335x15mm	 860x335x15mm
⑤ x 1	⑥ x 1	⑦ x 1	⑧ x 1
 860x95x15mm	 340x311x15mm	 860x335x15mm	 869x351x3mm
⑨ x 2	⑩ x 1	⑪ x 1	⑫ x 1
 860x80x30mm	 786x408x3mm	 1719x335x15mm	 410x418x15mm
⑬ x 1	⑭ x 2	⑮ x 1	⑯ x 2

# BOX-1: N721P192849

 410x435x15mm	 390x300x5mm		
①7 x 2	①8 x 2		

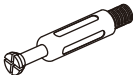

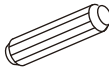

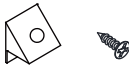
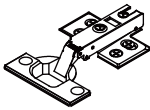
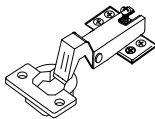


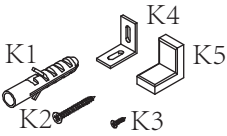

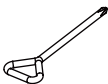
# BOX-2: WF314697



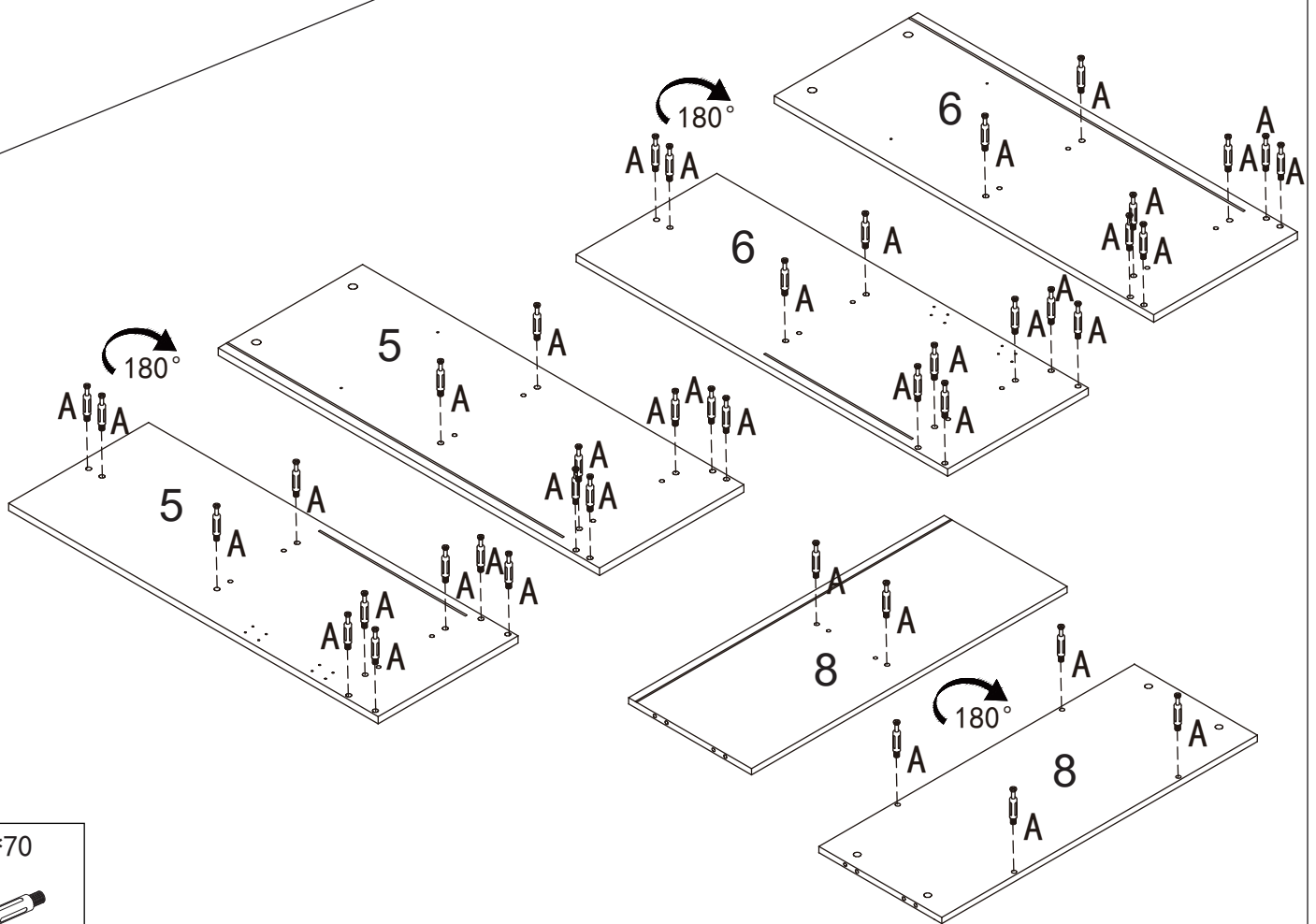
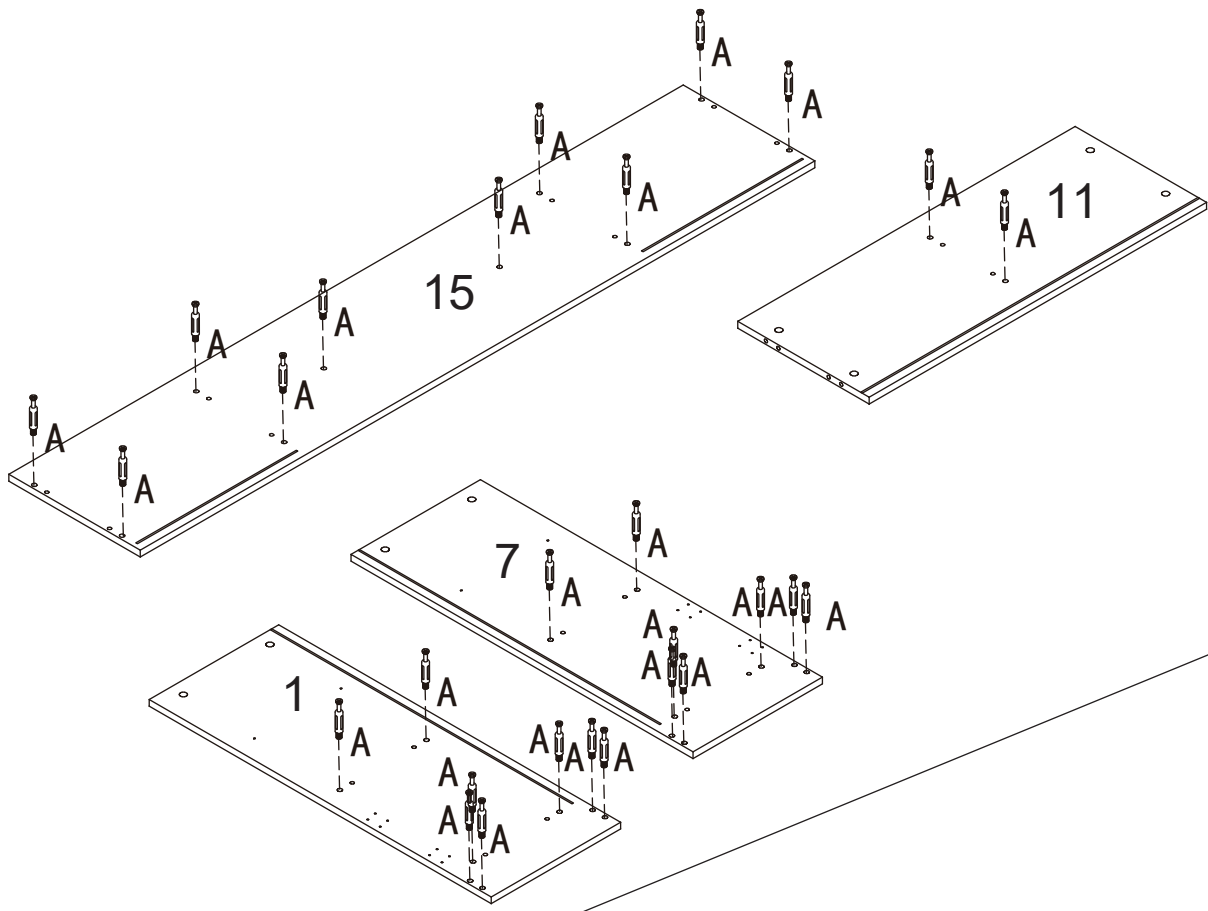
# Components-Fittings

Please check you have all the panels listed below

Note: The quantities below are the correct amount to complete the assembly. In some cases more fittings may be supplied than are required.

<p>(A)</p>  <p>Cam Bolt x 70+3</p>	<p>(B)</p>  <p>Cam Lock x 70+3</p>	<p>(C)</p>  <p>8*30mm Dowel x36+2</p>	<p>(D)</p>  <p>Glass clips x 8</p>
<p>(E)</p>  <p>Back panel buckle x 24+2</p>	<p>(F)</p>  <p>Hinge x 4</p>	<p>(G)</p>  <p>Hinge x 4</p>	<p>(H)</p>  <p>3.5*14mm Screw x 48+3</p>
<p>(J)</p>  <p>felt x 12+2</p>	<p>(K)</p>  <p>Anti dumping x 2 set</p>	<p>(L)</p>  <p>Light Belt x 1</p>	<p>(M)</p>  <p>Screwdriver x 1</p>

# 1.

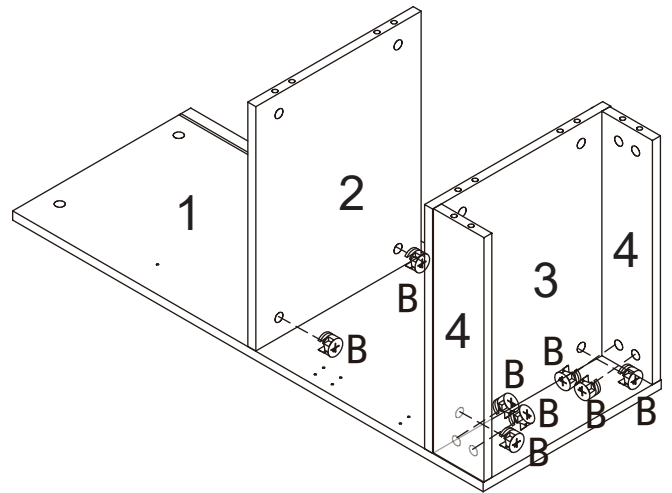
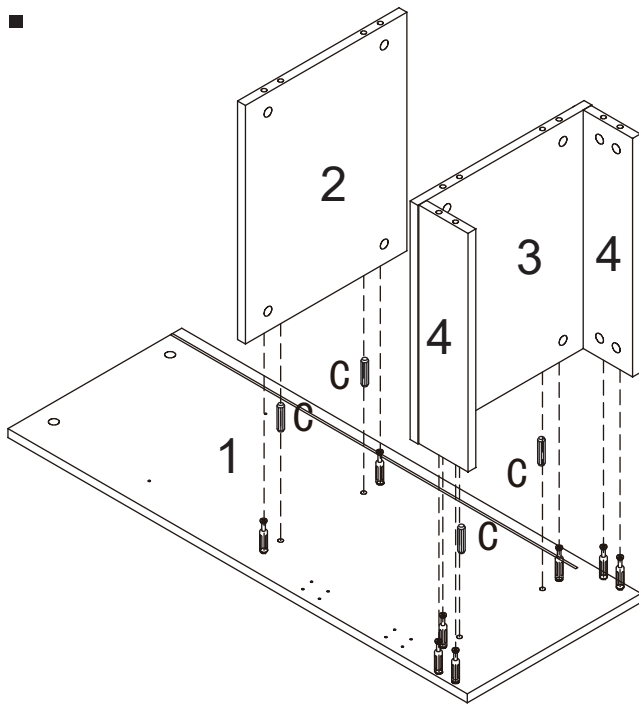


A\*70





# 2.



B\*8

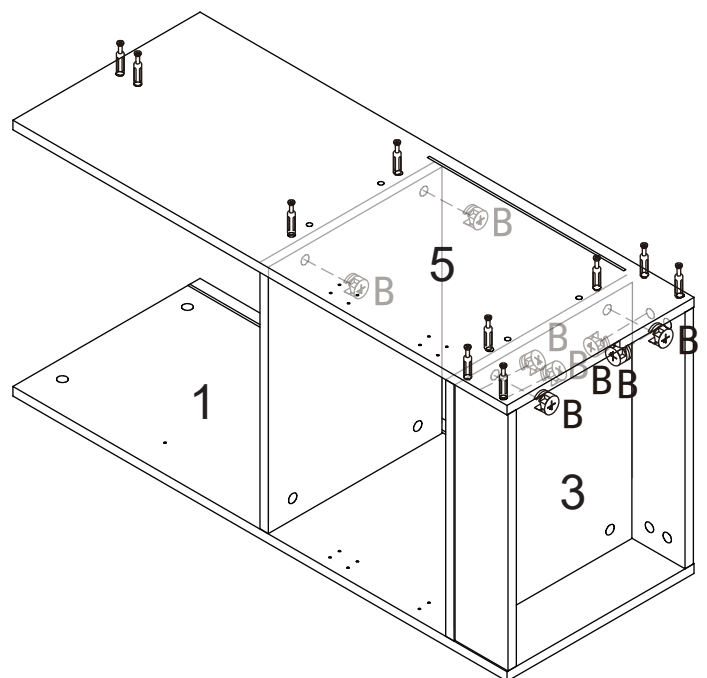
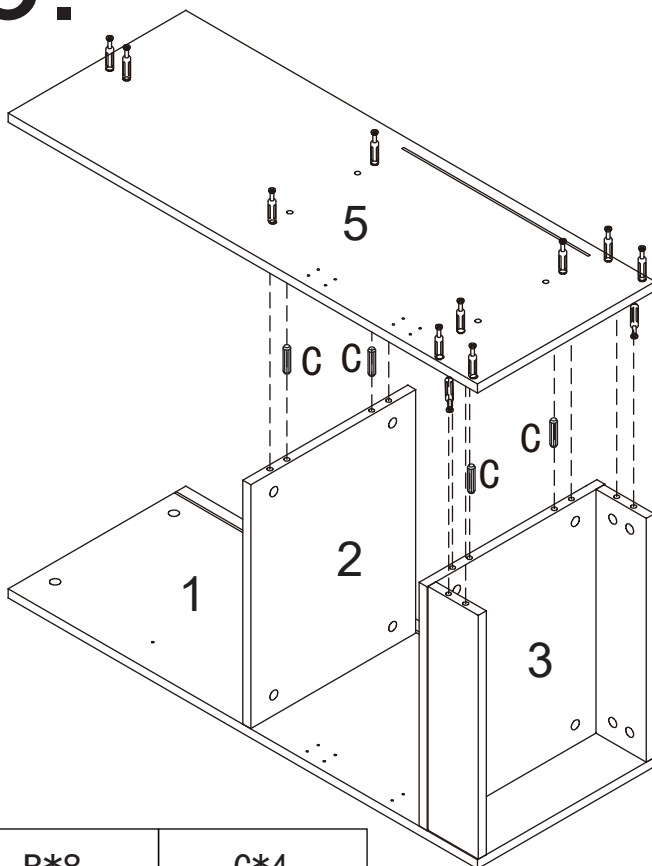


C\*4



Ø8 x 30 mm

# 3.



B\*8

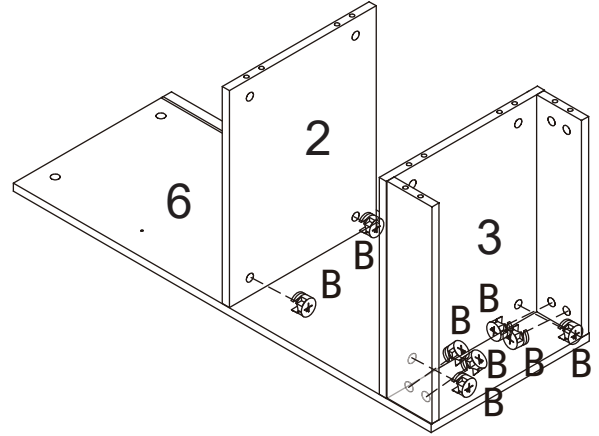
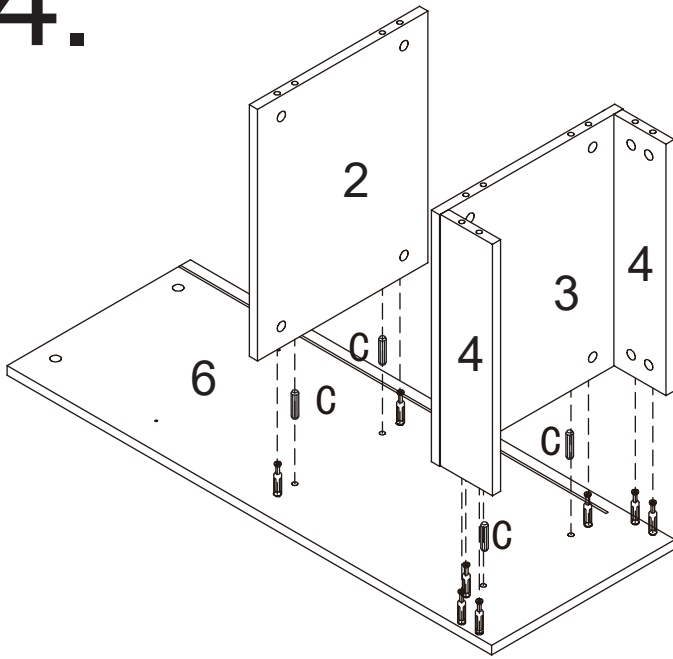




C\*4



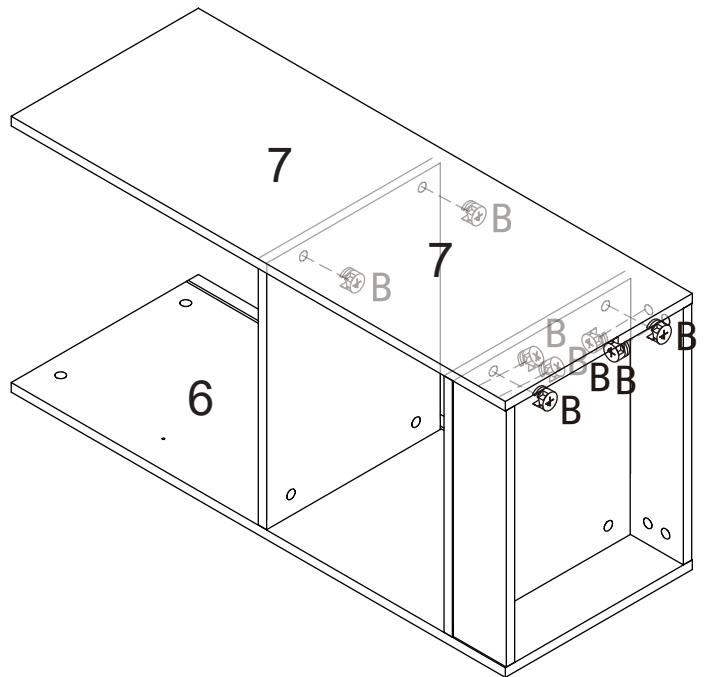
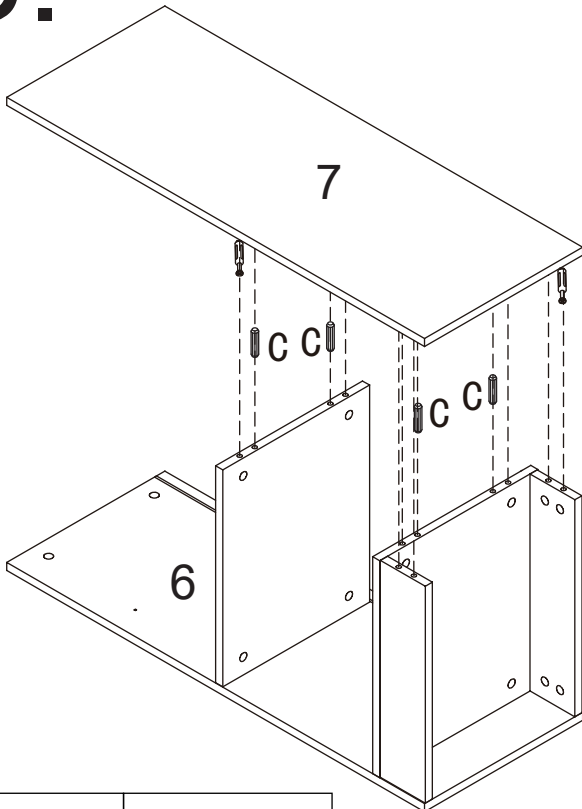
Ø8 x 30 mm



# 4.



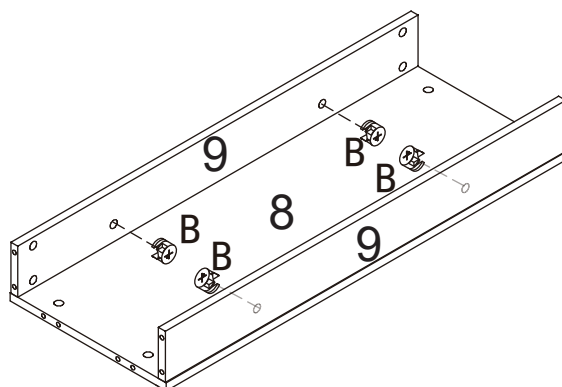
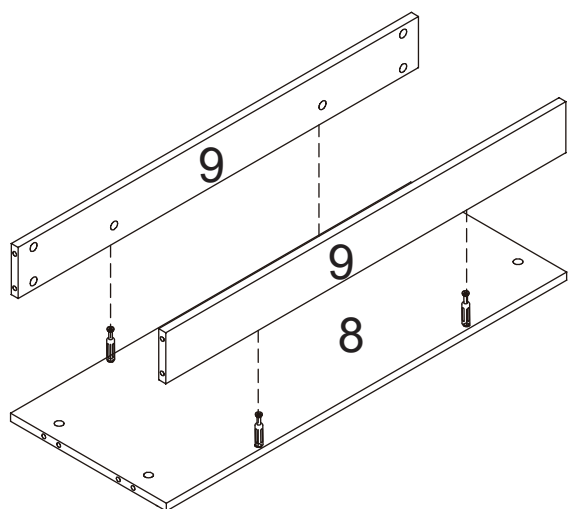
<b>B*8</b> 	<b>C*4</b>  Ø8 x 30 mm
---	--

# 5.



<b>B*8</b> 	<b>C*4</b>  Ø8 x 30 mm
---	---

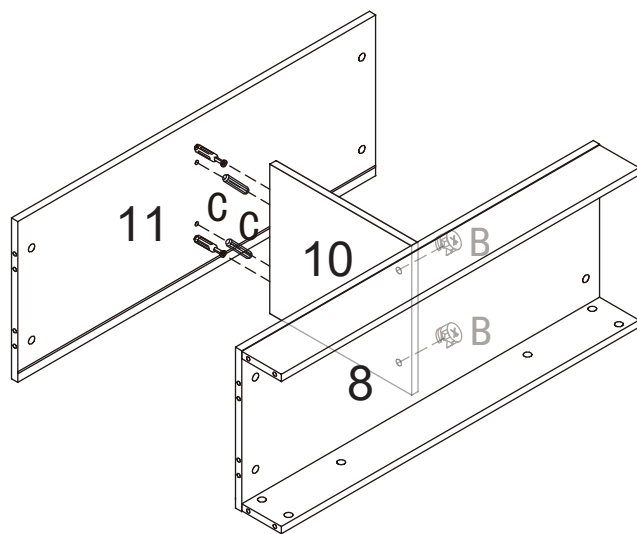
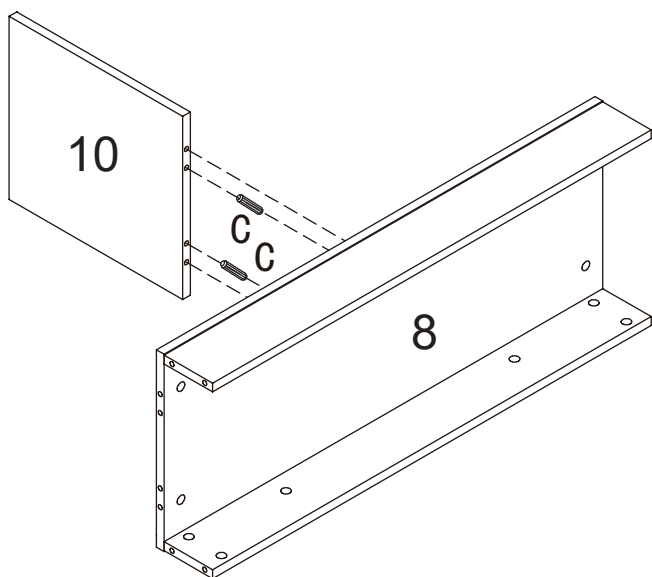
# 6.



B\*4



# 7.



B\*2

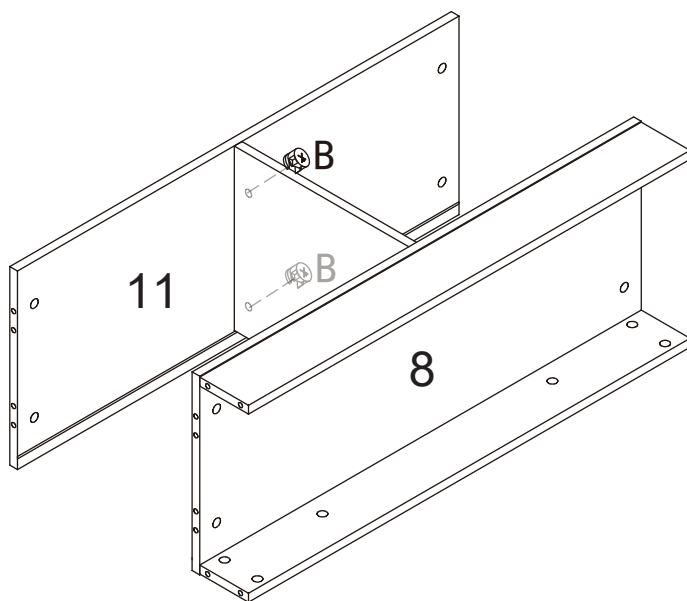


C\*4



Ø 8 x 30 mm

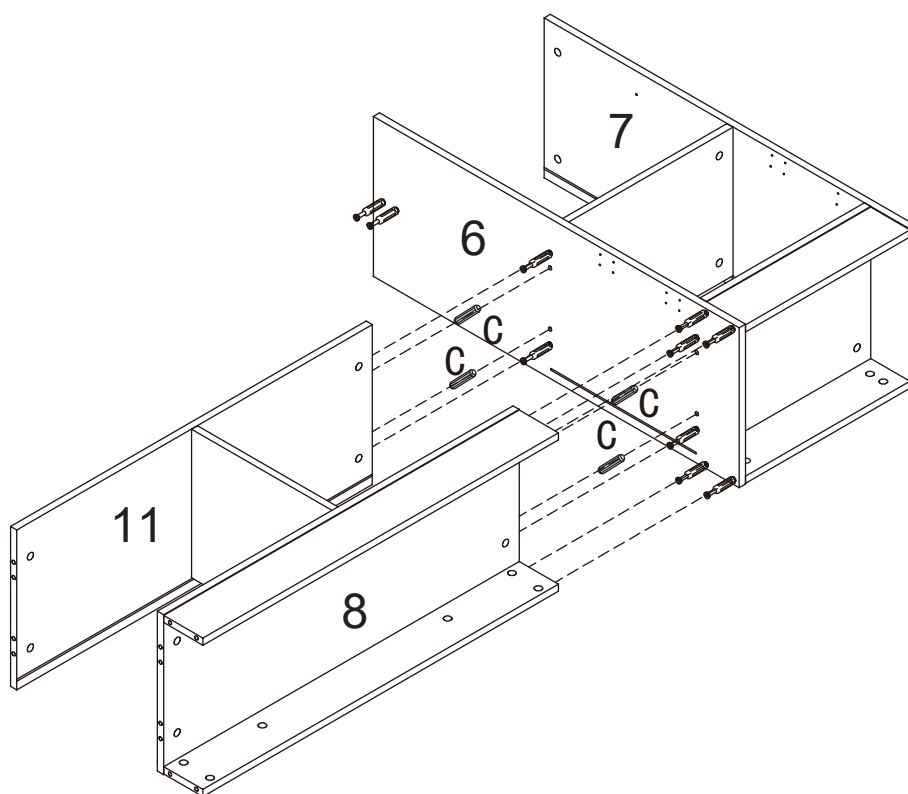
# 8.



B\*2



# 9.

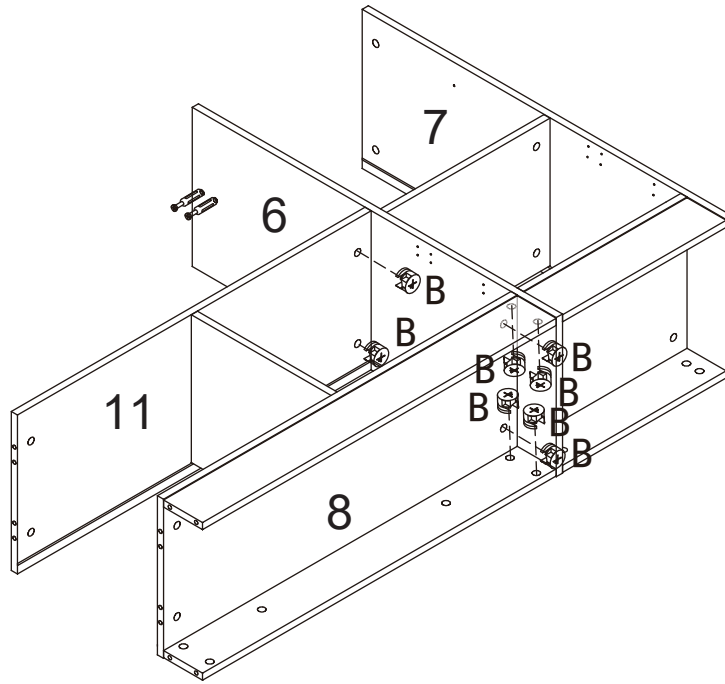


C\*4



Ø8 x 30 mm

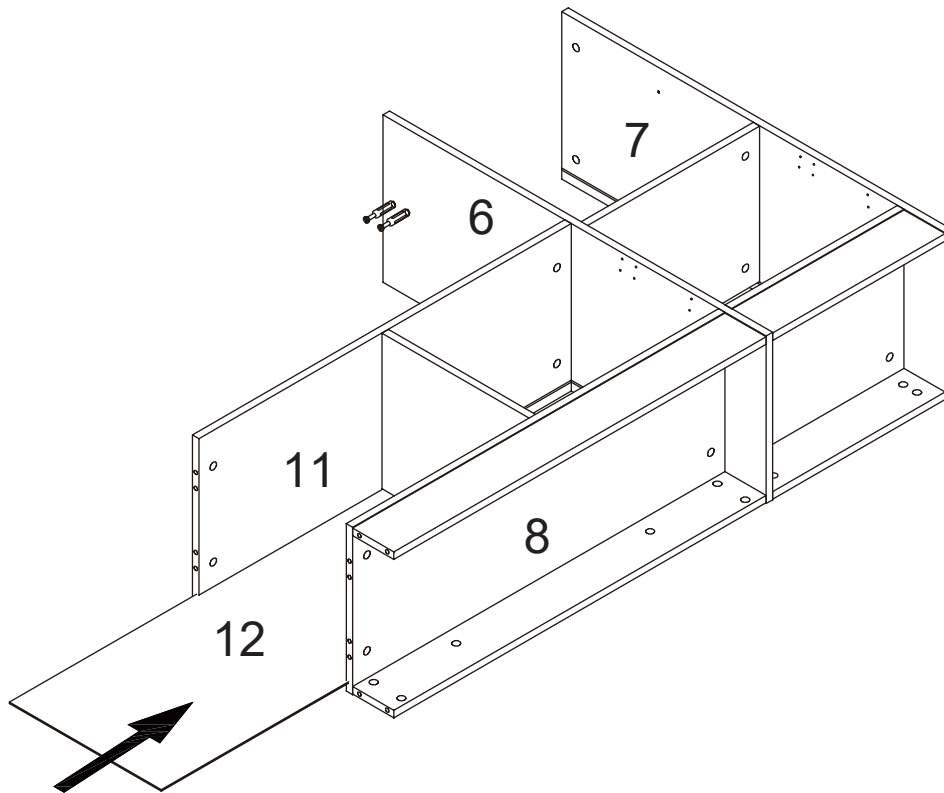
# 10.



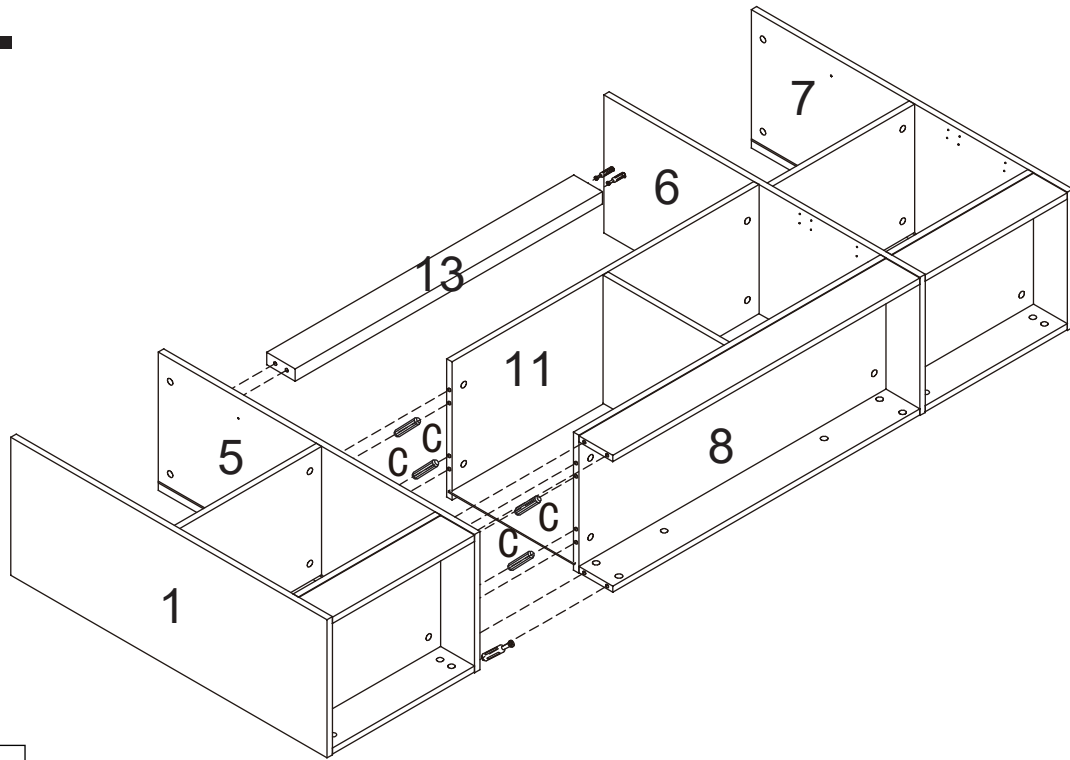
B\*8



# 11.



# 12.

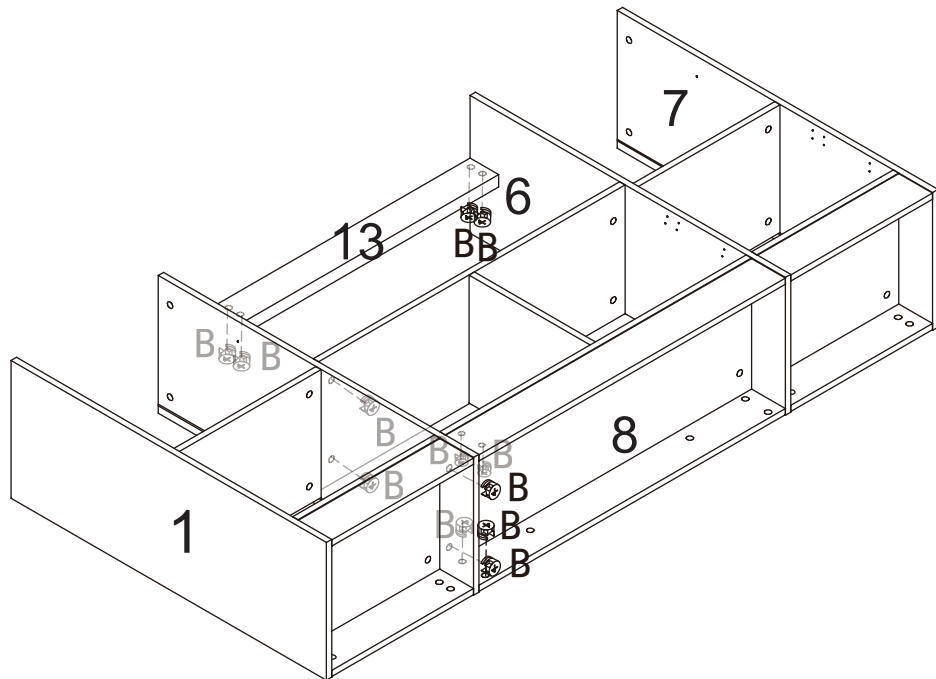


C\*4



∅8 x 30 mm

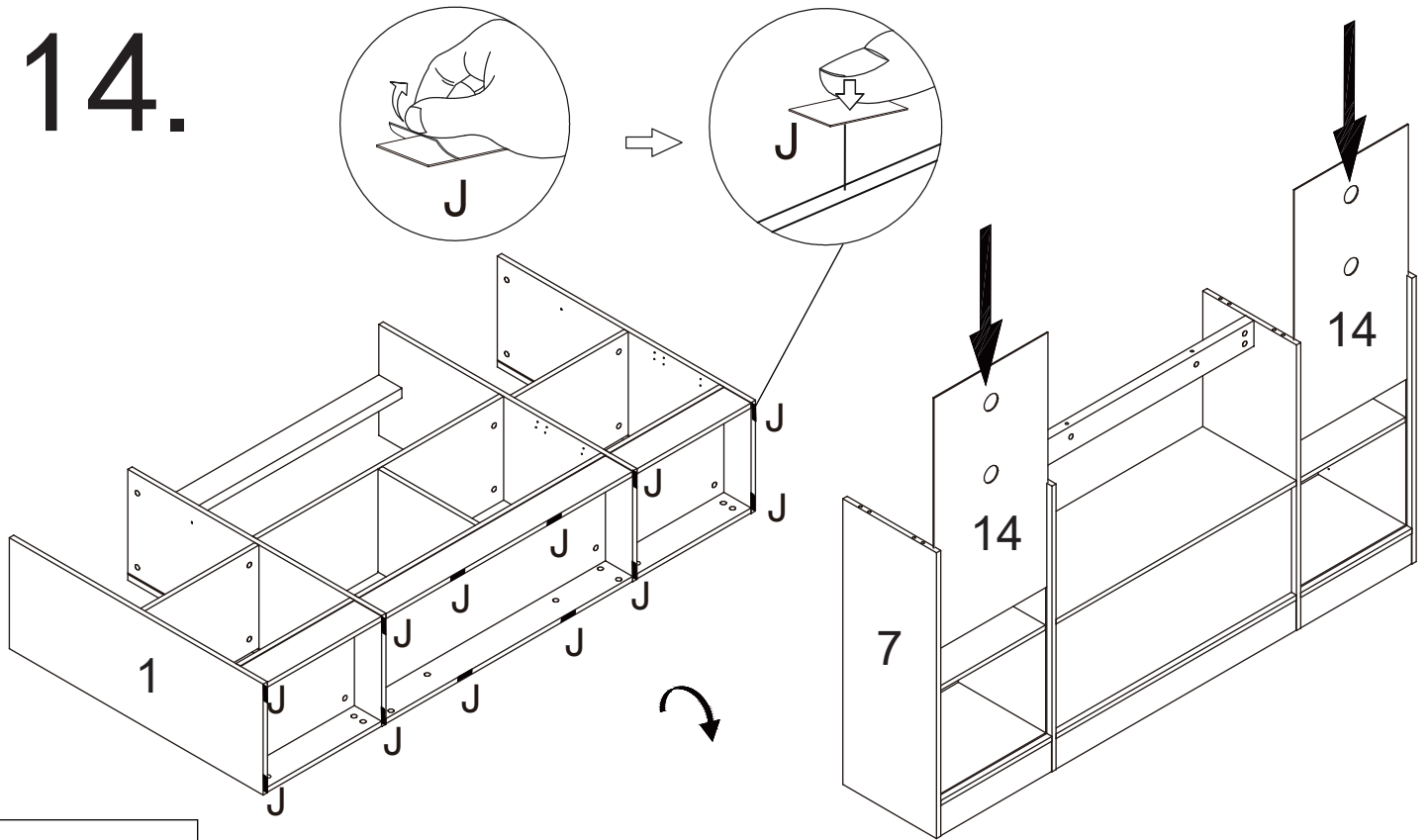
# 13.



B\*12



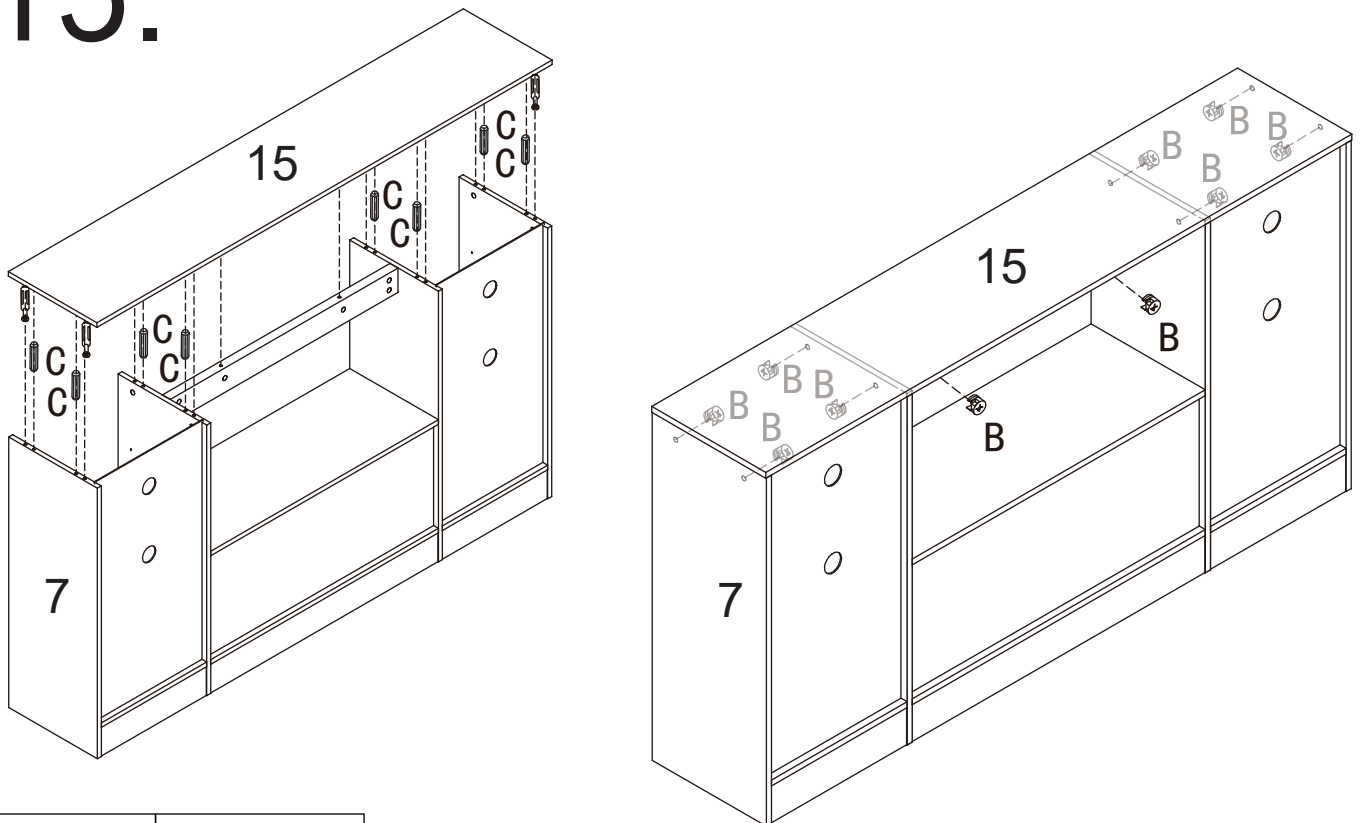
# 14.



J\*12



# 15.



B\*10

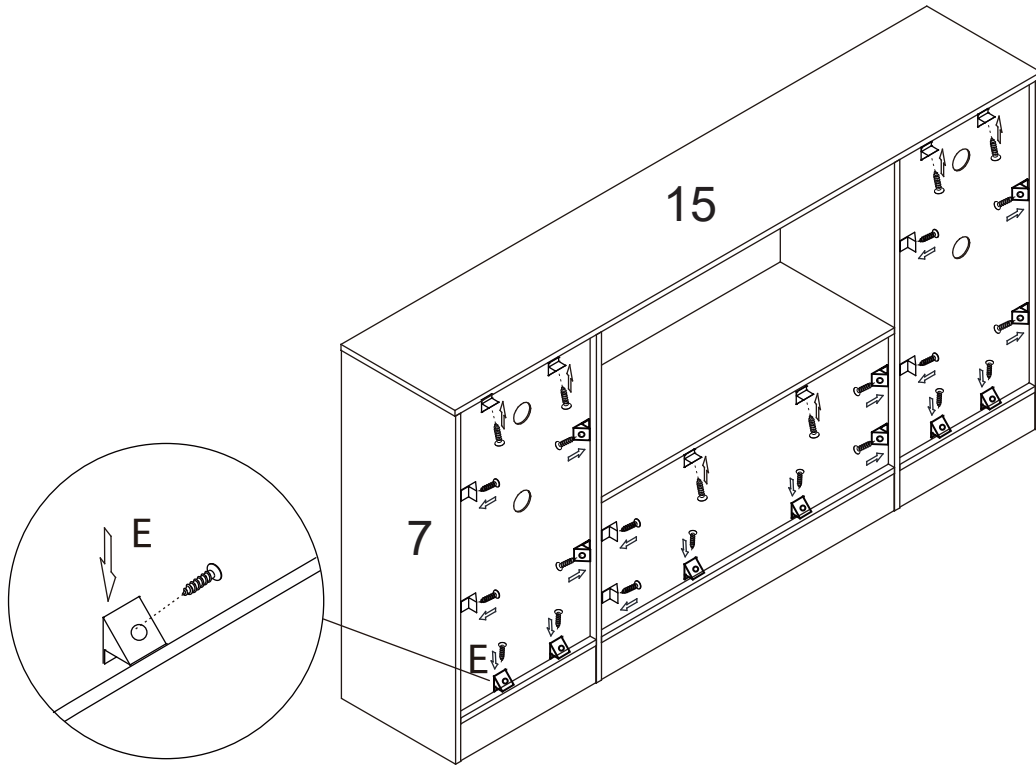


C\*8



Ø8 x 30 mm

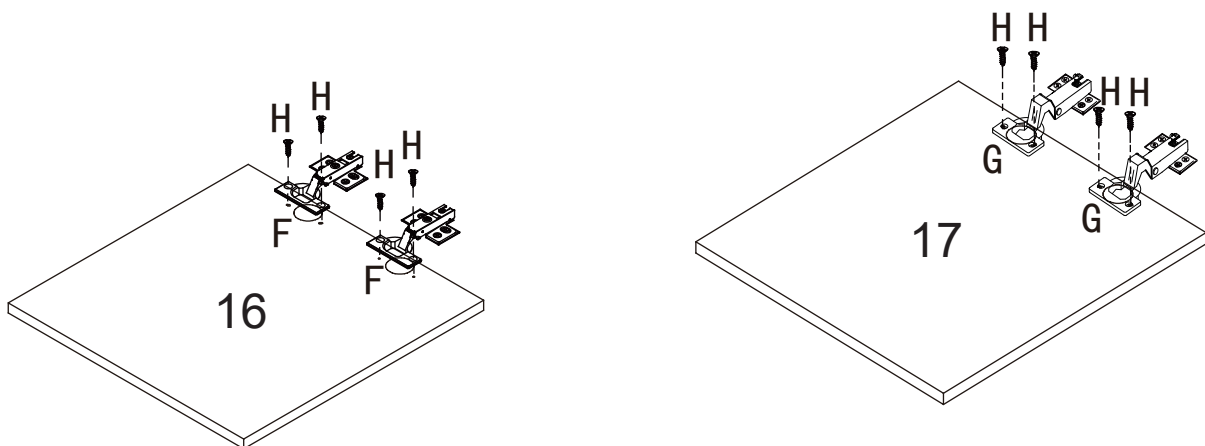
# 16.



E\*24



# 17.X2



H\*16



Ø 3.5 x 14 mm

G\*4



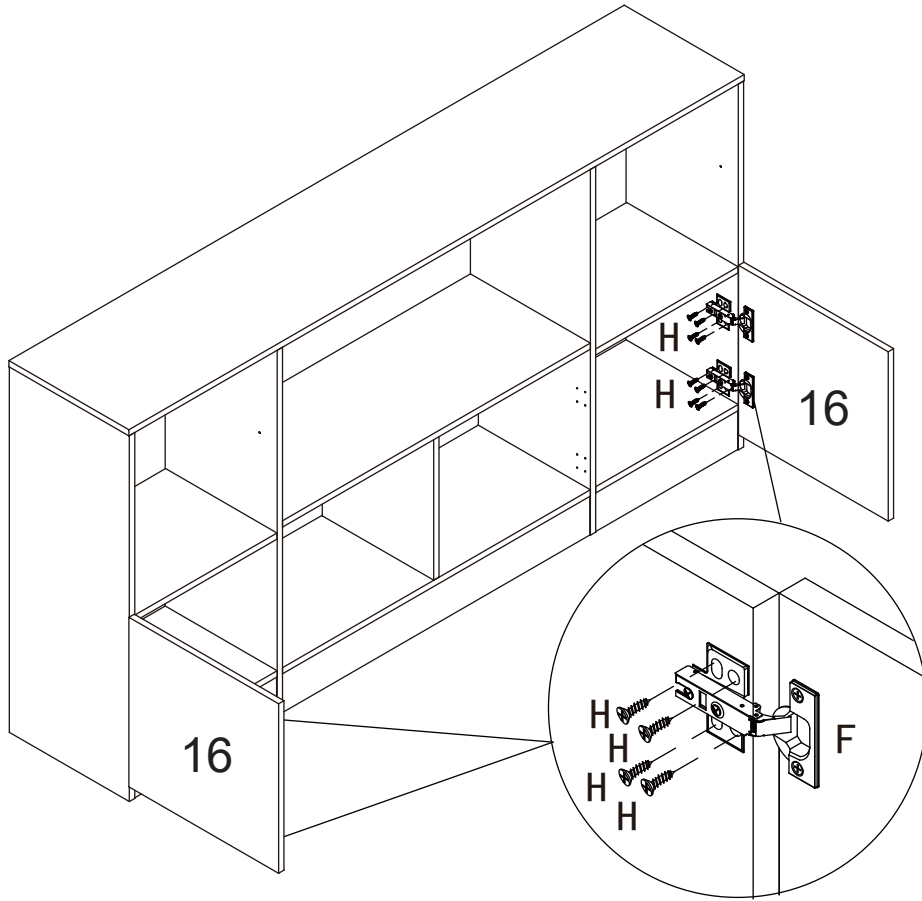
F\*4





# 18.

180°

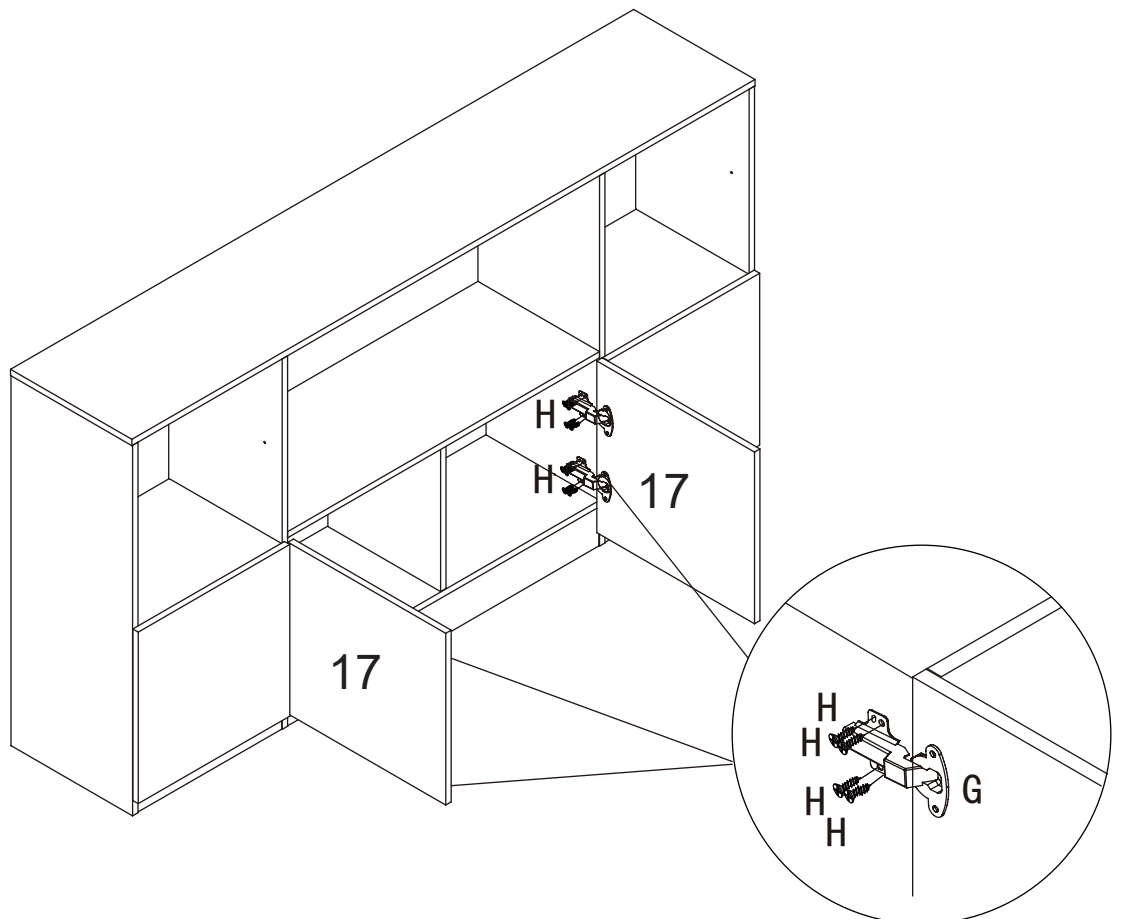


H\*16



Ø 3.5 x 14 mm

# 19.

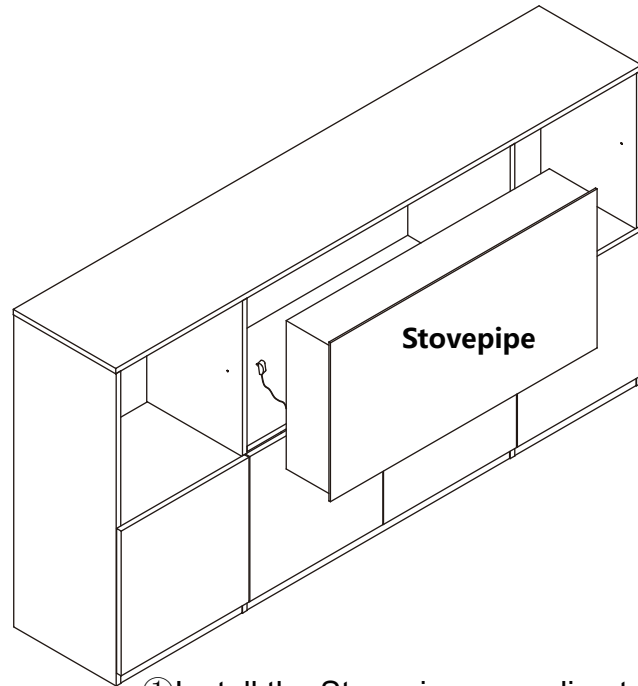


H\*16



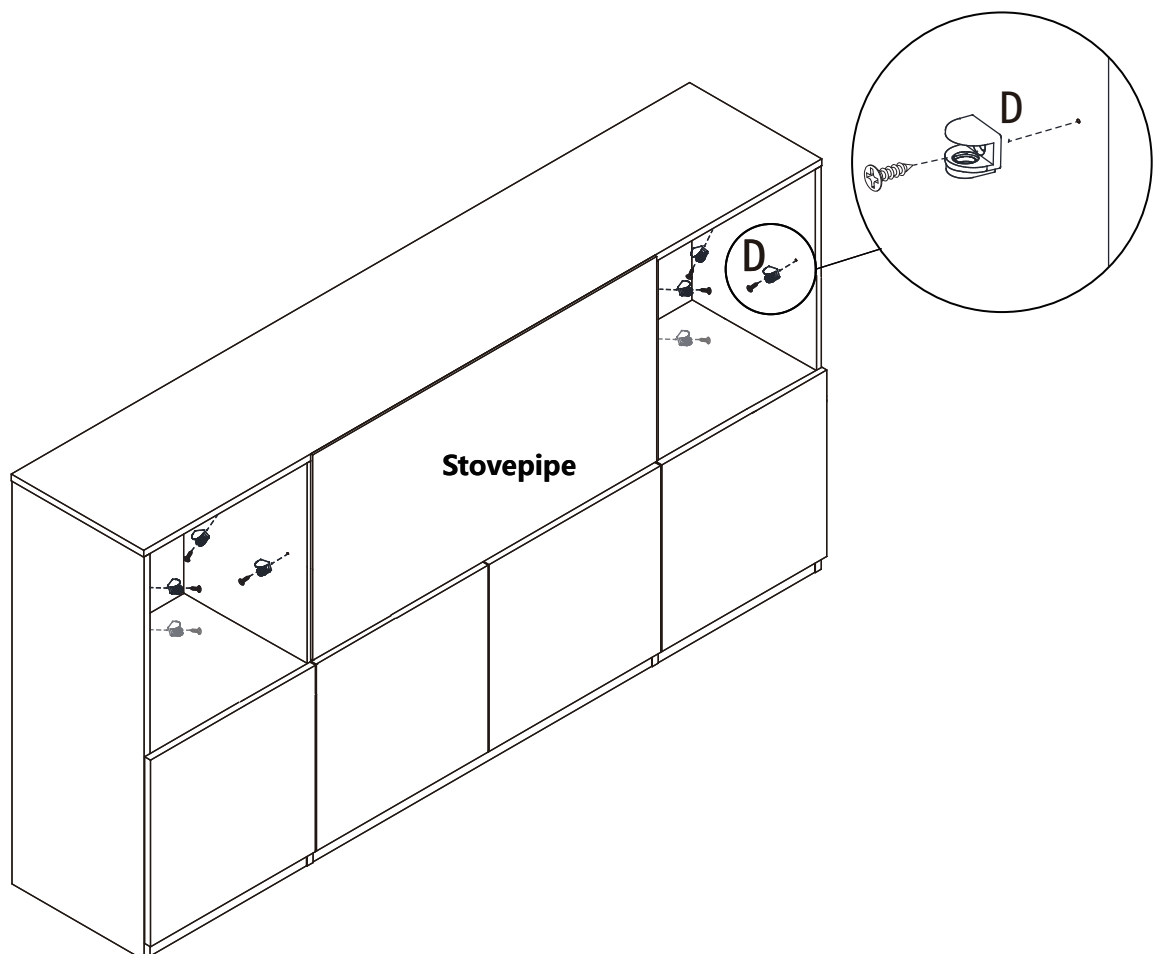
Ø 3.5 x 14 mm

# 20.



- ① Install the Stovepipe according to the Stovepipe instructions
- ② Place the Stovepipe in the middle of the cabinet

# 21.



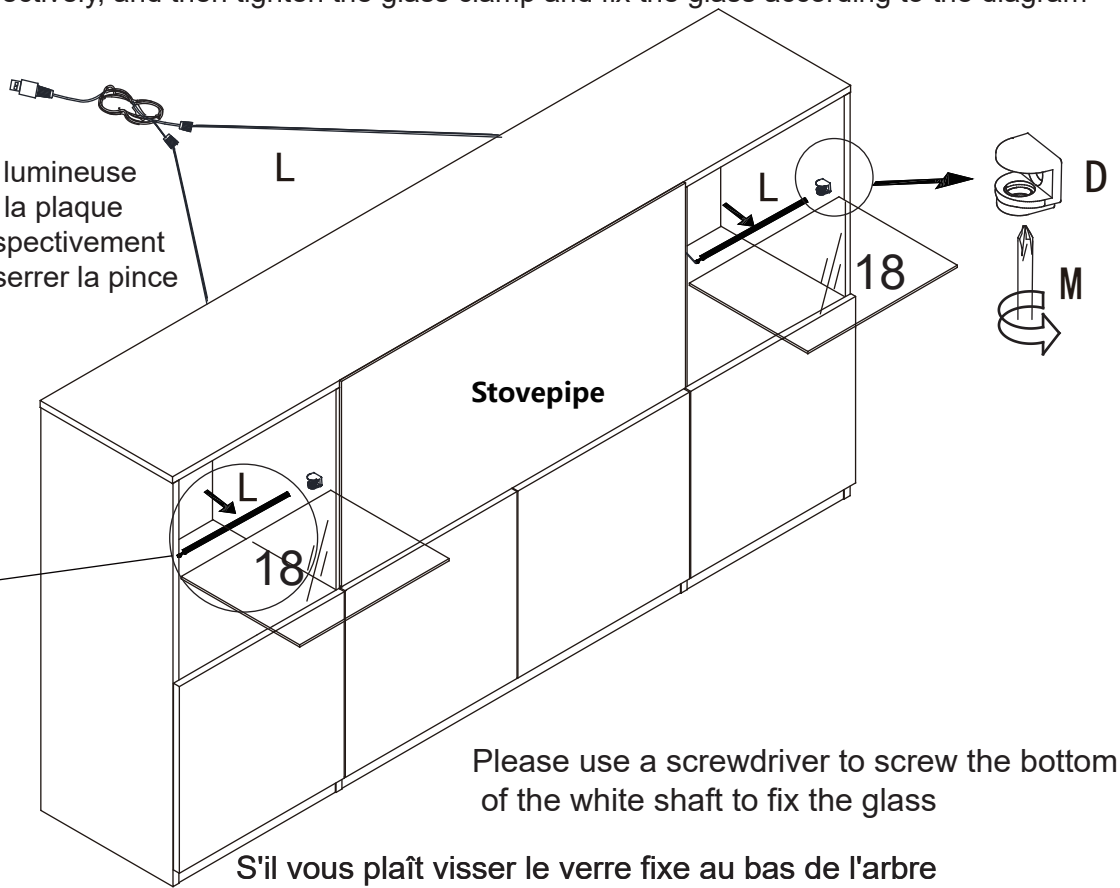
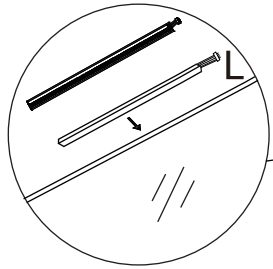
D\*8



# 22.

Please pass the light bar L through the holes on the back plate 14 and clamp them on the No. 18 glass respectively, and then tighten the glass clamp and fix the glass according to the diagram

Veillez passer la barre lumineuse L à travers les trous de la plaque arrière 14 et les fixer respectivement sur le verre n° 18, puis serrer la pince à verre et fixer le verre selon le schéma



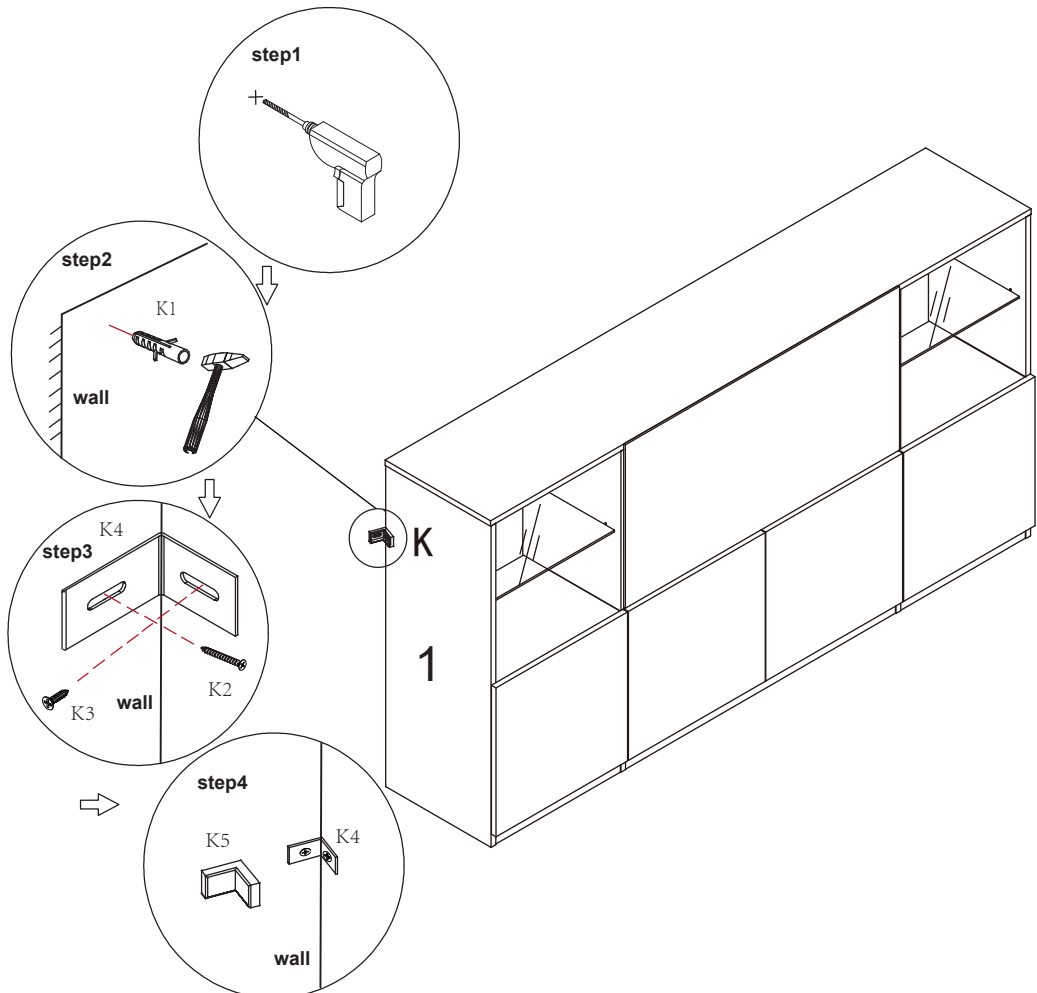
Please use a screwdriver to screw the bottom of the white shaft to fix the glass

S'il vous plaît visser le verre fixe au bas de l'arbre rotatif blanc avec un tournevis

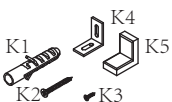
L\*1



# 23.



K\*2



24.

