



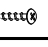




ASSEMBLY INSTRUCTIONS

MODEL : WM1907A-DC

IMPORTANT NOTE : * PLACE ALL WOODEN PARTS ON A CLEAN AND SMOOTH SURFACE SUCH AS A RUG OR CARPET TO AVOID THE PARTS FROM BEING SCRATCHED.
 * BEFORE YOU BEGIN, KINDLY FOLLOW THE ASSEMBLY INSTRUCTIONS STEP BY STEP.
 * DO NOT TIGHTEN ALL SCREWS UNTIL THE CHAIR IS FULLY SET-UP.

HARDWARE LIST	
A	JCBC M6 x 25mm + S/W M6 + F/W M6 x 13mm  4PCS
B	JCBC M6 x 45mm + S/W M6 + F/W M6 x 13mm  4PCS
C	ALLEN KEY M4 (Ball Shape)  1PC
D	L BRACKET  4PCS
E	PH CB SCREW M4 x 12mm  8PCS
F	WOOD DOWEL M8 x 25mm  2PCS
G	PROTECTIVE DISC 22MM  4PCS

PART LIST		
1	RIGHT SIDE FRAME	1PC
2	LEFT SIDE FRAME	1PC
3	FRONT STRETCHER	1PC
4	BACK STRETCHER	1PC
5	TOP REST	1PC
6	CUSHION SEAT	1PC

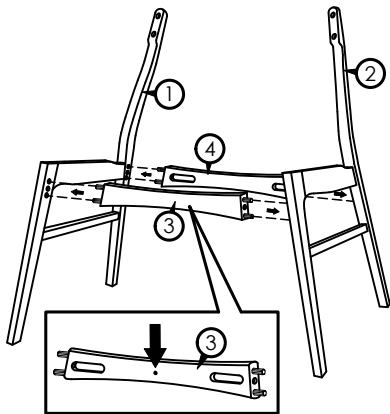
CAUTIONS :

(1) DO NOT FULLY-TIGHTEN THE NUT OR NUT BOLTS INITIALLY UNTIL ALL NUTS OR BOLT IS READY ASSEMBLED.

(TO AVOID CAUSING DAMAGES TO THE THREAD, DO NOT OVER-TIGHTEN THE NUTS OR BOLTS.)

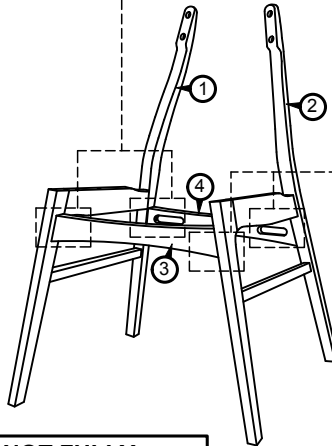
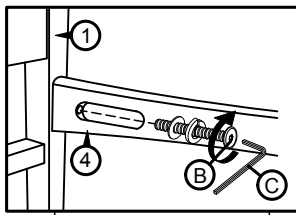
(2) KEEP ALL HARDWARE PART OUT OF REACH OF CHILDREN.

STEP 1



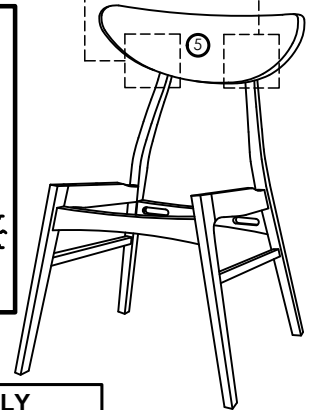
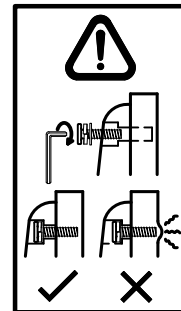
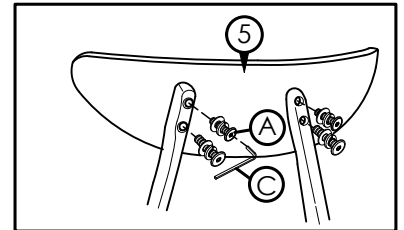
3 Front Stretcher has a small hole for identification.

STEP 2



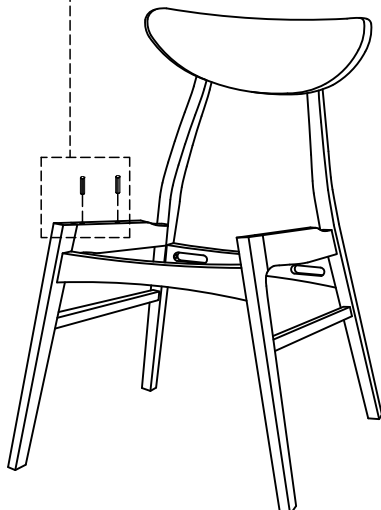
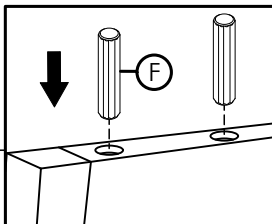
DO NOT FULLY TIGHTEN THE BOLT

STEP 3

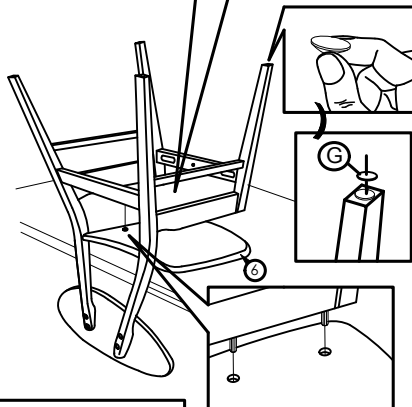
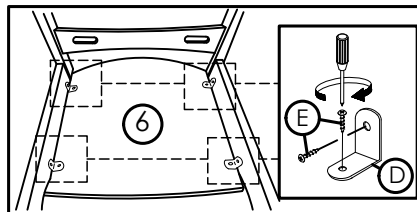


DO NOT FULLY TIGHTEN THE BOLT

STEP 4

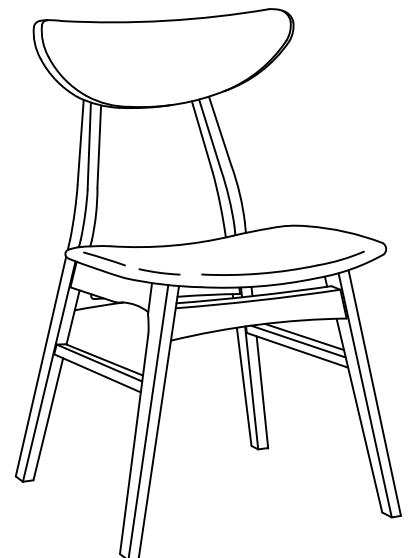


STEP 5



FULLY TIGHTEN ALL BOLTS AND SCREWS

STEP 6



COMPLETED CHAIR ASSEMBLY.